

**BergStik®**

Product Presentation

**Amphenol Information Communications  
and Commercial Products**

**≡FCi Basics**

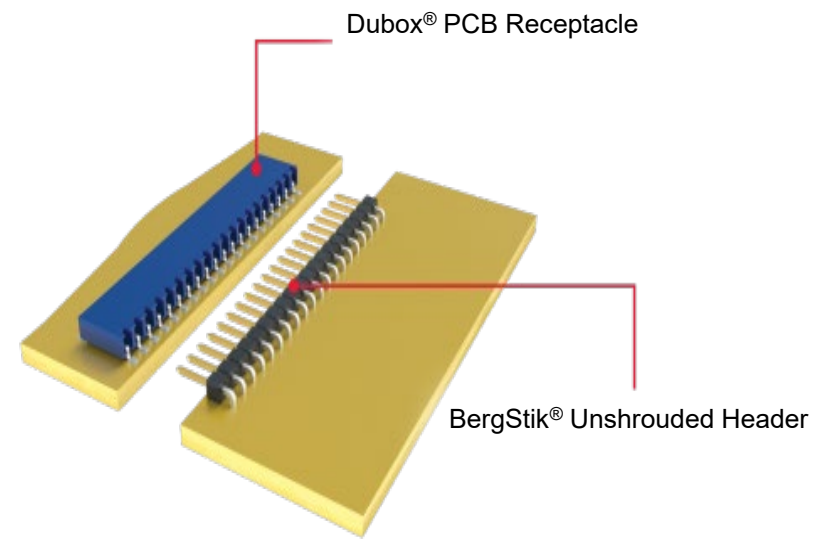
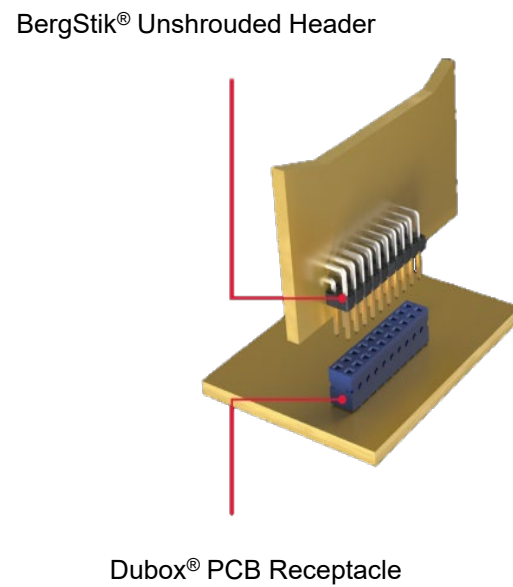
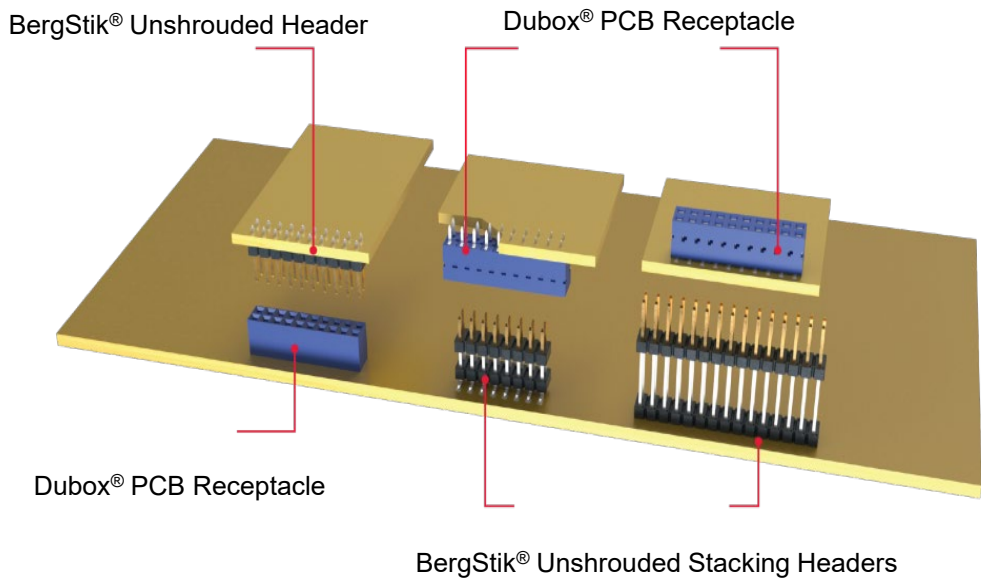
**Amphenol ICC**

- BergStik® is a standard, proven unshrouded header family on 2.54mm pitch, available in through-hole; surface-mount, pin-in-paste and press-fit solder options
- BergStik® comes in single and double row; straight or right-angle orientation with to 2 to 72 positions and stack heights up to 65 mm
- BergStik® “breakaway” design enables each connector to be easily cut or broken at the required length
- BergStik® is capable of carrying up to 3A per contact

## Vertical

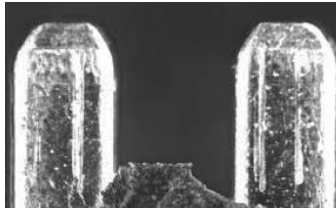
## Right-Angle

## Coplanar

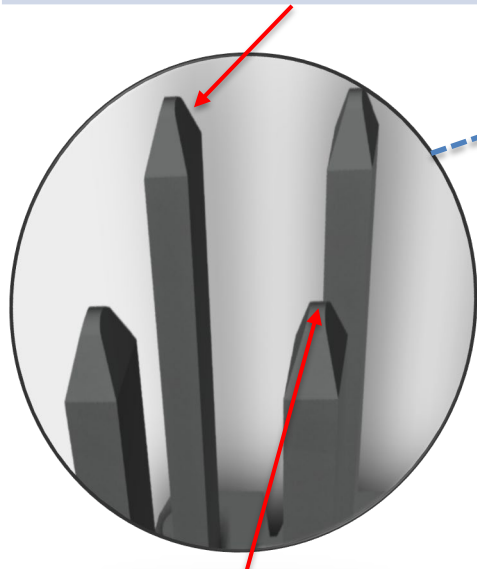


Stamped pin tip from drawn wire with perfect symmetry and no burr

- ✔ Perfect symmetry
- ✔ Smoother insertion
- ✔ High numbers of mating cycles
- ✔ No metal burrs on the edges

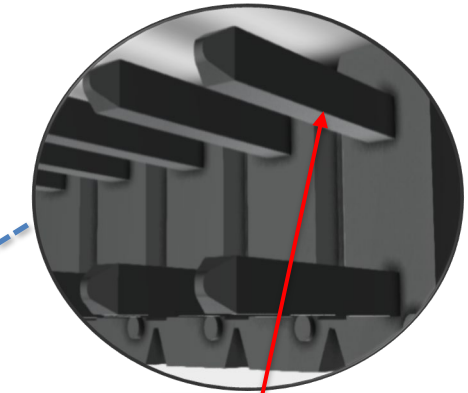


Example of uneven pin tips



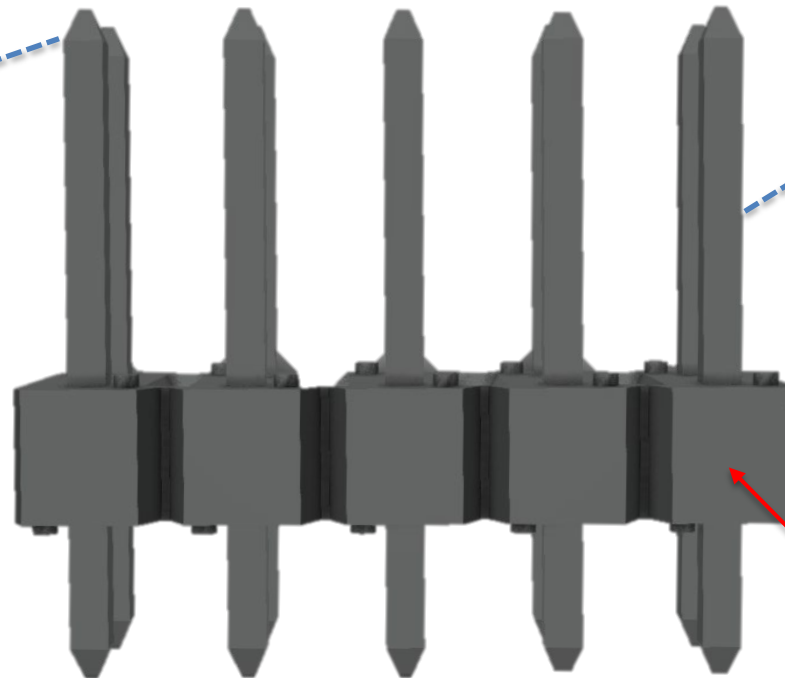
Selective plating

- ✔ Cost efficient plating process
- ✔ Controlled porosity



Coined drawn wire with regular section and geometry

- ✔ Optimized plating
- ✔ Reduced risk of whiskers, bumps
- ✔ No risk of peeling for the plating



Nickel underlayer applied on the whole pin

- ✔ No air exposure
- ✔ Limited risk of corrosion





Example of damaged pin plating

Features	Benefits
High Temperature thermoplastic material	<b>Reflow</b> Compatible
Variable spacing height for Stacking Headers	Meets your needs for a <b>wide range</b> of applications
Allow dual entry mating from top or bottom	Suitable for <b>mezzanine applications</b> with extra flexibility in case of different stack height requirements
Drawn (not stamped) 0.64mm square wire presenting 4 equal quality surfaces	Can be used for <b>wire wrapping</b>
Stand offs design	Allow <b>cleaning</b> to eliminate soldering contaminations
Selective plating	Cost efficient, while maintaining <b>excellent performance</b>
Tin-Lead plating in press-fit area	<b>Easy pin insertion</b> on the PCB
Retention Legs Optional	<b>Higher retention</b> on your PCB
Flexible press-fit pin designed to fit the same 1.02mm diameter hole as the solder to board product	<b>Same layout</b> on TMT and Press Fit
According to DIN 41651 specification, HE13 and BT D2632	<b>Industry qualified</b> , proven products

# BergStik® - Board-to-Board configuration

## Overview - Vertical configuration



### BergStik® Vertical Unshrouded Header Single Row

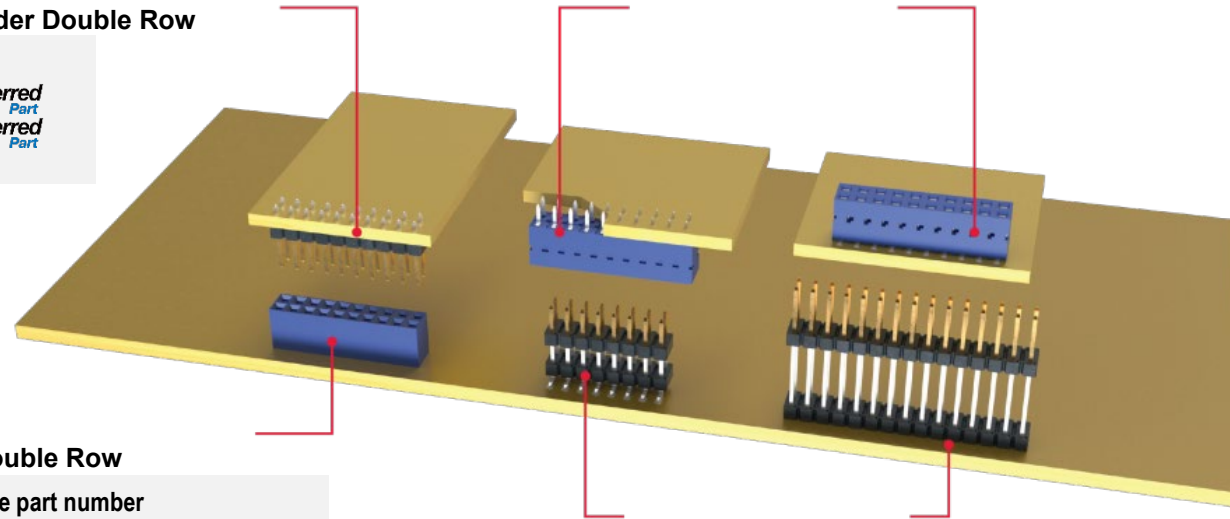
Type	Base part number
Single Row TMT	77311 
Single Row SMT	95293 
Single Row Press-Fit	93689

### Dubox® Vertical Receptacle Single Row

Type	Base part number
Single Row TMT	75915
Single Row SMT	91601
Single Row SMT (w/ pegs)	91614

### BergStik® Vertical Unshrouded Header Double Row

Type	Base part number
Double Row TMT	77313 
Double Row SMT	95278 
Double Row Press-Fit	93690



### Dubox® Vertical PCB Receptacle Double Row

Type	Base part number
Double Row TMT	87606
Double Row SMT	89898
Double Row SMT (w/ pegs)	91618

### BergStik® Vertical Unshrouded Stacking Header

Type	Base part number
Single Row Stacking, TMT	54121
Double Row Stacking, TMT	54122
Double Row Stacking, SMT	54242



- ✓ Available at distributors
- ✓ Shortest lead-times
- ✓ Industrial standard & proven solutions

# BergStik® - Board-to-Board configuration

## Overview – Right-Angle configuration

### Dubox® Horizontal PCB Receptacle Single Row

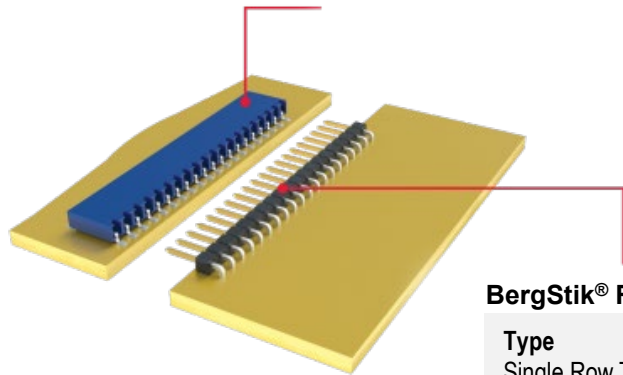
Type	Base part number
Single Row TMT	89882
Single Row SMT	71607
Single Row SMT (w/ pegs)	10119678

### Dubox® Horizontal PCB Receptacle Double Row

Type	Base part number
Double Row TMT	89883
Double Row SMT	71609

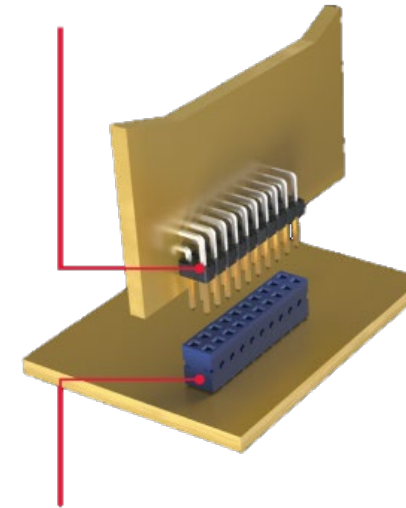
### BergStik® Right-Angle Unshrouded Header Single Row

Type	Base part number
Single Row TMT	77315
Single Row PiP	10082201
Single Row SMT	10119333
Single Row SMT (w/ pegs)	10119332



### BergStik® Right-Angle Unshrouded Header Double Row

Type	Base part number
Double Row TMT	77317
Double Row PiP	10082202
Double Row SMT	10118084
Double Row SMT (w/ pegs)	10118085



**Preferred Part**

- ✓ Available at distributors
- ✓ Shortest lead-times
- ✓ Industrial standard & proven solutions

### Dubox® Vertical Receptacle Single Row

Type	Base part number
Single Row TMT	75915
Single Row SMT	91601
Single Row SMT (w/ pegs)	91614

### Dubox® Vertical PCB Receptacle Double Row

Type	Base part number
Double Row TMT	87606
Double Row SMT	89898
Double Row SMT (top entry w/ pegs)	91618

## Material

- Housing: High Temperature Thermoplastic, Black
- Flammability Rating: UL94V-0
- Pin: Phosphor-bronze
- Plating: Gold / GXT or Tin over 1.27µm (50µ") nickel

## Environmental

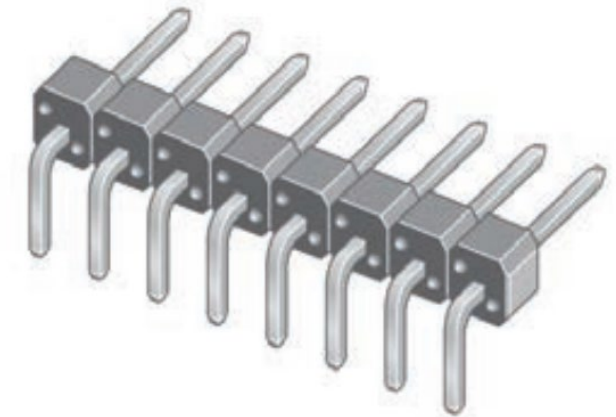
- Operating Temperature: -65°C to +125°C

## Electrical Performance

- Current Rating: 3A continuous
- Insulation Resistance: 5000 MΩmin.
- Dielectric Withstanding Voltage: 1500V

## Mechanical Performance

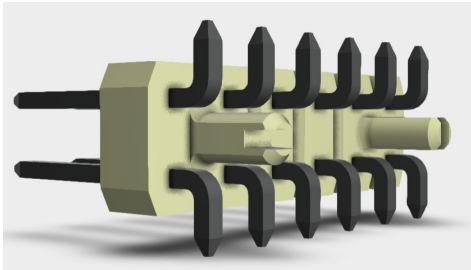
- Pin Retention to Housing: 9N min



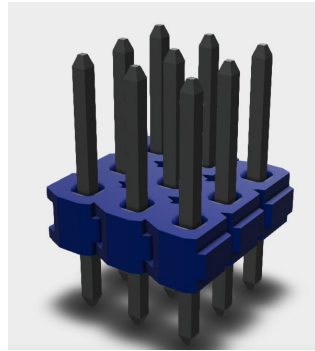


# Accessories & options

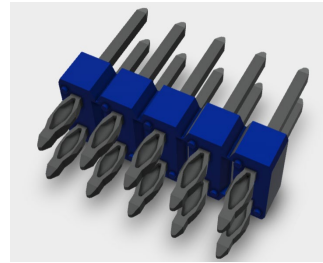
## BergStik® range



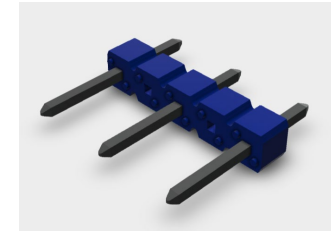
Locating peg



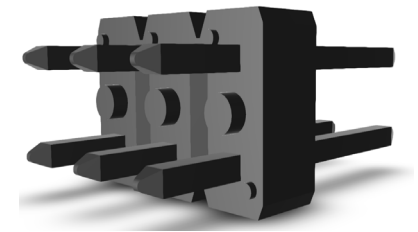
Stackable headers



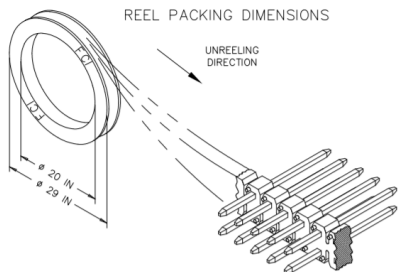
Press-Fit



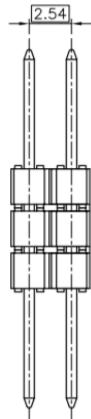
Selective loading



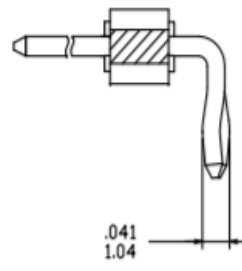
Pin Paste



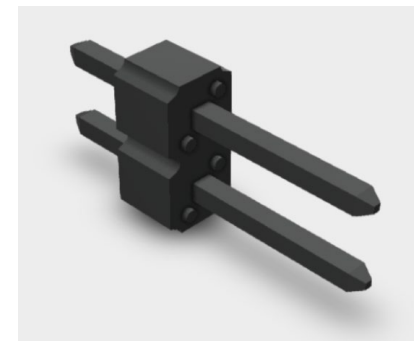
Bergstrip® endless reel



Triple body



Retention legs



ECONOSTIK® series  
full gold flash plating  
(0.025µm)



Jumper series

### Industrial

- Industrial Automation
- Instrumentation
- Medical
- Gaming
- Vending Machines



### IT/Datacom

- Servers
- Communication Equipment

### Automotive

- Electronic Control Systems

- BergStik® web [product landing page](#)
- BergStik® [datasheet](#)
  
- BergStik® Selective plated headers [product specification](#)
  
- BergStik Stacking Headers TMT [product configurator](#)
  
- BergStik® Single Row Right-Angle TMT [product configurator](#)
- BergStik® Double Row Right-Angle TMT [product configurator](#)
  
- BergStik® Vertical Unshrouded Headers TMT; SMT [product configurator](#)
- BergStik® Vertical Unshrouded Headers PiP [product configurator](#)
  
- BergStik® Single Row Press-Fit [product configurator](#)
- BergStik® Double Row Press-Fit [product configurator](#)

- Header *Housing with pins (male connector)*
- Receptacle *Female housing*
- Terminal *Crimp-to-Wire contact*
- Vertical *Connection axis perpendicular to the board*
- Horizontal *Connection axis parallel to the board*
- SMT  *Surface-Mount Technology*
- TMT  *Through-Mount Technology*
- PiP *Pin-in-Paste*
- Low-profile *Connector with small height dimensions*
- Bottom entry *Connection through the lateral side of the receptacle*
- Top entry *Connection through the upper side of the receptacle*
- Locating peg *Feature to be positioned on PCB holes for better alignment*

The top portion of the slide features a complex, low-poly geometric pattern in various shades of blue, ranging from dark navy to light sky blue. The pattern consists of numerous overlapping triangles and polygons, creating a textured, crystalline effect.

**Thank you**