

Minitek® 2.00 Blind Mate Interface

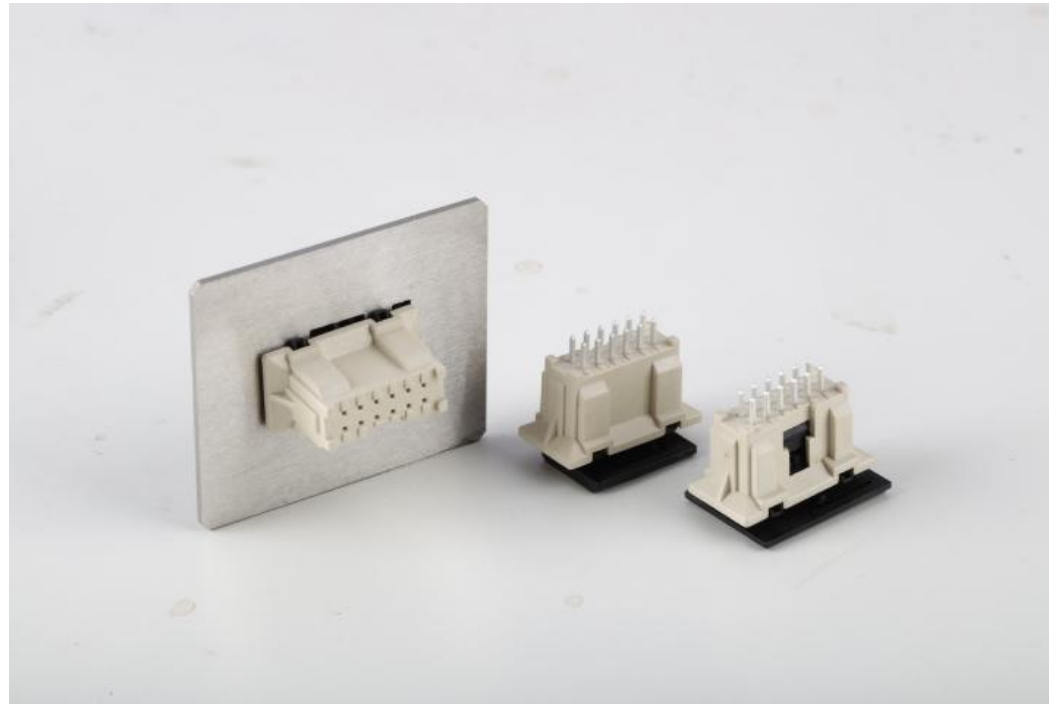
Product Presentation

Amphenol Information Communications
and Commercial Products

 **FCi Basics**

Amphenol ICC

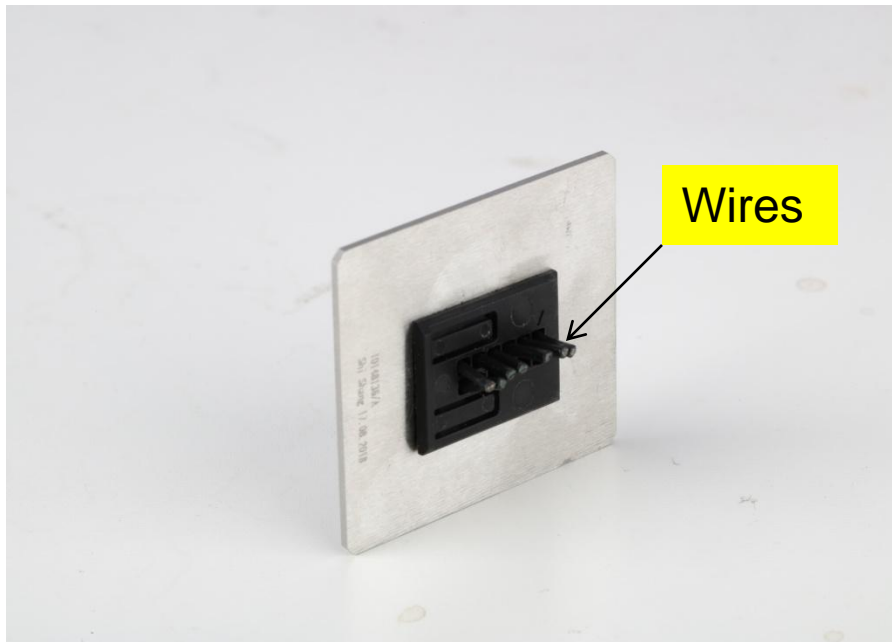
- **Minitek® 2.00 Blind Mate Interface (BMI)**



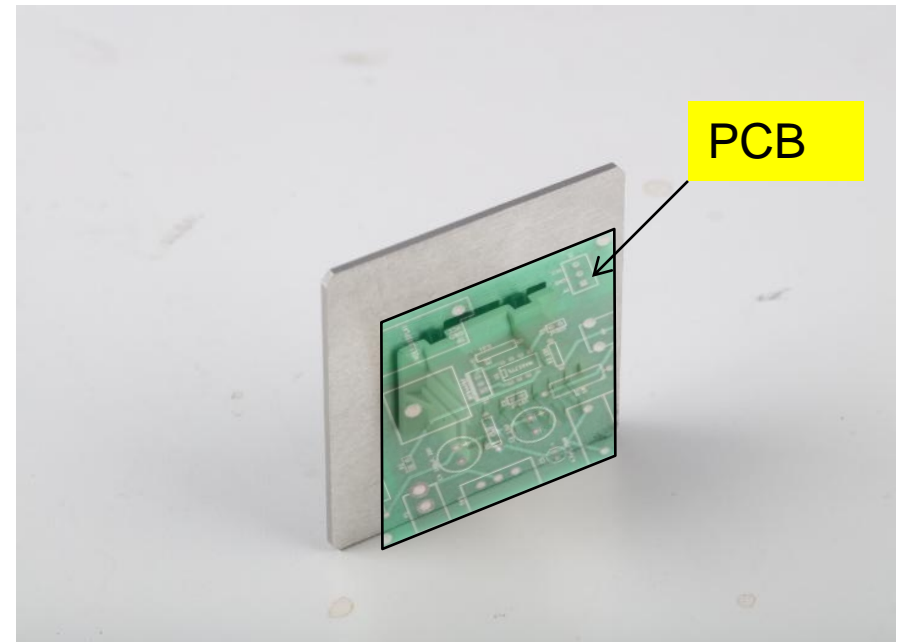
Minitek® 2.00 Blind Mate Interface

Product Introduction

- Blind Mate is primarily a **panel mount** solution made from one receptacle (black) and one header (white)



FRONT (Receptacle)

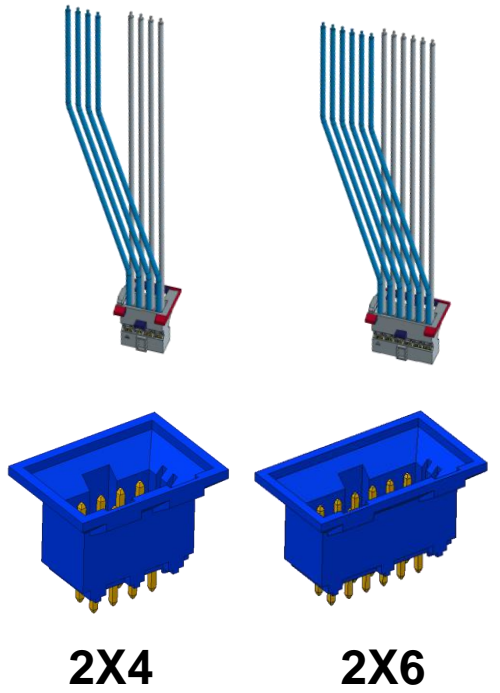
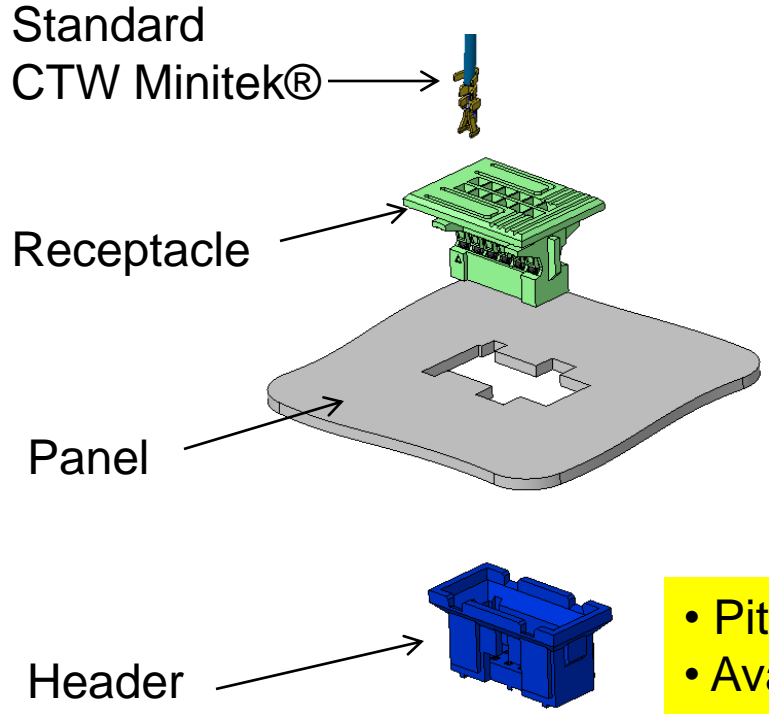


REAR Side (header)

Minitek® 2.00 Blind Mate Interface

Product Details

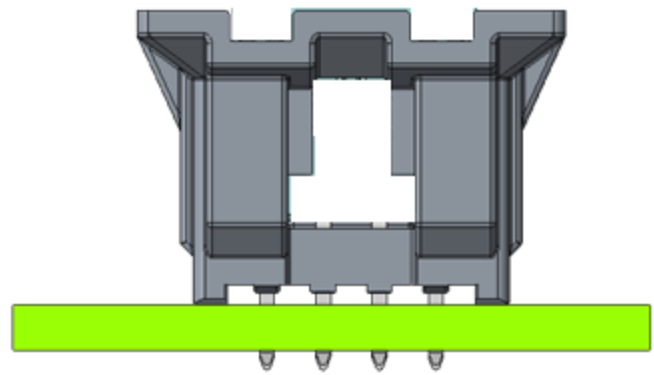
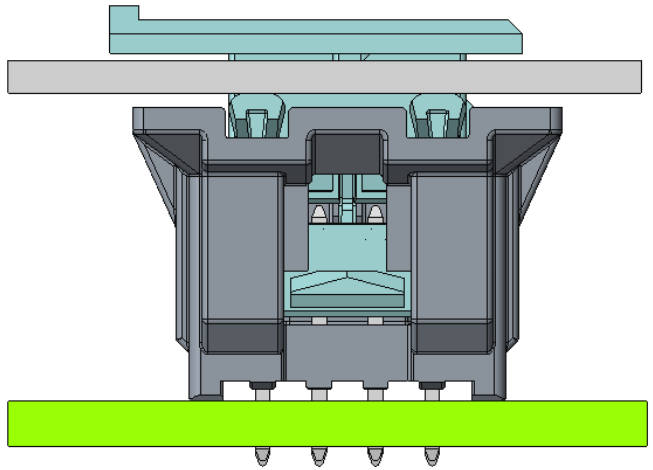
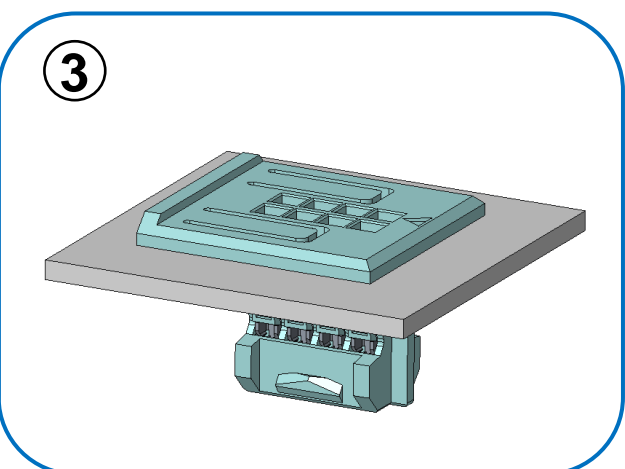
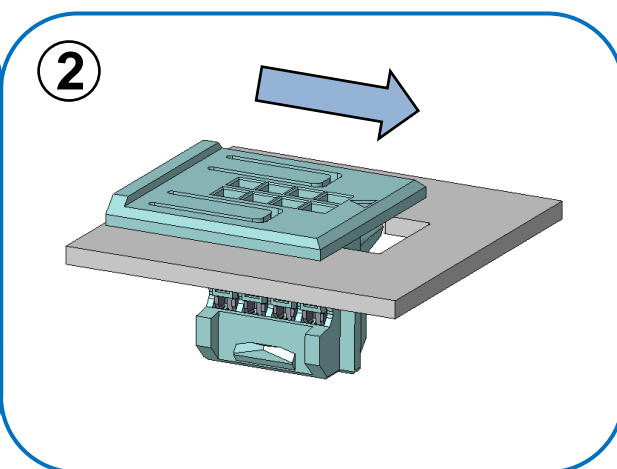
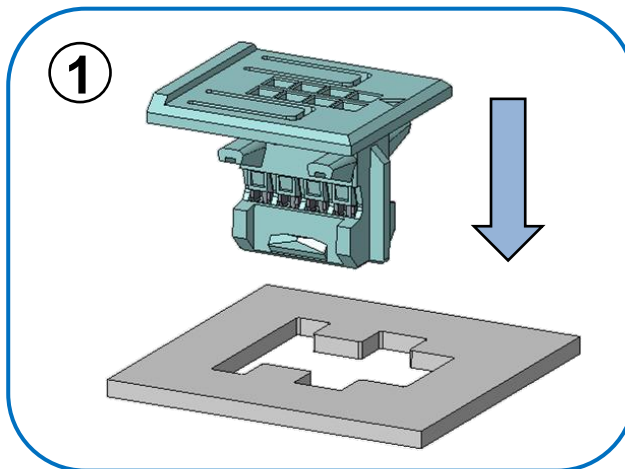
■ Exploded View of the Blind Mate solution



- Pitch **2.0 mm**
- Available in **2X4** and **2X6**
- **2A** per contact
- **200V**
- **-40°C to +125°C**

Minitek® 2.00 Blind Mate Interface **FCi Basics**

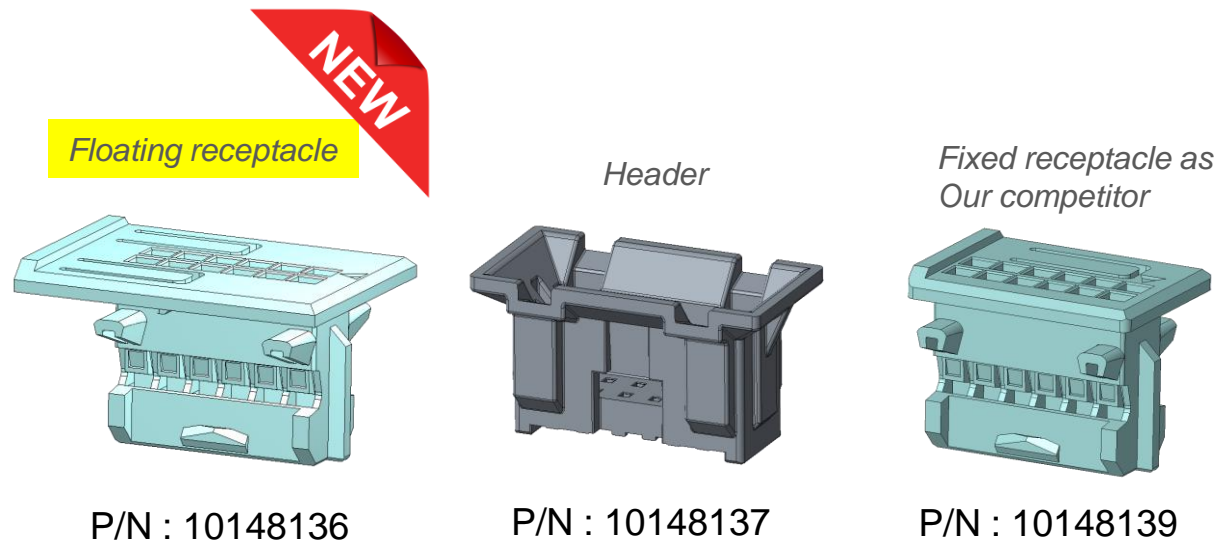
Mounting instruction



Minitek® 2.00 Blind Mate Interface

Unique sales Proposition

- Product offering is in fact based on three products
 - Header (10148137) can be used either with a Fixed (10148139) or a Floating receptacle (10148136)
 - Fixed receptacle is what exist on the market
 - Floating is an advanced feature **new** on the market

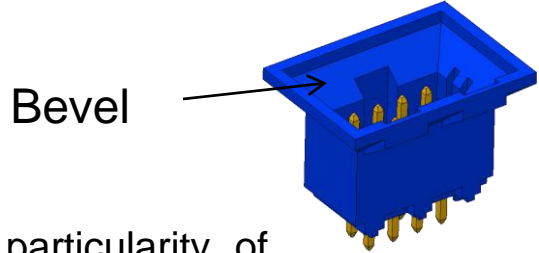


Minitek® 2.00 Blind Mate Interface **FCi Basics**

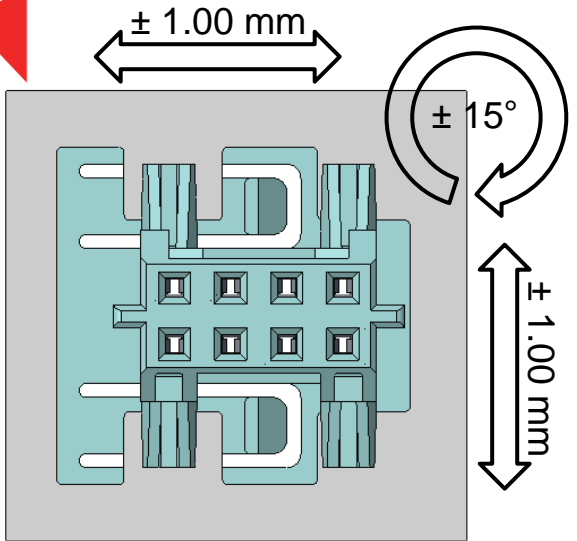
Unique sales proposition

Advantage vs. competitors \implies **floating receptacle**

with products of competitors, receptacle is fixed on panel. What is called misalignment is the acceptable alignment default of receptacle vs. header during mating operation, caught up by the bevel of the header.



NEW



In addition to the bevel, the particularity of Minitek® Blind Mate is the floating mount of the receptacle on panel even when mated together

This feature allows a self-alignment of receptacle in order to admit a positioning error between board and panel.

This is very convenient when several headers have to be plugged in one time. No risk of high constraints on the header solder tails anymore

Minitek® 2.00 Blind Mate Interface

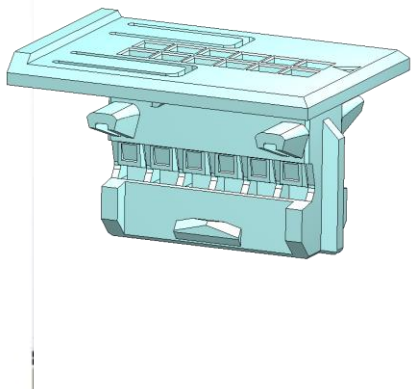
Technical information

MATERIAL

- Header Housing: High temperature thermoplastic , natural
- Receptacle Housing: High temperature thermoplastic, black
- Crimping Terminal: Copper alloy
- Plating : Gold/GXT on the contact area, tin on tail. nickel under layer

ELECTRICAL PERFORMANCE

- Low level contact resistance: 20mΩ max.
- Insulation resistance: 1000mΩ min.
- Voltage rating: 200V rms
- Current rating: 2A/contact
- Dielectric Withstanding Voltage: 650V AC
- Temperature Rise: 30°C max.



MECHANICAL PERFORMANCE

- Catching: ±2mm in x and y axis
- Misalignment with Floating Option: ±1mm or 15° in x and y axis, ±0.3mm in z axis
- Terminal Insertion Force: 2N max. per contact
- Durability: 100 mating cycles for gold plating, 10 mating cycles for tin plating



ENVIRONMENTAL

- Operating Temperature: -40°C to +125°C

PACKAGING

- Header : Tube packaging / Tape and Reel
- Receptacle: Bag
- Terminal: Reel

APPROVALS AND CERTIFICATION

- Glow Wire Ignition Temperature (GWIT) per IEC 60695-2-13
- Glow Wire Flammability Index (GWFI) per IEC 60695-2-12
- UL

SPECIFICATION

- Amphenol Product Specification: GS-12-1470

TARGET MARKETS/APPLICATIONS



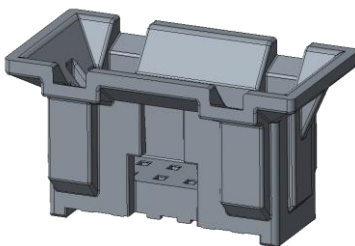
Data



Industrial



Medical



Minitek® 2.00 Blind Mate Interface

Features & Benefits

FEATURES

- Fully polarized housings
- Scoop-proof housings
- Available in through hole, PIP and SMT as option
- Existing crimp section and automated crimp tooling from AWG 22-30
- Glow wire compliant
- UL flammability
- RoHS compliant, halogen free and lead-free

BENEFITS

- Prevents accidental mismatching
- Ensure terminals and header pins are not damaged from misuse
- Compatible with multiple manufacturing processes
- No specific industrial tools required
- Complies with International Standard IEC 60335-1 for household appliances
- Better safety
- Meets environmental, health and safety requirements

- Industrial & Instrumentation
 - Power converter
 - Power amplifier
- Data
 - Server
 - Data Center
- Medical
 - Laser system
 - Autoclave chamber
 - Magnetic resonance
 - Tomography

Amphenol ICC

Thank you