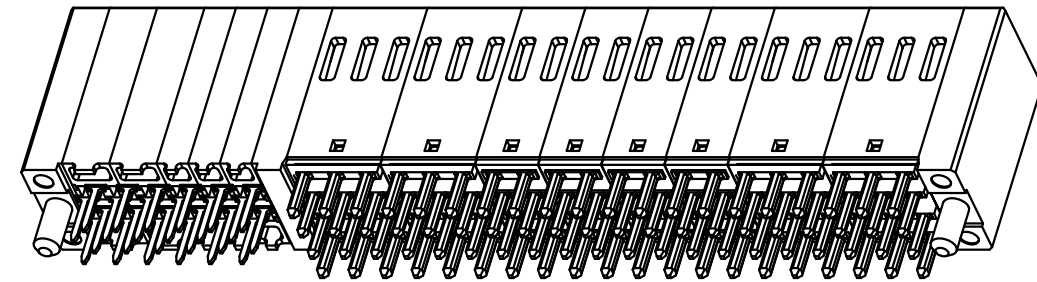
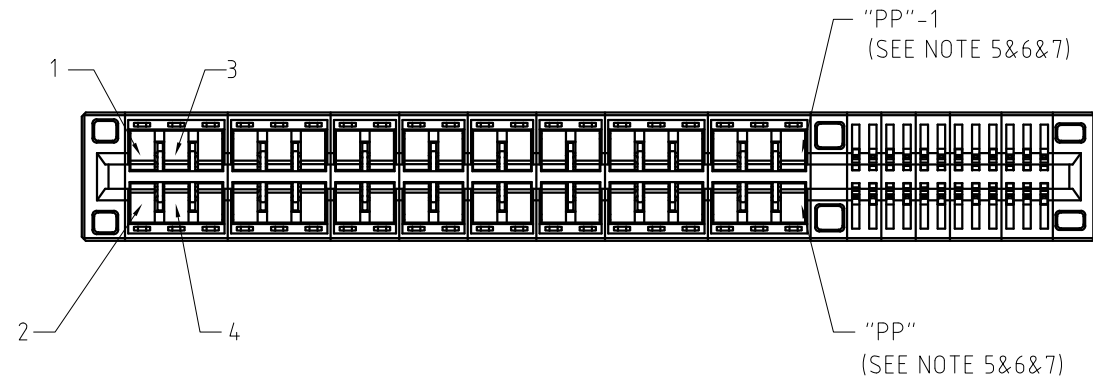


This document is the property of Amphenol Corporation and is delivered on the express condition that it is not to be disclosed, reproduced or used, in whole or in part, for manufacture or sale by anyone other than Amphenol Corporation without its prior consent, & that no right is granted to disclose or to use any information in this document.

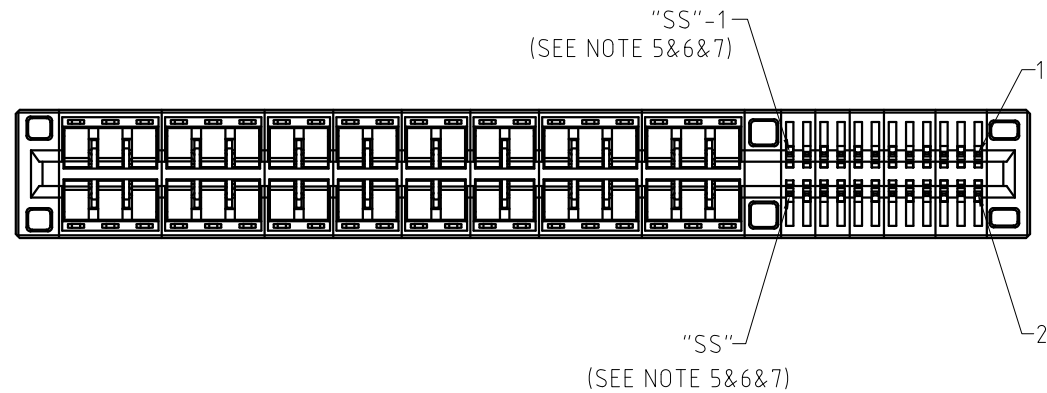
REVISIONS				
SYM	ECN	DESCRIPTION	DATE	APPROVED
		SEE SHEET 1		

CUSTOMER DRAWING

POWER PIN COUNT VIEW



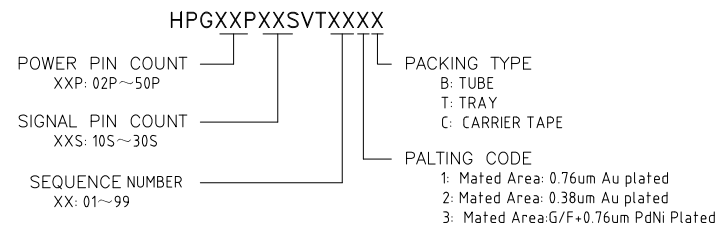
SIGNAL PIN COUNT VIEW



NOTE:

- MATERIAL:
HOUSING: HIGH TEMPERATURE THERMOPLASTIC, BLACK UL94-V0, HALOGEN FREE.
CONTACT: COPPER ALLOY
- PLATING:
MATING AREA: SEE PN SYSTEM
SOLDER AREA: TIN OVER Ni UNDERPLATED.
UNDER PLATED: 1.27um MIN. Ni UNDERPLATED ALL AREA.
- CARD THICKNESS: 1.60MM.
- RECOMMENDED PCB THICKNESS: 1.60MM ~ 2.40MM
- VARIABLE DIMENSION OF CONNECTOR SHOW IN TABLE A (IN SHEET 1)
- VARIABLE DIMENSION OF MATING CARD SHOW IN TABLE B (IN SHEET 2)
- VARIABLE DIMENSION OF HOST BOARD SHOW IN TABLE C (IN SHEET 3)
- MATERIAL SHOULD BE FULFILLED AMPHENOL SEPC # SSN002;
FOR HALOGEN FREE PRODUCTS, ALSO NEED TO MEET S-SN-004.
- ORDER PN: REFER TO PN SYSTEM

PN SYSTEM:



UNLESS OTHERWISE SPECIFIED TOLERANCES U.S. METRIC .X +/- 0.25 .XX +/- 0.15 .XXX +/- 0.05 FRACTIONS +/- ANGLES +/- 2° FOR MATERIALS AND FINISHES SEE NOTES REMOVE SHARP EDGES DIMENSIONS U.S. INCHES (METRIC) (mm)	APPROVAL DRAWN: Brade.Zou CHECKED APPROVED	DATE May.16,2019	Amphenol TITLE XXP+XXS Vertical, Trough hole High Power Gold-Finger Connector
	DRAWING FILE : Internal\DRAWING\HPG\C HPGXXPXXSVTXXXX		
	ANGLE OF PROJECTION 	SIZE: A3 DRAWING NO.: C HPG-XXP-XXS-V-T-XX-X-X REV.: 2	
	SCALE: NONE	SHEET 4 OF 4	

This document is the property of Amphenol Corporation and is delivered on the express condition that it is not to be disclosed, reproduced or used, in whole or in part, for manufacture or sale by anyone other than Amphenol Corporation without its prior consent, & that no right is granted to disclose or to use any information in this document.

REVISIONS				
SYM	ECN	DESCRIPTION	DATE	APPROVED
		SEE SHEET 1		

CUSTOMER DRAWING

RECOMMENDED MATTING CARD LAYOUT

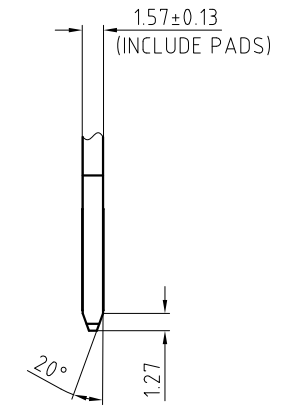
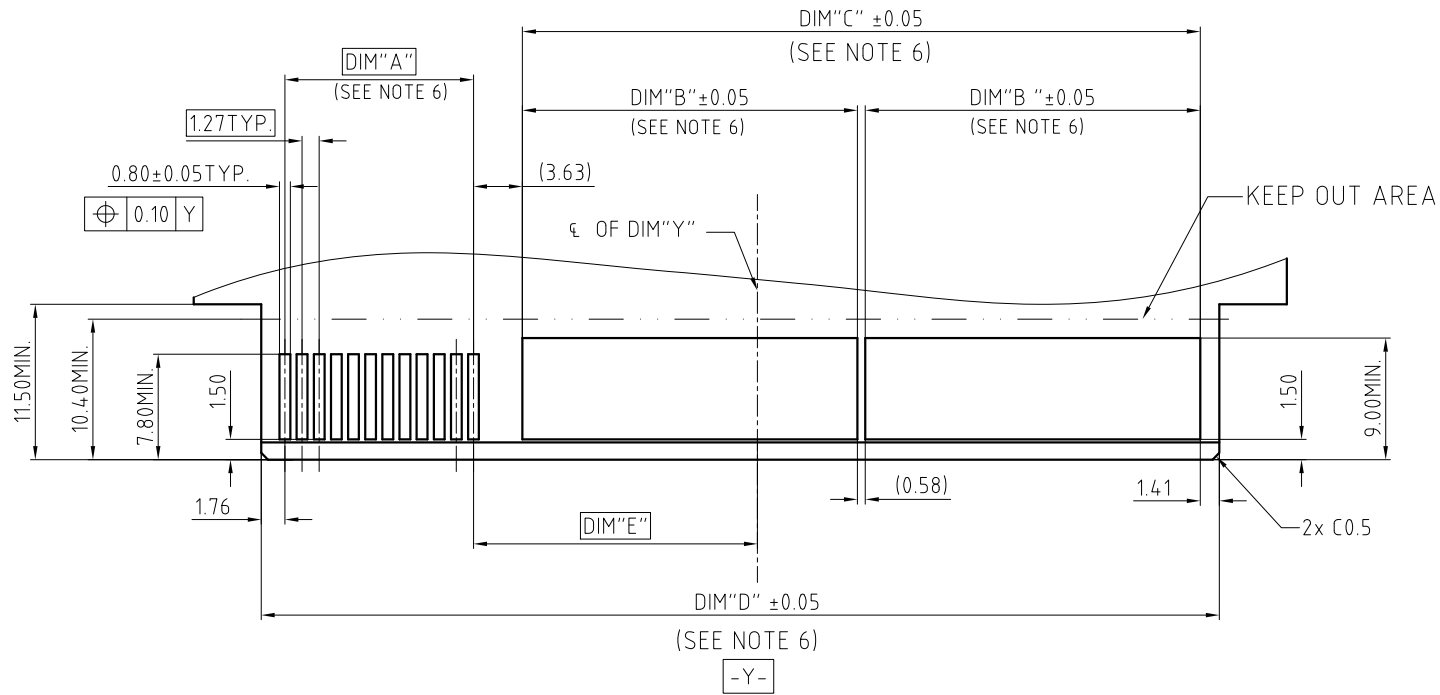


TABLE B:

VARIABLE	"PP"	"SS"	DIM "A"	DIM "B"	DIM "C"	DIM "D"	DIM "E"
VALUE	POWER PIN COUNT	SIGNAL PIN COUNT	"SS" × 0.635 - 1.27	"PP" × 0.635 - 0.58	"PP" × 1.27 - 0.58	"PP" × 1.27 + "SS" × 0.635 + 4.94	"PP" × 0.635 - 4.37



UNLESS OTHERWISE SPECIFIED TOLERANCES		APPROVAL		DATE		Amphenol	
U.S. METRIC		DRAWN	Brade.Zou	May.16,2019			
.X +/-	0.25	CHECKED		APPROVED		TITLE	
.XX +/-	0.15	APPROVED		DRAWING FILE :		XXP+XXS Vertical, Trough hole	
.XXX +/-	0.05	FOR MATERIALS AND FINISHES SEE NOTES		Internal\DRAWING\HPG\C HPGXXPXXSVTXXXX		High Power Gold-Finger Connector	
FRACTIONS +/-		REMOVE SHARP EDGES		ANGLE OF PROJECTION		SIZE	
ANGLES +/-	2°	DIMENSIONS				DRAWING NO.	
		U.S. INCHES				A3 C HPG-XXP-XXS-V-T-XX-X-X	
		(METRIC) (mm)				REV. 2	
		SCALE NONE		SHEET 2 OF 4			

This document is the property of Amphenol Corporation and is delivered on the express condition that it is not to be disclosed, reproduced or used, in whole or in part, for manufacture or sale by anyone other than Amphenol Corporation without its prior consent, & that no right is granted to disclose or to use any information in this document.

REVISIONS				
SYM	ECN	DESCRIPTION	DATE	APPROVED
		SEE SHEET 1		

CUSTOMER DRAWING

RECOMMENDED PCB FOOT PRINT
(VIEW FROM COMPONENT SIDE)

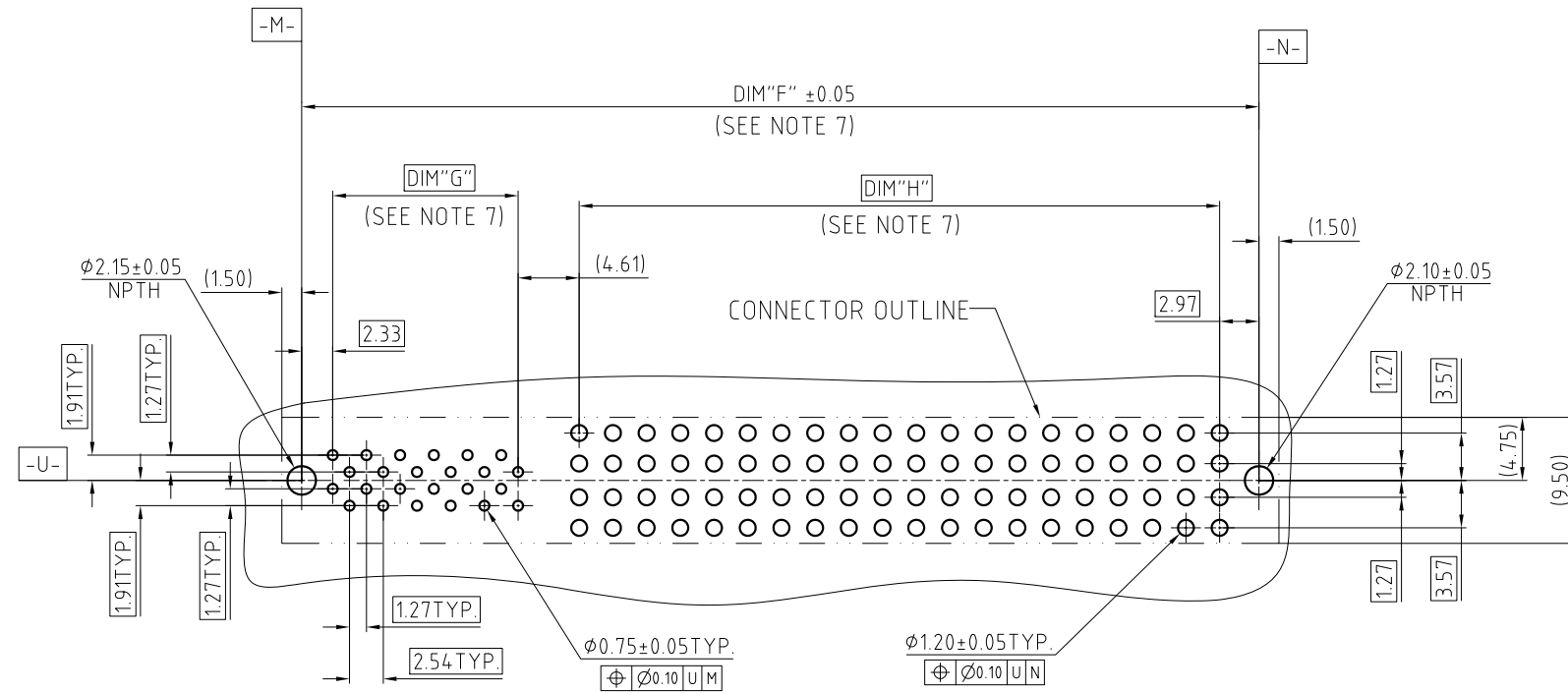


TABLE C:

VARIABLE	"PP"	"SS"	DIM "F"	DIM "G"	DIM "H"
VALUE	POWER PIN COUNT	SIGNAL PIN COUNT	"PP"×1.27+"SS"×0.635+6.1	"SS"×0.635-1.27	"PP"×1.27-2.54

UNLESS OTHERWISE SPECIFIED TOLERANCES U.S. METRIC .X +/- 0.25 .XX +/- 0.15 .XXX +/- 0.05 FRACTIONS +/- ANGLES +/- 2° FOR MATERIALS AND FINISHES SEE NOTES REMOVE SHARP EDGES DIMENSIONS U.S. INCHES (METRIC) (mm)	APPROVAL DRAWN <i>Brade.Zou</i> CHECKED APPROVED	DATE May.16,2019	<h1>Amphenol</h1>	
	DRAWING FILE : Internal\DRAWING\HPG\C HPGXXPXXSVTXXXX			TITLE XXP+XXS Vertical, Trough hole High Power Gold-Finger Connector
	ANGLE OF PROJECTION 			SIZE DRAWING NO. REV. A3 C HPG-XXP-XXS-V-T-XX-X-X 2
	SCALE NONE SHEET 3 OF 4			

This document is the property of Amphenol Corporation and is delivered on the express condition that it is not to be disclosed, reproduced or used, in whole or in part, for manufacture or sale by anyone other than Amphenol Corporation without its prior consent, & that no right is granted to disclose or to use any information in this document.

CUSTOMER DRAWING

REVISIONS

SYM	ECN	DESCRIPTION	DATE	APPROVED
1	CDXXXX	FIRST RELEASE	Feb.22,2019	YH
2	CDXXXX	update the model	May.16,2019	YH

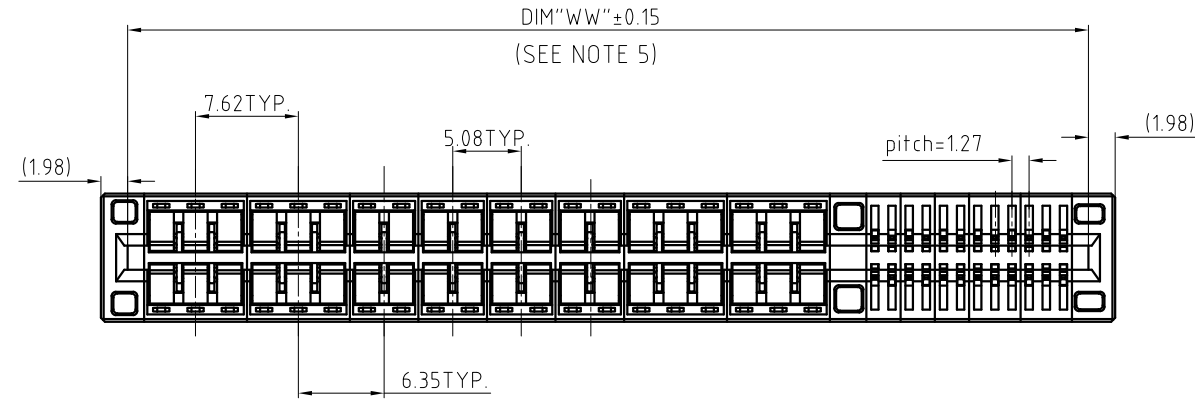
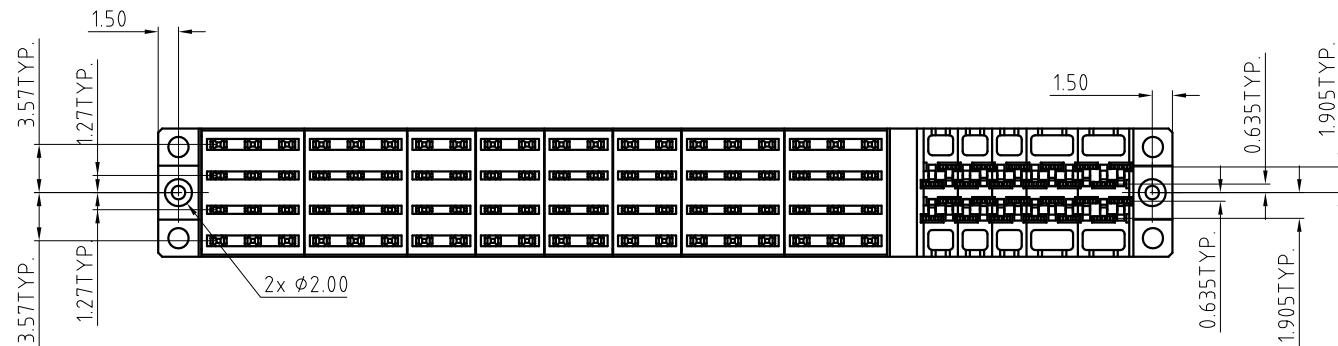
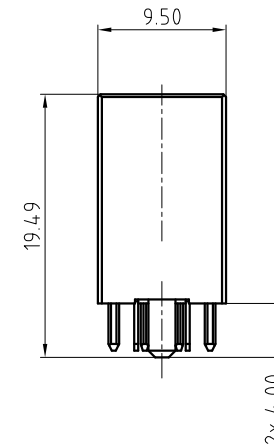
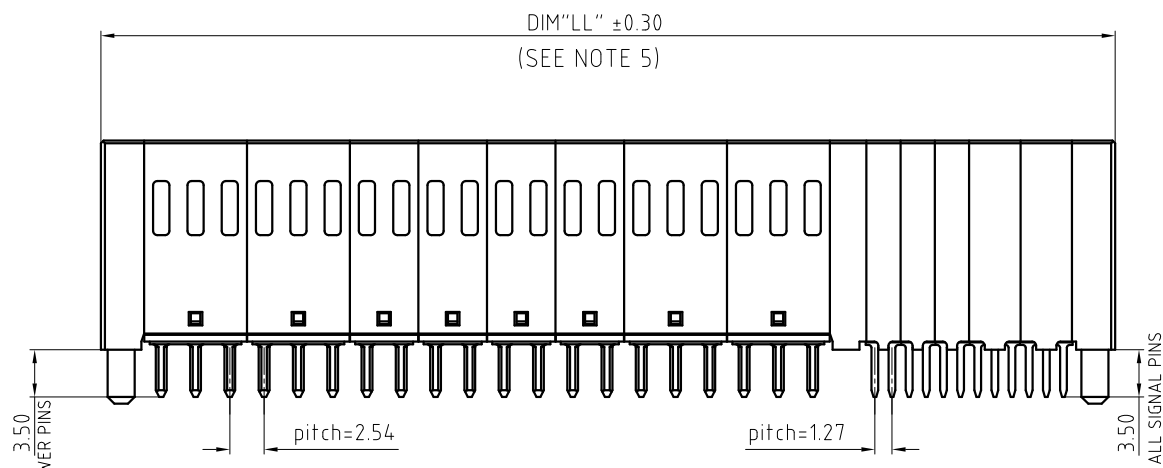


TABLE A:

VARIABLE	"PP"	"SS"	DIM"LL" (CONNECTOR WIDTH)	DIM"WW" (WINDOW WIDTH)
VALUE	POWER PIN COUNT	SIGNAL PIN COUNT	"PP"×1.27+"SS"×0.635+9.1	"PP"×1.27+"SS"×0.635+5.14



UNLESS OTHERWISE SPECIFIED TOLERANCES

	U.S.	METRIC
.X	+/-	0.50
.XX	+/-	0.25
.XXX	+/-	0.15
FRACTIONS	+/-	
ANGLES	+/-	2°

FOR MATERIALS AND FINISHES SEE NOTES

REMOVE SHARP EDGES

DIMENSIONS

U.S.	INCHES
(METRIC)	(mm)

APPROVAL	DATE
DRAWN: Brade.Zou	May.16,2019
CHECKED:	
APPROVED:	
DRAWING FILE : Internal\DRAWING\HPG\C HPGXXPXXSVTXXXX	
ANGLE OF PROJECTION	

Amphenol		
TITLE XXP+XXS Vertical, Trough hole High Power Gold-Finger Connector		
SIZE A3	DRAWING NO. C HPG-XXP-XXS-V-T-XX-X-X	REV. 2
SCALE NONE	SHEET 1 OF 4	