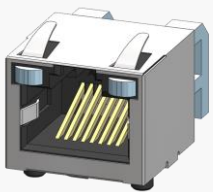


About Amphenol Commercial Products

Amphenol's commercial connector products are used in a variety of end user applications including networking, telecom, server & computer, storage & HDD, consumer electronics and entertainment, professional audio & Industrial & Military/Aerospace.

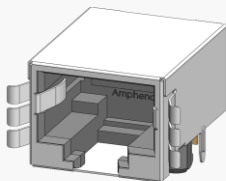
Related Products

RJSSE

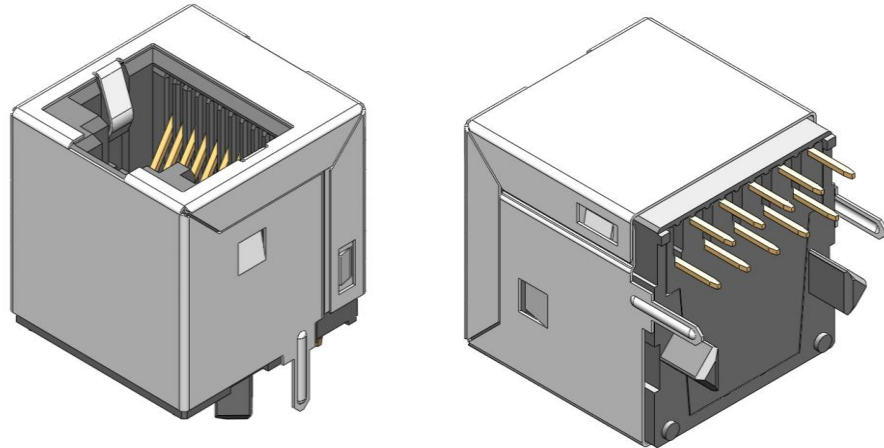


P/N RJSSE-5081 SHOWN
SINGLE PORT, 8 POSITION, WITH
SHIELD AND LIGHT PIPE

RJULE



P/N RJULE-4X182-01 SHOWN SINGLE
PORT REGULAR MOUNT, STANDARD
SHIELD WITH SMT



P/N RJE74-1AA-1411 SHOWN

OVERVIEW

This product specification defines the general use and performance parameters for Amphenol's RJE74 series of vertical modular jacks.

Availability: Single port, 10 position, shielded versions available with RMK4 key.

USAGE

The RJE74 vertical modular jack supports Ethernet Protocols. Shielding is available for increased EMI performance and RMK4 keyed interface prevents mating with regular plugs.

APPLICATIONS

Intended for use in applications such as:

Data

- Storage
- Servers
- Routers
- Switches
- Hubs

Consumer Goods

- Security Systems
- Set Top Boxes
- Video Game Systems
- PCs, Laptops
- Copiers, Printers

Industrial and Instrumentation

- Uninterruptible Power Supply (UPS)
- ATMs
- Vending Machines
- POS Terminals
- Industrial IoT Platforms

Networking & Telecom

- 5G Wireless
- Telephones
- Modems
- Fax Machines

Medical

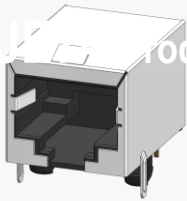
- Analysis Equipment
- Mass Spectrometers

About Amphenol Commercial Products

Amphenol's commercial connector products are used in a variety of end user applications including networking, telecom, server & computer, storage & HDD, consumer electronics and entertainment, professional audio & Industrial & Military/Aerospace.

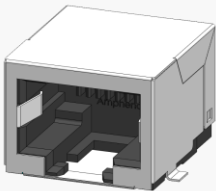
Related Products

FRJAE



P/N FRJAE-418 SHOWN SINGLE PORT, 8 POSITION, WITH FERRITE FILTER AND SHIELD (FRONT TABS)

RJLSE



P/N RJLSE-41181-01 SHOWN SINGLE PORT REGULAR MOUNT, STANDARD SHIELD WITH SMT

ELECTRICAL

Contact Resistance	20 mΩ maximum
Insulation Resistance	500 MΩ minimum at 500V DC for 2 minutes maximum
Current Rating	1.5 Amps per contact
Voltage Rating	125 Volts AC
DWV	1000 VAC, 60 HZ. 1 min

Supports PoE, PoE+, and PoE++ per IEEE PoE standards

IP20 rated per IEC 60529

MECHANICAL CHARACTERISTICS

Mating Connector Insertion Force	5.0 lbs maximum
Mating Connector Pull Retention Force	20.0 lbs minimum
Durability	750 mating and unmating cycles for 50μ" gold plating
Recommended Soldering Temperature	Wave soldering peaked at 260°C for 5 seconds maximum
Operating Temperature	-40°C to +85°C

UL File #: E135615

RMK4 keyed interface available to prevent mating with regular plugs

Connectors are suitable for IR Reflow

MATERIAL REQUIREMENTS

RJE74 connectors are RoHS compliant.

Unless otherwise specified, the materials for each component shall be:

Insulator	High temperature thermoplastic, complies with UL 94V-0 -Phosphor Bronze hard temper with 30μ" minimum gold thickness
Contacts	over 50μ" minimum Nickel on contact mating area -100μ" minimum matte Tin plating on soldering tail
Shield	Stainless Steel with pure Tin dipped tail

AVAILABLE DOCUMENTS

Below is a list of the most popular standard sales drawings:

Contact our website, sales, or an authorized Amphenol representation for additional drawings.

RJE74-1AA-0X10	Single port, vertical through hole, unshielded
RJE74-188-1X10-H	Single port, vertical through hole, with full shield and Mylar
RJE74-1AA-1X11	Single port, vertical through hole, with shield, Kapton tape
RJE74-166-1410	Single port, vertical through hole, with full shield, without LEDs