

Amphenol

Product Application Specification For 0.60mm pitch
Vertical & Right Angle Mini Cool edge Connector

Product Spec. #
S-ME-005

Date :
Nov.10,2018

Rev.
X2

ECN #
CDXXXX

Page :
1 of 10

Product Application Specification For 0.60mm pitch Vertical & Right Angle Mini Cool edge Connector

REVISION RECORD

<u>REV</u>	<u>PAGE</u>	<u>DESCRIPTION</u>	<u>ECN#</u>	<u>DATE</u>	<u>Prepare By</u>
X1	8	Proposal Spec	CDXXXX	2018-10-25	Rocky.Huang
X2	8	updated by SFF TA1002 1.1.3	CDXXXX	2018-11-10	Rocky.Huang

Prepared by :

Date:

Approved by :

Date:

(Product Engineer)

(Engineering Manager)

Amphenol	Product Application Specification For 0.60mm pitch Vertical & Right Angle Mini Cool edge Connector	Product Spec. # S-ME-005		Date : Nov.10,2018
		Rev. X2	ECN # CDXXXX	Page : 2 of 10

TABLE OF CONTENT:

1. OBJECTIVE	3
2. SCOPE	3
3. DRAWING AND APPLICABLE DOCUMENTS.....	3
4. PC BOARD REQUIREMENTS	4
4.1. MATERIAL AND THICKNESS.....	4
4.2. TOLERANCE	4
4.3. PCB LAYOUT	4
5. MATING AND ALIGNMENT	9
5.1. GATHERABILITY IN "X" DIRECTION	9
5.2. GATHERABILITY IN "Y" DIRECTION.....	9
5.3. WIPE LENGTH.....	9
5.4. TILT AND SKEW	9
6. RECOMMENDED REWORK PROCESS	10
7. CONNECTOR ELECTRICAL RATINGS.....	10

Amphenol	Product Application Specification For 0.60mm pitch Vertical & Right Angle Mini Cool edge Connector	Product Spec. # S-ME-005		Date : Nov.10,2018
		Rev. X2	ECN # CDXXXX	Page : 3 of 10

1. OBJECTIVE

This specification provides information and requirements for customer application of the 0.60mm pitch vertical Mini Cool edge connector. It is intended to provide general guidance for process development. It should be recognized that no single process will work under all customer applications and the customers should develop processes to meet individual needs. However, if the processes vary from the recommended one, Amphenol cannot guarantee acceptable results.

2. SCOPE

This specification provides information and requirements regarding application of 0.60mm pitch vertical mini Cool edge connector to printed circuit boards (PCB). The connectors are designed for mother/daughter board applications and will accept different thickness of daughter card. They are available with multiple contacts.

3. DRAWING AND APPLICABLE DOCUMENTS

- Amphenol Product Specification S-ME-004
- Application Amphenol Customer Drawings

Amphenol product drawings and specifications are available by accessing the Amphenol website or contacting the Amphenol Technical Service. In the event of a conflict between this specification and the product drawing, the drawing takes precedence. Customers should refer to the latest revision level of Amphenol product drawings for appropriate product details.

4. PC BOARD REQUIREMENTS

4.1 MATERIAL AND THICKNESS

The pc board material shall be glass epoxy (FR4 or G-10).

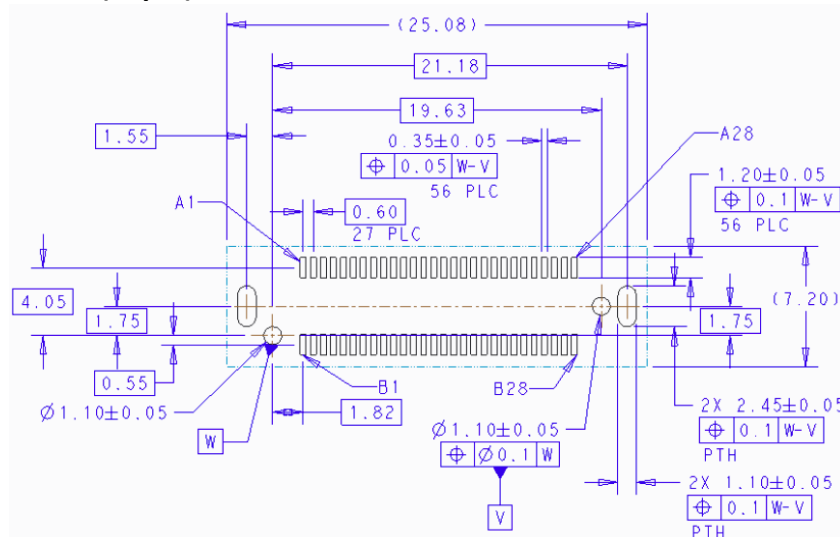
4.2 TOLERANCE

Maximum allowable bow of the pc board shall be 0.03mm over the length of the connector assembly.

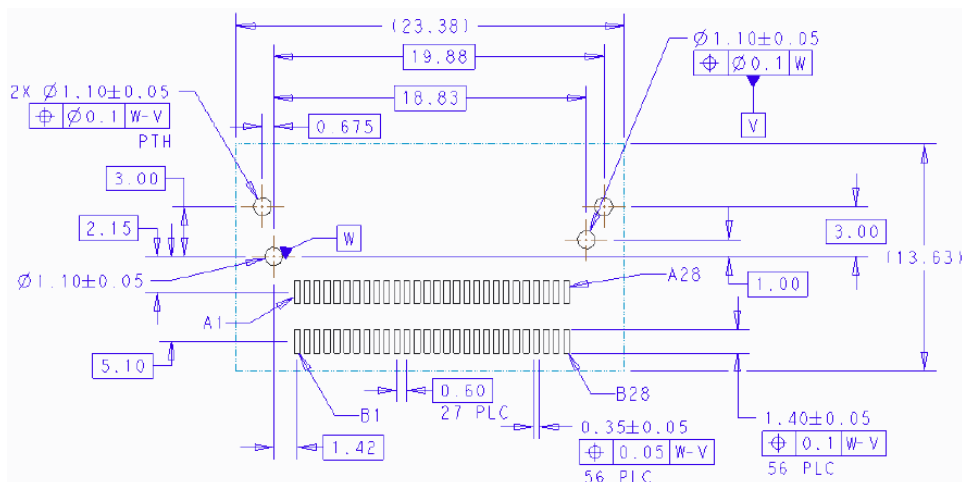
4.3 LAYOUT

The holes for the connector assembly must be precisely located to ensure proper placement and optimum performance of the connector assembly. Recommended general holes, pads, dimensions, and tolerances are provided in Figure 2 to 5. It's a general layout, please refer to appropriate sales drawing for recommended PCB layout and thickness for each parts

FOR SFF-TA-1002 1C (56pin) Vertical Connector



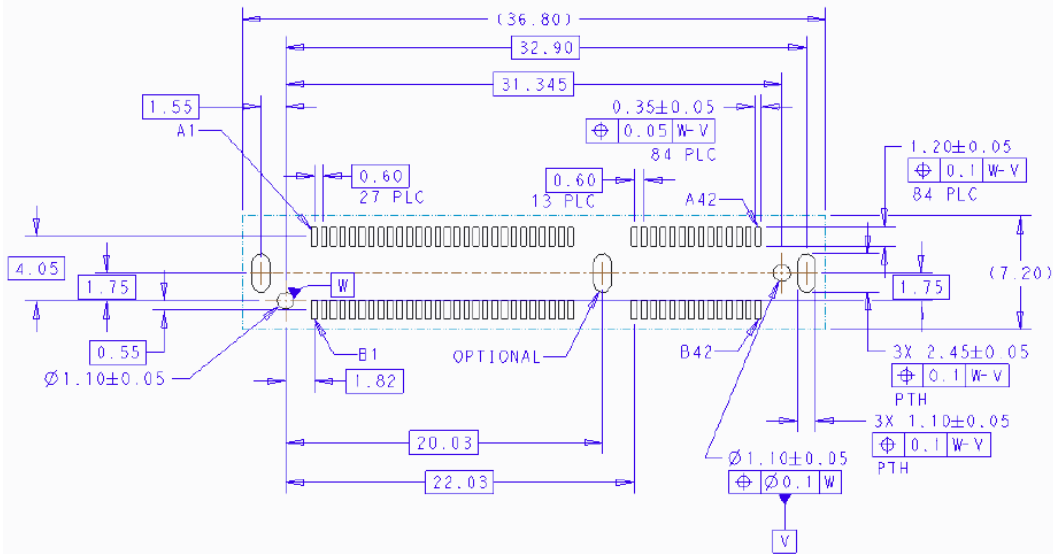
FOR SFF-TA-1002 1C (56pin) Right Angle Connector



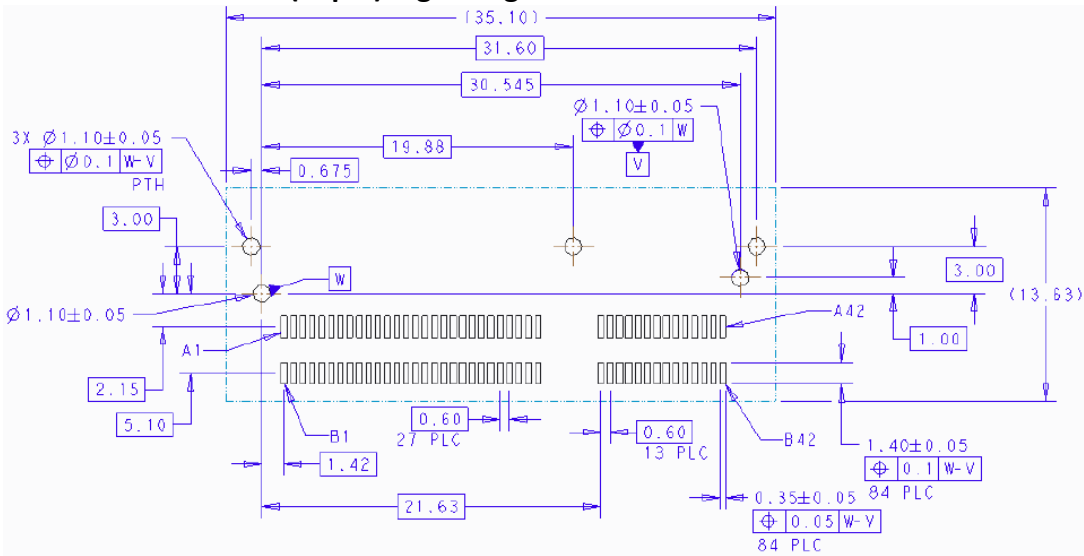
**GENERAL PCB LAYOUT FOR MOTHER BOARD
(YOUR CONFIGURATION MAY VARY)**

FIGURE 1

FOR SFF-TA-1002 2C (84pin) Vertical Connector



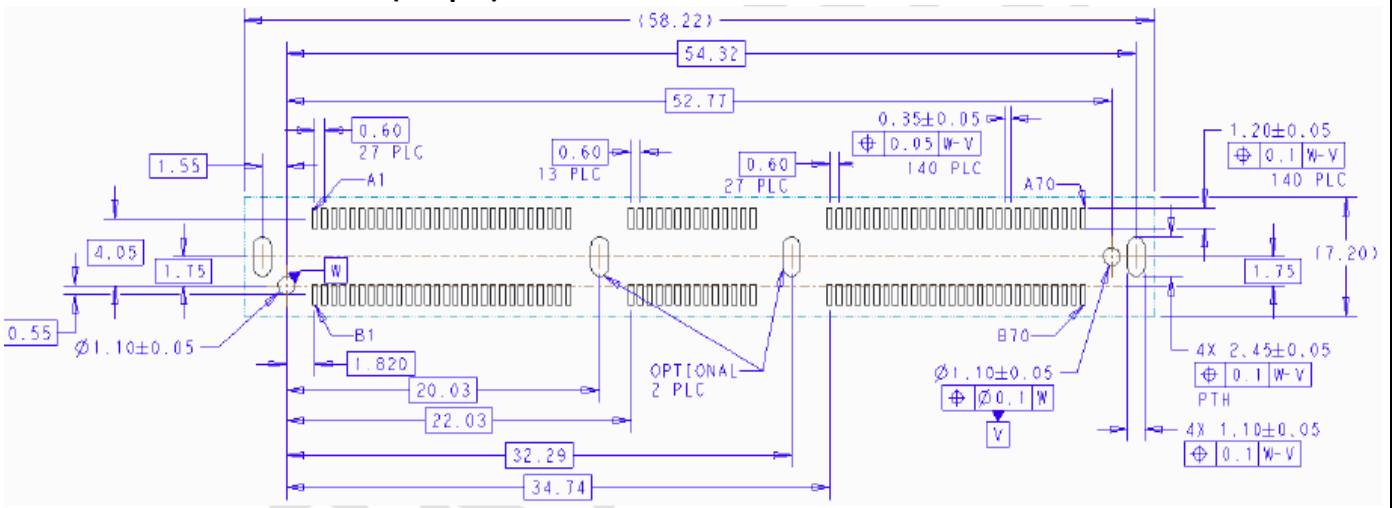
FOR SFF-TA-1002 2C (84pin) Right Angle Connector



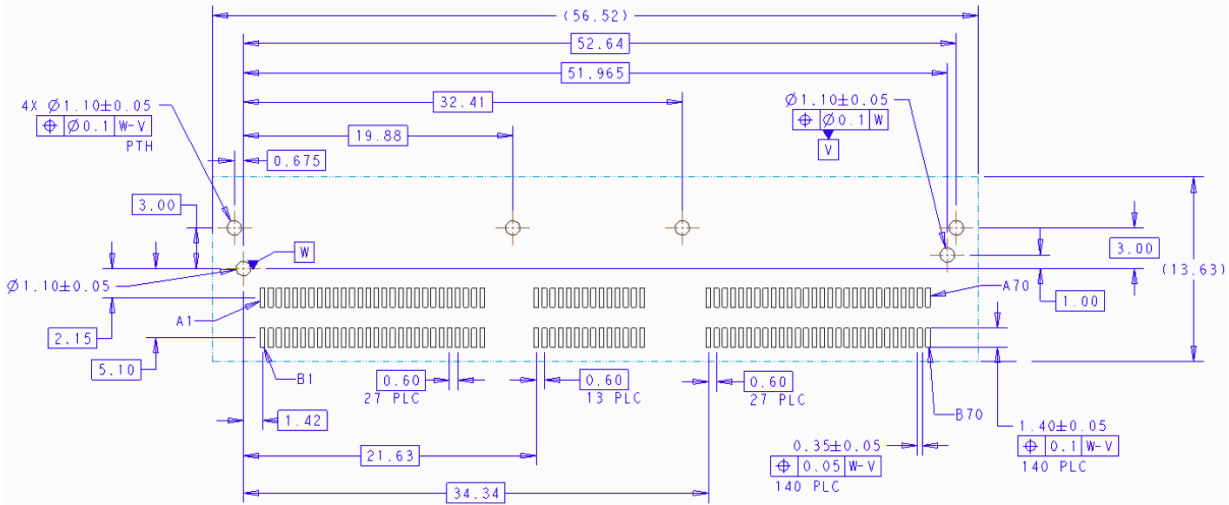
GENERAL PCB LAYOUT FOR MOTHER BOARD
(YOUR CONFIGURATION MAY VARY)

FIGURE 2

FOR SFF-TA-1002 4C (140pin) Vertical Connector



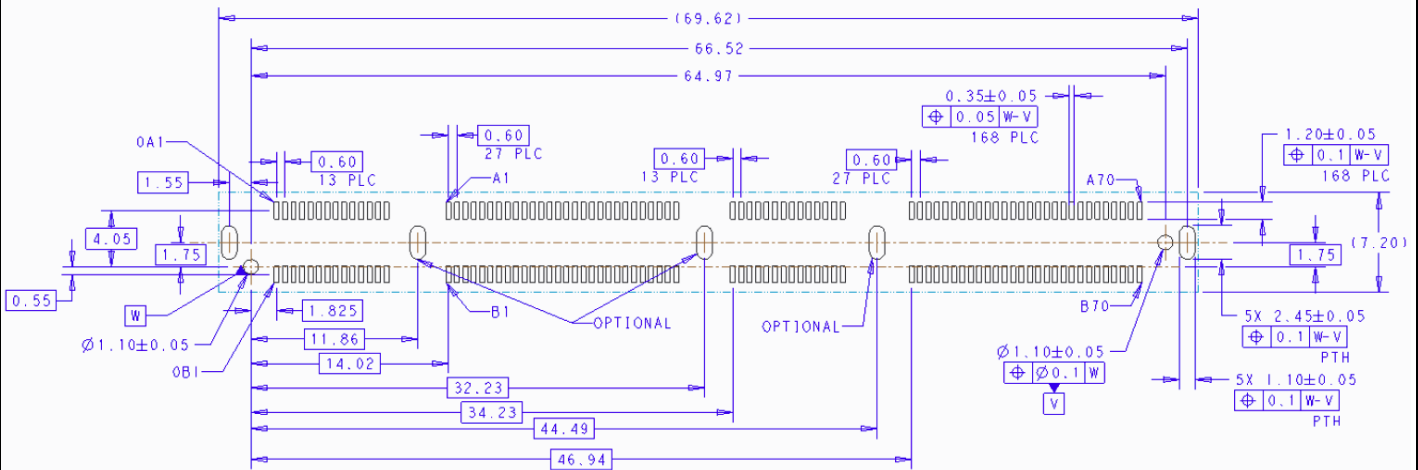
FOR SFF-TA-1002 4C (140pin) Right Angle Connector



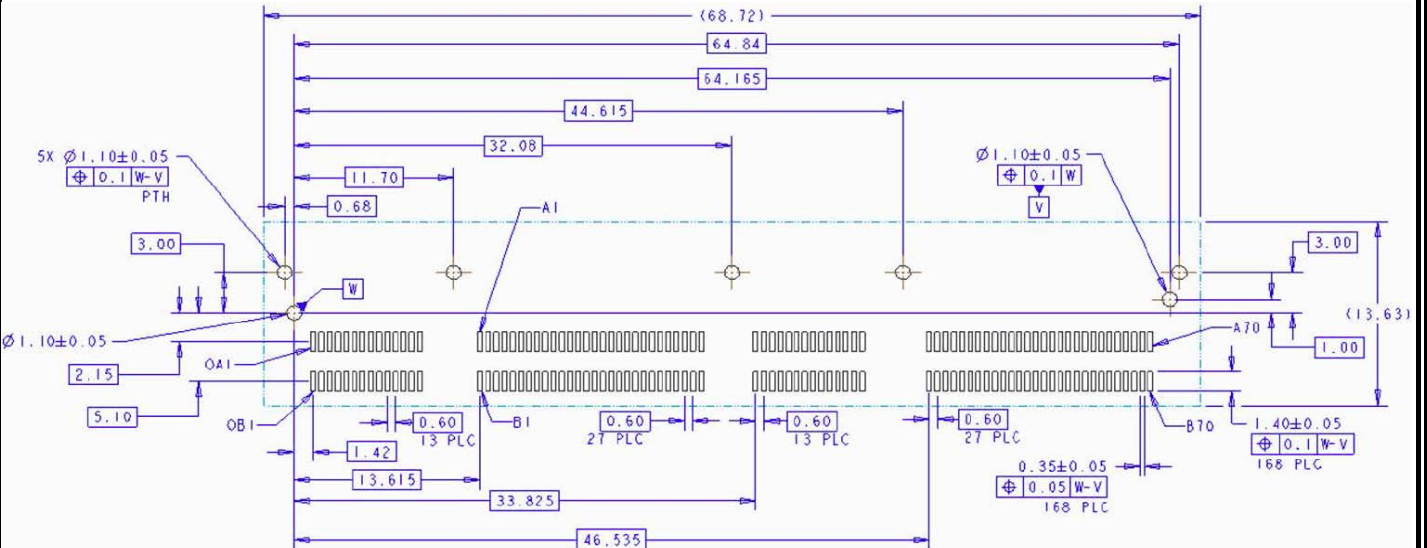
**GENERAL PCB LAYOUT FOR MOTHER BOARD
(YOUR CONFIGURATION MAY VARY)**

FIGURE 3

FOR SFF-TA-1002 4C+ (168pin) Vertical Connector



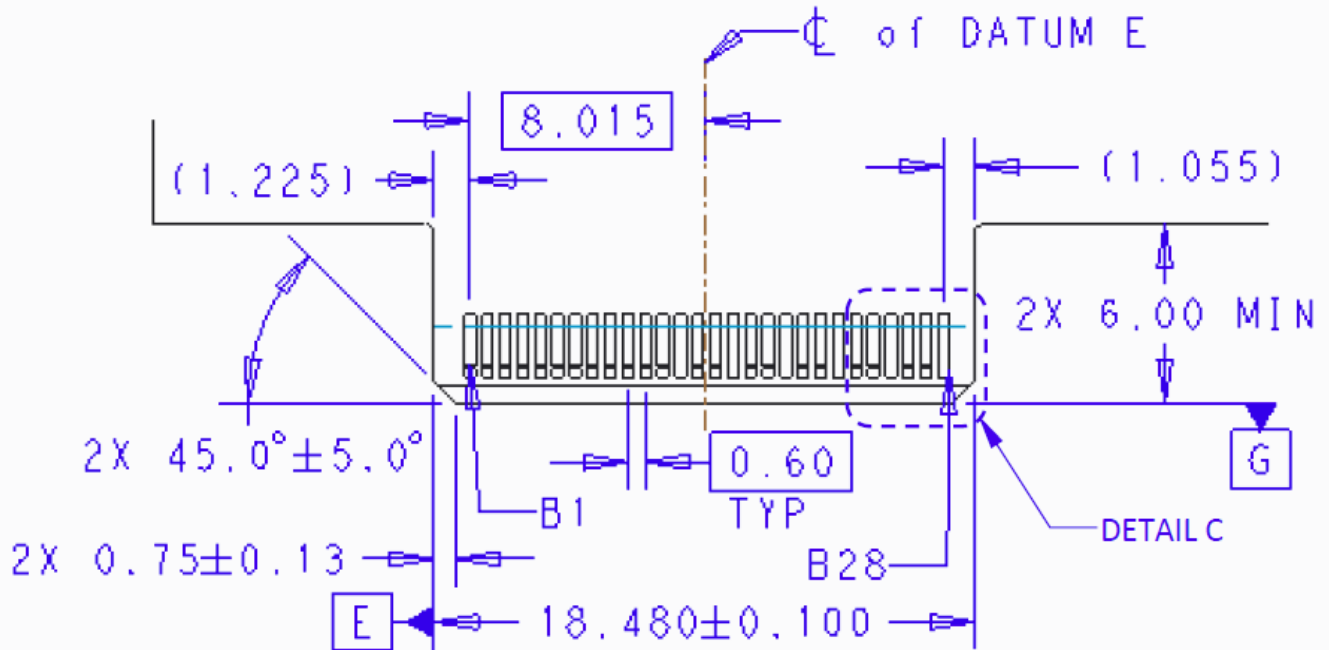
FOR SFF-TA-1002 4C+ (168pin) Right Angle Connector



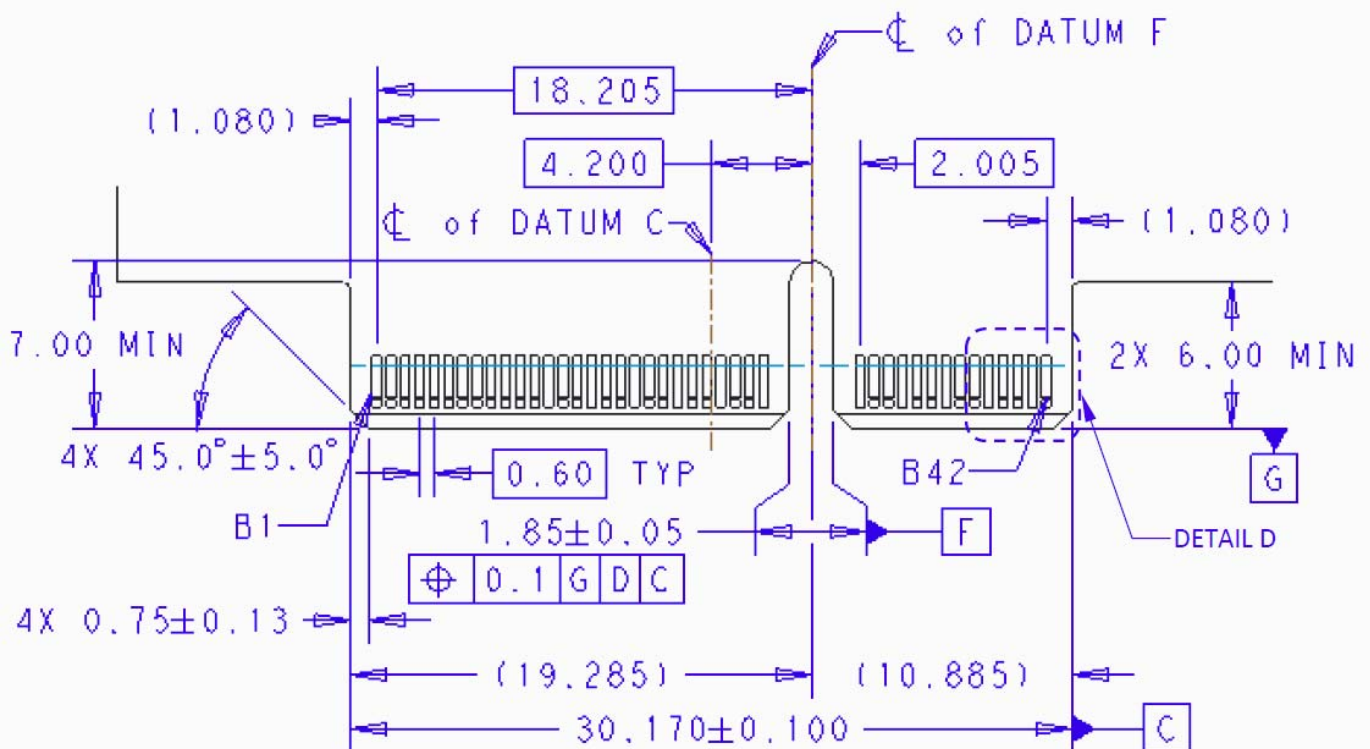
**GENERAL PCB LAYOUT FOR MOTHER BOARD
(YOUR CONFIGURATION MAY VARY)**

FIGURE 4

FOR 1.57mm Thickness SFF-TA-1002 1C(56pin) Mating Card

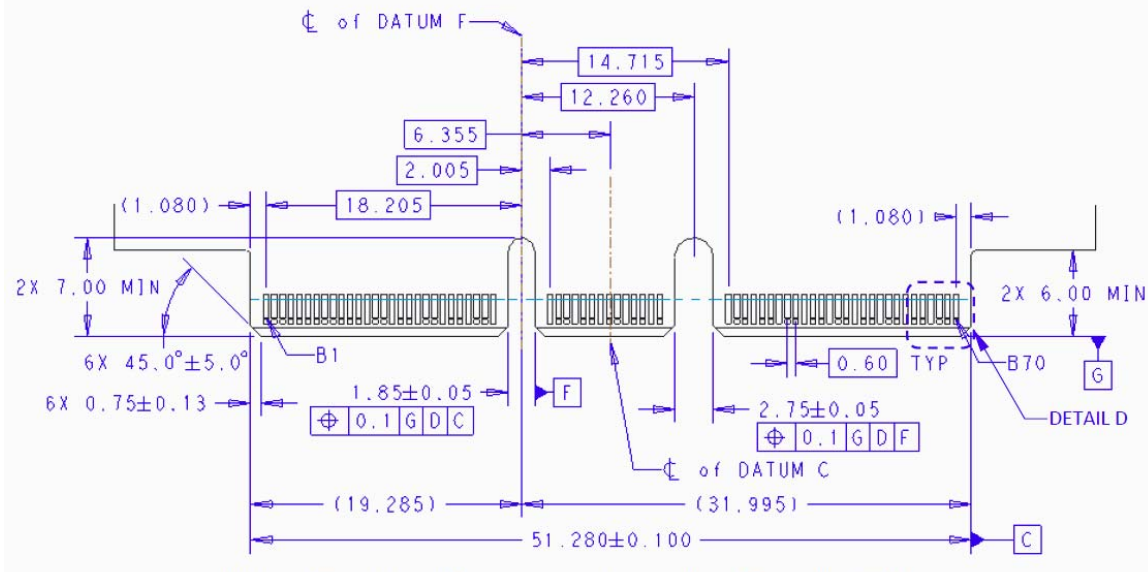


Note: Position A1 on opposite side of card of B1.
FOR 1.57mm Thickness SFF-TA-1002 2C(84pin) Mating Card



Note: Position A1 on opposite side of card of B1.

FOR 1.57mm Thickness SFF-TA-1002 4C(140pin) Mating Card

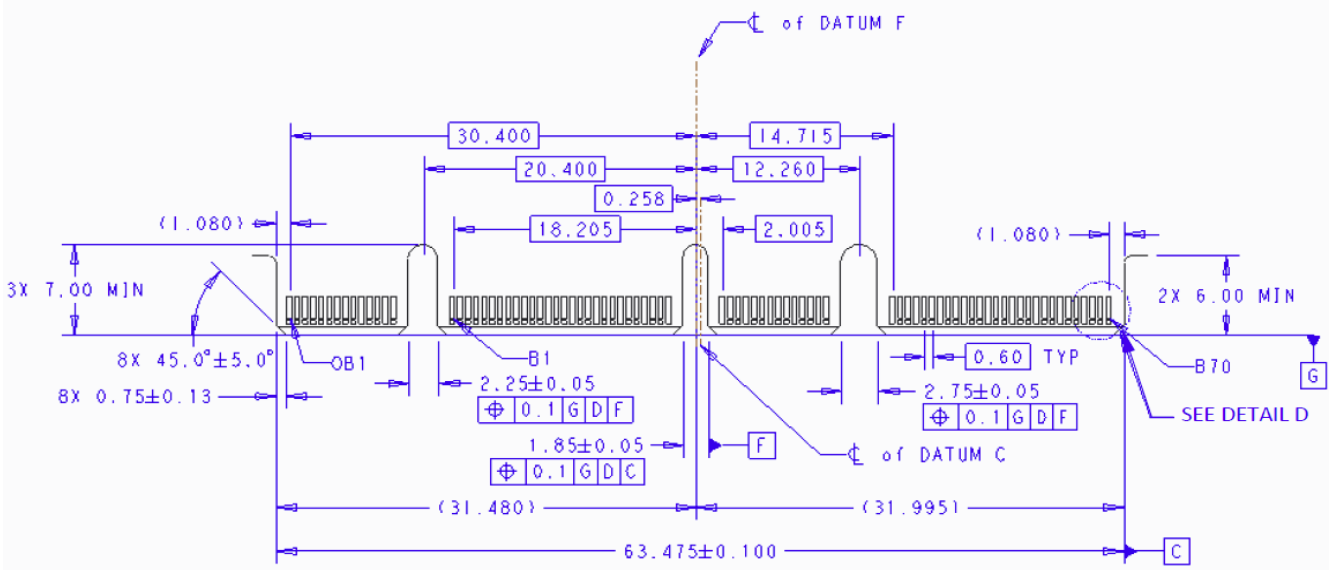


Note: Position A1 on opposite side of card of B1.

**GENERAL PCB LAYOUT FOR MATING CARD
(YOUR CONFIGURATION MAY VARY)**

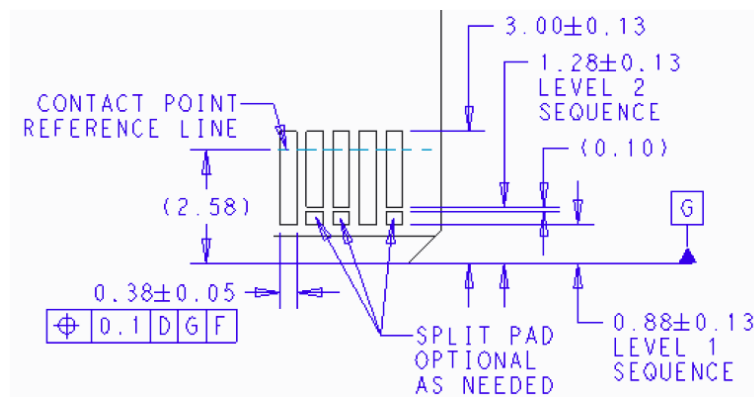
FIGURE 5

FOR 1.57mm Thickness SFF-TA-1002 4C+(168pin) Mating Card



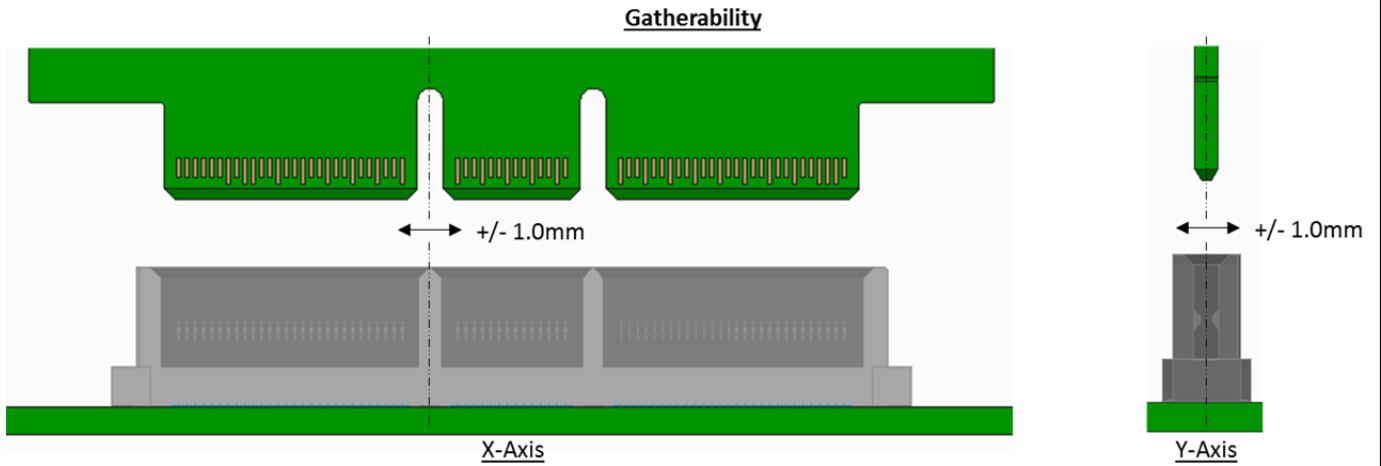
Note: Position A1 on opposite side of card of B1.

Detail D: SFF-TA-1002 1C,2C,4C ,4C+Mating Card Pad Dimensions .



5. MATING AND ALIGNMENT

5.1 GATHERABILITY



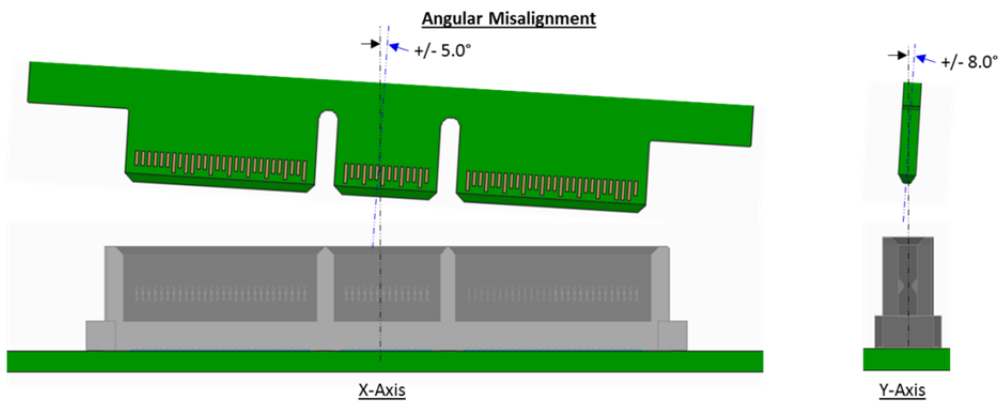
Gatherability: In 'X' direction is $\pm 1.0\text{mm}$, In 'Y' direction is $\pm 1.0\text{mm}$

5.2 WIPE LENGTH

Signal pin: $d=1.30\text{mm}$, Ground pin: $d=1.70\text{mm}$



5.3 TILT AND SKEW

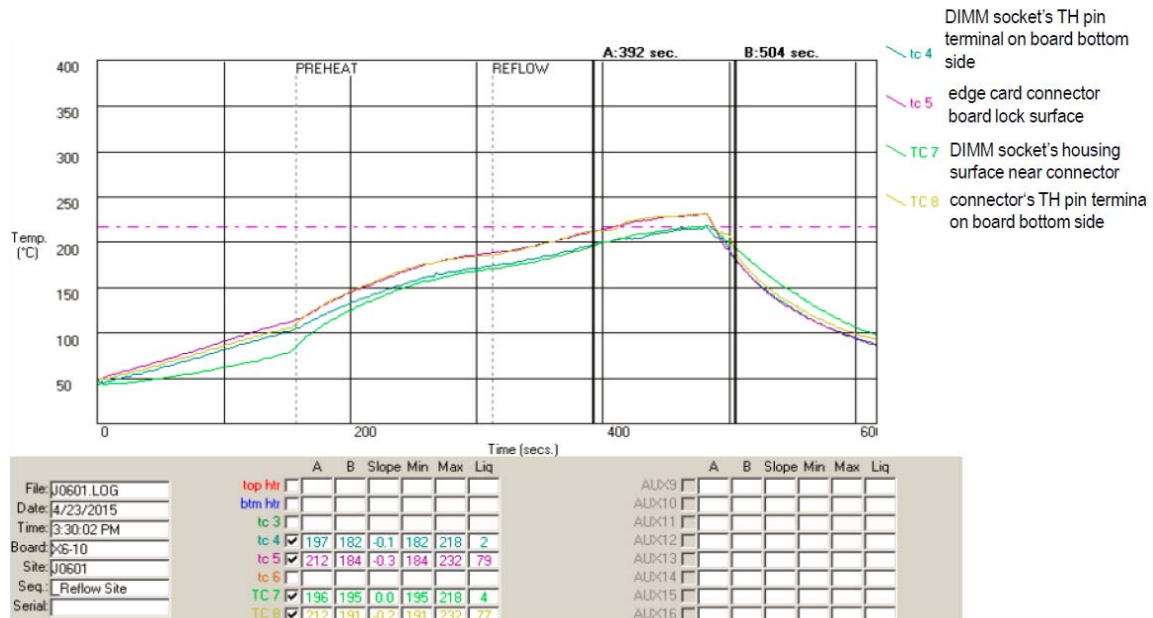


Notes:

This is a generic calculation based on Amphenol mini Cool edge tolerances and may be impacted by the PCB manufactures capabilities.

6. RECOMMENDED REWORK PROCESS

It can be reworked well under BGA rework station, and it needs to re-design and make mini-stencil to print SMT pads, it also needs to add a shield wall, it can avoid socket's housing material melting or bubble defect. The recommended rework profile is below.



7. CONNECTOR ELECTRICAL RATINGS

Voltage Rating: 29V.

Current Rating: 1.1A/pin up to 12pins.tested per EIA-364-70.

Temperature Rating: -40°C to 85°C.