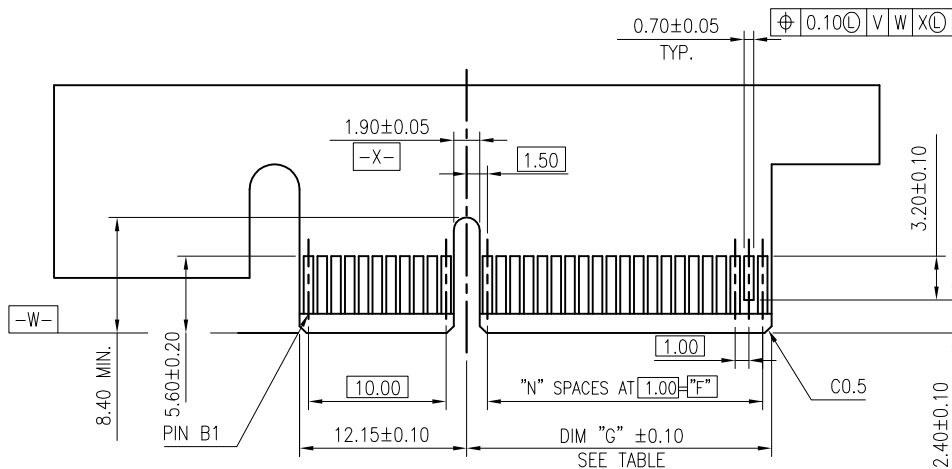


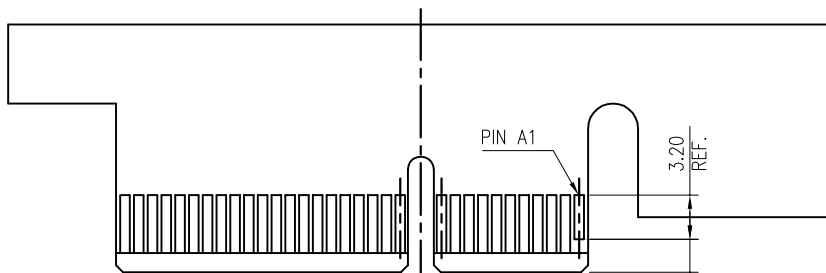
HOLD DOWN TYPE

Amphenol FCI

mat'l. code		-		surface	58	tolerance	ISO 1302	ISO 406	ISO 101	projection	product family		
ltr		ecn no	dr	date	tolerances unless otherwise specified			MM			PCI_EXPRESS		
L	ELX-DG-21161-1	ST	2015/05/27	angles	.X±.3			scale 1			title		
M	ELX-DG-24164	ZH	2016/06/01		linear .XX±.20						PCI_EXPRESS_CARD_EDGE_GEN3 ASSEMBLY(SMT)		
N	ELX-DG-25671-1	ZH	2016/12/19		0°±2°						XXX±.10		
P	ELX-DG-27937	ZH	2017/09/12	dr	ZHENHUA_LIU	2015/05/27	Amphenol FCI			dwg no		sheet 1 of 6	size
R	ELX-DG-37597	ZH	2020/06/18	engr	ZHENHUA_LIU	2015/05/27				10061913		A4	
				chr						type		CUSTOMER Drawing	
sheet index		revision	R	appd HEAVEN_CEN			2015/05/27						



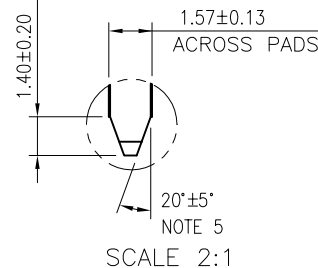
I/O PANEL DIRECTION  
PRIMARY (COMPONENT) SIDE



I/O PANEL DIRECTION  
SECONDARY (SOLDER) SIDE

PIN "F" SEE TABLE  
NOTE 4

PIN "F" SEE TABLE  
NOTE 4

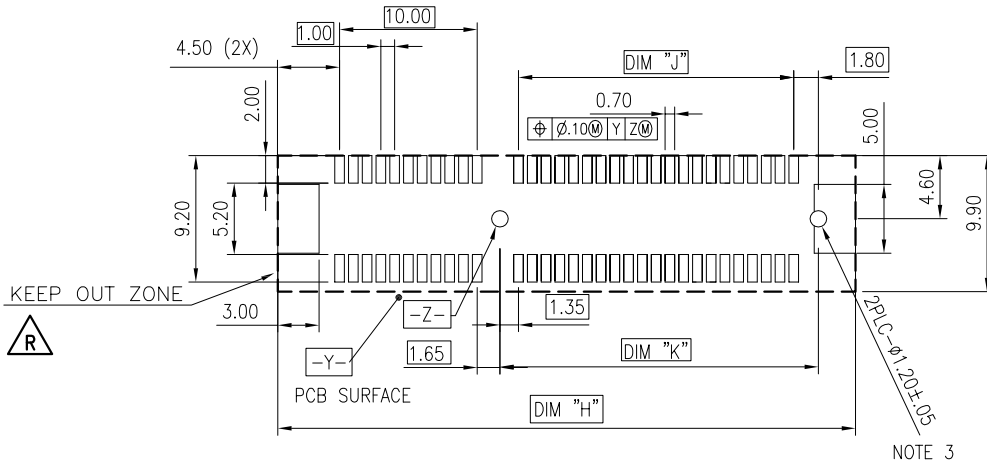


#	POS	REF.	N	DIM "G"	DIM "F"	"F"
36	6		6	8.15	6.00	B17
64	20		20	22.15	20.00	B31
98	37		37	39.15	37.00	B48
164	70		70	72.15	70.00	B81

PIN "F" SEE TABLE  
NOTE 4

ADD-IN CARD EDGE-FINGER DIMENSIONS

mat'l. code		surface 58/ISO 1302		tolerance ISO 406 ISO 101		projection		product family		
-		✓		ISO 406 ISO 101		101		PCI_EXPRESS		
ltr	ecn no	dr	date	tolerances unless otherwise specified				title		
				angles	linear		MM		PCI_EXPRESS_CARD_EDGE_GEN3 ASSEMBLY(SMT)	
				0°±2'	.X±.3 .XX±.20 XXX±.10		scale 2			
		dr	ZHENHUA_LIU	2015/05/27			dwg no		sheet 2 of 6	size
		enr	ZHENHUA_LIU	2015/05/27			10061913		A4	
		chr					type		CUSTOMER Drawing	
		appd	HEAVEN_CEN	2015/05/27						
sheet index	revision sheet	R								



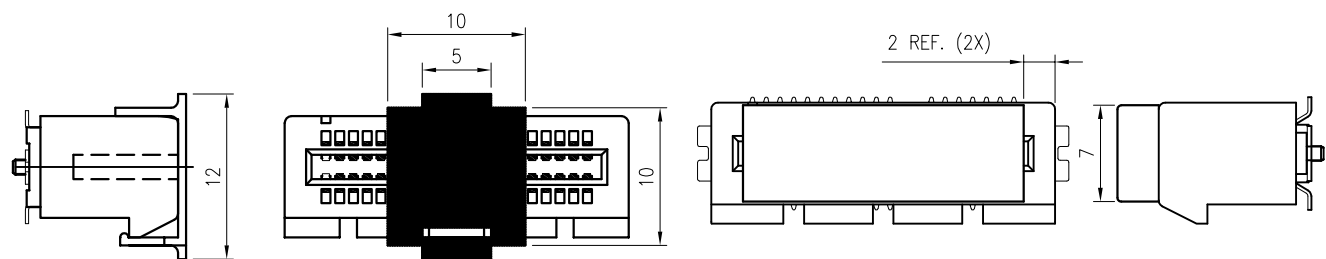
NOTE 3

RECOMMENDED PCB LAYOUT, PAD TYPE

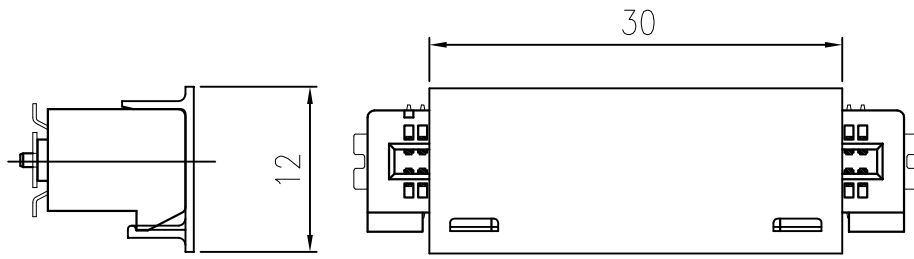
DIMENSIONS								
POSITION	A	B $\begin{smallmatrix} +0.15 \\ -0.05 \end{smallmatrix}$	C $\pm 0.20$	D $\pm 0.23$	E $\pm 0.20$	H $\pm 0.10$	J	K $\pm 0.10$
36	6.00	7.65	9.15	25.00	27.00	28.00	6.00	9.15
64	20.00	21.65	23.15	39.00	41.00	42.00	20.00	23.15
98	37.00	38.65	40.15	56.00	58.00	59.00	37.00	40.15
164	70.00	71.65	73.15	89.00	91.00	92.00	70.00	73.15

POSTION OF CAP

POSTION OF DUMMY CARD



POSTION OF CUSTOMIZED CAP(30X12)



Amphenol FCI

© 2016 AFCI

mat'l. code				surface 58/ISO 1302		tolerance ISO 406 ISO 101		projection		product family			
-				✓				101		PCI_EXPRESS			
ltr	ecn no	dr	date	tolerances unless otherwise specified						title			
				angles		linear		MM		PCI_EXPRESS_CARD_EDGE_GEN3 ASSEMBLY(SMT)			
				0°±2'		.X±.3 .XX±.20 XXX±.10		scale 2		dwg no		sheet 3 of 6	size
				dr ZHENHUA_LIU 2015/05/27				Amphenol FCI		10061913		A4	
				engr ZHENHUA_LIU 2015/05/27						type		CUSTOMER Drawing	
				chr									
				appd HEAVEN_CEN 2015/05/27									
sheet index		revision sheet		R									

NOTES:

1.MATERIAL:

HOUSING: NYLON, GLASS FILLED UL94V-0 RATE, SUITABLE FOR I.R SOLDERING.

TERMINAL: COPPER ALLOY

PLATING: 50u" NICKEL UNDERPLATE ALL OVER CONTACT AREA PLATING - SEE PRODUCT NUMBER CODE SOLDER TAIL: TIN 100u" OVER 50u" NICKEL

METAL PADS: COPPER ALLOY FINISH: 100u" TIN OVER 50u" NICKEL

2.PRODUCT SPECIFICATION: GS-12-390

③THE HORIZONTAL AXIS FOR THE PAD PATTERN IS ESTABLISHED BY

A LINE THROUGH THE CENTER OF THE TWO Ø1.0 HOLES.

THE VERTICAL AXIS IS 90° TO THE HORIZONTAL AXIS, THROUGH THE CENTER OF DATUM [Z-]

④NO TIE BAR PERMITTED FROM CARD EDGE TO LEADING EDGE OF PAD FOR PINS A1.

⑤CHAMFER EDGES MUST BE FREE OF CUTTING BURRS.

6.RoHS COMPATIBLE PRODUCT SPECIFICATIONS

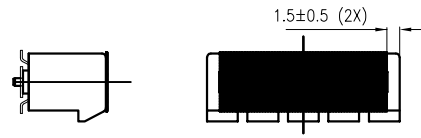
a - PLATING:

- "LF" MEANS THE PRODUCT IS LEAD-FREE

b - MANUFACTURING PROCESS COMPATIBILITY

- THE HOUSING WILL WITHSTAND EXPOSURE TO 260°C±5°C PEAK TEMPERATURE FOR 5 SECONDS IN A CONVECTION, INFRA-RED OR VAPOR PHASE REFLOW OVEN.

7.A [R]SYMBOL WILL BE NEXT TO ANY DIMENSION, VIEW, OR NOTE WHICH HAS BEEN MODIFIED WITH CURRENT DRAWING REVISION.



POSITION OF MYLAR



POSITION OF MYLAR (10061613-XX3WLF)



PRODUCT NUMBER CODE

10061913-X X X X L F LEAD FREE

HOUSING COLOR OPTIONS

- 0-WHITE
1-BLACK

PACKAGING OPTIONS

- T-TRAY PACKAGING WITHOUT CAP
C-TRAY PACKAGING WITH CAP
N-TRAY PACKAGING WITH MYLAR
G-TRAY PACKAGING WITH DUMMY CARD
Y-TRAY FOR VACUUM PACKAGING
R-TAPE & REEL PACKAGING WITHOUT CAP OR MYLAR (FOR 36P & 64P & 98P OPTIONS ONLY)
P-TAPE & REEL PACKAGING WITH CAP (FOR 36P & 64P & 98P OPTIONS ONLY)
K-TAPE & REEL PACKAGING WITH CAP (FOR 36P & 64P & 98P OPTIONS ONLY, ONE BAG PER REEL)
Q-TAPE & REEL PACKAGING WITH CAP (24MM PITCH FOR 98P ONLY)
M-TAPE & REEL PACKAGING WITH MYLAR (FOR 36P & 64P OPTIONS ONLY)
J-TAPE & REEL PACKAGING WITH MYLAR (24MM PITCH FOR 98P & 164P ONLY)
U-REEL FOR VACUUM PACKAGING
A-44MM WIDTH TAPE&REEL PACKING WITH MYLAR(FOR 36P ONLY)
Y-HARD TRAY(338x234) (FOR 36P, 98P & 164P OPTION ONLY)
Z-HARD TRAY(338x234) WITH MYLAR (FOR 36P, 98P & 164P OPTION ONLY)
W-HARD TRAY(338x234) WITH 53mm(L) MYLAR (FOR 164P OPTION ONLY)
B-HARD TRAY(338x234) WITH CAP (FOR 36P, 98P & 164P OPTION ONLY)
H-CUSTOMIZED HARD TRAY(330x235x19.3) WITH 30mm CUSTOMIZED CAP (FOR 98 & 164P OPTION ONLY)
D-SMALLER HARD TRAY WITH CHAMFER AT LEFT-BOTTOM SIDE (323x136x19) WITH 30mm CAP (FOR 164P ONLY)
E-CUSTOMIZED HARD TRAY(330x235x19.3) WITH MYLAR (FOR 98 & 164P OPTION ONLY)
F-SMALLER HARD TRAY WITH CHAMFER AT LEFT-BOTTOM SIDE (323x136x19) (FOR 164P ONLY)
L-CUSTOMIZED HARD TRAY(298x185x19.3) WITH CAP (FOR 164P OPTION ONLY)

TERMINAL PLATING OPTIONS

- 0-50u" Ni UNDERPLATE
30u" Au CONTACT AREA
100u" TIN TAIL AREA ----- COMPATIBLE RoHS
1-50u" Ni UNDERPLATE
15u" Au CONTACT AREA
100u" TIN TAIL AREA ----- COMPATIBLE RoHS
2-50u" Ni UNDERPLATE
GOLD FLASH CONTACT AREA
100u" TIN TAIL AREA ----- COMPATIBLE RoHS
3-50u" Ni UNDERPLATE
30u" Au CONTACT AREA
GOLD FLASH TAIL AREA ----- COMPATIBLE RoHS

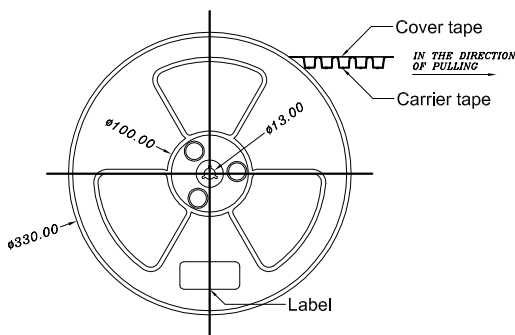
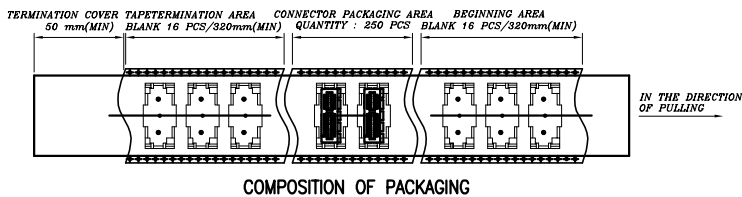
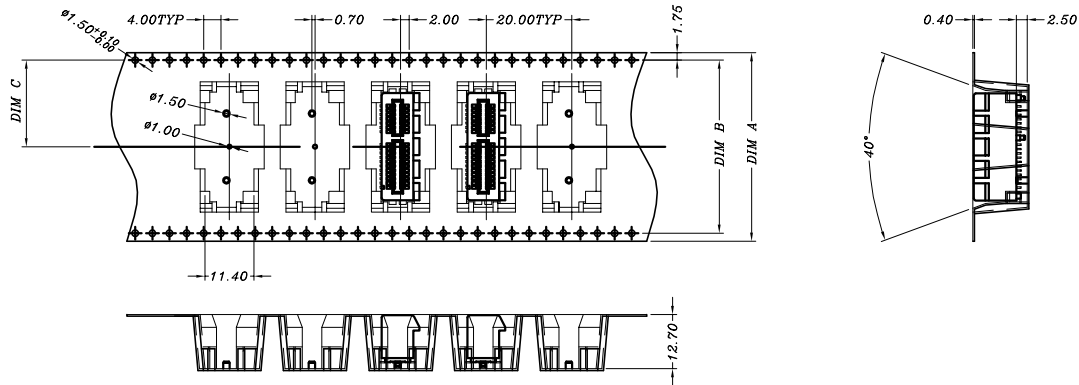
POS OPTIONS

- 0-36
1-64
2-98
3-164

Amphenol FCI

© 2016 AFCI

Table with columns for material code, surface, tolerance, projection, product family, title, and drawing information. Includes Amphenol FCI logo and drawing title 'PCI\_EXPRESS\_CARD\_EDGE\_GEN3 ASSEMBLY(SMT)'.



TAPE AND REEL  
 PACKING  
 RECOMMENDED FOR  
 36PINS ONLY

DIMENSIONS					
POSITIONS	A	B	C	D REF.	E REF.
36 (10061913-xxxALF)	44.00	40.40	20.20	44.5	50.5
36	56.00	52.60	26.30	56.4	60.4
64	56.00	52.60	26.30	56.4	60.4
98	88.00	79.60	39.80	88.4	92.4

Amphenol  
 FCI

© 2016 AFCI

mat'l. code		surface 58 / tolerance		projection		product family	
-		ISO 1302 ✓ ISO 406 ISO		101		PCI_EXPRESS	
ltr	ecn no	dr	date	tolerances unless otherwise specified		title	
				angles		PCI_EXPRESS_CARD_EDGE_GEN3 ASSEMBLY(SMT)	
				linear		MM	
				0°±2'		scale 1	
		dr	ZHENHUA_LIU	2015/05/27			
		engr	ZHENHUA_LIU	2015/05/27			
		chr					
		appd	HEAVEN_CEN	2015/05/27			
sheet index		revision sheet	R			dwg no	
						sheet 5 of 6	
						size	
						A4	
						type	
						CUSTOMER Drawing	

1 For PCI EXPRESS SMT TYPE 36P ONLY.

2. Material :

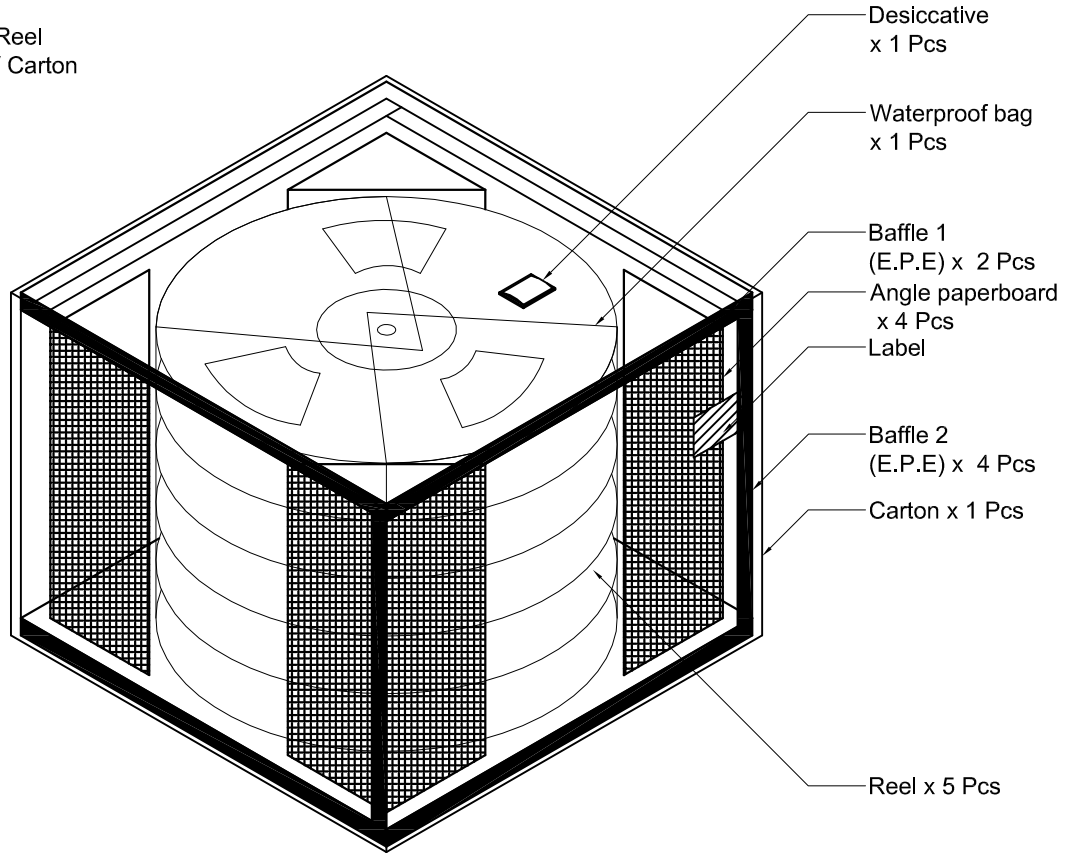
- 2.1 Reel :
  - 2.1.1 Plastic hub : High Impact Polystyrene
  - 2.1.2 Cover tape : PE
  - 2.1.3 Carrier tape : ABS
- 2.2 Waterproof bag : PE
- 2.3 Desiccative : Silica Gel
- 2.4 Carton : Corrugated paper
- 2.5 Baffle : E.P.E
- 2.6 Angle paperboard : Corrugated paper

3. Dimension :

- 3.1 Reel :
  - 3.1.1 Plastic hub :  $\phi 330 \times T50.5$  mm
  - 3.1.2 Cover tape :  $5690(L) \times 37.4(W)$  mm
  - 3.1.3 Carrier tape :  $5640(L) \times 44(W)$ mm
- 3.2 Waterproof bag :  $600(H) \times 465(W) \times 0.06(T)$  mm
- 3.3 Desiccative : 25 gram / Package
- 3.4 Carton :  $380(L) \times 380(W) \times 300(H)$  mm
- 3.5 Baffle (1):  $370(L) \times 370(W) \times 15(H)$  mm
- 3.6 Baffle (2):  $355(L) \times 252(W) \times 15(H)$  mm
- 3.7 Angle paperboard :  $252(H)$

4. Quantity :

- 4.1 250 Pcs / Reel
- 4.2 1250 Pcs / Carton



Amphenol FCI

© 2016 AFCI

mat'l. code		surface 58 / tolerance		projection		product family		
-		ISO 1302 ✓ / ISO 406 ISO 101				PCI_EXPRESS		
ltr	ecn no	dr	date	tolerances unless otherwise specified		title		
				angles linear		PCI_EXPRESS_CARD_EDGE_GEN3 ASSEMBLY(SMT)		
				.X±.3		MM		
				.XX±.20		scale 1		
				0°±2'		XXX±.10		
		dr	ZHENHUA_LIU	2015/05/27		dwg no	sheet 6 of 6	size
		engr	ZHENHUA_LIU	2015/05/27		10061913	A4	
		chr						
		appd	HEAVEN_CEN	2015/05/27		type	CUSTOMER Drawing	
sheet index	revision sheet	R						