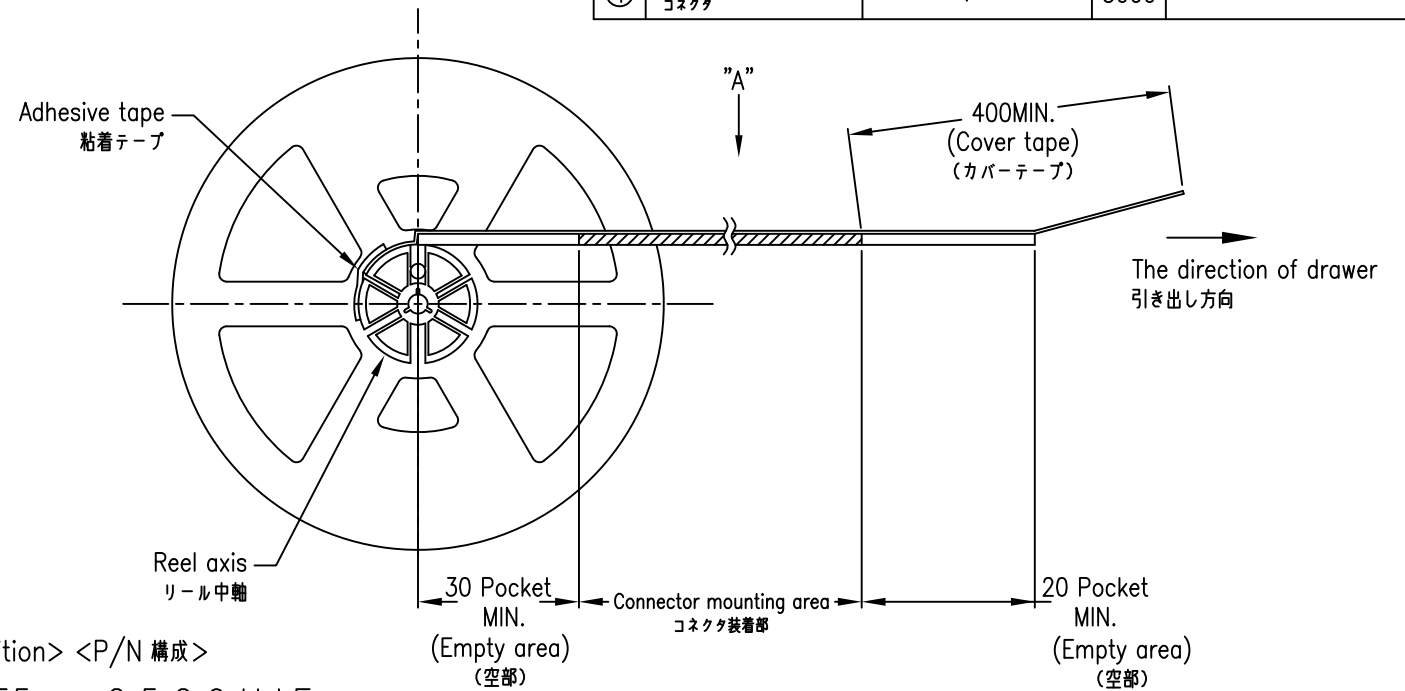
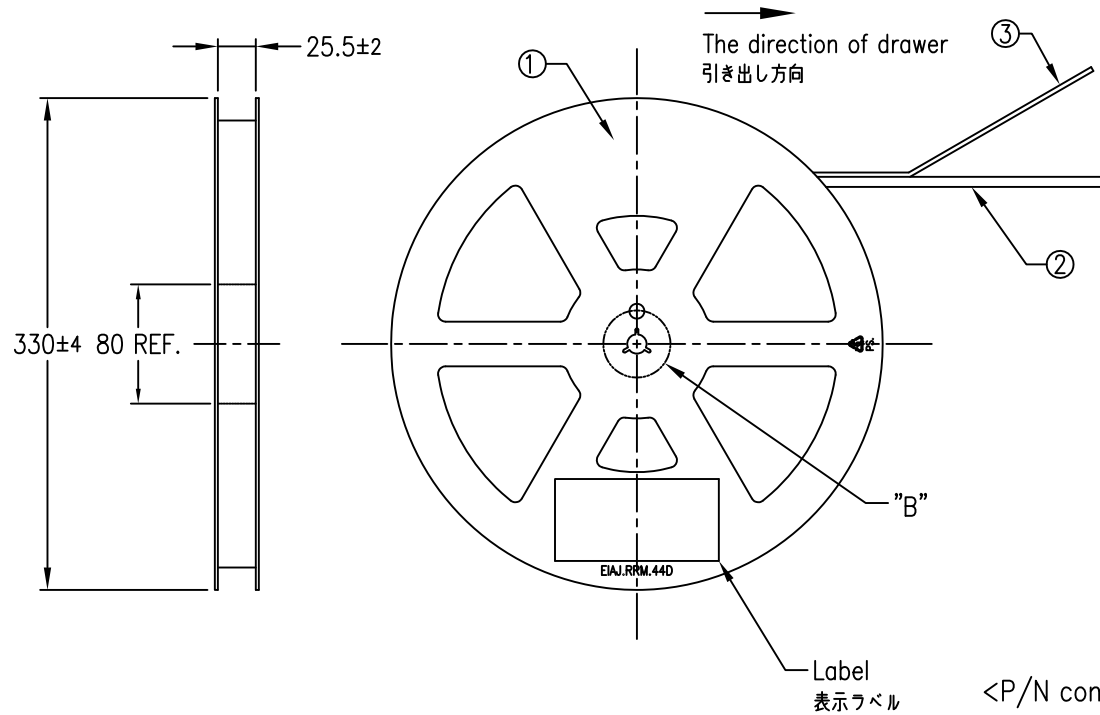


PRODUCT NO.

10064555-\*\*2\*\*0\*LF

PARTS TABLE 部品表

No.	Part name 部品名	Material 材質	QTY.	Note 備考
①	The reel for packaging 梱包用リール	Polystyrene ポリスチレン	1	Color : White, Electrification prevention processing 色:白、帯電防止処理品
②	Emboss tape エンボステープ	PP or PET	1	Electrification prevention processing 帯電防止処理品
③	Cover tape カバーテープ	Polyester ポリエステル	1	
④	Connector コネクタ	See sheet 2,3	3000	

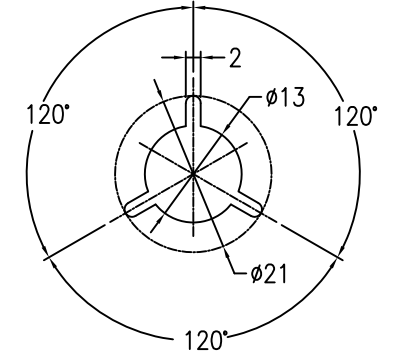


<P/N composition> <P/N 構成>

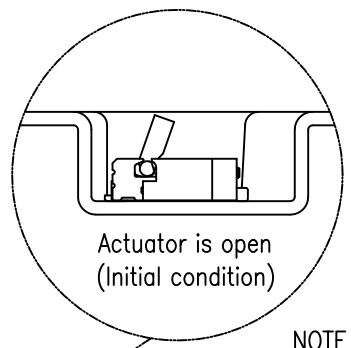
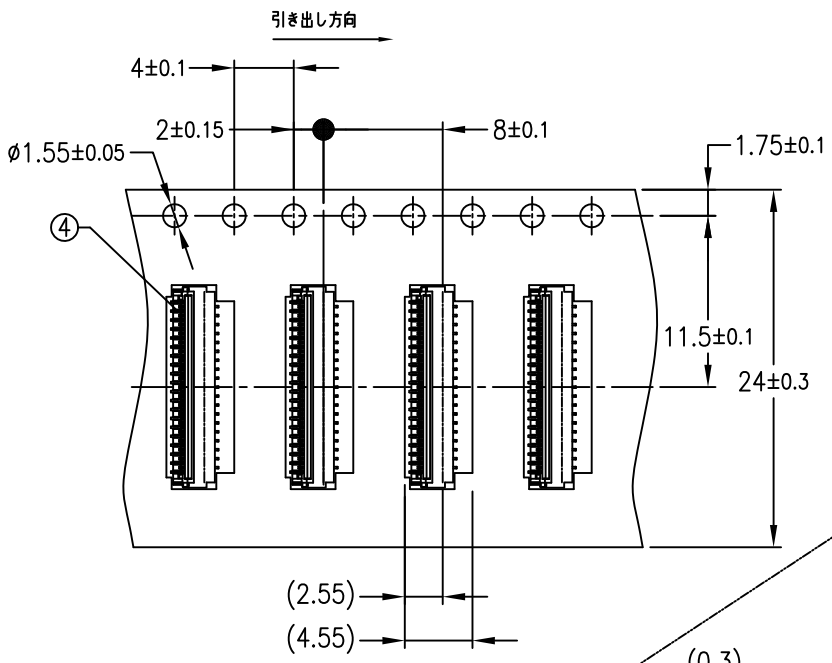
△ 10064555-xx 2 5 2 0 H L F

- Lead Free
- Mold material
- Embossing tape package 0: 8mm PITCH
- TYPES OF PRODUCT
- Contact Side 2: UPPER SIDE
- No of position
- Series name

- 1E : Non-Halogen free
- 2H : Halogen free
- 1: SMT / WITH CABLE LOCK
- 2: SMT / WITHOUT CABLE LOCK
- 5: SMT / WITH CABLE LOCK, WITH ACT BOSS



DETAIL "B" (1/1)  
"B" 部詳細図 (1/1)



NOTE

1. This article carries out the emboss tape package of the P/N10064555 series connector.
2. The shape and dimension of this article are based on JIS C 0806.  
(Taping of electronic parts (Surface mounted device))

注記

1. 本品は P/N10064555シリーズをエンボステープ梱包したものである。
2. 本品の形状及び寸法規定は JIS C 0806 (電子部品のテーピング (表面実装部品)) に準拠する。

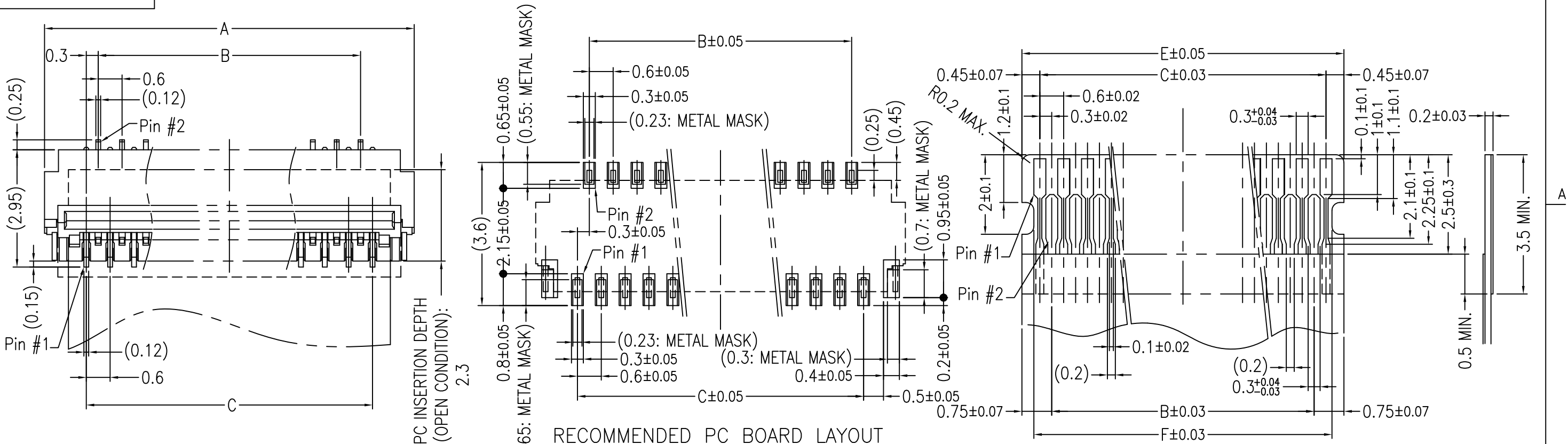
mat'l. code		surface		tolerance		projection		product family	
SEE_TABLE		ISO 1302 ✓		ISO 406 ISO 1101		MM		FFC-FPC SYSTEMS	
ltr	ecn no	dr	date	tolerances unless otherwise specified		MM		title	
A	J06-0368	Y.K	09/06/'06	angles	linear	O.X/±0.3		ASSEMBLY	
B	J07-0472	Y.K	2007-9-21	0°±3'		O.XX/±0.3		0.3mm PITCH CONNECTOR FOR FPC	
C	J08-0064	Y.K	2008-2-12	0°±3'		O.XXX/±0.3		YLL-U Series	
D	J08-0419	Y.K	2008-10-29	dr	Y.KAMEDA	2019-04-19		dwg no	
E	J11-0067	Y.K	2011-03-16	enrg	Y.KAMEDA	2019-04-19		sheet 1 of 4	
F	J11-0284	Y.K	2011-12-15	chr	H.SUZUKI	2019-04-19		size 5	
G	ELX-J-33301	Y.K	2019-04-19	appd	N.SASAME	2019-04-19		A3	
sheet		revision		G		G		type	
index		sheet		1		2		CUSTOMER Drawing	

Amphenol FCI

© 2016 AFCl

PRODUCT NO.

10064555--\*\*21\*\*LF



NOTE

1.MATERIAL

1)HOUSING:THERMOPLASTIC RESIN,UL94V-0, BLACK

2)ACTUATOR:THERMOPLASTIC RESIN,UL94V-0, BEIGE

3)CONTACT:COPPER ALLOY

4)FIXING TAB: COPPER ALLOY

2.FINISH

1)CONTACT: ALL OVER Ni,(CONTACT AREA) Au FLASH. ,(SOLDER TAIL AREA) Au FLASH.

2)FIXING TAB: ALL OVER Ni , Sn PLATING 1.5~3.5μm

3.CO-PLANARITY: 0.1 MAX.

4.THICKNESS OF A METAL MASK: 0.1mm

5.FPC

1)ADHESIVE METHOD OF SUPPORTING TAPE SHALL BE HEAT CRIMPING METHOD AND THERMOSETTING ADHESIVE MATERIAL SHALL BE USED.

6.PRODUCT

1)RECOMMENDED PCB LAYOUT and FPC ARE THE SAME AS 10061122 Series (YLL-DOWN CONTACT TYPE).

7.OTHER

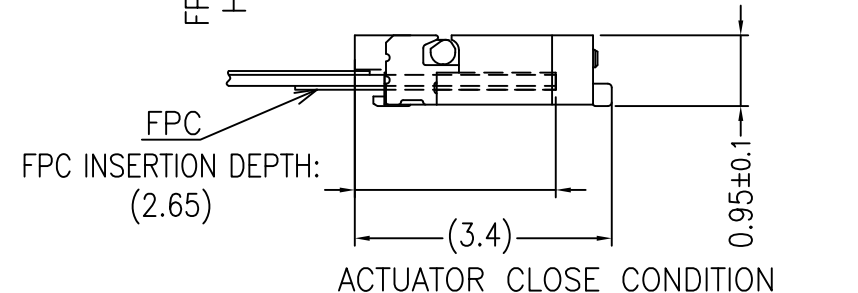
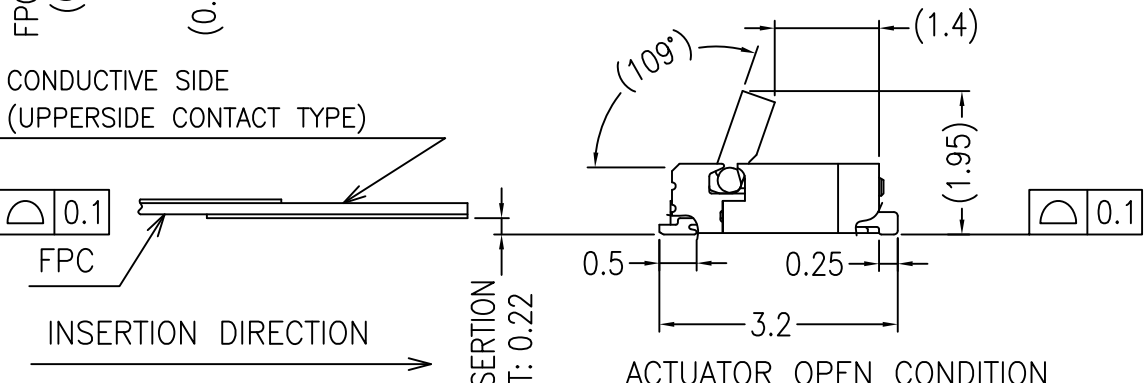
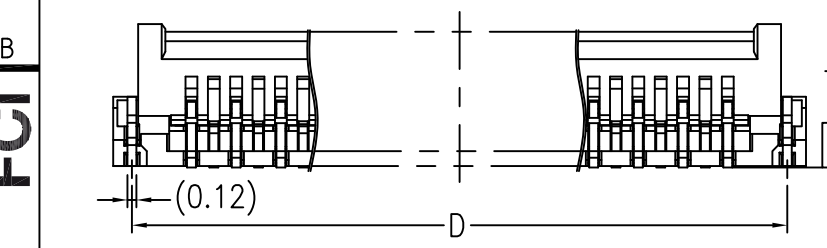
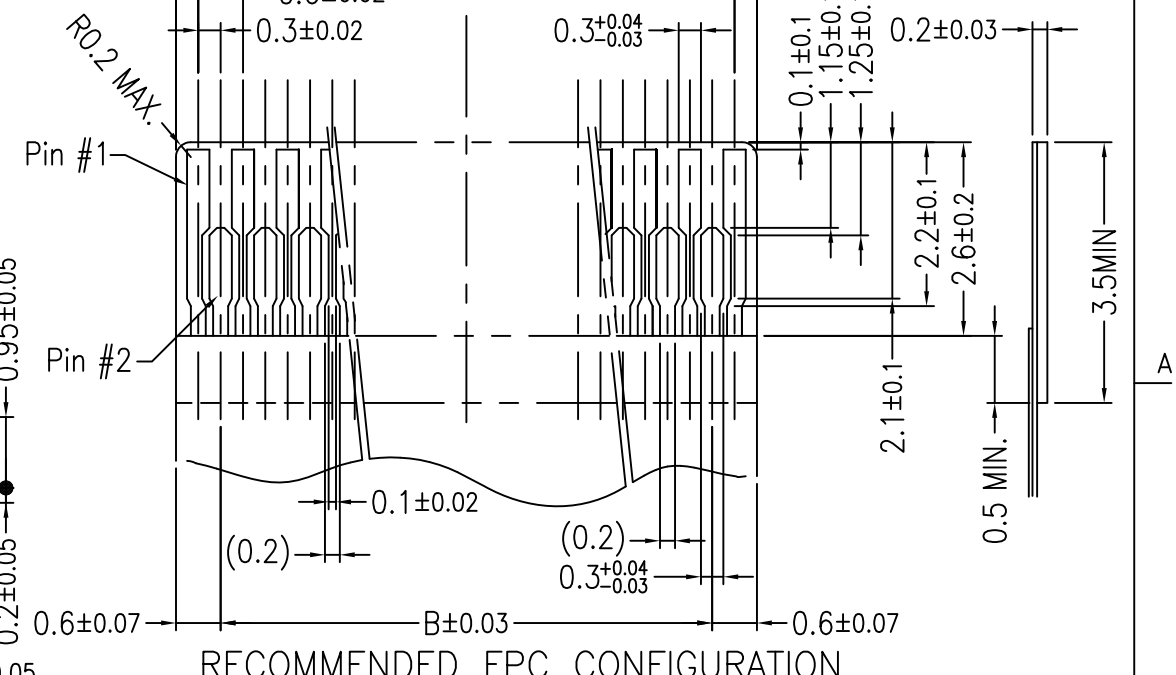
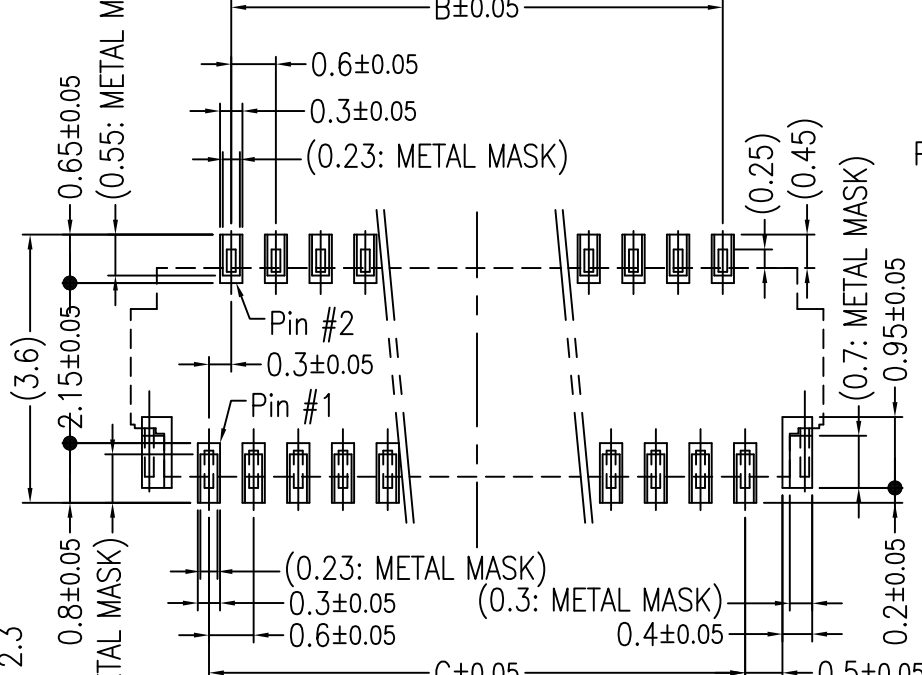
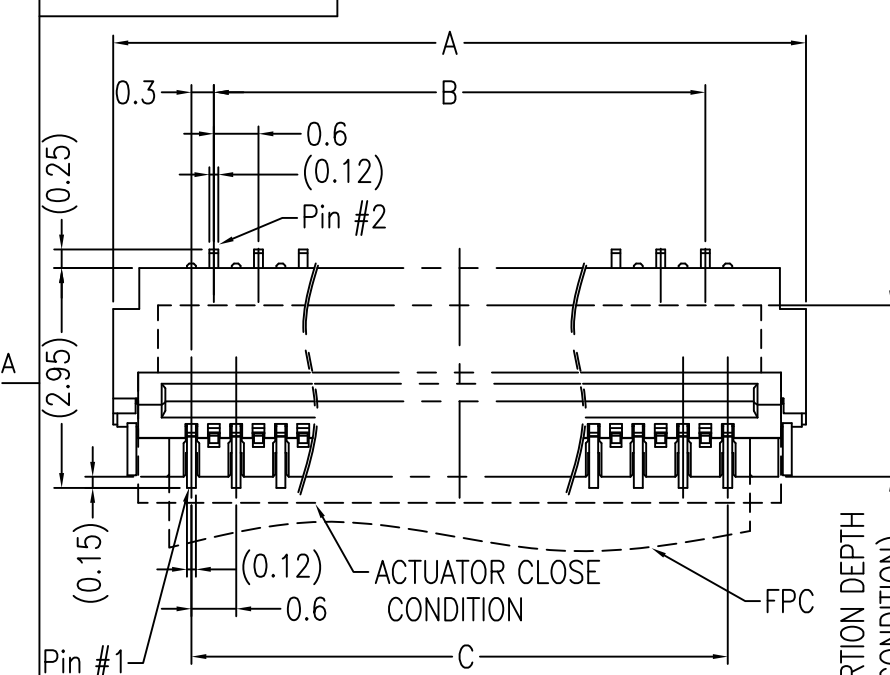
This product meets European Union Directives and other country regulations as described in GS-47-0004.

10064555-39211LF	13.5	10.8	11.4	13.0	12.3	11.7
10064555-39212HLF						
10064555-35211LF	12.3	9.6	10.2	11.8	11.1	10.5
10064555-33211LF	11.7	9	9.6	11.2	10.5	9.9
10064555-31211LF	11.1	8.4	9	10.6	9.9	9.3
10064555-25211LF	9.3	6.6	7.2	8.8	8.1	7.5
10064555-21211LF	8.1	5.4	6.0	7.6	6.9	6.3
10064555-15211LF	6.3	3.6	4.2	5.8	5.1	4.5
P/N	A	B	C	D	E	F

mat'l. code		surface		tolerance		projection		product family	
SEE_TABLE		ISO 1302		ISO 406 ISO 1101		MM		FFC-FPC SYSTEMS	
ltr		ecn no		dr		date		title	
G		ECN-J-33301		Y.K		2019-04-19		ASSEMBLY	
		angles		linear		tolerances unless otherwise specified		0.3mm PITCH CONNECTOR FOR FPC	
		0°±3'		0.X/±0.3		0.XX/±0.3		YLL-U Series	
				0.XXX/±0.3		scale 10:1		dwg no	
		dr		Y.KAMEDA		2019-04-19		sheet 2 of 4	
		enr		Y.KAMEDA		2019-04-19		size	
		chr		H.SUZUKI		2019-04-19		5	
		appd		N.SASAME		2019-04-19		10064555	
sheet index		revision sheet						A3	
								type	
								Product Customer Drawing	

PRODUCT NO.

10064555-\*\*22\*LF



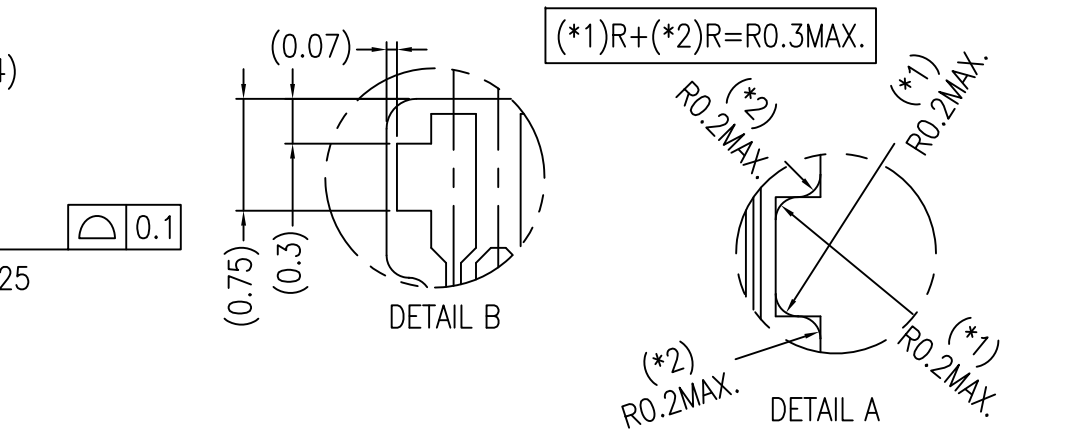
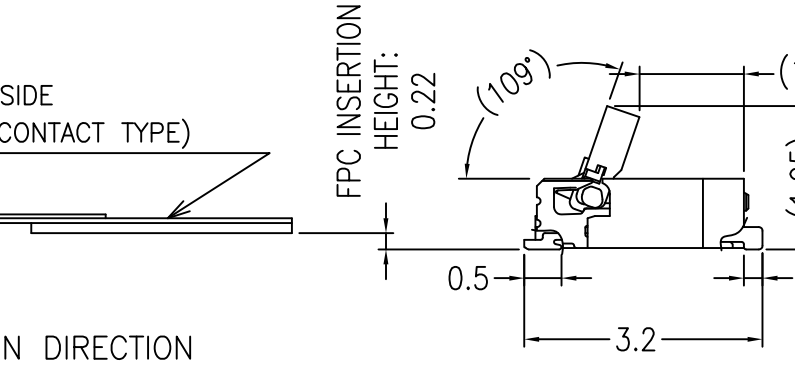
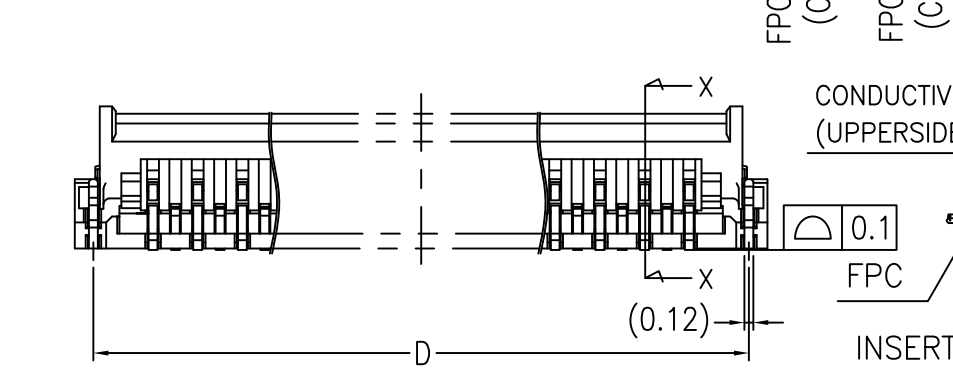
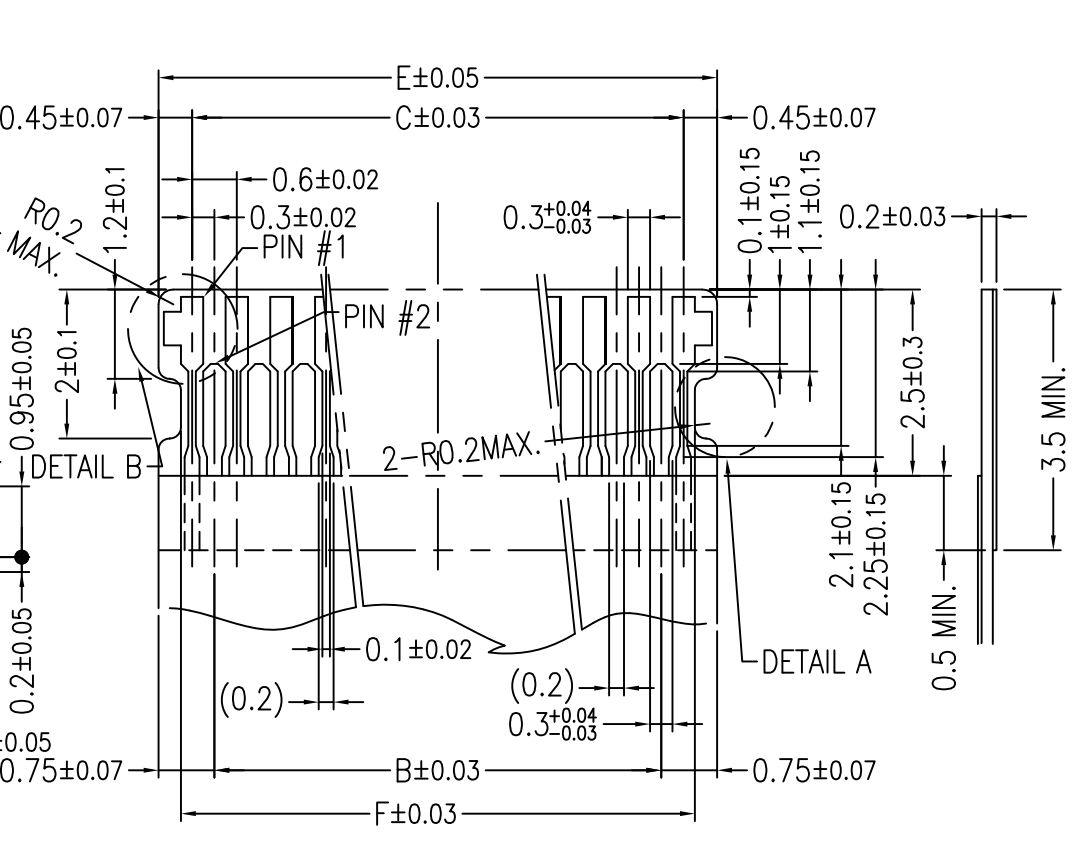
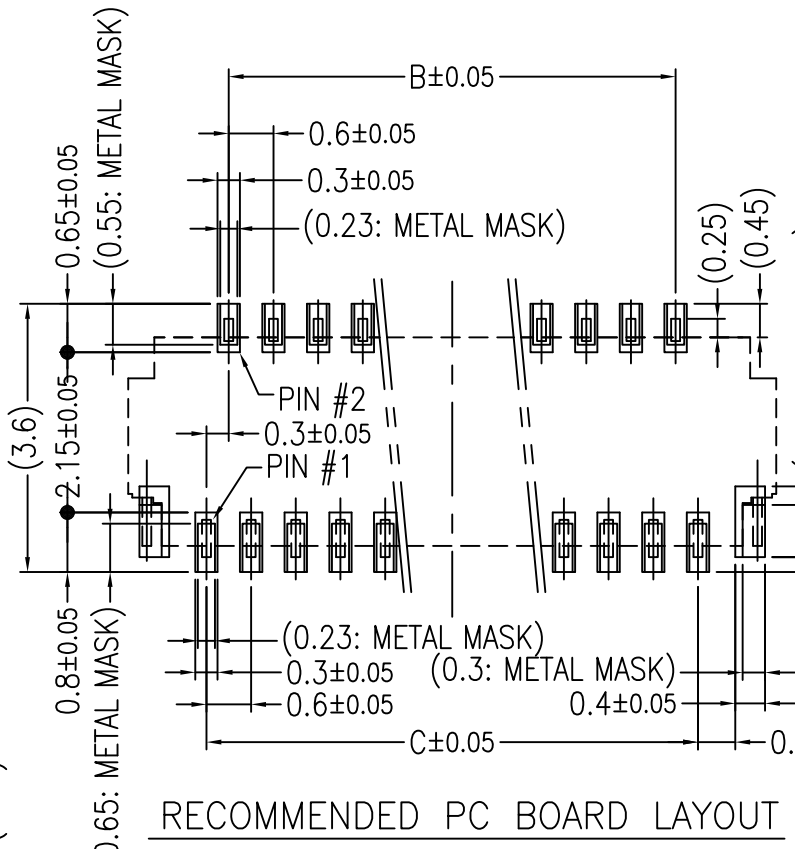
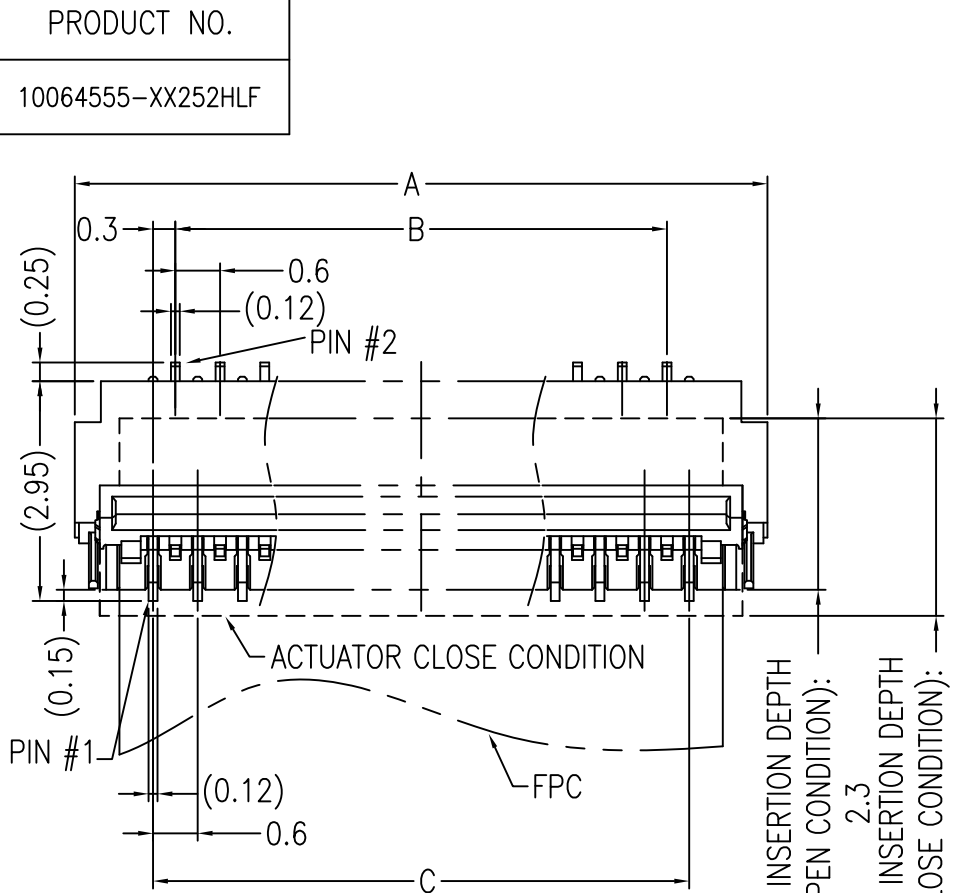
10064555-41221LF	14.1	11.4	12.0	13.6	12.6
10064555-39221LF	13.5	10.8	11.4	13.0	12.0
10064555-37221LF	12.9	10.2	10.8	12.4	11.4
10064555-33221LF	11.7	9	9.6	11.2	10.2
10064555-31221LF	11.1	8.4	9	10.6	9.6
10064555-27221LF	9.9	7.2	7.8	9.4	8.4
10064555-25221LF	9.3	6.6	7.2	8.8	7.8
10064555-23221LF	8.7	6	6.6	8.2	7.2
10064555-21221LF	8.1	5.4	6.0	7.6	6.6
10064555-15222HLF	6.3	3.6	4.2	5.8	4.8
P/N	A	B	C	D	E

NOTE  
 1.MATERIAL  
 1)HOUSING:THERMOPLASTIC RESIN,UL94V-0, BLACK  
 2)ACTUATOR:THERMOPLASTIC RESIN,UL94V-0, BEIGE  
 3)CONTACT:COPPER ALLOY  
 4)FIXING TAB: COPPER ALLOY  
 2.FINISH  
 1)CONTACT: ALL OVER Ni,(CONTACT AREA) Au FLASH. ,(SOLDER TAIL AREA) Au FLASH.  
 2)FIXING TAB: ALL OVER Ni , Sn PLATING 1.5~3.5μm  
 3.CO-PLANARITY: 0.1 MAX.  
 4.THICKNESS OF A METAL MASK: 0.1mm  
 5.FPC  
 1)ADHESIVE METHOD OF SUPPORTING TAPE SHALL BE HEAT CRIMPING METHOD AND THERMOSETTING ADHESIVE MATERIAL SHALL BE USED.  
 6.PRODUCT  
 1)RECOMMENDED PCB LAYOUT and FPC ARE THE SAME AS 10061122 Series(YLL-DOWN CONTACT TYPE).  
 7.OTHER  
 This product meets European Union Directives and other country regulations as described in GS-47-0004.

mat'l. code SEE_TABLE				surface ISO 1302 ✓	tolerance ISO 406 ISO 1101	projection MM	product family FFC-FPC SYSTEMS
ltr	ecn no	dr	date	tolerances unless otherwise specified		MM	title ASSEMBLY 0.3mm PITCH CONNECTOR FOR FPC YLL-U Series
G	ECN-J-33301	Y.K	2019-04-19	angles	0.X/±0.3		
				linear	0.XX/±0.3		
				0°±3'	0.XXX/±0.3	scale 10:1	
				dr	Y.KAMEDA 2019-04-19		dwg no
				enr	Y.KAMEDA 2019-04-19		sheet 3 of 4
				chr	H.SUZUKI 2019-04-19		size 5
				appd	N.SASAME 2019-04-19		10064555
sheet index	revision sheet						A3
							Product Customer Drawing

PRODUCT NO.

10064555-XX252HLF



NOTE  
 1.MATERIAL  
 1)HOUSING:THERMOPLASTIC RESIN,UL94V-0, BLACK  
 2)ACTUATOR:THERMOPLASTIC RESIN,UL94V-0, BEIGE  
 3)CONTACT:COPPER ALLOY  
 4)FIXING TAB: COPPER ALLOY  
 2.FINISH  
 1)CONTACT: ALL OVER Ni,(CONTACT AREA) Au FLASH. ,(SOLDER TAIL AREA) Au FLASH.  
 2)FIXING TAB: ALL OVER Ni, Sn PLATING 1.5~3.5μm  
 3.CO-PLANARITY: 0.1 MAX.  
 4.THICKNESS OF A METAL MASK: 0.1mm  
 5.FPC  
 1)ADHESIVE METHOD OF SUPPORTING TAPE SHALL BE HEAT CRIMPING METHOD AND THERMOSETTING ADHESIVE MATERIAL SHALL BE USED.  
 6.PRODUCT  
 1)RECOMMENDED PCB LAYOUT and FPC ARE THE SAME AS 10061122 Series(YLL-DOWN CONTACT TYPE).  
 7.OTHER  
 This product meets European Union Directives and other country regulations as described in GS-47-0004.

10064555-27252HLF	9.9	7.2	7.8	9.4	8.7	8.1
10064555-23252HLF	8.7	6.0	6.6	8.2	7.5	6.9
10064555-21252HLF	8.1	5.4	6.0	7.6	6.9	6.3
10064555-17252HLF	6.9	4.2	4.8	6.4	5.7	5.1
P/N	A	B	C	D	E	F

mat'l. code		surface ISO 1302		tolerance ISO 406 ISO 1101		projection		product family HPL538 FLEX0.3	
ltr	ecn no	dr	date	tolerances unless otherwise specified		MM		title	
G	ECN-J-33301	Y.K	2019-04-19	angles	linear	O.X/±0.3 O.XX/±0.3 O.XXX/±0.3		ASSEMBLY	
sheet index		revision sheet		dr		scale 10:1		0.3mm PITCH CONNECTOR FOR FPC YLL-U Series	
				Y.KAMEDA 2019-04-19		Amphenol FCI		dwg no	
				Y.KAMEDA 2019-04-19				sheet 4 of 4	
				H.SUZUKI 2019-04-19				size 5	
				N.SASAME 2019-04-19				10064555	
								A3	
								type	
								CUSTOMER Drawing	