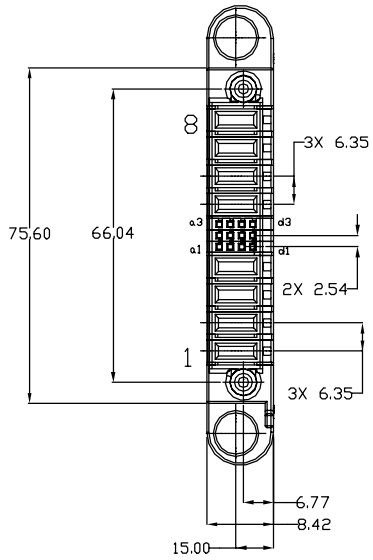
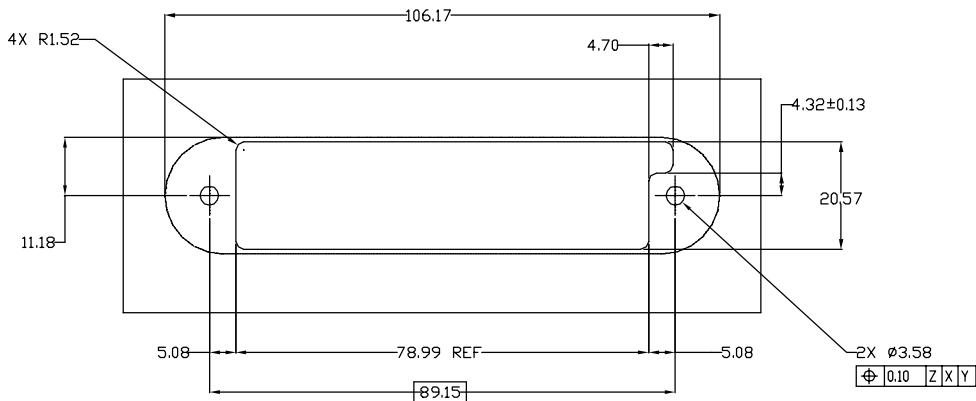
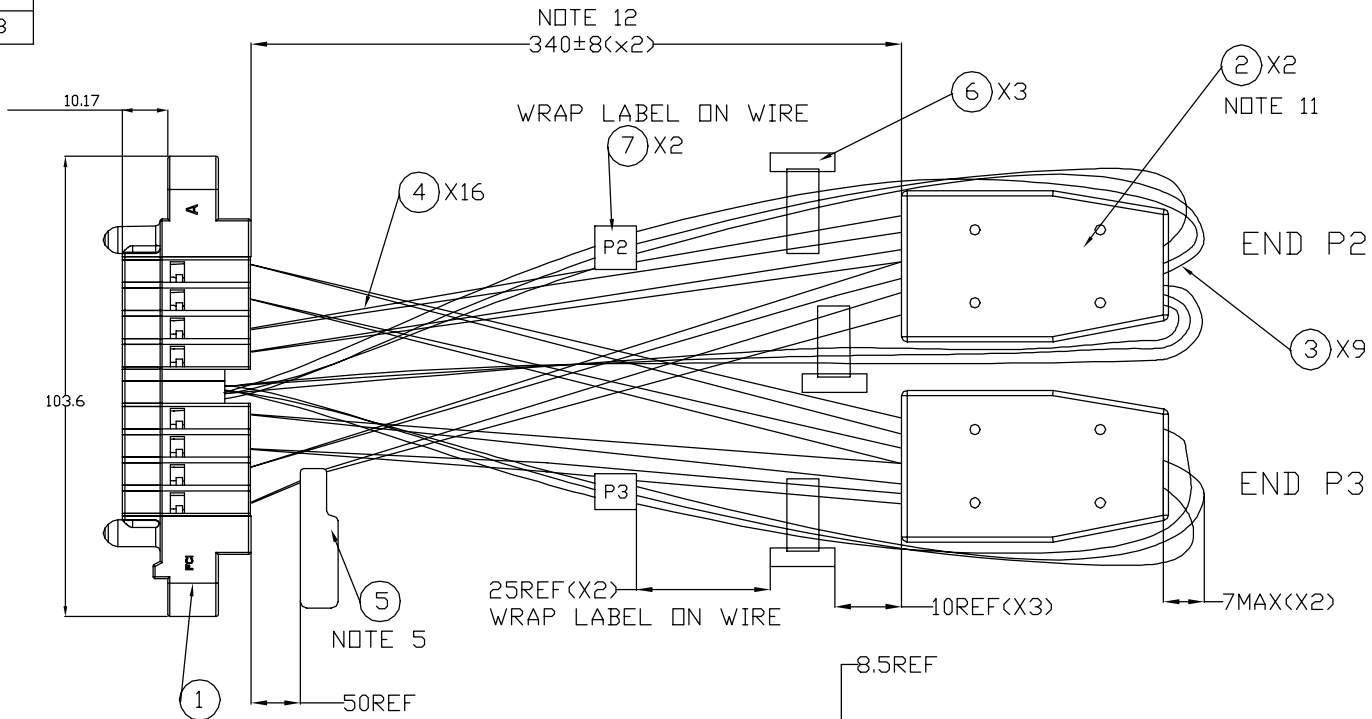


FCI P/N: NOTE 3 CUSTOMER P/N
 10080594-6KA0331LF RPM777372/00340 R1B



END P1
 NOTE 13 AND NOTE 14



RECOMMENDED BULKHEAD LAYOUT

mat'l. code		surface ISO 1302		tolerance ISO 406 ISO 1101		projection		product family Power blade	
l'tecn no.		dr		date		tolerances unless otherwise specified		title	
B		EON-ELX-N-17354		W.H		03-26'14		Pwr Blade 4P+12S+4P cable assy	
				angles		linear		MM	
								scale 4	
		dr		William.He		03-26'14		dwg no.	
		enrg		William.He		03-26'14		sheet 1 of 3	
		chr		GF.Jin		03-26'14		10080594-6KA0331LF	
		appd		Johnson		03-26'14		A3	
sheet index		revision		B				Type Customer Drawing	
		sheet		1					



Copyright FCI

Wire List Table

END P1		WIRE COLOR	END P2	END P3
Position	Wire Size		Position	Position
1	16AWG	BLACK	1	-
	16AWG	BLACK		
2	16AWG	BLACK	3	-
	16AWG	BLACK		
3	16AWG	BLACK	-	3
	16AWG	BLACK		
4	16AWG	BLACK	-	1
	16AWG	BLACK		
a1	22AWG	BLACK	b2	-
a2	22AWG	BLACK	c2	-
a3	22AWG	BLACK	d2	-
b1	22AWG	BLACK	b1	-
b2	22AWG	BLACK	c1	-
b3	22AWG	BLACK	d1	-
d1	22AWG	BLACK	-	b1
d2	22AWG	BLACK	-	c1
d3	22AWG	BLACK	-	d1
5	16AWG	BLACK	2	-
	16AWG	BLACK		
6	16AWG	BLACK	4	-
	16AWG	BLACK		
7	16AWG	BLACK	-	4
	16AWG	BLACK		
8	16AWG	BLACK	-	2
	16AWG	BLACK		

a1-END P2 22AWG BLACK a2-END P2

a1-END P3 22AWG BLACK a2-END P3

2	PC	LABEL	7
3	PC	CABLE TIE,WHITE	6
1	PC	LABEL	5
NA	MM	16awg(105/0.127),VW-1,Halogen free,DD:2.30mm	4
NA	MM	22awg(17/0.16),black,Halogen free,DD:1.58mm	3
2	PC	VERTICAL PRESS FIT 4P8S WITH OVERMOLD	2
1	PC	PwrBlade connector KIT 4P+12S+4P,BLACK	1
Qty	Unit	Description	Item

mat'l. code		surface		tolerance		projection		product family	
		ISO 1302		ISO 406 ISO 1101				Power blade	
ltnecrn no.		dr		date		tolerances unless otherwise specified		title	
B		EON-ELX-N-17354		W.H		03-26'14		Pwr Blade 4P+12S+4P cable assy	
				angles		linear		MM	
								scale 4	
				dr		William.He		03-26'14	
				enrg		William.He		03-26'14	
				chr		GF.Jin		03-26'14	
				appd		Johnson		03-26'14	
sheet		revision		B				dwg no.	
index		sheet		2				sheet 2 of 3	
								size	
								A3	
								Type Customer Drawing	

FCIconnect.com

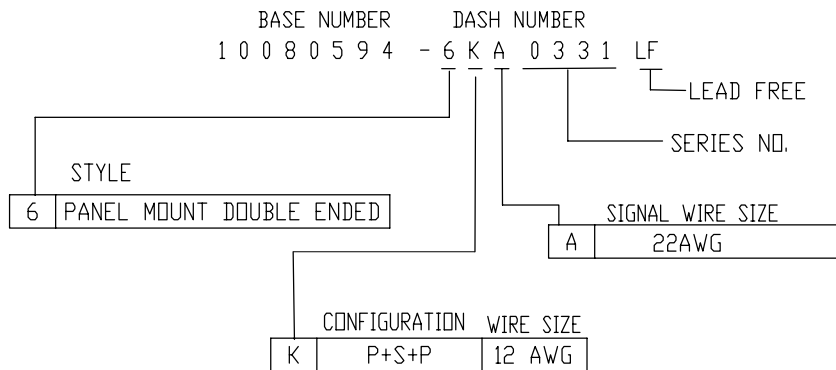
Copyright FCI

NOTES:

1. END "P1" MATES WITH FCI HEADER PART NUMBER 51700-10401204CALF.
 BOTH END "P2" AND "P3" MATE WITH HEADER 51963-059LF.

2. UNLESS OTHERWISE SPECIFIED ASSEMBLED LENGTH TOLERANCE =
 < = 1 METER: ±15.0mm
 > 1 METER TO 10 METER: ±2% OF L1
 > 10 METER: +0.00% / -4% OF L1

3. PART NUMBER DESCRIPTION:



4. UNLESS OTHERWISE SPECIFIED LABEL POSITION SHALL BE APPROXIMATELY 50mm FROM REAR OF CONNECTOR.

5. ACCORDING TO ERICSSON FILE 102 01-113 AND 102 01-BYB 501+, LABEL TYPE LZFO83278/1
 LABEL SHOULD BE ADHERED IN PIN 1 OF END P1.

6. ALL CABLE ASSEMBLIES SHALL BE TESTED 100% FOR CONTINUITY AS DEFINED IN WIRING LIST.

7. UNLESS OTHERWISE SPECIFIED ALL CABLE ASSEMBLIES SHALL BE 100% HI-POT TESTED BY APPLYING 300V DC FOR MINIMUM OF 10ms, UNLESS ACTIVE COMPONENTS ARE USED IN THIS ASSEMBLY.

8. ALL CUSTOMER DRAWINGS ARE SUPPLIED WITH METRIC DIMENSIONS.

9. LEAD FREE PRODUCTS MEET EUROPEAN UNION DIRECTIVES AND OTHER COUNTRY REGULATIONS AS DESCRIBED IN GS-47-0004.

LEAD FREE SOLDER TAIL PLATING 2.00um (80u") MIN. MATTE TIN OVER 1.27um (50u") MIN. NICKEL UNDERPLATE.

PACKAGING OF LEAD FREE PRODUCTS MEETS LABELING AND PACKAGING SPECIFICATION GS-14-920.

10. CONNECTOR ASSEMBLIES SHOWN ARE FOR REFERENCE ONLY AND MAY NOT SHOW ALL PART DETAIL. REFERENCE CONNECTOR HOUSING DRAWINGS FOR COMPLETE DETAILS.

11. PCB AND OVERMOLD MATERIAL MUST BE HALOGEN AND UL94V-0.

12. AVOID TWIST WIRE BETWEEN END P2 AND END P3.

13. CABLES IN P1 TO P8 ALL DOUBLE CRIMPED.

14. CABLE: UL APPROVED, HALOGEN FREE.
 HOUSING: HIGH TEMP. THERMOPLASTIC, UL94V-0 GLASS FILLED,
 COLOR: BLACK
 POWER CONTACTS: COPPER ALLOY
 SIGNAL CONTACTS: COPPER ALLOY

mat'l. code		surface ISO 1302 ✓		tolerance ISO 406 ISO 1101		projection ⊕		product family Power blade	
l'rec'n no. B EON-CLX-N-17354		dr W.H		date 03-26'14		tolerances unless otherwise specified		title Pwr Blade 4P+12S+4P cable assy	
				angles		linear		MM	
								scale 4	
		dr		William.He		03-26'14		dwg no. sheet 3 of 3 size	
		enrg		William.He		03-26'14		10080594-6KA0331LF A3	
		chr		GF.Jin		03-26'14		Type Customer Drawing	
		appd		Johnson		03-26'14			
sheet index		revision sheet		B 3					

FCIconnect.com

Copyright FCI