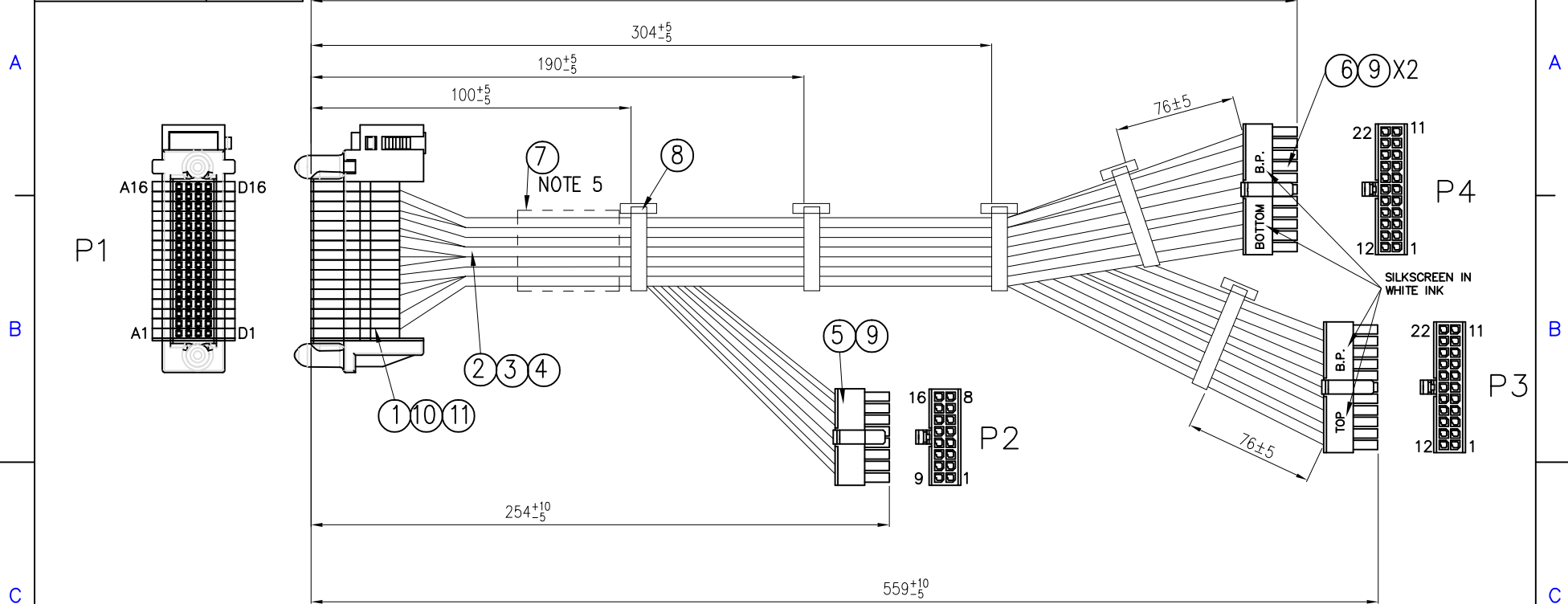


PRODUCT NUMBER NOTE 3	CUSTOMER P/N
10080594-6XA0444LF	00FN566



58	PC	SIGNAL TERMINAL 15U" Au,FCI:76347-302LF	11
1	PC	LATCH FOR 64S HOUSING,FCI: 10089267-018	10
58	PC	TERMINAL,MOLEX: 46235-0002	9
5	PC	CABLE TIE	8
1	PC	LABEL	7
2	PC	2X11P HOUSING ,MOLEX: 43025-2200	6
1	PC	2X8P HOUSING ,MOLEX: 43025-1600	5
NA	M	UL1061 22AWG GRAY	4
NA	M	UL1061 22AWG BLUE	3
NA	M	UL1061 22AWG WHITE	2
1	PC	Housing 64S 0.10" SPACING,FCI: 10089267-019	1
Qty	Unit	Description	Item

spec ref	-	dr	William He	2015-01-22	projection		size	A3	scale	N/A
tolerance std	TOLERANCES UNLESS OTHERWISE SPECIFIED	eng	William He	2015-01-22		mm	ecn no	ECN-ELX-N-20096		
		chr	Gua-Feng Jin	2015-01-22			rel level	-		
surface	<input checked="" type="checkbox"/> linear <input type="checkbox"/> angular	appr	Gua-Feng Jin	2015-01-22	product family				title	PowerBlade 64S Cable Assembly
						dwg no	10080594-6XA0444LF		rev	D
						www.fci.com	cat. no.		-	Customer Drawing

Copyright FCI

Pub/Rev - B1/C - 2009-08-08

1

2

3

4

A

B

C

D

A

B

C

D

P1	WIRE DESCRIPTION	P2
A13	UL1061 22awg WHITE	5
A14	UL1061 22awg WHITE	6
A15	UL1061 22awg WHITE	7
A16	UL1061 22awg WHITE	8
B13	UL1061 22awg WHITE	13
B14	UL1061 22awg WHITE	14
B15	UL1061 22awg WHITE	15
B16	UL1061 22awg WHITE	16
C13	UL1061 22awg WHITE	9
C14	UL1061 22awg WHITE	10
C15	UL1061 22awg WHITE	11
C16	UL1061 22awg WHITE	12
D13	UL1061 22awg WHITE	1
D14	UL1061 22awg WHITE	2
D15	UL1061 22awg WHITE	3
D16	UL1061 22awg WHITE	4

P1	WIRE DESCRIPTION	P3
A1	UL1061 22awg GRAY	9
A2	UL1061 22awg GRAY	8
A3	UL1061 22awg GRAY	17
A5	UL1061 22awg GRAY	14
A6	UL1061 22awg GRAY	7
A7	UL1061 22awg GRAY	5
A8	UL1061 22awg GRAY	15
A9	UL1061 22awg GRAY	2
A10	UL1061 22awg GRAY	4
A11	UL1061 22awg GRAY	1
A12	UL1061 22awg GRAY	3
B1	UL1061 22awg GRAY	19
B2	UL1061 22awg GRAY	11
B3	UL1061 22awg GRAY	22
B4	UL1061 22awg GRAY	21
B5	UL1061 22awg GRAY	20
B6	UL1061 22awg GRAY	16
B7	UL1061 22awg GRAY	10
B8	UL1061 22awg GRAY	6
B11	UL1061 22awg GRAY	13
B12	UL1061 22awg GRAY	12

P1	WIRE DESCRIPTION	P4
C1	UL1061 22awg BLUE	9
C2	UL1061 22awg BLUE	8
C3	UL1061 22awg BLUE	17
C5	UL1061 22awg BLUE	14
C6	UL1061 22awg BLUE	7
C7	UL1061 22awg BLUE	5
C8	UL1061 22awg BLUE	15
C9	UL1061 22awg BLUE	2
C10	UL1061 22awg BLUE	4
C11	UL1061 22awg BLUE	1
C12	UL1061 22awg BLUE	3
D1	UL1061 22awg BLUE	19
D2	UL1061 22awg BLUE	11
D3	UL1061 22awg BLUE	22
D4	UL1061 22awg BLUE	21
D5	UL1061 22awg BLUE	20
D6	UL1061 22awg BLUE	16
D7	UL1061 22awg BLUE	10
D8	UL1061 22awg BLUE	6
D11	UL1061 22awg BLUE	13
D12	UL1061 22awg BLUE	12



Copyright FCI

spec ref	-			dr	William He	2015-01-22	projection		size	A3	scale	N/A
tolerance std	TOLERANCES UNLESS OTHERWISE SPECIFIED			eng	William He	2015-01-22		mm	ecn no	ECN-ELX-N-20096		
-				chr	Guo-Feng Jin	2015-01-22			rel level	-		
surface	✓	linear	0.X	± -		title	PowerBlade 64S Cable Assembly	drg no	10080594-6XA0444LF	rev	D	sheet 2 of 3
			0.XX	± 0.25								
			0.XXX	± -								
-		angular	0°	± -	www.fci.com	cat. no.	-	Customer Drawing				

Proj. file - B21 C - 2015-01-01

1

2

3

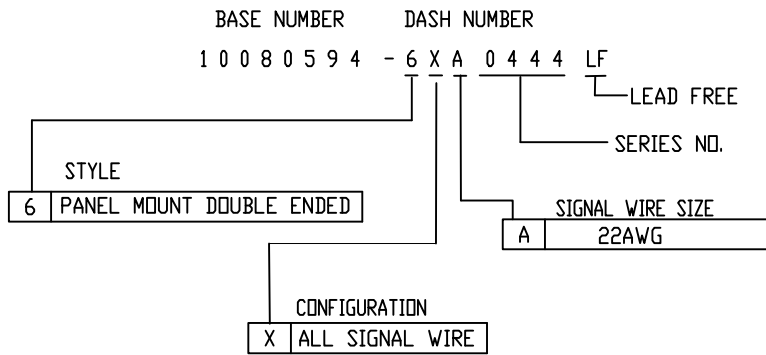
4

NOTES:

1. CONNECTOR 1 MATES WITH XXXXXX.

2. UNLESS OTHERWISE SPECIFIED ASSEMBLED LENGTH TOLERANCE =  
 < = 1 METER: ±15.0mm  
 > 1 METER TO 10 METER: ±2% OF L1  
 > 10 METER: +0.00% / -4% OF L1

③ PART NUMBER DESCRIPTION:



4. UNLESS OTHERWISE SPECIFIED LABEL POSITION SHALL BE APPROXIMATELY 50mm FROM REAR OF CONNECTOR.

⑤ LABEL DESCRIPTION AS BELOW.  
 BARCODE 39 TYPE, USE PERMANENT INDELIBLE INK IN A CONTRASTING COLOR WITH 0.12 INCH HIGH CHARACTERS.



6. ALL CABLE ASSEMBLIES SHALL BE TESTED 100% FOR CONTINUITY AS DEFINED IN WIRING LIST.

7. UNLESS OTHERWISE SPECIFIED ALL CABLE ASSEMBLIES SHALL BE 100% HI-POT TESTED BY APPLYING 300V DC FOR MINIMUM OF 10ms, UNLESS ACTIVE COMPONENTS ARE USED IN THIS ASSEMBLY.

8. ALL CUSTOMER DRAWINGS ARE SUPPLIED WITH METRIC DIMENSIONS.

9. LEAD FREE PRODUCTS MEET EUROPEAN UNION DIRECTIVES AND OTHER COUNTRY REGULATIONS AS DESCRIBED IN GS-22-008.

PACKAGING OF LEAD FREE PRODUCTS MEETS LABELING AND PACKAGING SPECIFICATION GS-14-920.

10. CONNECTOR ASSEMBLIES SHOWN ARE FOR REFERENCE ONLY AND MAY NOT SHOW ALL PART DETAIL. REFERENCE CONNECTOR HOUSING DRAWINGS FOR COMPLETE DETAILS.

11. THIS DIMENSION IS A FINISHED PRODUCT LENGTH.

12. CABLE: UL APPROVED, TEMPERATURE RATING 105°C. 300V .  
 HOUSING: HIGH TEMP. THERMOPLASTIC, UL94V-0 GLASS FILLED,  
 COLOR: BLACK  
 POWER CONTACTS: COPPER ALLOY

Copyright FCI

spec ref	-			dr	William He	2015-01-22	projection	mm		size	A3	scale	N/A
tolerance std	TOLERANCES UNLESS OTHERWISE SPECIFIED			eng	William He	2015-01-22		mm		ecr no	ECN-ELX-N-20096		
-				chr	Guo-Feng Jin	2015-01-22				rel level	-		
surface	<input checked="" type="checkbox"/> linear <input type="checkbox"/> angular	0.X	± -		title PowerBlade 64S Cable Assembly www.fci.com cat. no. -		product family	rev D	dwg no 10080594-6XA0444LF	Customer Drawing sheet 3 of 3			
-		0.XX	± 0.25										
-	0.XXX	± -											