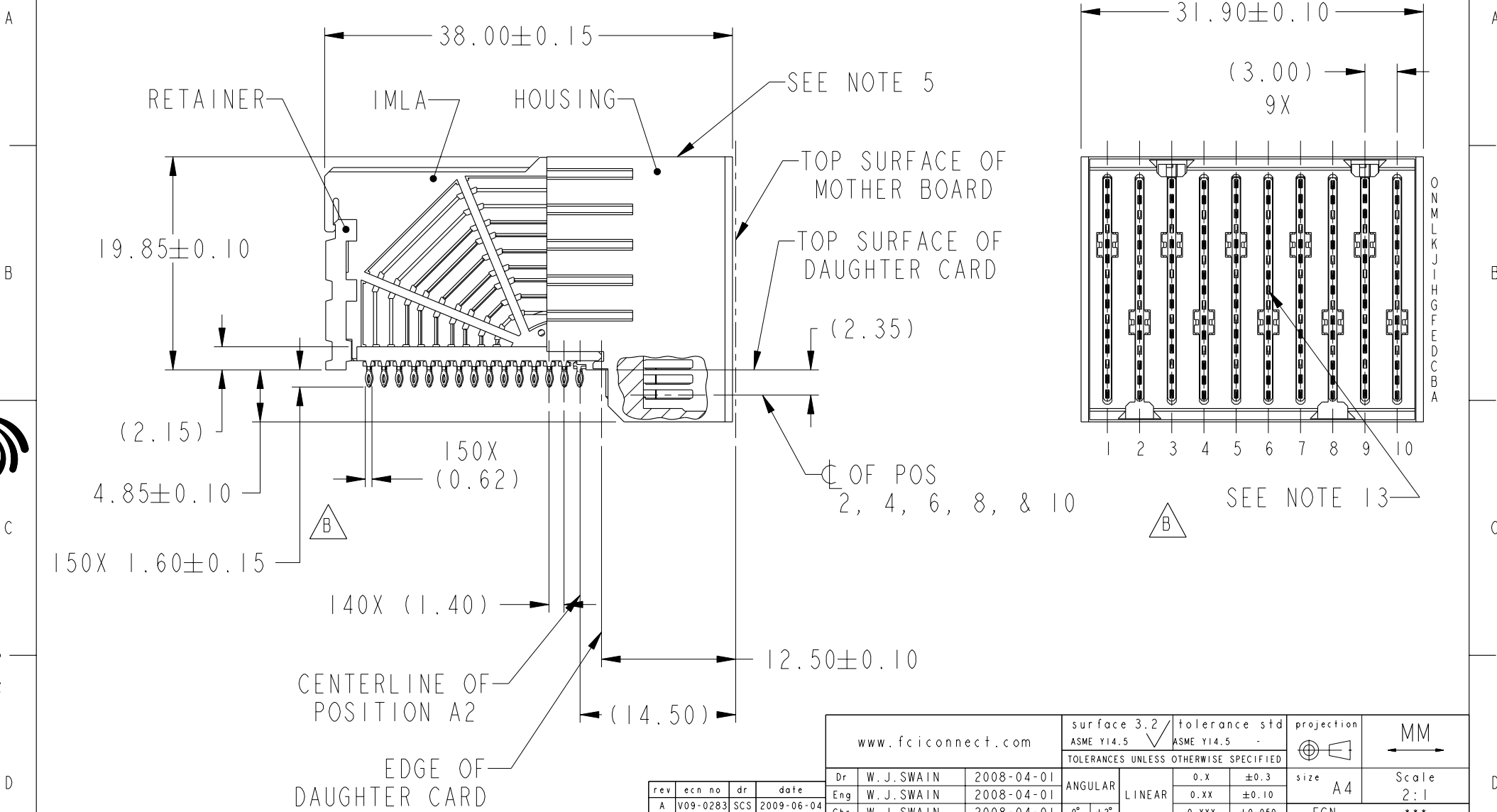


Product number
SEE TABLE, SHEET 5



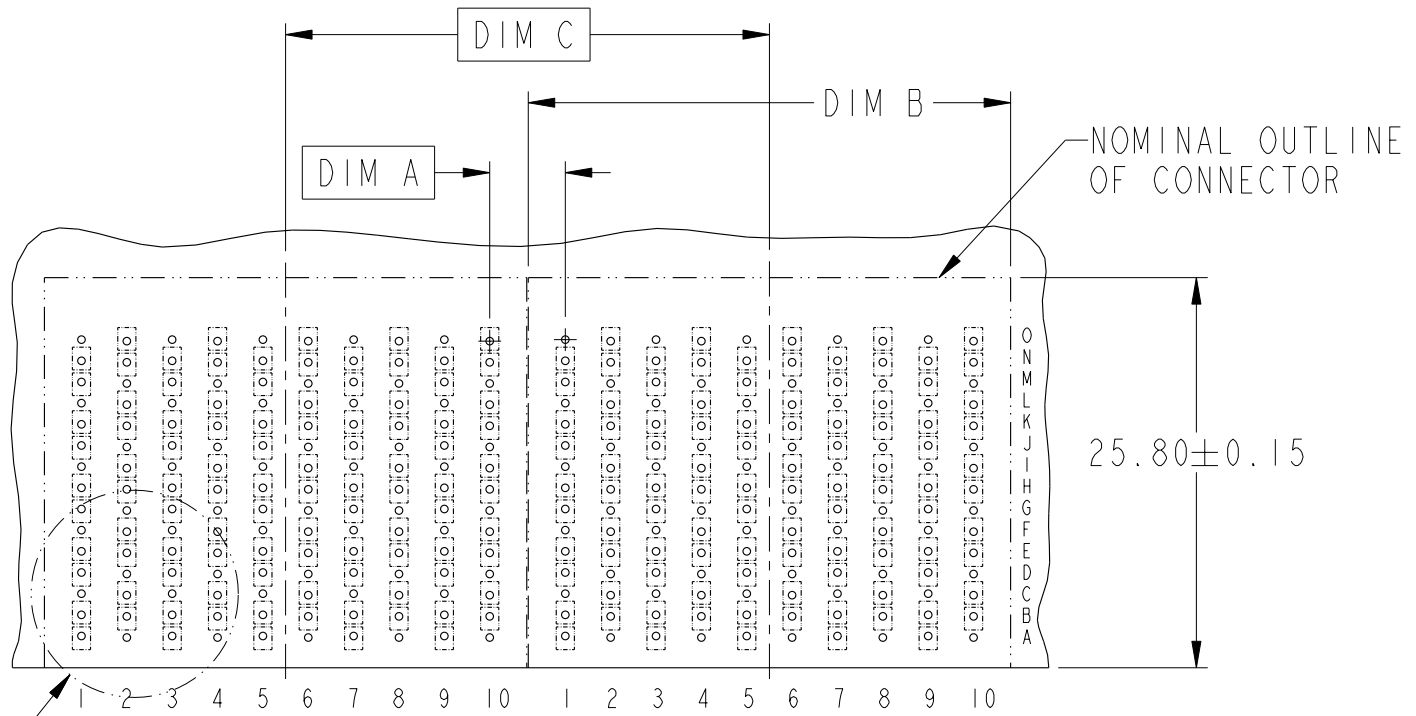
Copyright FCI.

rev	ecn no	dr	date
A	V09-0283	SCS	2009-06-04
B	V10-0010	SCS	2010-01-11
-	-	-	-
-	-	-	-
-	-	-	-
-	-	-	-

www.fciconnect.com		surface 3.2 ASME Y14.5	tolerance std ASME Y14.5	projection MM
Dr W. J. SWAIN 2008-04-01		TOLERANCES UNLESS OTHERWISE SPECIFIED		size A4
Eng W. J. SWAIN 2008-04-01		ANGULAR	0.X ±0.3	Scale 2:1
Chr W. J. SWAIN 2008-04-01		LINEAR	0.XX ±0.10	ECN ***
Appr		0° ±2°	0.XXX ±0.050	Product family AirMax VS
FCI		AirMax VS R/A HEADER ASSY		Spec ref
85 OHM, PRESS-FIT, 150 POS, 32MM		catalog no -		dwg no 10087771
CUSTOMER		sheet 1 of 5		Rev. B

REV F - 2006-04-17

DESCRIPTION	DIM A	DIM B	DIM C
2-32MM MODULES PLACED END-TO-END	5.00	2X 31.90	32.00
1-30MM MODULE & 1-32MM MODULE PLACED END-TO-END	4.00	1X 29.90 & 1X 31.90	31.00



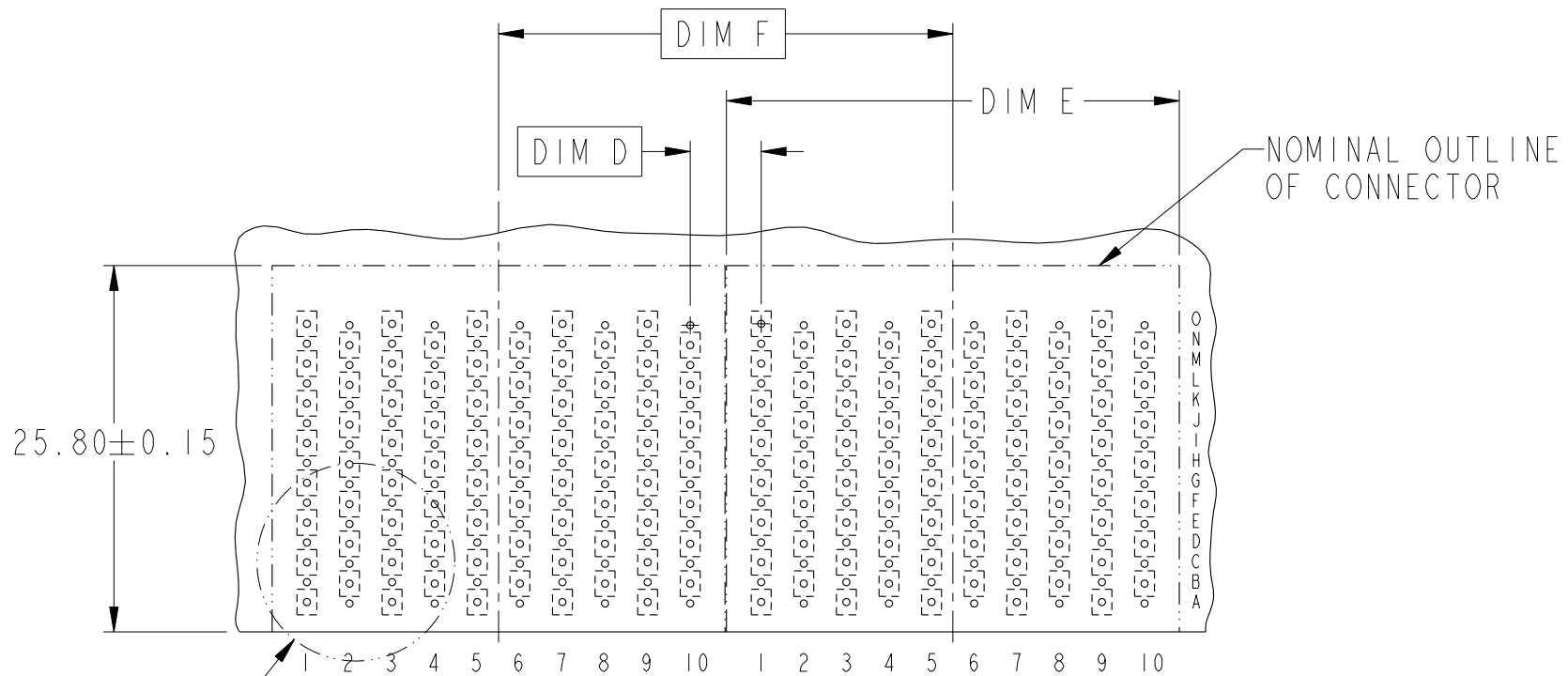
RECOMMENDED PCB LAYOUT
FOR DIFFERENTIAL APPLICATIONS
COMPONENT SIDE
(TWO ADJACENT FOOTPRINTS SHOWN)
NOTES 6 & 7



title	AirMax VS R/A HEADER ASSY	dwg no	10087771	Rev.	B
catalog no	-	CUSTOMER	sheet 2 of 5		



DESCRIPTION	DIM D	DIM E	DIM F
2-32MM MODULES PLACED END-TO-END	5.00	2X 31.90	32.00
1-30MM MODULE & 1-32MM MODULE PLACED END-TO-END	4.00	1X 29.90 & 1X 31.90	31.00



RECOMMENDED PCB LAYOUT
FOR SINGLE ENDED APPLICATIONS
COMPONENT SIDE
(TWO ADJACENT FOOTPRINTS SHOWN)
NOTES 6 & 7



title AirMax VS R/A HEADER ASSY 85 OHM, PRESS-FIT, 150 POS, 32MM	dwg no 10087771	Rev. B



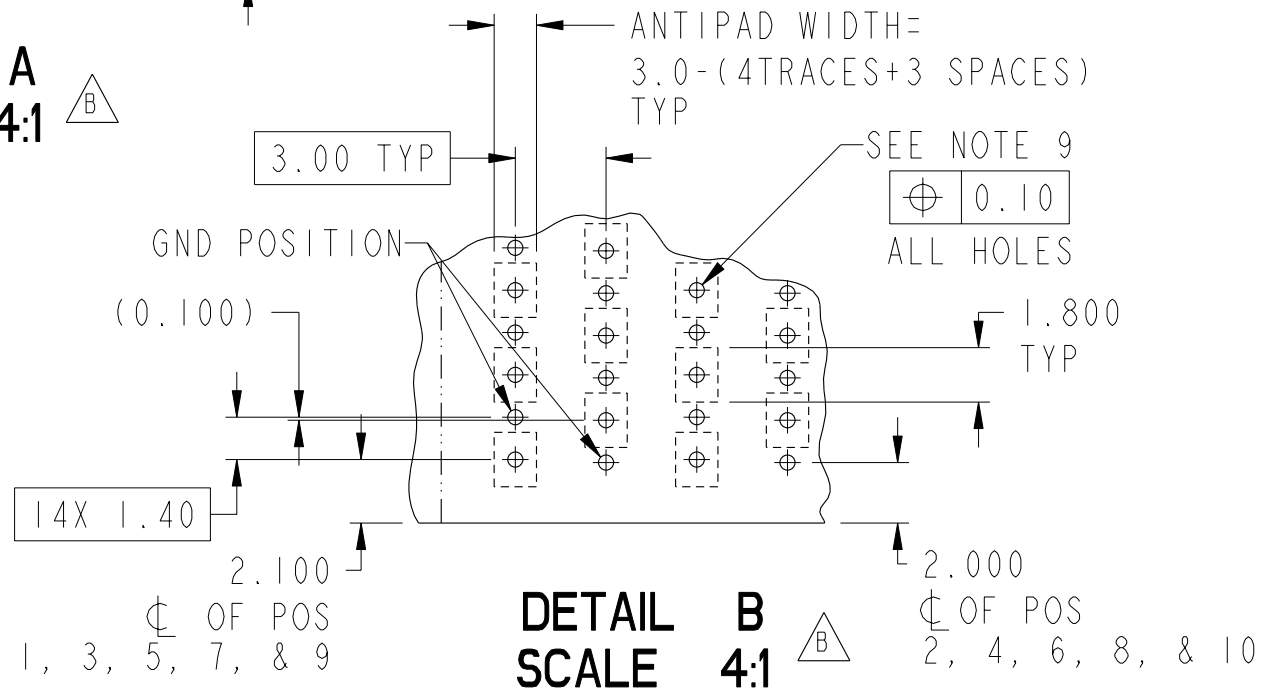
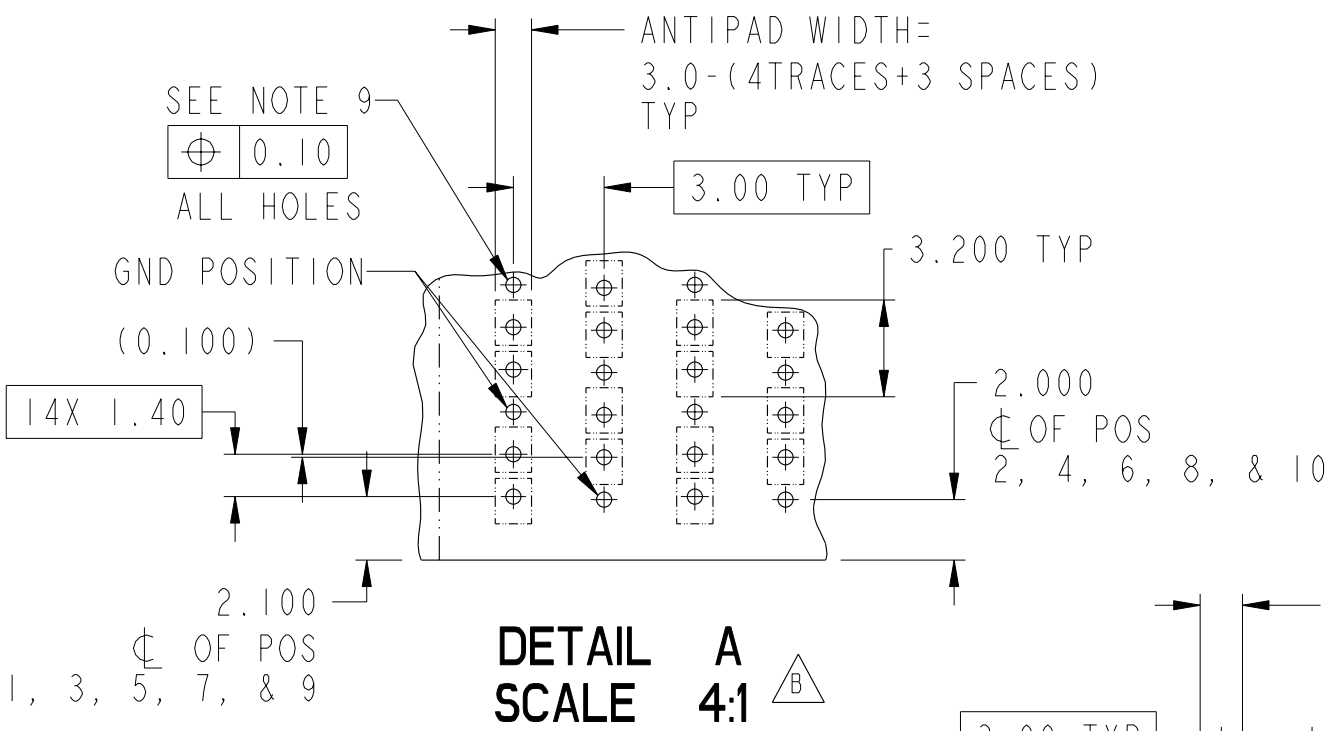


Copyright FCI.

A
B
C
D

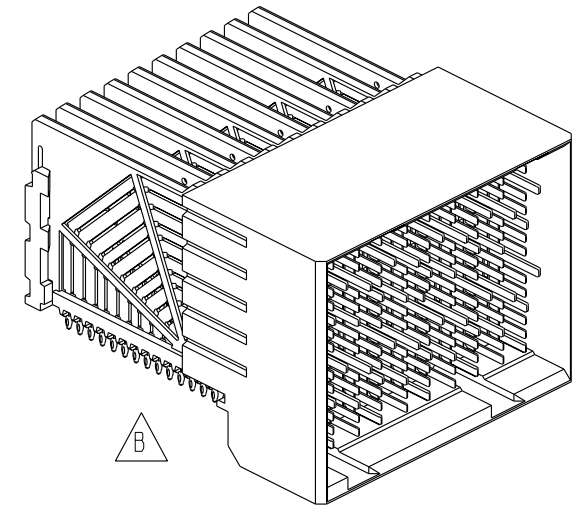
A
B
C
D

1 2 3 4




	part no	AirMax VS R/A HEADER ASSY	dwg no	10087771	Rev.	B
	catalog no	85 OHM, PRESS-FIT, 150 POS, 32MM	-	CUSTOMER	sheet 4 of 5	


PART NUMBER	PRESS-FIT TAIL PLATING TYPE	SHORT DETECT CONTACT
10087771-101LF	TIN OVER NICKEL (LEAD FREE)	NO
10087771-111LF	TIN OVER NICKEL (LEAD FREE)	YES (SEE NOTE 13)



NOTES:

1. CONNECTOR MATERIALS:
HOUSING & RETAINER: HIGH TEMP THERMOPLASTIC, WHITE, UL94V-0
IMLA PLASTIC: HIGH TEMP THERMOPLASTIC, GREY, UL94V-0
CONTACT: COPPER ALLOY
2. CONTACT PLATING:
SEPARABLE INTERFACE:
PERFORMANCE-BASED PLATING, QUALIFIED TO MEET THE REQUIREMENTS OF FCI PRODUCT SPECIFICATION GS-12-239, INCLUDING TELCORDIA GR-1217-CORE (NOVEMBER 1995) CENTRAL OFFICE SEQUENCE.

PRESS-FIT TAILS: SEE TABLE
3. PRODUCT SPECIFICATION: GS-12-239
4. APPLICATION SPECIFICATION: GS-20-035
5. PRODUCT MARKING, (PART NUMBER, LOT CODE, AND "85 OHM"), ON THIS SURFACE
6. REFER TO CUSTOMER DRAWING 10035911 FOR INFORMATION REGARDING PCB LAYOUT OF POWER AND GUIDE MODULES RELATIVE TO SIGNAL MODULES
7. POSITIONS F AND L OF ODD NUMBERED COLUMNS AND POSITIONS G AND M OF EVEN NUMBERED COLUMNS CORRESPOND TO EARLY MATE HEADER PINS
8. THERE IS NO GROUND BUSSING WITHIN THE CONNECTOR SYSTEM
9. REFER TO CUSTOMER DRAWING 10045979 FOR INFORMATION ON PCB HOLE DIAMETERS AND PLATING OPTIONS.
10. LEAD-FREE PRODUCT MEETS EUROPEAN UNION DIRECTIVES & OTHER COUNTRY REGULATIONS AS DESCRIBED IN GS-22-008.
11. THE HOUSING WILL WITHSTAND EXPOSURE TO 260°C PEAK TEMPERATURE FOR 40 SECONDS IN A CONVECTION, INFRA-RED OR VAPOR PHASE REFLOW OVEN.
12. PACKAGING MEETS GS-14-920 LEAD FREE LABELING SPECIFICATION.
13. MATING PIN H6 HAS 0.5mm LESS WIPE THAN THE SHORTEST SIGNAL PIN
14. A  SYMBOL WILL BE NEXT TO ANY DIMENSION, VIEW, OR NOTE, WHICH HAS BEEN MODIFIED WITH THE CURRENT DRAWING REVISION.

	AirMax VS R/A HEADER ASSY 85 OHM, PRESS-FIT, 150 POS, 32MM	dwg no 10087771	Rev. B
	catalog no -	CUSTOMER	sheet 5 of 5

