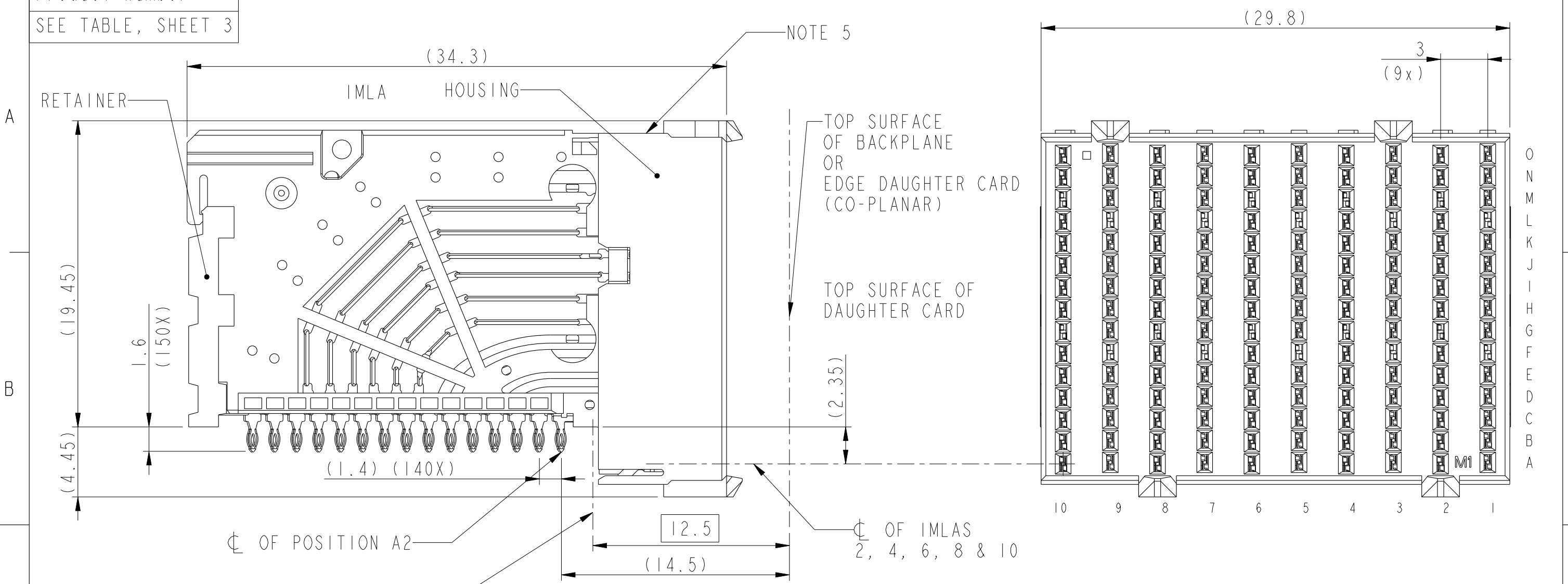
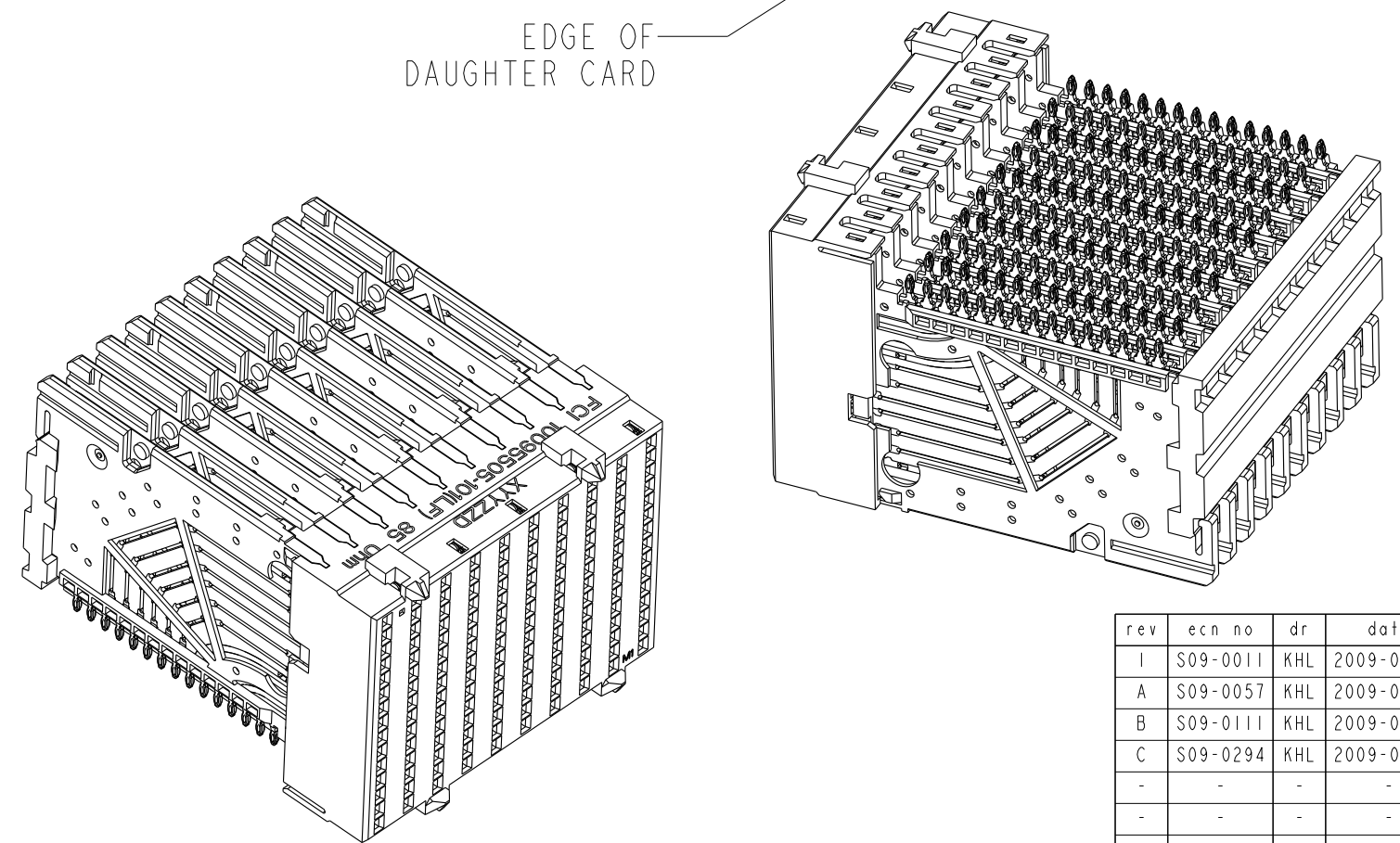


Product-number  
SEE TABLE, SHEET 3



Copyright FCI.



rev	ecn no	dr	date
I	S09-0011	KHL	2009-01-08
A	S09-0057	KHL	2009-03-11
B	S09-0111	KHL	2009-04-08
C	S09-0294	KHL	2009-09-16
-	-	-	-
-	-	-	-
-	-	-	-

www.fciconnect.com		surface ASME Y14.5	tolerance std ASME Y14.5	projection	mm
		TOLERANCES UNLESS OTHERWISE SPECIFIED			
Dr	KH LEE	2008-01-08	ANGULAR	0.X	±
Eng	KH LEE	2008-01-08	LINEAR	0.XX	±
Chr	KH LEE	2009-09-16	0° ±°	0.XXX	±
Appr	JOEY NG	2009-09-16	Product family AirMax VS RAR		Spec ref
		Title AirMax VS(tm) R.A. Recpt		Rev. C	
		Ass'y, 5p 150p 3mm 10 IMLA 85 Ohm		dwg no 10095505	
		catalog no		CUSTOMER sheet 1 of 3	

REV F - 2006-04-17

1

2

3

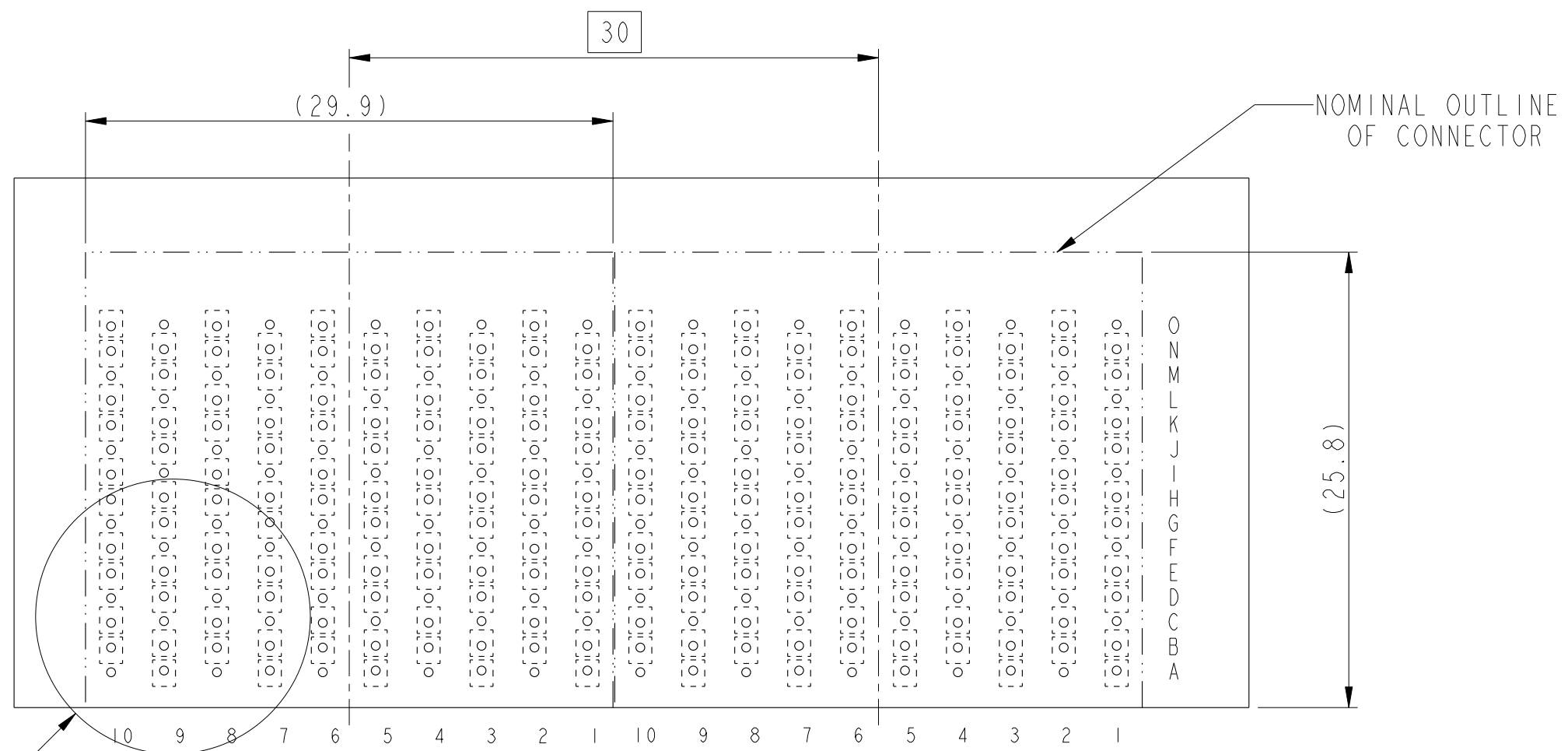
4

A

B

A

B



SEE DETAIL A

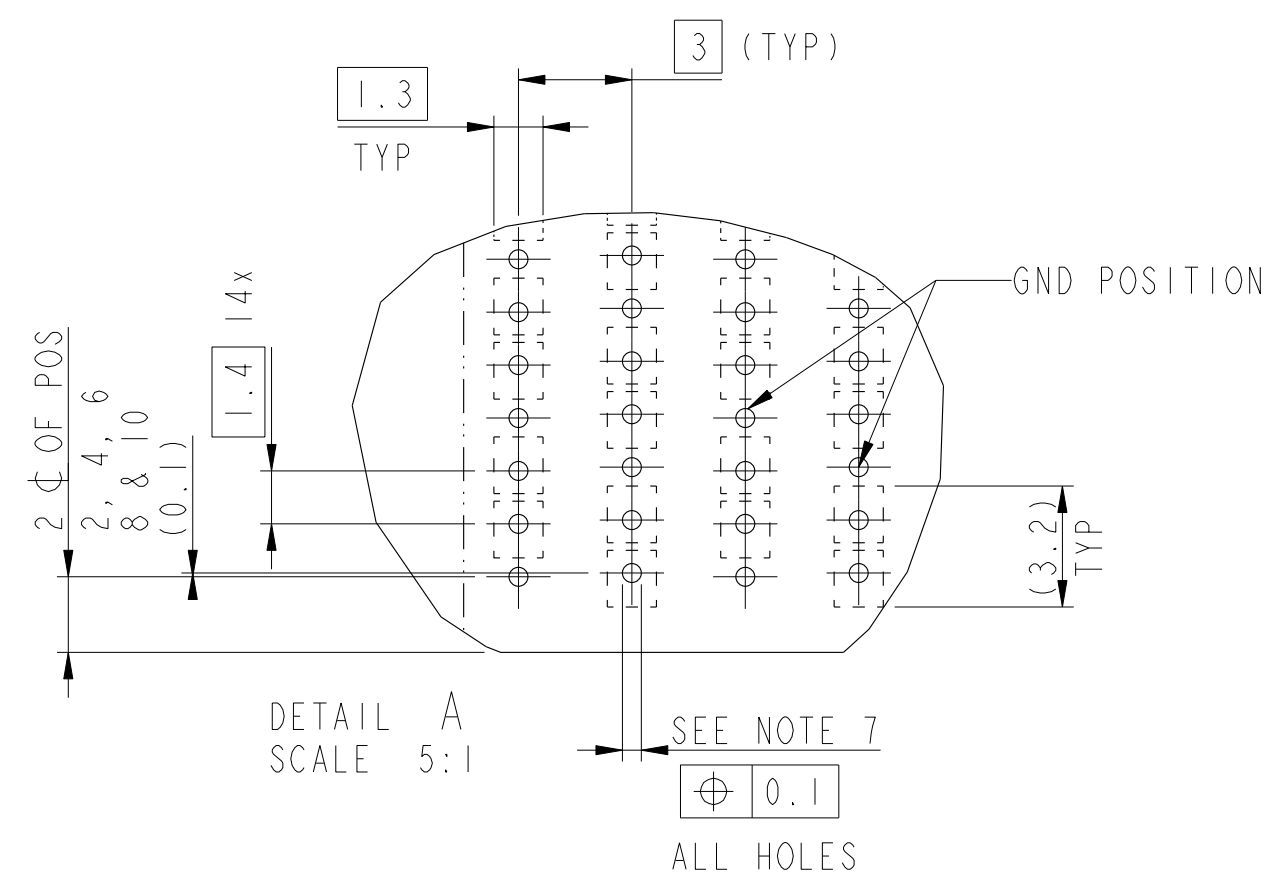
RECOMMENDED PCB LAYOUT FOR DIFFERENTIAL APPLICATIONS COMPONENT SIDE (TWO ADJACENT FOOTPRINTS SHOWN)

C

D

C

D



Copyright FCI.

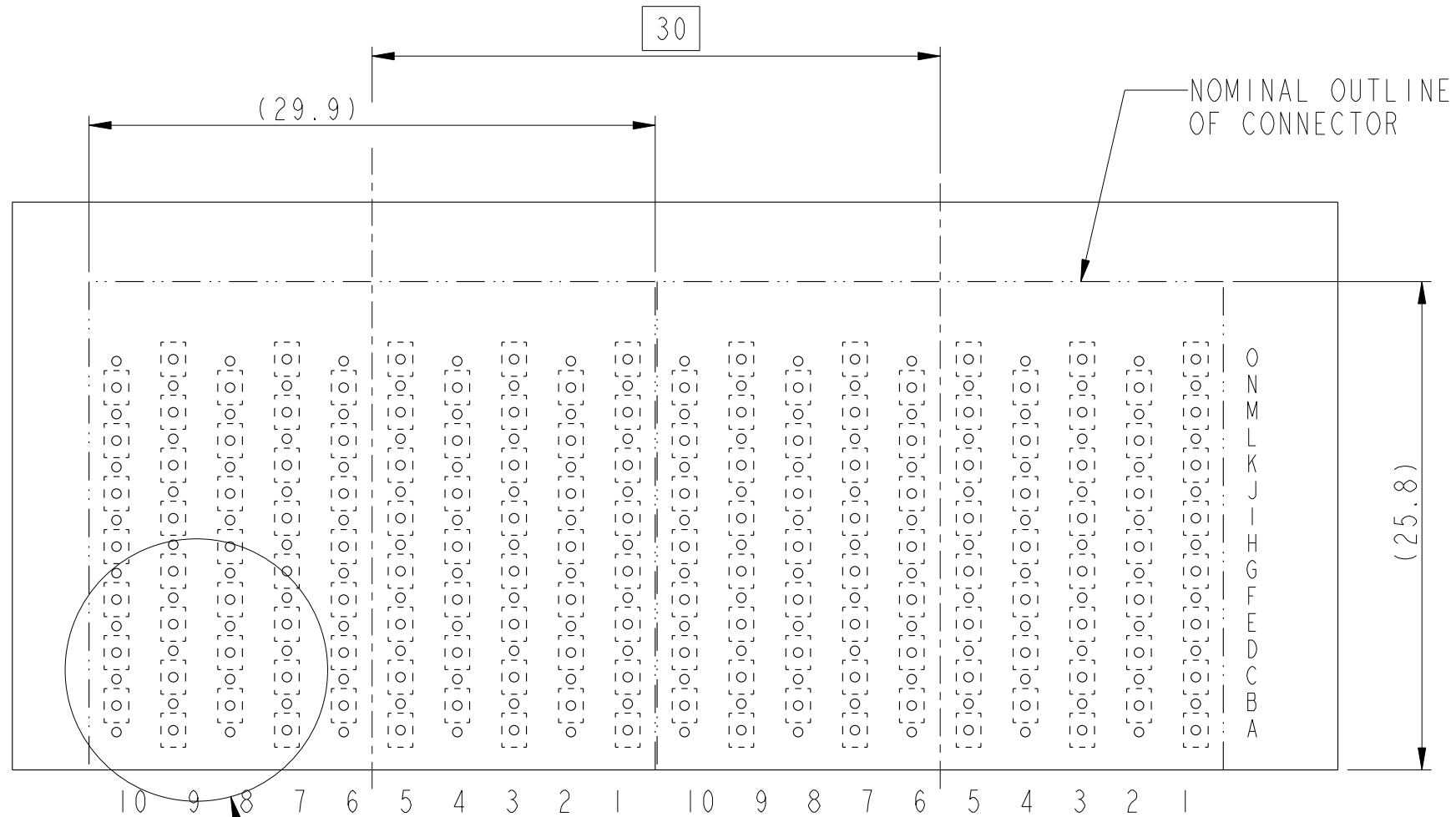
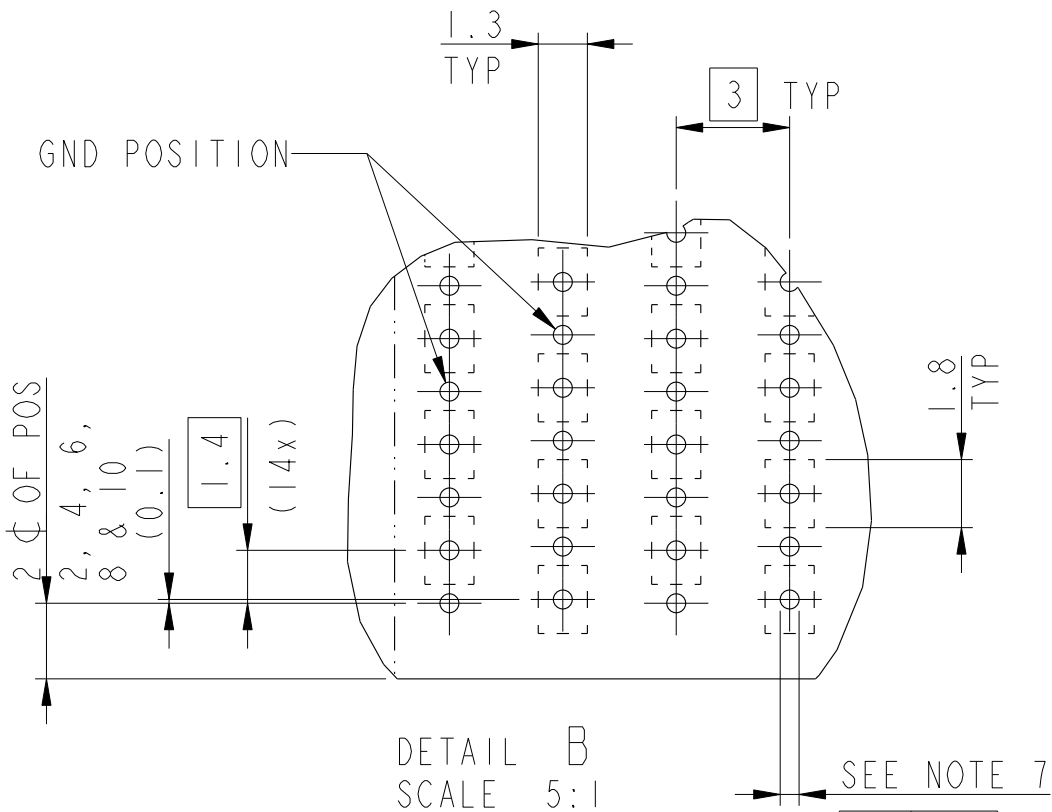
	Title AirMax VS(tm) R.A. Recpt Ass'y, 5p 150p 3mm 10 IMLA 85 Ohm	dwg no 10095505	Rev. C
	catalog no -	CUSTOMER	sheet 2 of 3

1

2

3

PART NUMBER	PRESS FIT TAIL PLATING TYPE
10095505-101	TIN/LEAD ALLOY OVER NICKEL
10095505-101LF	LEAD FREE



RECOMMENDED PCB LAYOUT  
FOR SINGLE ENDED APPLICATIONS  
COMPONENT SIDE  
(TWO ADJACENT FOOTPRINTS SHOWN)

NOTES:

1. CONNECTOR MATERIALS:  
HOUSING & RETAINER: HIGH TEMP THERMOPLASTIC, NATURAL, UL94V-0  
IMLA PLASTIC: HIGH TEMP PLASTIC, GREY, UL94V-0  
CONTACT: COPPER ALLOY.
2. CONTACT PLATING:  
SEPARABLE INTERFACE : PERFORMANCE BASED PLATING, QUALIFIED TO MEET THE REQUIREMENTS OF FCI PRODUCT SPECIFICATION GS-12-239, INCLUDING TELCORDIA GR-1217-CORE (NOV 1995) CENTRAL OFFICE TEST SEQUENCE.  
PRESS-FIT TAILS: SEE TABLE
3. PRODUCT SPECIFICATION: GS-12-239
4. APPLICATION SPECIFICATION: GS-20-035
5. PRODUCT MARKING, (PARTNUMBER & LOT CODE) AND "85 OHM", ON THIS SURFACE
6. THERE IS NO GROUND BUSSING WITHIN THE CONNECTOR SYSTEM.
7. SEE CUSTOMER DRAWING 10045979 FOR INFORMATION ON PCB HOLE DIAMETER AND PLATING OPTIONS
8. THIS PRODUCT MEETS EUROPEAN UNION DIRECTIVES AND OTHER COUNTRY REGULATIONS AS DESCRIBED IN GS-22-008.
9. THE HOUSING WILL WITHSTAND EXPOSURE TO 260 °C PEAK TEMPERATURE FOR 40 SECONDS IN A CONVECTION, INFRA-RED OR VAPOR PHASE REFLOW OVEN.
10. PACKAGING MEETS GS-14-920 LEAD FREE LABELLING SPECIFICATION.

II. A  $\triangle C$  SYMBOL WILL BE NEXT TO ANY DIMENSION, VIEW, OR NOTE WHICH HAS BEEN MODIFIED WITH THE CURRENT DRAWING REVISION.

FCI	Title	AirMax VS(tm) R.A. Recpt	dwg no	10095505	Rev.	C
		Ass'y, 5p 150p 3mm 10 IMLA 85 Ohm				
	catalog no			CUSTOMER	sheet 3 of 3	