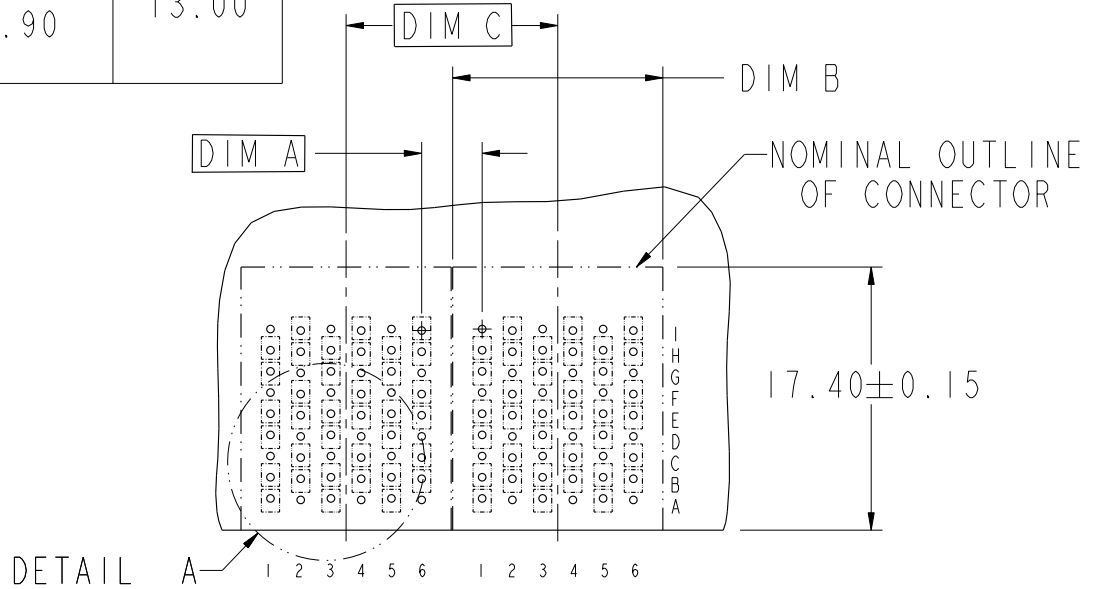


spec ref		dr	Stu Stoner	2009/02/07	projection 	MM ←→	size	A4	scale	3:1	
tolerance std	TOLERANCES UNLESS OTHERWISE SPECIFIED	eng	N Anandakumar	2016/07/11			ecn no	ELX-S-24431-1			
ASME Y14.5		chr	-	-				rel level	Released		
surface 3.2	linear	appr	Chen-Hong Tan	2016/07/14	product family		AirMax VS				
ASME Y14.5		angular	Amphenol FCi		title		AirMax VS R/A Header				
					85 OHM, PRESS FIT, 54 POS, 14MM		dwg no		10097256	rev	E
					cat. no.	-	Product - Customer Drw		sheet 1 of 5		

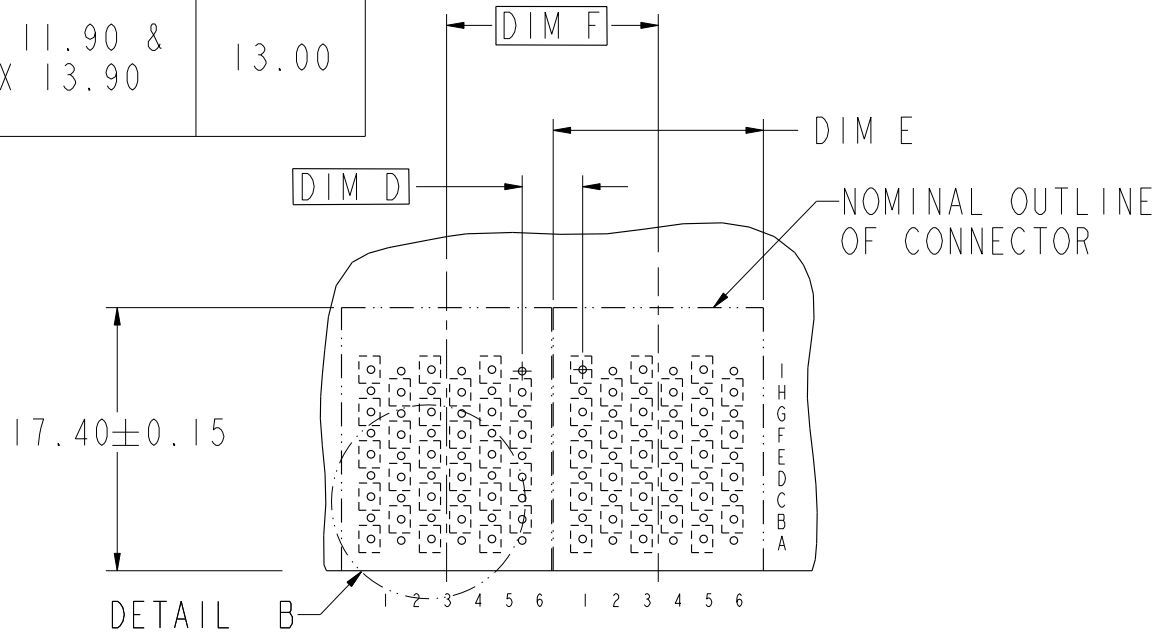
DESCRIPTION	DIM A	DIM B	DIM C
2-14MM MODULES PLACED END-TO-END	4.00	2X 13.90	14.00
1-12MM MODULE & 1-14MM MODULE PLACED END-TO-END	3.00	1X 11.90 & 1X 13.90	13.00



**RECOMMENDED PCB LAYOUT
FOR DIFFERENTIAL APPLICATIONS
COMPONENT SIDE
(TWO ADJACENT FOOTPRINTS SHOWN)
NOTES 6 & 7**

spec ref		dr	Stu Stoner	2009/02/07	projection 	MM ←→	size	A4	scale	2:1
tolerance std ASME Y14.5	TOLERANCES UNLESS OTHERWISE SPECIFIED	eng	N Anandakumar	2016/07/11			ecn no	ELX-S-24431-1		
		chr	-	-				rel level	Released	
surface	3.200	appr	Chen-Hong Tan	2016/07/14	product family		rev	E		
ASME Y14.5	linear	0.X	±	Amphenol FCi	title AirMax VS R/A Header 85 OHM, PRESS FIT, 54 POS, 14MM		dwg no 10097256	sheet 2 of 5		
		0.XX	±							
angular	0°	±								
cat. no.		-		Product - Customer Drw			sheet 2 of 5			

DESCRIPTION	DIM D	DIM E	DIM F
2-14MM MODULES PLACED END-TO-END	4.00	2X 13.90	14.00
1-12MM MODULE & 1-14MM MODULE PLACED END-TO-END	3.00	1X 11.90 & 1X 13.90	13.00



**RECOMMENDED PCB LAYOUT
FOR SINGLE ENDED APPLICATIONS
COMPONENT SIDE
(TWO ADJACENT FOOTPRINTS SHOWN)
NOTES 6 & 7**

spec ref		dr	Stu Stoner	2009/02/07	projection 	MM ←→	size	A4	scale	2:1
tolerance std ASME Y14.5	TOLERANCES UNLESS OTHERWISE SPECIFIED	eng	N Anandakumar	2016/07/11			ecn no	ELX-S-24431-1		
		chr	-	-				rel level	Released	
surface	3.200	appr	Chen-Hong Tan	2016/07/14	product family		rev		E	
ASME Y14.5	linear	0.X	±	Amphenol FCi	title AirMax VS R/A Header 85 OHM, PRESS FIT, 54 POS, 14MM		dwg no	10097256		
		0.XX	±							
0.XXX	±									
ASME Y14.5	angular	0°	±°	cat. no.	-	Product - Customer Drw		sheet 3 of 5		

A

B

C

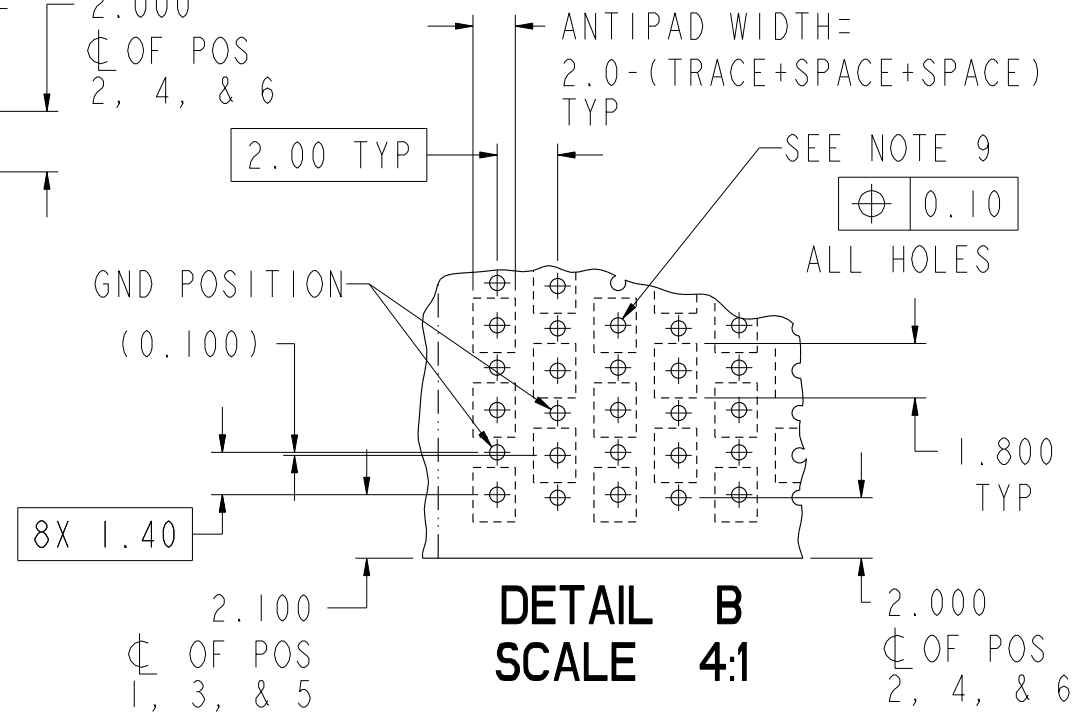
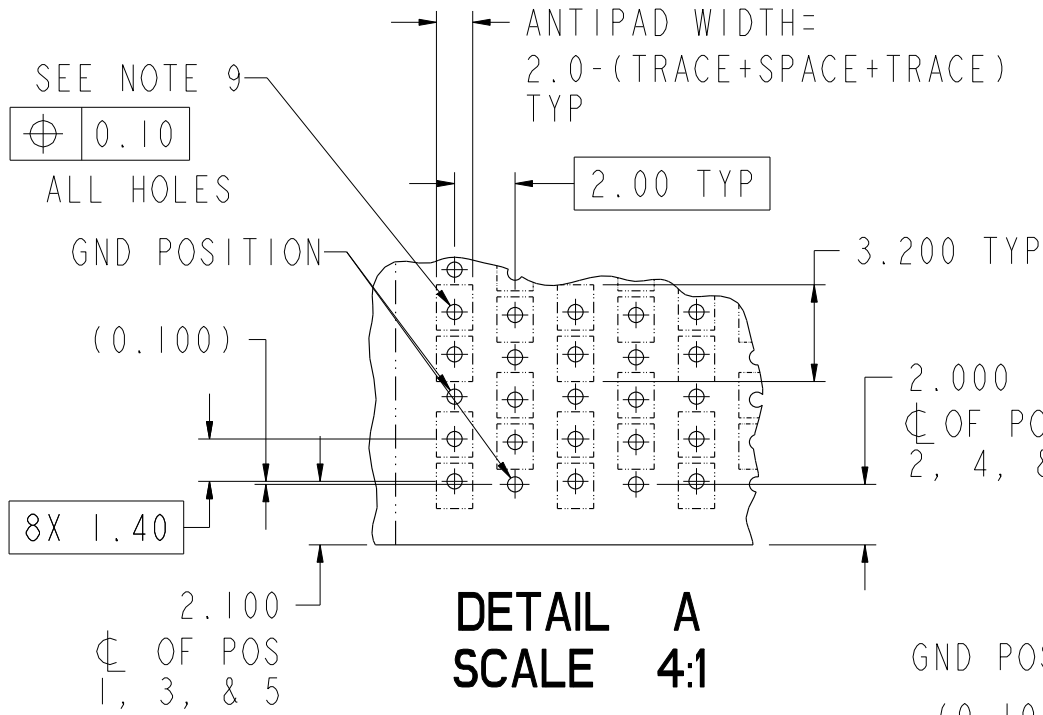
D

A

B

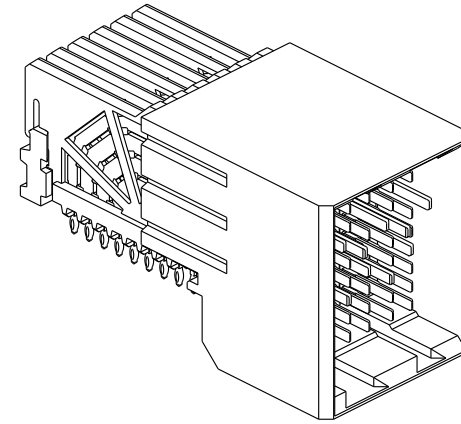
C

D



spec ref		dr	Stu Stoner	2009/02/07	projection 	MM ←→	size	A4	scale	2:1
tolerance std ASME Y14.5	TOLERANCES UNLESS OTHERWISE SPECIFIED	eng	N Anandakumar	2016/07/11			ecn no	ELX-S-24431-1		
		chr	-	-				rel level	Released	
surface	3.200	appr	Chen-Hong Tan	2016/07/14	product family		rev			
ASME Y14.5	linear	0.X	±	Amphenol FCi	title AirMax VS R/A Header 85 OHM, PRESS FIT, 54 POS, 14MM		dwg no 10097256		sheet 4 of 5	
	angular	0°	±°							
cat. no.		Product - Customer Drw				E				

PART NUMBER	PRESS-FIT TAIL PLATING TYPE	SHORT DETECT CONTACT
10097256-101LF	TIN OVER NICKEL (LEAD FREE)	NO
10097256-111LF	TIN OVER NICKEL (LEAD FREE)	YES (SEE NOTE 13)



NOTES:

1. CONNECTOR MATERIALS:
HOUSING & RETAINER: HIGH TEMP THERMOPLASTIC, WHITE, UL94V-0
IMLA PLASTIC: HIGH TEMP THERMOPLASTIC, GREY, UL94V-0
CONTACT: COPPER ALLOY
2. CONTACT PLATING:
SEPARABLE INTERFACE:
PERFORMANCE-BASED PLATING, QUALIFIED TO MEET THE REQUIREMENTS OF FCI PRODUCT SPECIFICATION GS-12-239 INCLUDING TELCORDIA GR-1217-CORE (NOVEMBER 1995) CENTRAL OFFICE TEST SEQUENCE

PRESS-FIT TAILS: SEE TABLE
3. PRODUCT SPECIFICATION: GS-12-239
4. APPLICATION SPECIFICATION: GS-20-035
5. PRODUCT MARKING, (PART NUMBER, LOT CODE, AND "85 OHM") ON THIS SURFACE
6. REFER TO CUSTOMER DRAWING 10035911 FOR INFORMATION REGARDING PCB LAYOUT OF POWER AND GUIDE MODULES RELATIVE TO SIGNAL MODULES
7. POSITIONS F OF ODD NUMBERED COLUMNS AND POSITIONS G OF EVEN NUMBERED COLUMNS CORRESPOND TO EARLY MATE HEADER PINS
8. THERE IS NO GROUND BUSSING WITHIN THE CONNECTOR SYSTEM
9. REFER TO CUSTOMER DRAWING 10045979 FOR INFORMATION ON PCB HOLE DIAMETERS AND PLATING OPTIONS.
10. LEAD FREE PRODUCT MEETS EUROPEAN UNION DIRECTIVES & OTHER COUNTRY REGULATIONS AS DESCRIBED IN GS-22-008.
11. THE HOUSING WILL WITHSTAND EXPOSURE TO 260°C PEAK TEMPERATURE FOR 40 SECONDS IN A CONVECTION, INFRA-RED OR VAPOR PHASE REFLOW OVEN.
12. PACKAGING MEETS GS-14-920 LEAD FREE LABELING SPECIFICATION.
13. MATING PIN E4 HAS 0.5mm LESS NOMINAL WIPE THAN THE SHORTEST SIGNAL PIN.
14. A SYMBOL WILL BE NEXT TO ANY DIMENSION, VIEW, OR NOTE WHICH HAS BEEN MODIFIED WITH THE CURRENT DRAWING REVISION.

spec ref		dr	Stu Stoner	2009/02/07	projection 	MM 	size	A4	scale	2:1	
tolerance std ASME Y14.5	TOLERANCES UNLESS OTHERWISE SPECIFIED		eng	N Anandakumar			2016/07/11	ecn no	ELX-S-24431-1		
			chr	-			-		rel level	Released	
surface 3.2	linear	0.X	±	Amphenol FCi	title	product family	AirMax VS			rev	
ASME Y14.5		0.XX	±				cat. no.	-	Product - Customer Drw		sheet 5 of 5
	angular	0°	±°	dwg no	10097256					E	