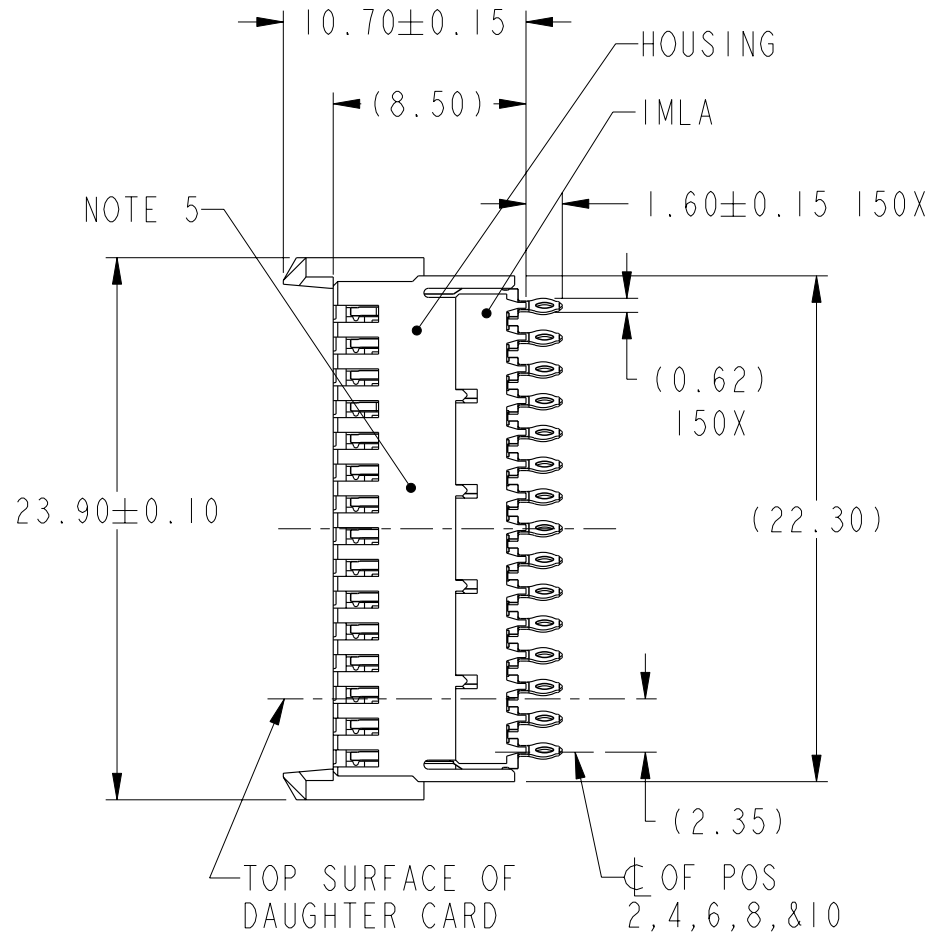
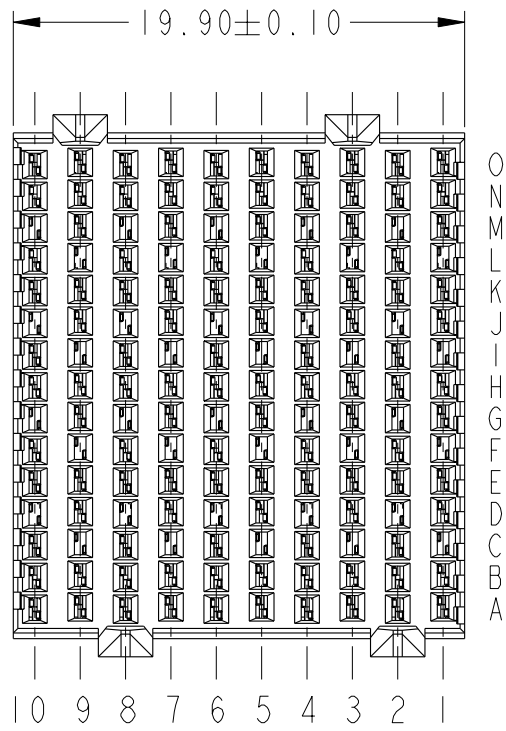


PRODUCT NUMBER
SEE TABLE, SHEET 4



Copyright FCi.

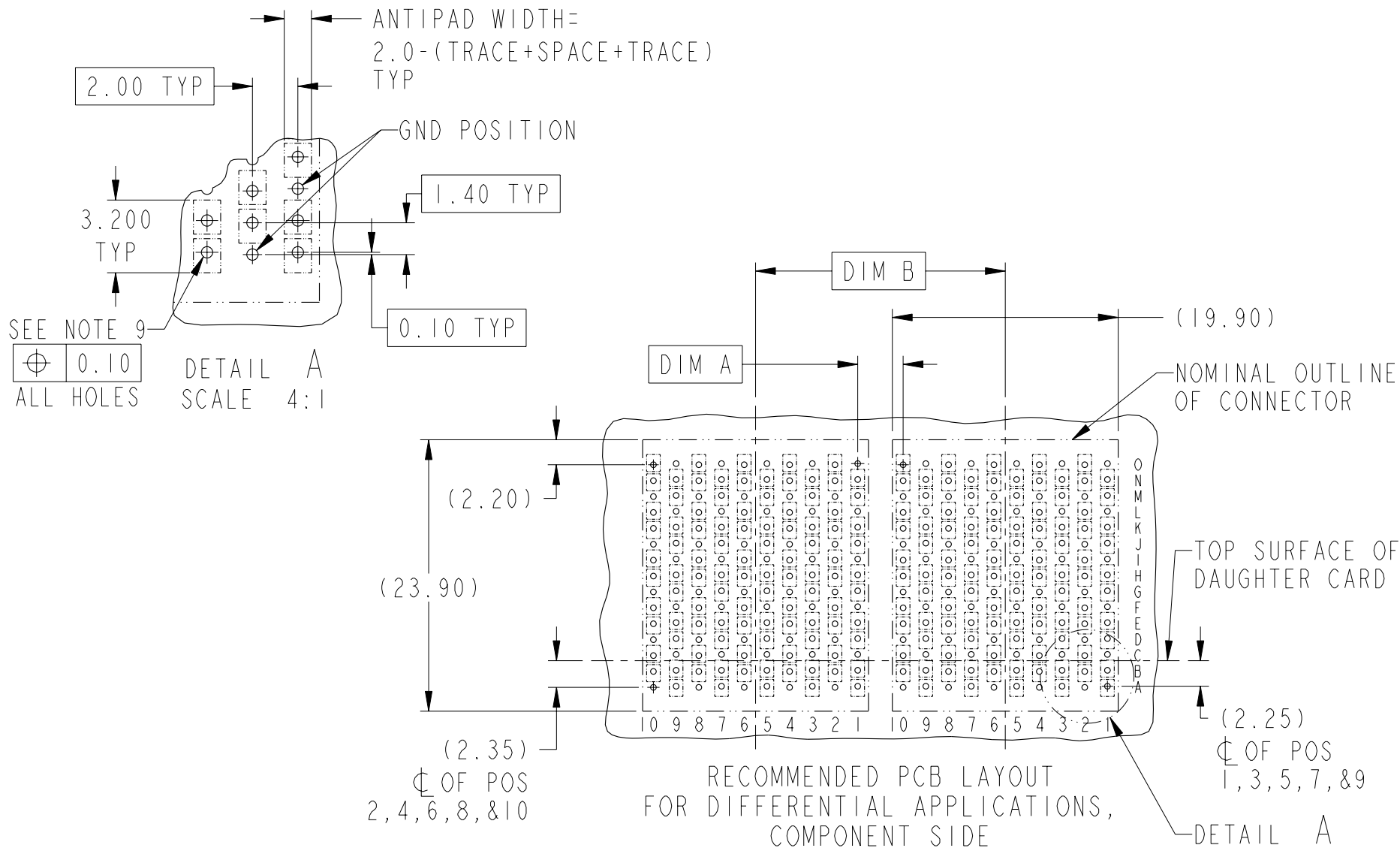
rev	ecn no	dr	date
A	S10-0120	AY	2010-06-04
-	-	-	-
-	-	-	-
-	-	-	-
-	-	-	-
-	-	-	-

www.fciconnect.com		surface - ASME Y14.5	tolerance std ASME Y14.5	projection MM
		TOLERANCES UNLESS OTHERWISE SPECIFIED		
Dr	Y. K. LIM	2009-04-20	ANGULAR	0.X ±0.3
Eng	ANDREW YONG	2010-06-04	LINEAR	0.XX ±0.10
Chr	C. H. TAN	2010-06-04	0° ±2°	0.XXX ±0.050
Appr	JOEY NG	2010-06-04	Product family	AirMax VS
			size	A4
			Scale	3:1
			ECN	S10-0120
			Spec ref	RELEASED
FCi		title	AirMax VS VERT RECPT ASSY	
		dwg no	10099767	
		Rev.	A	
		catalog no	CUSTOMER	sheet 1 of 4

REV E - 2006-03-28



Copyright FCI.



RECOMMENDED PCB LAYOUT
FOR DIFFERENTIAL APPLICATIONS,
COMPONENT SIDE
(TWO ADJACENT FOOTPRINTS SHOWN)
NOTES 6 & 7

ADJACENT HEADER WIDTHS	DIM A	DIM B
20MM/20MM	2.00	20.00
22MM/22MM	4.00	22.00
20MM/22MM	3.00	21.00

	TITLE AirMax VS VERT RECPT ASSY PRESS-FIT, 150 POSITION, 20mm, 85 Ohm	DWG no 10099767	Rev. A
	catalog no -	CUSTOMER	sheet 2 of 4

1

2

3

4

A

B

C

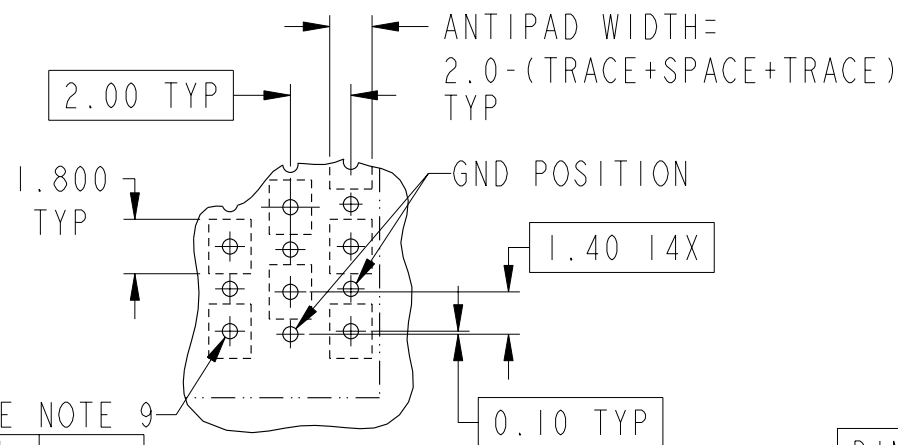
D

A

B

C

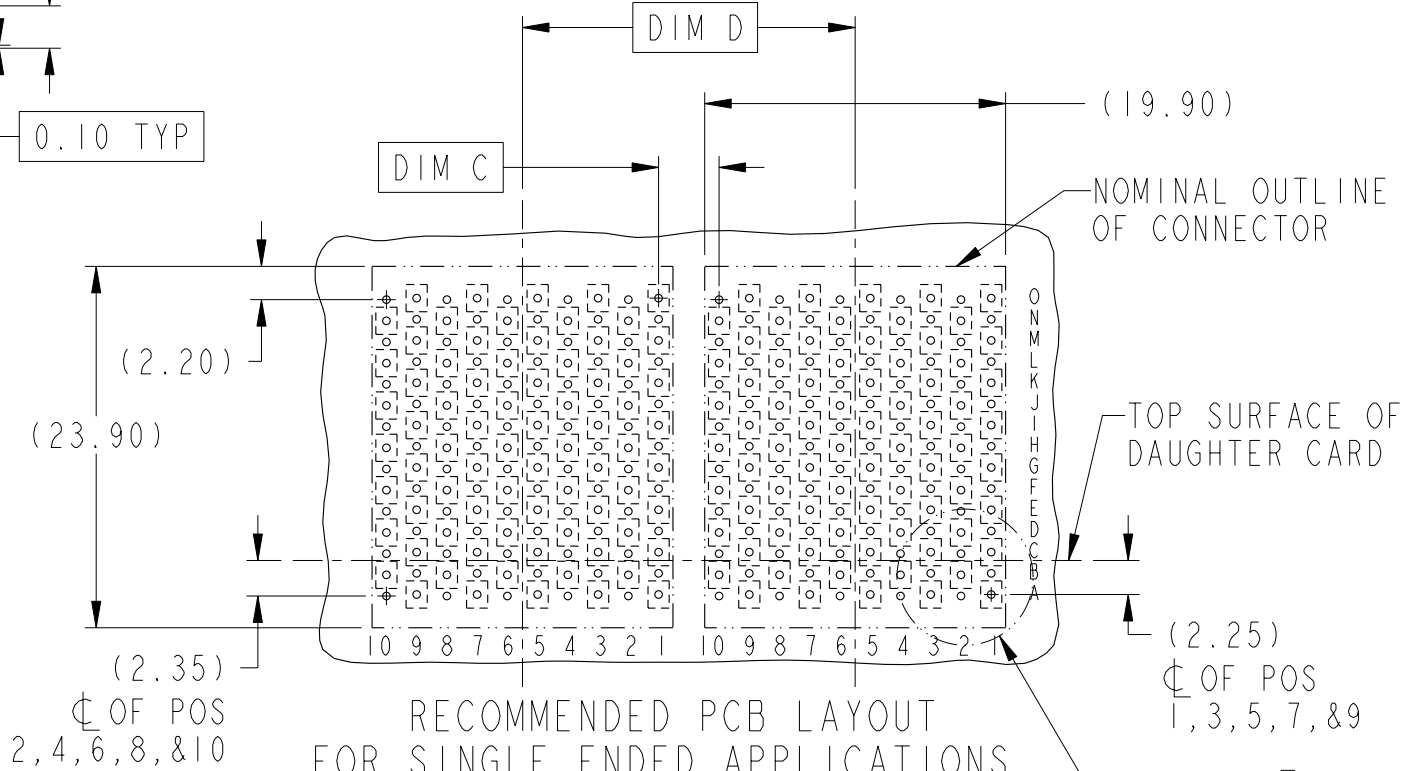
D



SEE NOTE 9

ϕ	0.10
--------	------

ALL HOLES



RECOMMENDED PCB LAYOUT FOR SINGLE ENDED APPLICATIONS, COMPONENT SIDE (TWO ADJACENT FOOTPRINTS SHOWN) NOTES 6 & 7

ADJACENT HEADER WIDTHS	DIM C	DIM D
20MM/20MM	2.00	20.00
22MM/22MM	4.00	22.00
20MM/22MM	3.00	21.00

	TITLE AirMax VS VERT RECPT ASSY PRESS-FIT, 150 POSITION, 20mm, 85 Ohm	DWG no 10099767	Rev. A
	catalog no -	CUSTOMER	sheet 3 of 4



Copyright FCI.

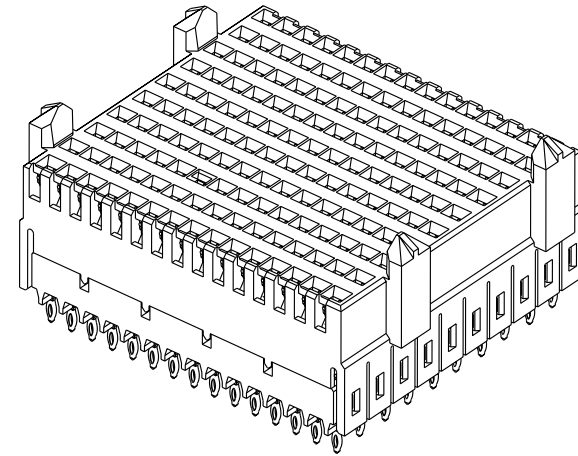
1

2

3

4

PART NUMBER	PRESS-FIT TAIL PLATING TYPE
10099767-101LF	TIN OVER NICKEL (LEAD FREE)



NOTES:

1. CONNECTOR MATERIALS:
HOUSING & RETAINER: HIGH TEMP THERMOPLASTIC, GREY, UL94V-0
IMLA PLASTIC: HIGH TEMP THERMOPLASTIC, GREY, UL94V-0
CONTACT: COPPER ALLOY
2. CONTACT PLATING:
SEPARABLE INTERFACE: PERFORMANCE-BASED PLATING, QUALIFIED TO MEET THE REQUIREMENTS OF FCI PRODUCT SPECIFICATION GS-12-239, INCLUDING TELCORDIA GR-1217-CORE (November 1995) CENTRAL OFFICE TEST SEQUENCE.

PRESS-FIT TAILS: SEE TABLE
3. PRODUCT SPECIFICATION: GS-12-239
4. APPLICATION SPECIFICATION: GS-20-035
5. PRODUCT MARKING, (PART NUMBER & LOT CODE), ON THIS SURFACE
6. REFER TO CUSTOMER DRAWING 10035911 FOR INFORMATION REGARDING PCB LAYOUT OF POWER AND GUIDE MODULES RELATIVE TO SIGNAL MODULES
7. POSITIONS F & L OF ODD NUMBERED COLUMNS AND POSITIONS G & M OF EVEN NUMBERED COLUMNS CORRESPOND TO EARLY MATE HEADER PINS
8. THERE IS NO GROUND BUSSING WITHIN THE CONNECTOR SYSTEM
9. REFER TO CUSTOMER DRAWING 10045979 FOR INFORMATION ON PCB HOLE DIAMETERS AND PLATING OPTIONS.
10. THIS PRODUCT MEETS EUROPEAN UNION DIRECTIVES AND OTHER COUNTRY REGULATIONS AS DESCRIBED IN GS-22-008.
11. THE HOUSING WILL WITHSTAND EXPOSURE TO 260°C PEAK TEMPERATURE FOR 40 SECONDS IN A CONVECTION, INFRA-RED OR VAPOR PHASE REFLOW OVEN.
12. PACKAGING MEETS GS-14-920 LEAD FREE LABELING SPECIFICATION.



Copyright FCI.

FCI	title	AirMax VS VERT RECPT ASSY	dwg no	10099767	Rev.	A
	catalog no	PRESS-FIT, 150 POSITION, 20mm, 85 Ohm	-	CUSTOMER	sheet 4 of 4	

2