

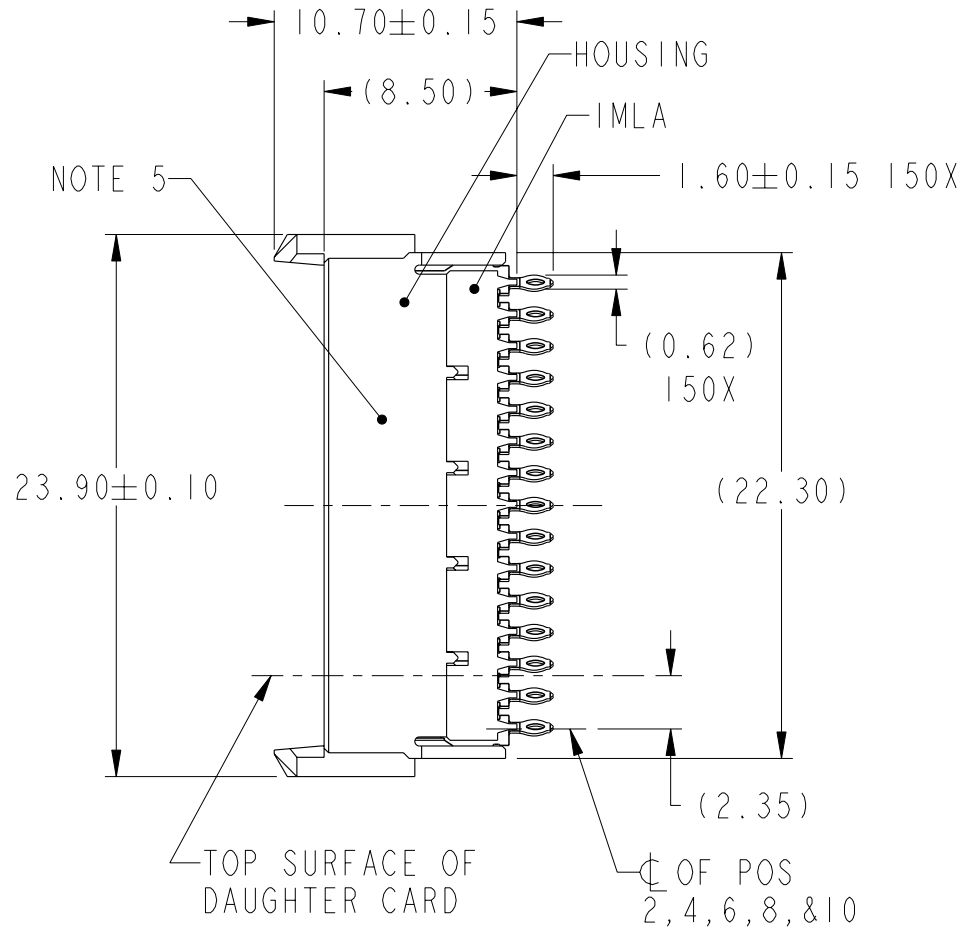
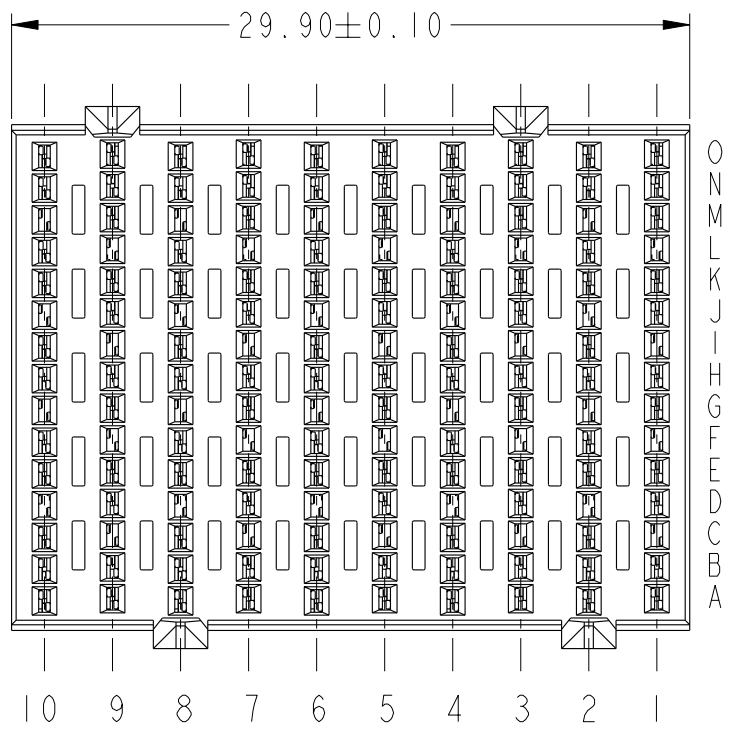
Product number  
SEE TABLE, SHEET 4

A

B

C

D



Copyright FCI.

www.fciconnect.com		surface - ASME Y14.5	tolerance std <input checked="" type="checkbox"/> ASME Y14.5	projection	MM
		TOLERANCES UNLESS OTHERWISE SPECIFIED			
Dr	Y. K. LIM	2009-04-20	ANGULAR	0.X ±0.3	size A4
Eng	ANDREW YONG	2010-06-04	LINEAR	0.XX ±0.10	Scale 3:1
Chr	C. H. TAN	2010-06-04	0° ±2°	0.XXX ±0.050	ECN S10-0120
Appr	JOEY NG	2010-06-04	Product family	AirMax VS	Spec ref RELEASED
		title AirMax VS VERT RECPT ASSY		dwg no 10099768	Rev. A
		PRESS-FIT, 150 POSITION, 30mm, 85 Ohm		CUSTOMER	sheet 1 of 4
		catalog no			

rev	ecn no	dr	date
A	S10-0120	AY	2010-06-04
-	-	-	-
-	-	-	-
-	-	-	-
-	-	-	-
-	-	-	-

REV E - 2006-03-28

1

2

3

4

A

B

C

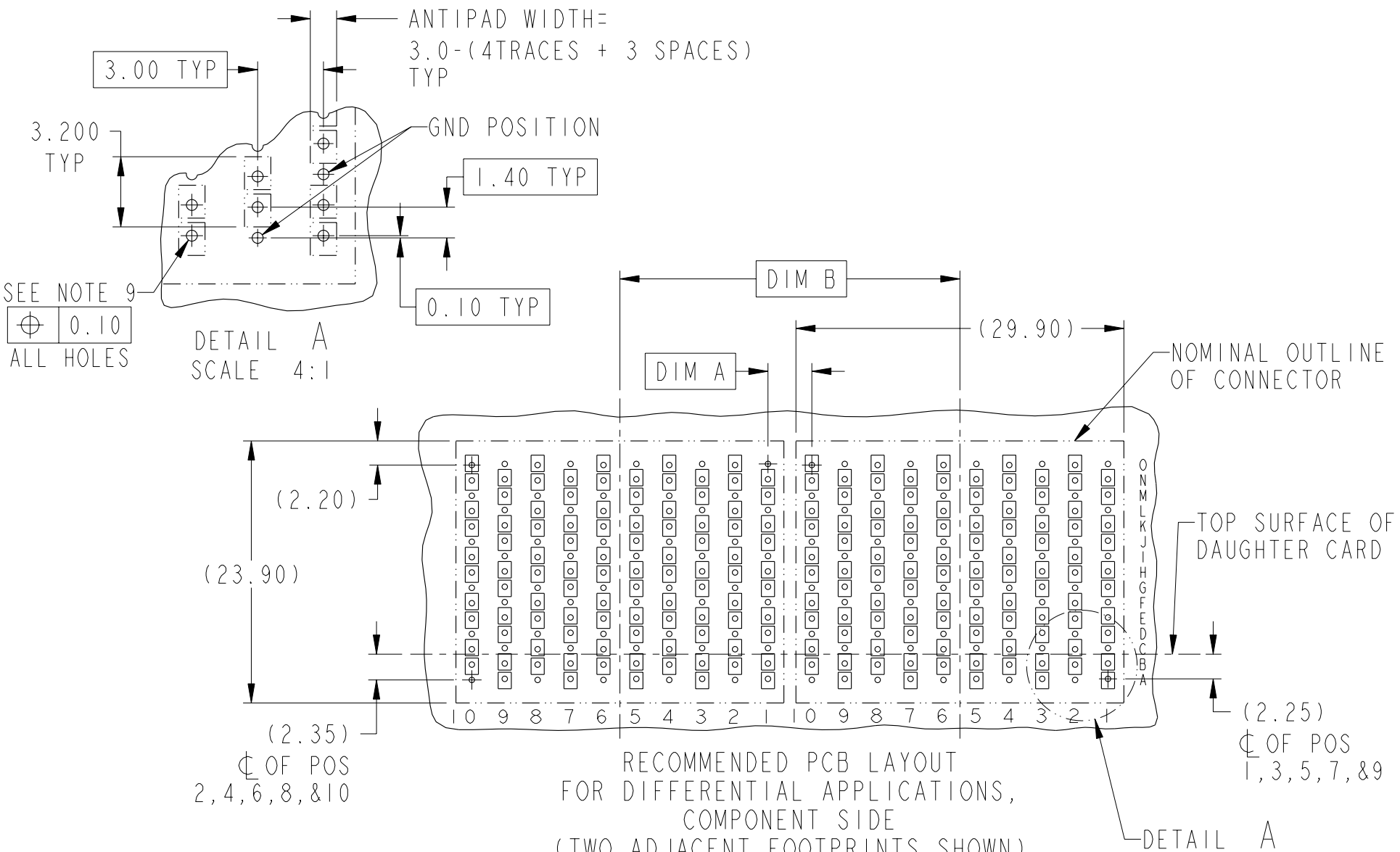
D

A

B

C

D



RECOMMENDED PCB LAYOUT  
FOR DIFFERENTIAL APPLICATIONS,  
COMPONENT SIDE  
(TWO ADJACENT FOOTPRINTS SHOWN)  
NOTES 6 & 7

ADJACENT HEADER WIDTHS	DIM A	DIM B
30MM/30MM	3.00	30.00
32MM/32MM	5.00	32.00
30MM/32MM	4.00	31.00

	title AirMax VS VERT RECPT ASSY PRESS-FIT, 150 POSITION, 30mm, 85 Ohm	part no 10099768	Rev. A
	catalog no -	CUSTOMER	sheet 2 of 4

REV E - 2006-03-28



Copyright FCI.

1

2

3

4

A

B

C

D

A

B

C

D

3.00 TYP

ANTIPAD WIDTH =  
3.0 - (4 TRACES + 3 SPACES)  
TYP

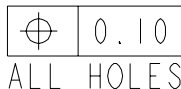
1.80  
TYP

GND POSITION

1.40 TYP

0.10 TYP

SEE NOTE 9



DETAIL B  
SCALE 4:1

DIM D

DIM C

(29.90)

NOMINAL OUTLINE  
OF CONNECTOR

(2.20)  
  
(23.90)

TOP SURFACE OF  
DAUGHTER CARD

(2.35)  
Ø OF POS  
2, 4, 6, 8, & 10

(2.25)  
Ø OF POS  
1, 3, 5, 7, & 9

RECOMMENDED PCB LAYOUT  
FOR SINGLE ENDED APPLICATIONS,  
COMPONENT SIDE  
(TWO ADJACENT FOOTPRINTS SHOWN)  
NOTES 6 & 7

DETAIL B

ADJACENT HEADER WIDTHS	DIM C	DIM D
30MM/30MM	3.00	30.00
32MM/32MM	5.00	32.00
30MM/32MM	4.00	31.00

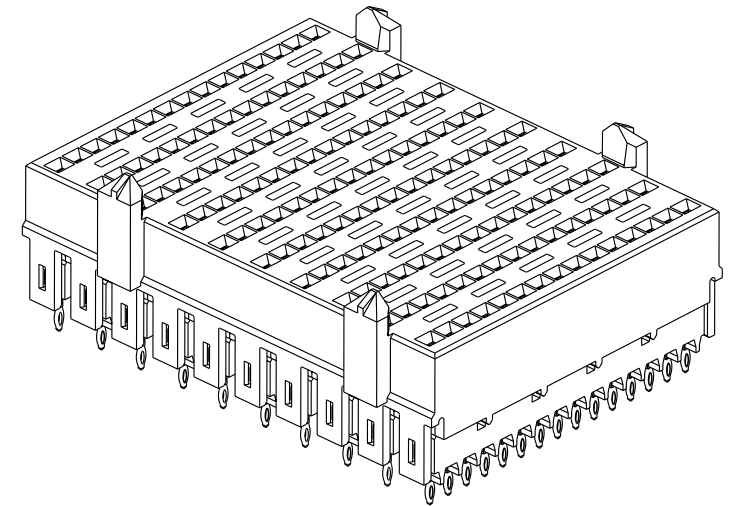


Title	AirMax VS VERT RECPT ASSY		Dwg no	10099768	Rev.	A
	PRESS-FIT, 150 POSITION, 30mm, 85 Ohm					
catalog no			CUSTOMER	sheet 3 of 4		

PART NUMBER	PRESS-FIT TAIL PLATING TYPE
10099768-101LF	TIN OVER NICKEL (LEAD FREE)

NOTES:

1. CONNECTOR MATERIALS:  
HOUSING & RETAINER: HIGH TEMP THERMOPLASTIC, GREY, UL94V-0  
IMLA PLASTIC: HIGH TEMP THERMOPLASTIC, GREY, UL94V-0  
CONTACT: COPPER ALLOY
2. CONTACT PLATING:  
SEPARABLE INTERFACE: PERFORMANCE-BASED PLATING, QUALIFIED TO MEET THE REQUIREMENTS OF FCI PRODUCT SPECIFICATION GS-12-239, INCLUDING TELCORDIA GR-1217-CORE (November 1995) CENTRAL OFFICE TEST SEQUENCE  
  
PRESS-FIT TAILS: SEE TABLE
3. PRODUCT SPECIFICATION: GS-12-239
4. APPLICATION SPECIFICATION: GS-20-035
5. PRODUCT MARKING, (PART NUMBER & LOT CODE), ON THIS SURFACE
6. REFER TO CUSTOMER DRAWING 10035911 FOR INFORMATION REGARDING PCB LAYOUT OF POWER AND GUIDE MODULES RELATIVE TO SIGNAL MODULES
7. POSITIONS F & L OF ODD NUMBERED COLUMNS AND POSITIONS G & M OF EVEN NUMBERED COLUMNS CORRESPOND TO EARLY MATE HEADER PINS
8. THERE IS NO GROUND BUSSING WITHIN THE CONNECTOR SYSTEM
9. REFER TO CUSTOMER DRAWING 10045979 FOR INFORMATION ON PCB HOLE DIAMETERS AND PLATING OPTIONS.
10. THIS PRODUCT MEETS EUROPEAN UNION DIRECTIVES AND OTHER COUNTRY REGULATIONS AS DESCRIBED IN GS-22-008.
11. THE HOUSING WILL WITHSTAND EXPOSURE TO 260°C PEAK TEMPERATURE FOR 40 SECONDS IN A CONVECTION, INFRA-RED OR VAPOR PHASE REFLOW OVEN.
12. PACKAGING MEETS GS-14-920 LEAD FREE LABELING SPECIFICATION.



Copyright FCI.

FCI	title	AirMax VS VERT RECPT ASSY	Rev.	A
	catalog no	PRESS-FIT, 150 POSITION, 30mm, 85 Ohm	10099768	
	draw no	-	CUSTOMER	sheet 4 of 4