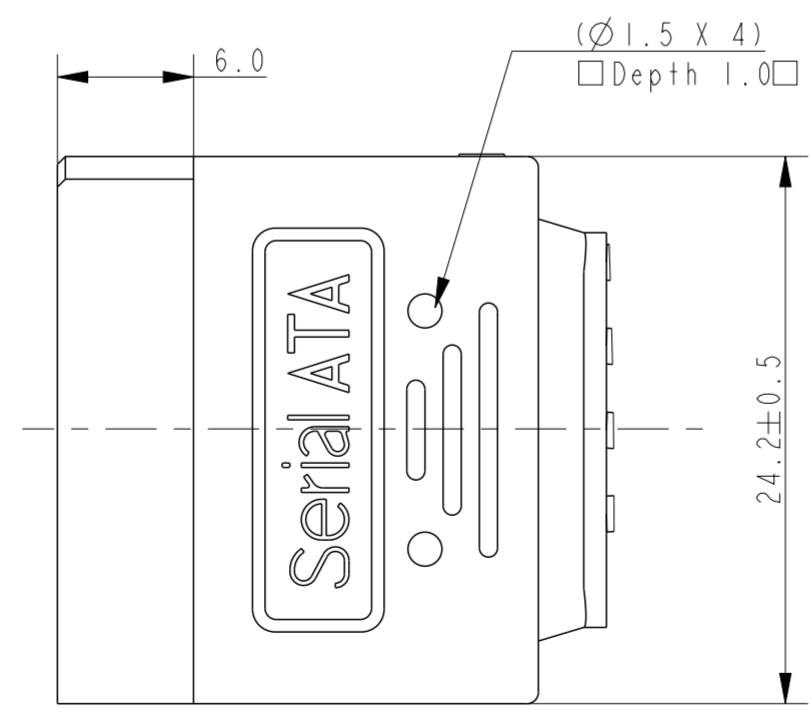
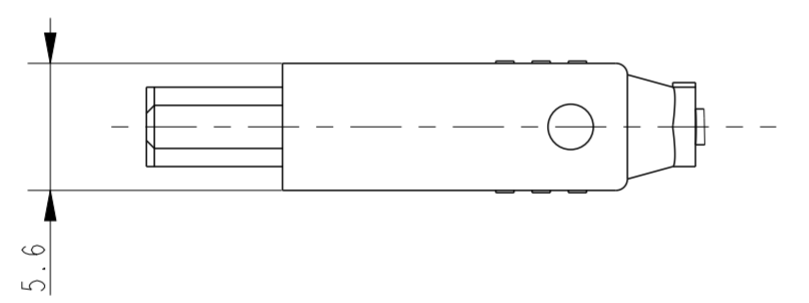
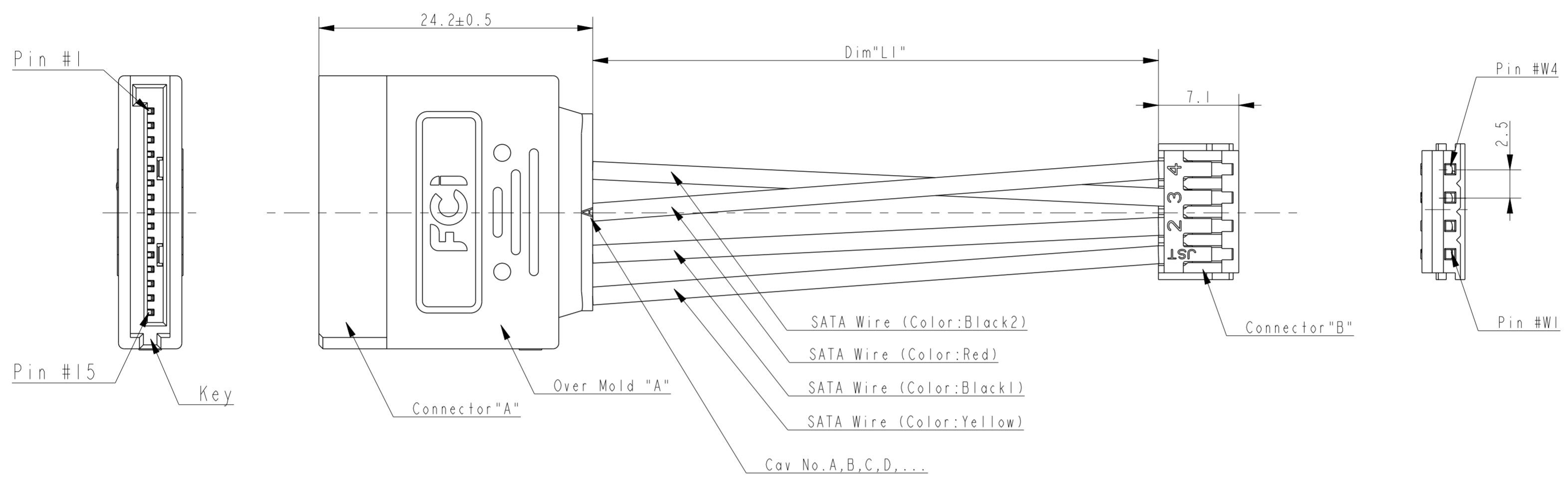


1	2	3	4	5	6	7	8
Product NO.	Dim "L1"	Connector "A"	Over Mold "A"	Connector "B"	SATA Cable Wire	Solder	
10103791-15S064HLF	64±8	SATA 15P Receptacle connector Straight type	Heat resistant resin, Halogen Free, UL94V-0, Color Black	EH 4P Connector (2.5mmP Wire/Board Connector)	Insulation Wire (UL3385 105°C 300V AWG22 VW-1 Halogen Free with F-mark) Color Black X2, Yellow, Red	Sn96.5-Ag3.0-Cu0.5 Lead Free	
10103791-15S108HLF	108±8	Housing, Back Cover: Heat resistant resin, Halogen Free, UL94V-0, Color Black		Maker: JST Part No.: Housing: EHR-4 Terminal: SEH-001 T-P0.6			
10103791-15S200HLF	200±10	Contact: Copper Alloy					
10103791-15S220HLF	220±10	Contact Area: Gold plating over Ni plating					



NOTE.)
 1) This product is based on Serial ATA Revision 2.6.
 2) This product is manufactured by soldering process.
 3) About the other Dim "L1" length, please inquire to sales person in our company.
 4) Product SPEC: GS-12-672
 5) Package SPEC: GS-14-1056
 6) P/N composition

10103791 - 15 S XXX H LF
 Lead Free
 Halogen Free
 Cable length: Dim "L1"
 SATA Side Type: (S: Straight, R: R/A)
 Power connector position

Wiring Table
 Pin Assignment

Connector "A"		Connector "B"	
Type	Pin #	Pin #	Type
V33	#1		
	#2		
	#3		
GND	#4	red	#W4
	#5		V5
V5	#6		
	#7		
	#8	black2	#W3
	#9		GND
GND	#10		
	#11		
	#12	black1	#W2
	#13		GND
V12	#14		
	#15	Yellow	#W1
			V12

spec ref	dr	Ishihita, Tak	2011/10/01	projection	MM	size	A2	scale	3.000
tolerance std	eng	Ishihita, Tak	2018/09/13			ecn no	ELX-J31192-1	rel level	Released
ISO 406 ISO 1101	chr	-	apppr						
surface	linear	0.X	±0.4	Amphenol FCI		product family	SATA15P Power Cable Harness	cat. no.	10103791
		0.XX	±0.4	SATA15P Receptacle Straight		rel level	Released	sheet 1 of 1	rev
	angular	0°	±4°	Product - Customer Drw		rev	B		

Amphenol FCI

© 2016 APCI