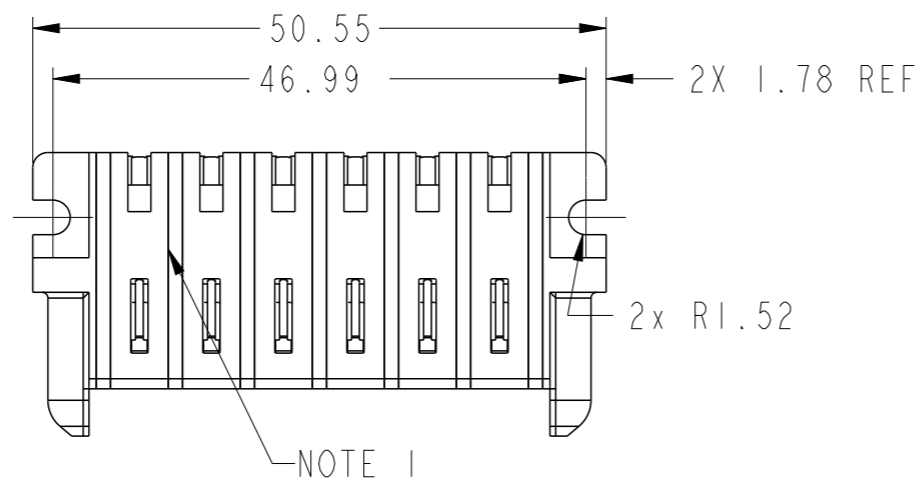
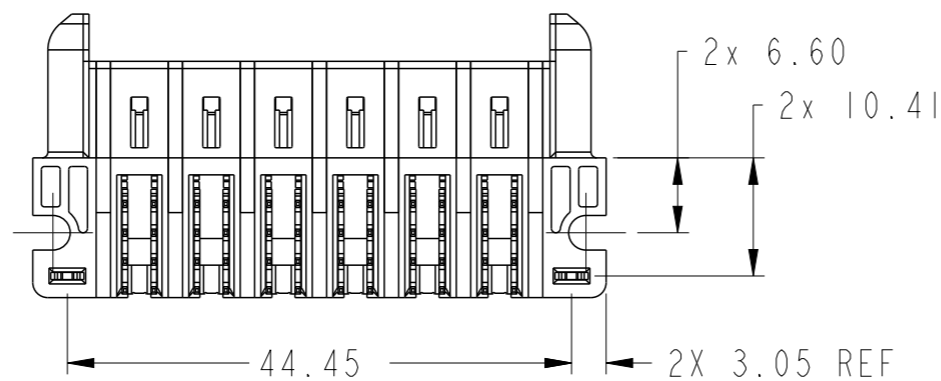
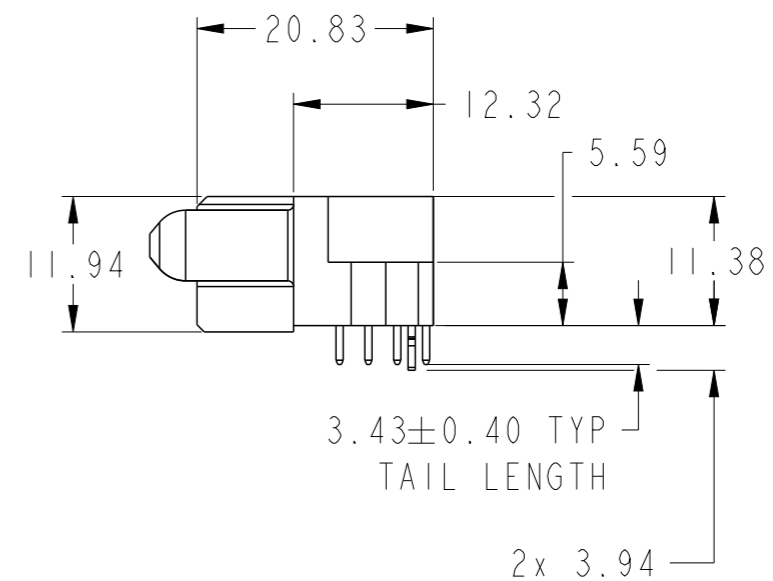
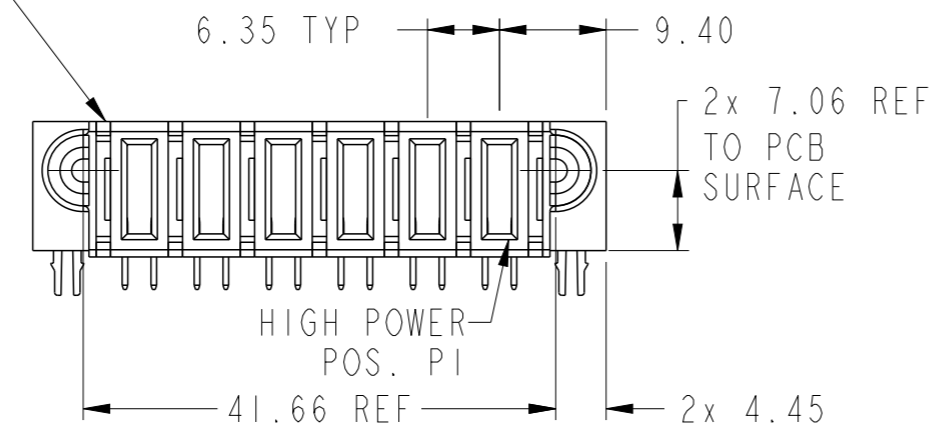


PRODUCT NUMBER SEE SHEET 2



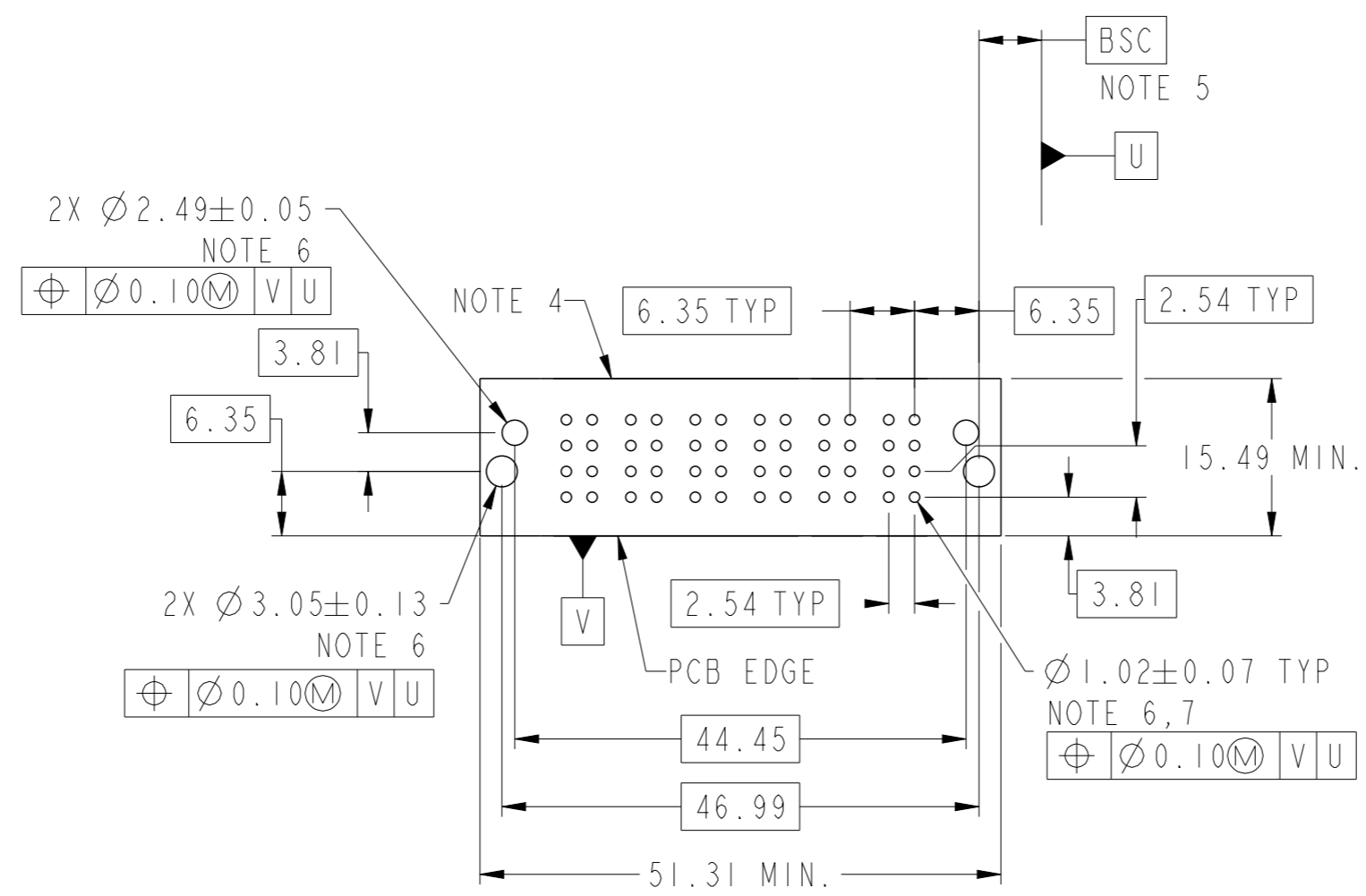
VOID CORING
OPTION, TYP
SEE NOTE 9



spec ref	*	dr	Rainbow Zhan	2016/09/09	projection	MM	size	A3	scale	3:2
tolerance std	ISO 406 ISO 1101	eng	Rainbow Zhan	2017/01/19			ecn no	-	rel level	Released
TOLERANCES UNLESS OTHERWISE SPECIFIED		chr	Fancy Zhang	2017/01/19			product family	PwrBlade+	rel level	Released
surface	linear	0.X	±0.5	Amphenol FCI www.fci.com	6HP		dwg no 10106264-6000001	rev		A
		0.XX	±0.25		RA STB RECEPTACLE					
	angular	0°	±2°		cat. no.	Product - Customer Drw		sheet 1 of 3		

PRODUCT NO.	ROWS	HIGH POWER							
		E1	P6	P5	P4	P3	P2	P1	E2
10106264-6000001LF	DCBA		H3	H3	H3	H3	H3	H3	

CODE	DESCRIPTION
H3	STD HIGH POWER CONTACT(3.43)
HA	METAL HOLD DOWN



Amphenol
FCi

© 2016 AFCI

spec ref	*	dr	Rainbow Zhan	2016/09/09	projection	MM	size	A3	scale	3:2
tolerance std	ISO 406 ISO 1101	eng	Rainbow Zhan	2017/01/19		←→	ecn no	-	rel level	Released
TOLERANCES UNLESS OTHERWISE SPECIFIED		chr	Fancy Zhang	2017/01/19						
surface	linear	appr	Pei-Ming Zheng	2017/01/19	product family	PwrBlade+	rev		A	
ISO 1302	angular	Amphenol FCi www.fci.com		6HP RA STB RECEPTACLE	cat. no.	Product - Customer Drw	dwg no	10106264-6000001	sheet 2 of 3	

NOTES:

- 1) PRODUCT MARK:
PART NUMBER AND DATE CODE TO BE MARKED ON THIS SURFACE .
THE MARK CAN BE OMITTED IF THERE IS NOT ENOUGH SPACE ON THIS SURFACE.
- 2) MATERIALS:
-HOUSING : HIGH TEMP THERMOPLASTIC WITH GLASS FIBER, UL94V-0, BLACK.
-POWER CONTACT : HIGH CONDUCTIVITY COPPER ALLOY.
-SIGNAL CONTACT : COPPER ALLOY.
- 3) PLATING SPECIFICATION : 10116351
- 4) DENOTES CONNECTOR KEEP OUT ZONE.
- 5) DATUM AND BASIC DIMENIONS ARE ESTABLISHED BY CUSTOMER.
- 6) ALL HOLE DIAMETERS ARE FINISHED HOLE SIZES.
- 7) 1.15+/-0.025MM DRILLED HOLE PLATED WITH 0.00762MM MIN SN
OVER 0.0254-0.0762MM CU PLATING TO ACHIEVE A 1.02+/-0.07MM HOLE.
- 8) THE HOUSING WILL WITHSTAND EXPOSURE TO 265 °C PEAK TEMPERATURE
FOR 10 SECONDS IN A WAVE SOLDER APPLICATION.
- 9) THE VOID CORING IN BETWEEN POWER MODULES, SIGNAL MODULES AND
END MODULES ARE OPTIONAL AND THE SHAPE MAY BE DIFFERENT FOR
OPTIMIZE THE MOLDING PROCESS. THE VOID CORING WILL NOT EFFECT
TO PRODUCT FUNCTION.
- 10) THIS PRODUCT MEETS EUROPEAN UNION DIRECTIVES AND OTHER COUNTRY
REGULATIONS AS DESCRIBED IN GS-47-0004.
- 12) PRODUCT SPECIFICATION : GS-12-658.
APPLICATION SPECIFICATION : GS-20-141.
PRODUCT PACKAGE SPECIFICATION: GS-14-1502.

Amphenol
FCi

© 2016 AFCI

spec ref *		dr	Rainbow Zhan	2016/09/09	projection	MM	size	A3	scale	3:2		
tolerance std		eng	Rainbow Zhan	2017/01/19		← →	ecn no		-			
ISO 406 ISO 1101		chr	Fancy Zhang	2017/01/19			rel level		Released			
TOLERANCES UNLESS OTHERWISE SPECIFIED		appr	Pei-Ming Zheng	2017/01/19	product family		PwrBlade+					
surface	linear	0.X	±0.5	Amphenol FCi	part no		6HP		dwg no	10106264-6000001	rev	A
		0.XX	±0.25		RA STB RECEPTACLE							
		0.XXX	±0.10									
ISO 1302	angular	0°	±2°	www.fci.com	cat. no.	Product - Customer Drw		sheet 3 of 3				