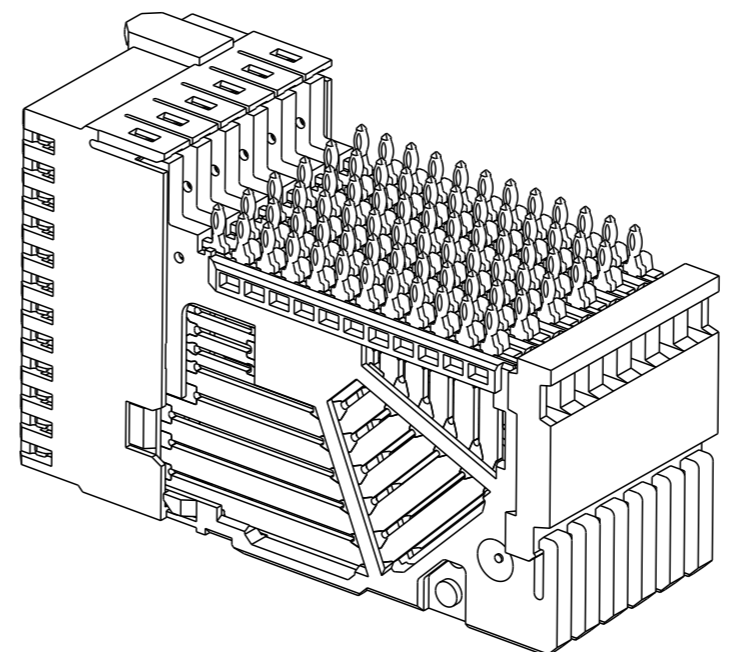
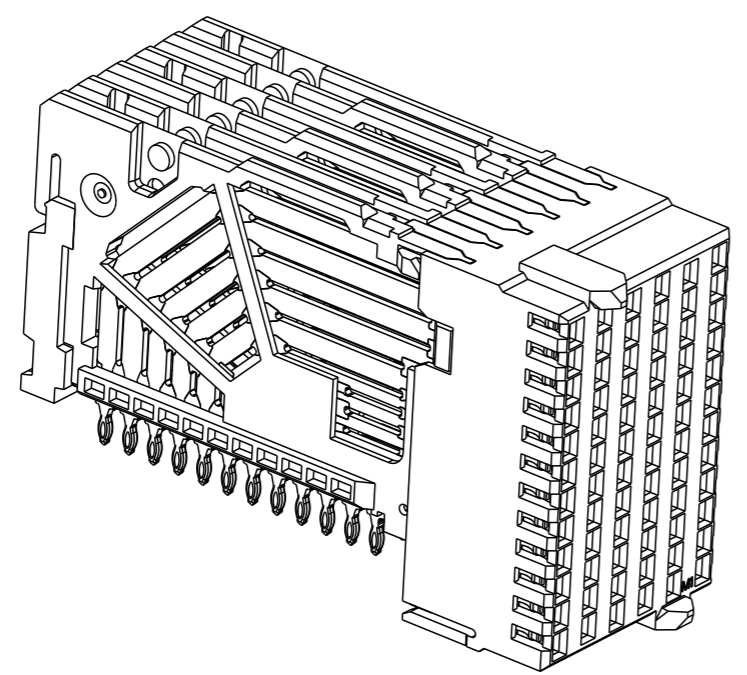
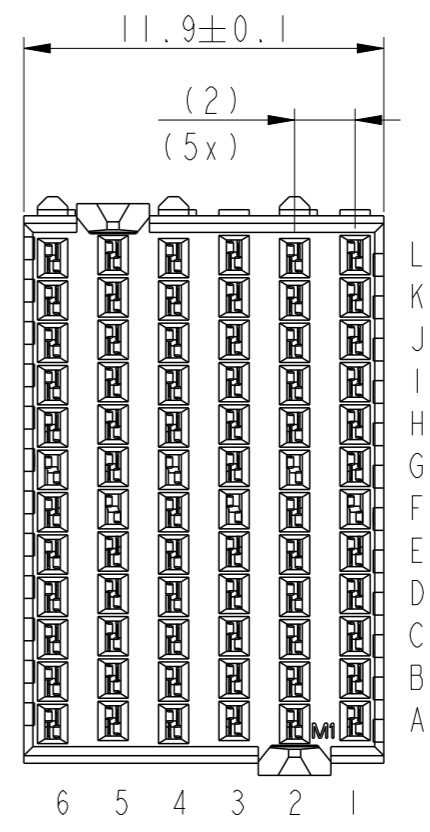
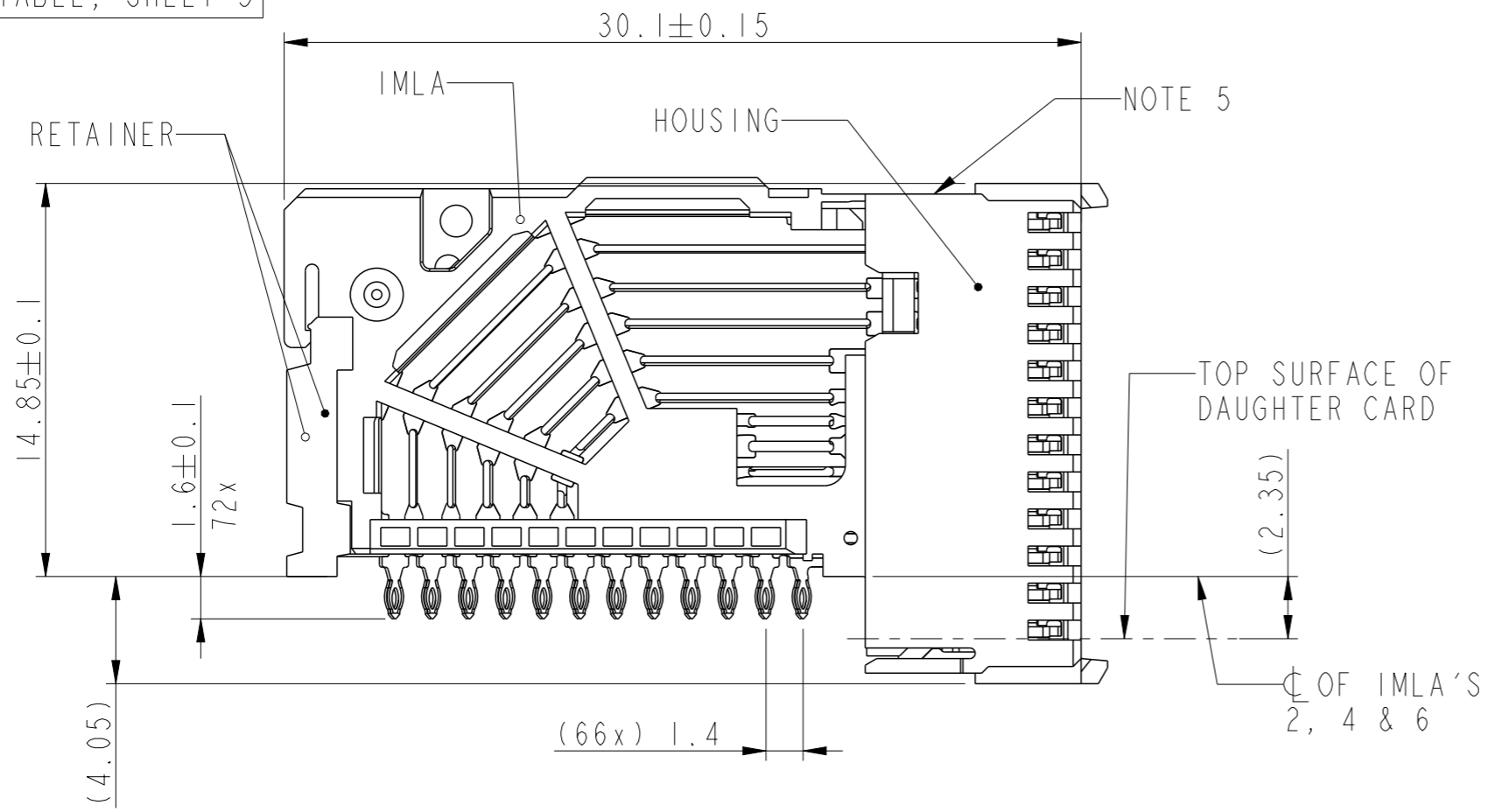
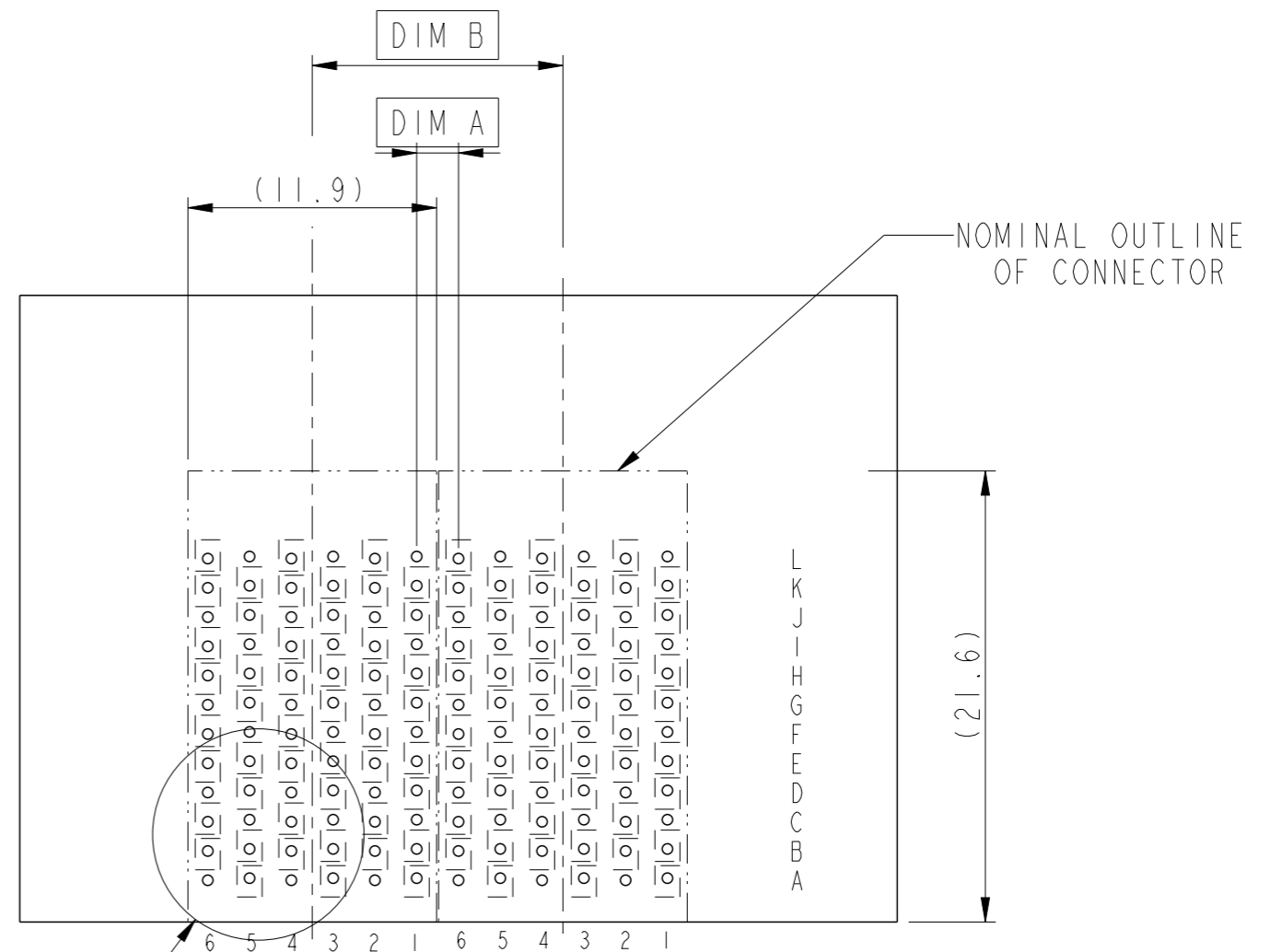
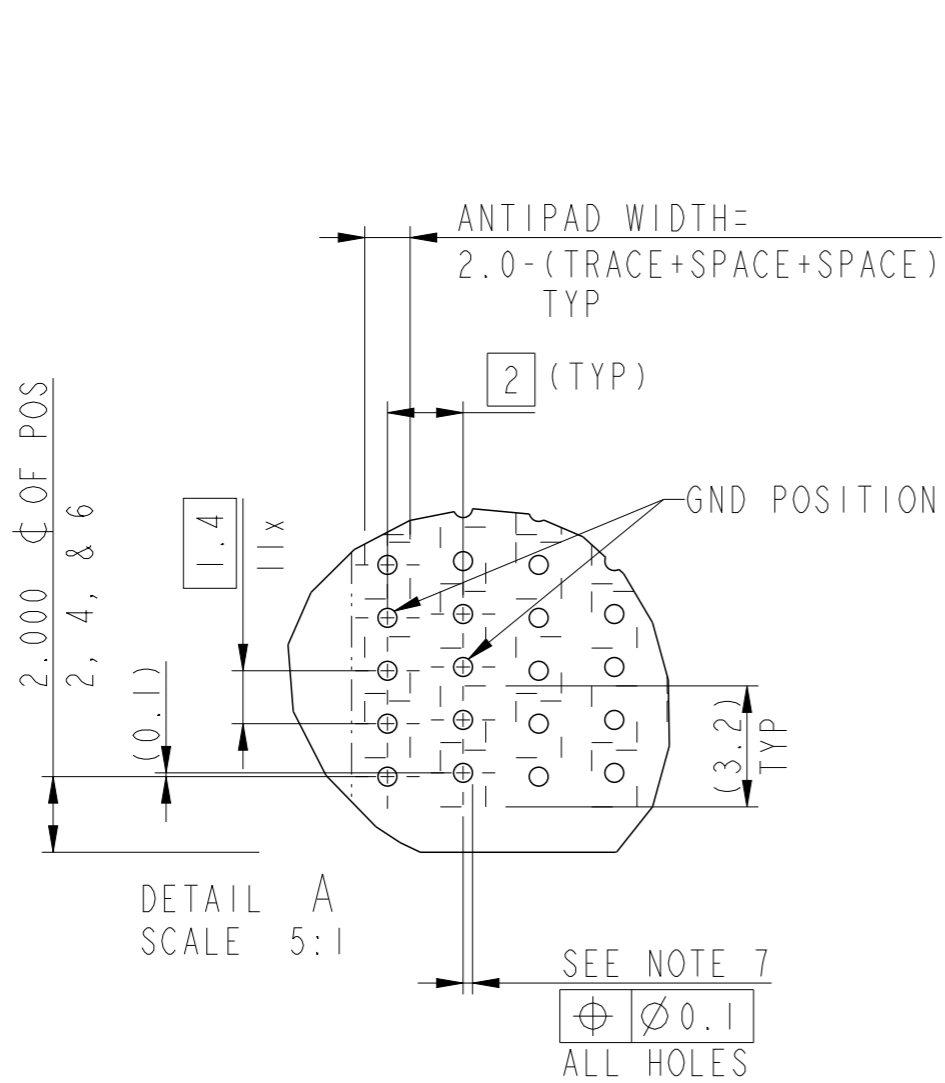


PRODUCT-NUMBER
SEE TABLE, SHEET 3



Copyright FCI.

| | | | | | | | | | | | |
|---------------------------------------|---------------------|-------|---------------|-------------|----------------|---------------------------|-----------|-----------------------------------|--------------|-----|---|
| spec ref | - | dr | Andrew Yong | 2011/06/02 | projection | MM | size | A3 | scale | 4:1 | |
| tolerance std | ISO 406 ISO 1101 | eng | Andrew Yong | 2011/09/13 | | | ecn no | ELX-S-005903-1 | | | |
| TOLERANCES UNLESS OTHERWISE SPECIFIED | | chr | - | - | | | rel level | Released | | | |
| surface | ISO 1302 | appr | Chen-Hong Tan | 2011/09/13 | product family | - | dwg no | 10114633 | | rev | C |
| | linear | 0.X | ±0.3 | | title | Airmax VS R.A. Receptacle | | cat. no. - Product - Customer Drw | sheet 1 of 3 | | |
| | | 0.XX | ±0.10 | | | | | | | | |
| | | 0.XXX | ±0.050 | | | | | | | | |
| | angular | 0° | ±° | www.fci.com | | | | | | | |



SEE DETAIL A

RECOMMENDED PCB LAYOUT
FOR DIFFERENTIAL APPLICATIONS
COMPONENT SIDE
(TWO ADJACENT FOOTPRINTS SHOWN)

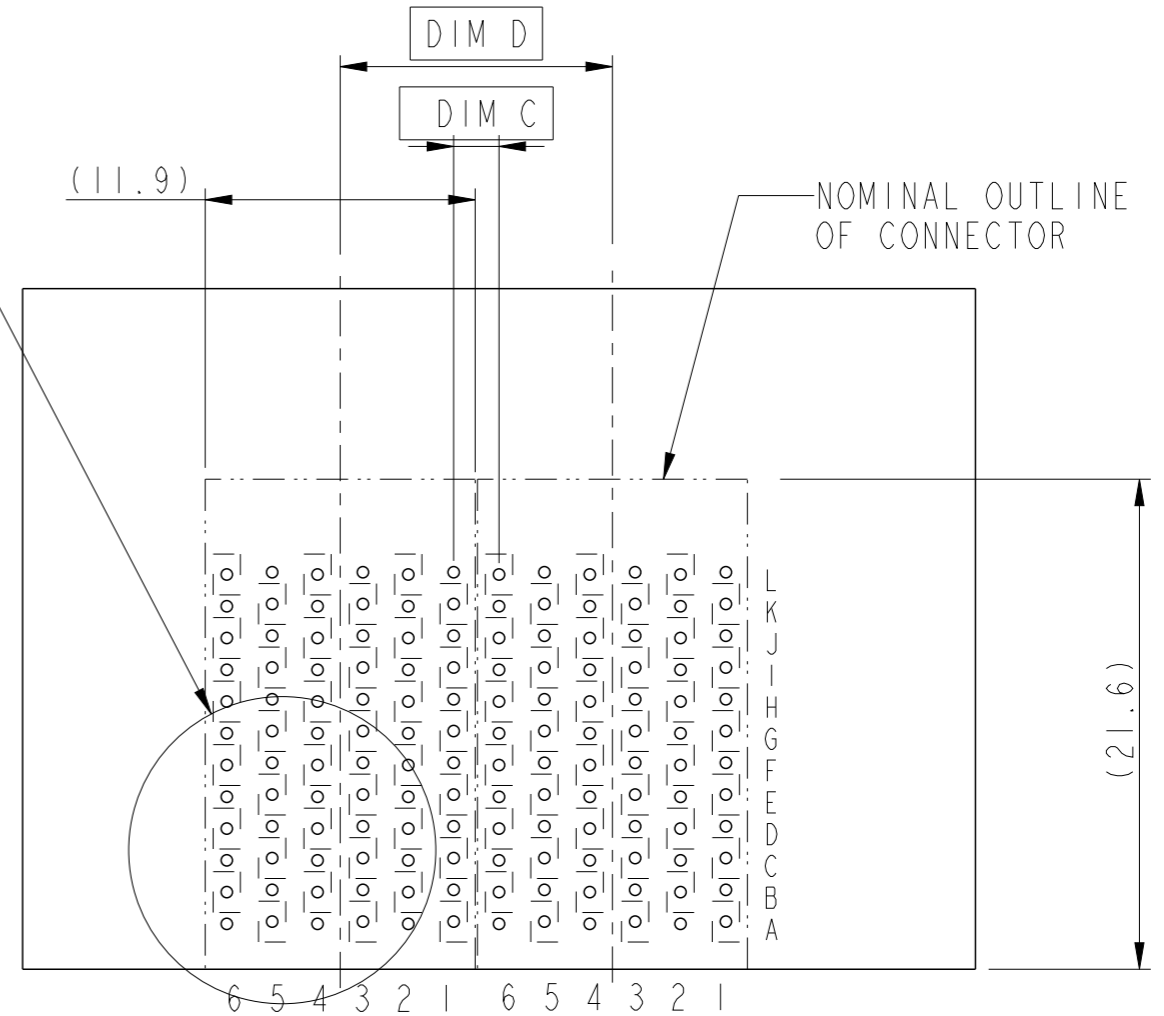
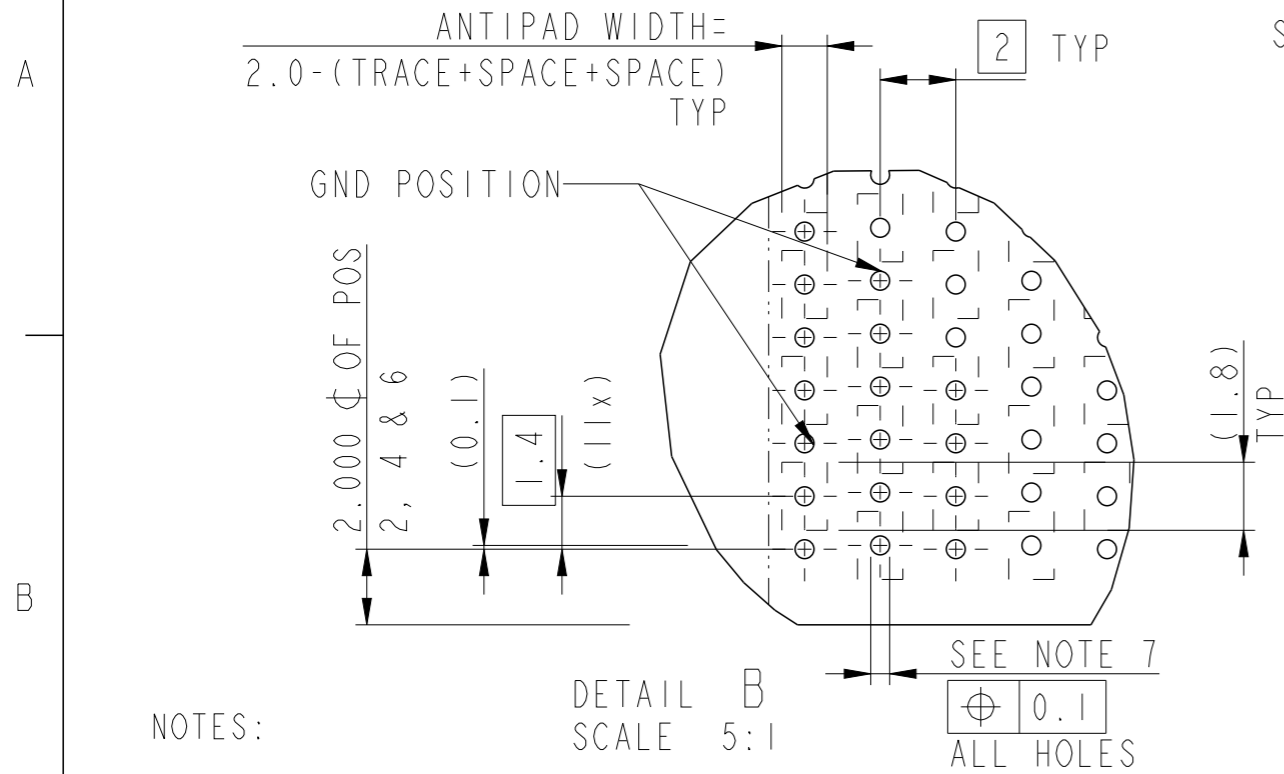
| ADJACENT HEADER WIDTH | DIM A | DIM B |
|-----------------------|-------|-------|
| 16MM/16MM | 2MM | 16MM |
| 16MM/18MM | 3MM | 17MM |
| 18MM/18MM | 4MM | 18MM |

| | | | | | | | | | | |
|---------------------------------------|---------------------|------|---------------|------------|--------------------|----|---|----------|-----------------------------------|----------|
| spec ref | - | dr | Andrew Yong | 2011/06/02 | projection | MM | size | A3 | scale | 1:1 |
| tolerance std | ISO 406 ISO 1101 | eng | Andrew Yong | 2011/09/13 | | | ecn no | - | rel level | Released |
| TOLERANCES UNLESS OTHERWISE SPECIFIED | | chr | - | 2011/09/13 | | | | | | |
| surface | ISO 1302 | appr | Chen-Hong Tan | 2011/09/13 | | | dwg no | 10114633 | rev | C |
| | linear | | | | www.fci.com | | title Airmax VS R.A. Receptacle Ass'y 4 pair 72 pos 6 IMLA, 12mm | | cat. no. - Product - Customer Drw | |
| | angular | | | | | | sheet 2 of 3 | | | |



Copyright FCI.

| | |
|----------------|-----------------------------|
| PART NUMBER | PRESS FIT TAIL PLATING TYPE |
| 10114633-101 | TIN/LEAD ALLOY OVER NICKEL |
| 10114633-101LF | LEAD FREE |



NOTES:

- CONNECTOR MATERIALS:
HOUSING & RETAINER: HIGH TEMP THERMOPLASTIC, NATURAL, UL94V-0
IMLA PLASTIC: HIGH TEMP PLASTIC, BLACK, UL94V-0
CONTACT: COPPER ALLOY
- CONTACT PLATING:
SEPARABLE INTERFACE: PERFORMANCE BASED PLATING, QUALIFIED TO MEET THE REQUIREMENTS OF FCI PRODUCT SPECIFICATION GS-12-239, INCLUDING TELCORDIA GR-1217-CORE (NOV 1995) CENTRAL OFFICE TEST SEQUENCE.
PRESS-FIT TAILS: SEE TABLE
- PRODUCT SPECIFICATION: GS-12-239
- APPLICATION SPECIFICATION: GS-20-035.
- PRODUCT MARKING, (PARTNUMBER & LOT CODE), ON THIS SURFACE
- THERE IS NO GROUND BUSSING WITHIN THE CONNECTOR SYSTEM.
- SEE CUSTOMER DRAWING 10045979 FOR INFORMATION ON PCB HOLE DIAMETER AND PLATING OPTIONS.
- THIS PRODUCT MEETS EUROPEAN UNION DIRECTIVES AND OTHER COUNTRY REGULATIONS AS DESCRIBED IN GS-22-008.
- THE HOUSING WILL WITHSTAND EXPOSURE TO 260 °C PEAK TEMPERATURE FOR 40 SECONDS IN A CONVECTOR, INFRA-RED OR VAPOR PHASE REFLOW OVEN.
- PACKAGING MEETS GS-14-920 LEAD FREE LABELLING SPECIFICATION
- A \triangle SYMBOL WILL BE NEXT TO ANY DIMENSION, VIEW, OR NOTE WHICH HAS BEEN MODIFIED WITH THE CURRENT DRAWING REVISION.

RECOMMENDED PCB LAYOUT
FOR SINGLE ENDED APPLICATIONS
COMPONENT SIDE
(TWO ADJACENT FOOTPRINTS SHOWN)

| ADJACENT HEADER WIDTH | DIM C | DIM D |
|-----------------------|-------|-------|
| 16MM/16MM | 2MM | 12MM |
| 16MM/18MM | 3MM | 13MM |
| 18MM/18MM | 4MM | 14MM |

| | | | | | | | | | | |
|---------------|---------------------|------|---------------|------------|------------------------|----|---------------------------|----|----------------|-----|
| spec ref | - | dr | Andrew Yong | 2011/06/02 | projection | MM | size | A3 | scale | 1:1 |
| tolerance std | ISO 406 ISO 1101 | eng | Andrew Yong | 2011/09/13 | | | ecn no | | ELX-S-005903-1 | |
| surface | ✓ | chr | - | - | | | rel level | | Released | |
| | | appr | Chen-Hong Tan | 2011/09/13 | product family | - | dwg no | | 10114633 | |
| | | | | | title | | Airmax VS R.A. Receptacle | | rev | |
| | | | | | www.fci.com | | cat. no. | | - | |
| | | | | | Product - Customer Drw | | sheet 3 of 3 | | C | |