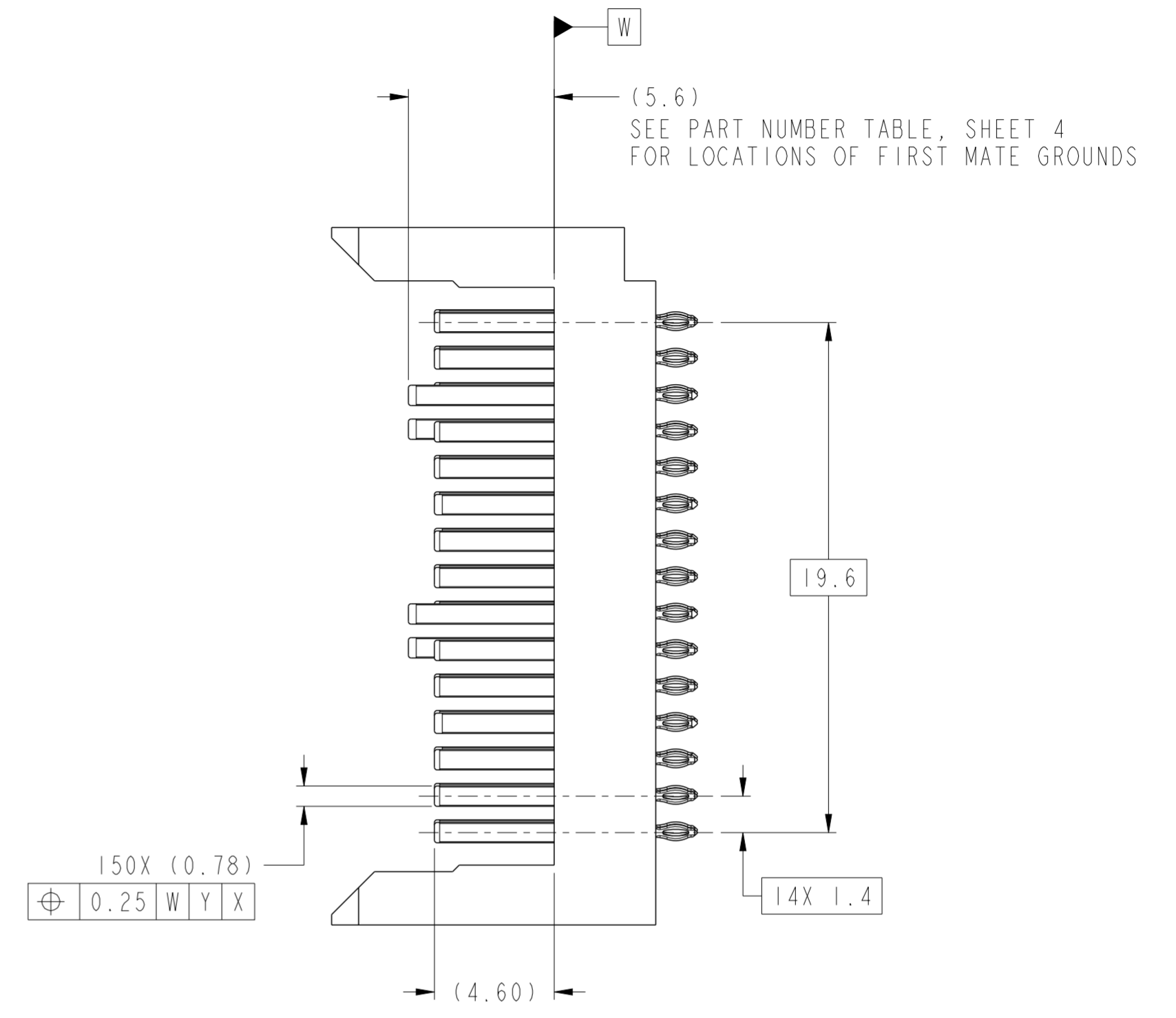
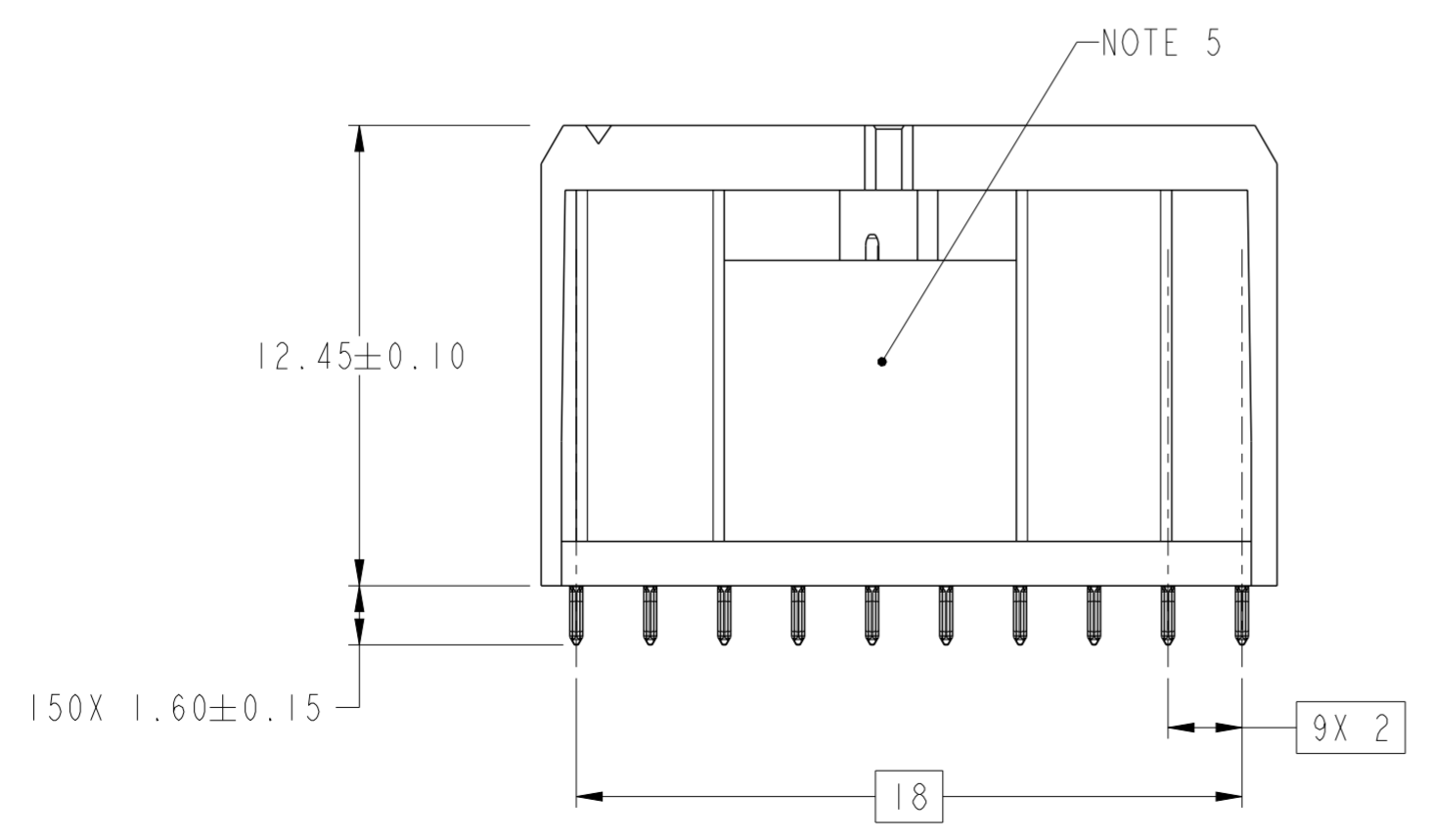
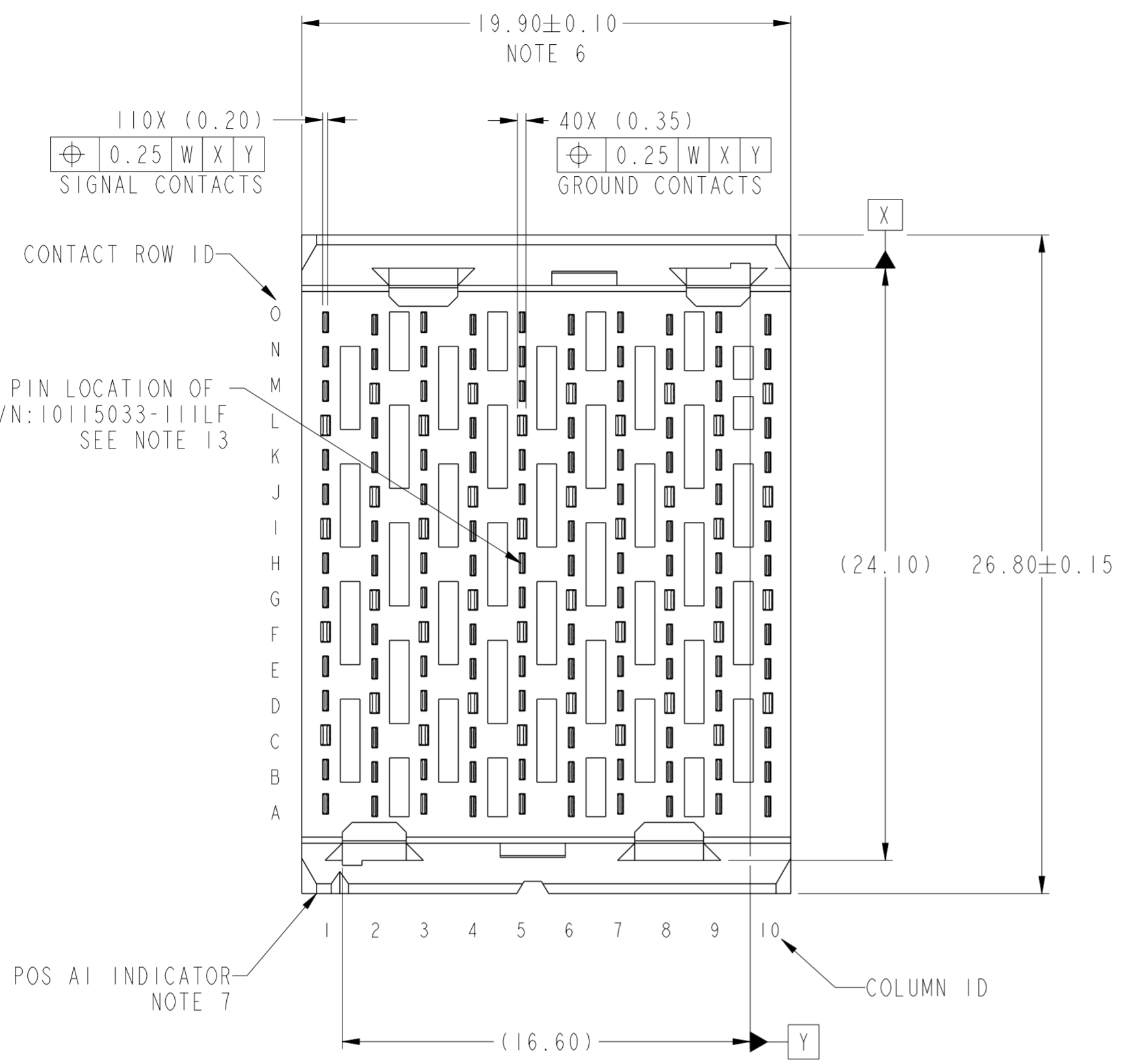


Product number  
SEE TABLE, SHT 4

A  
B  
C  
D  
E  
F

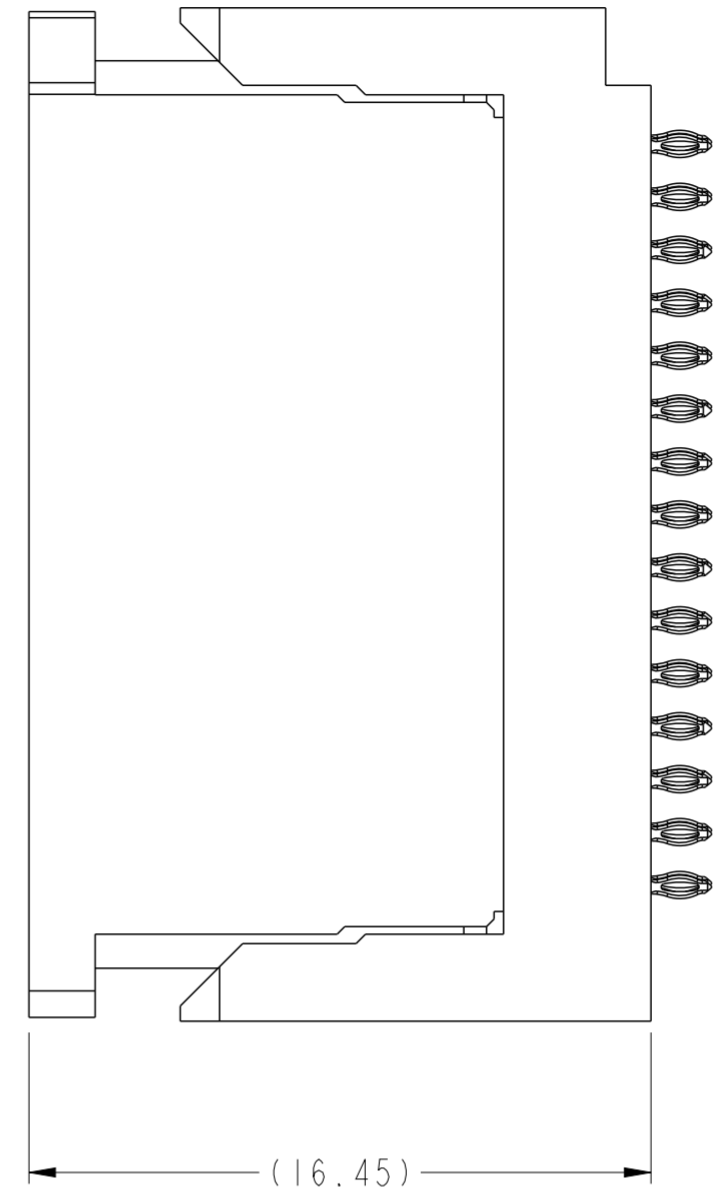
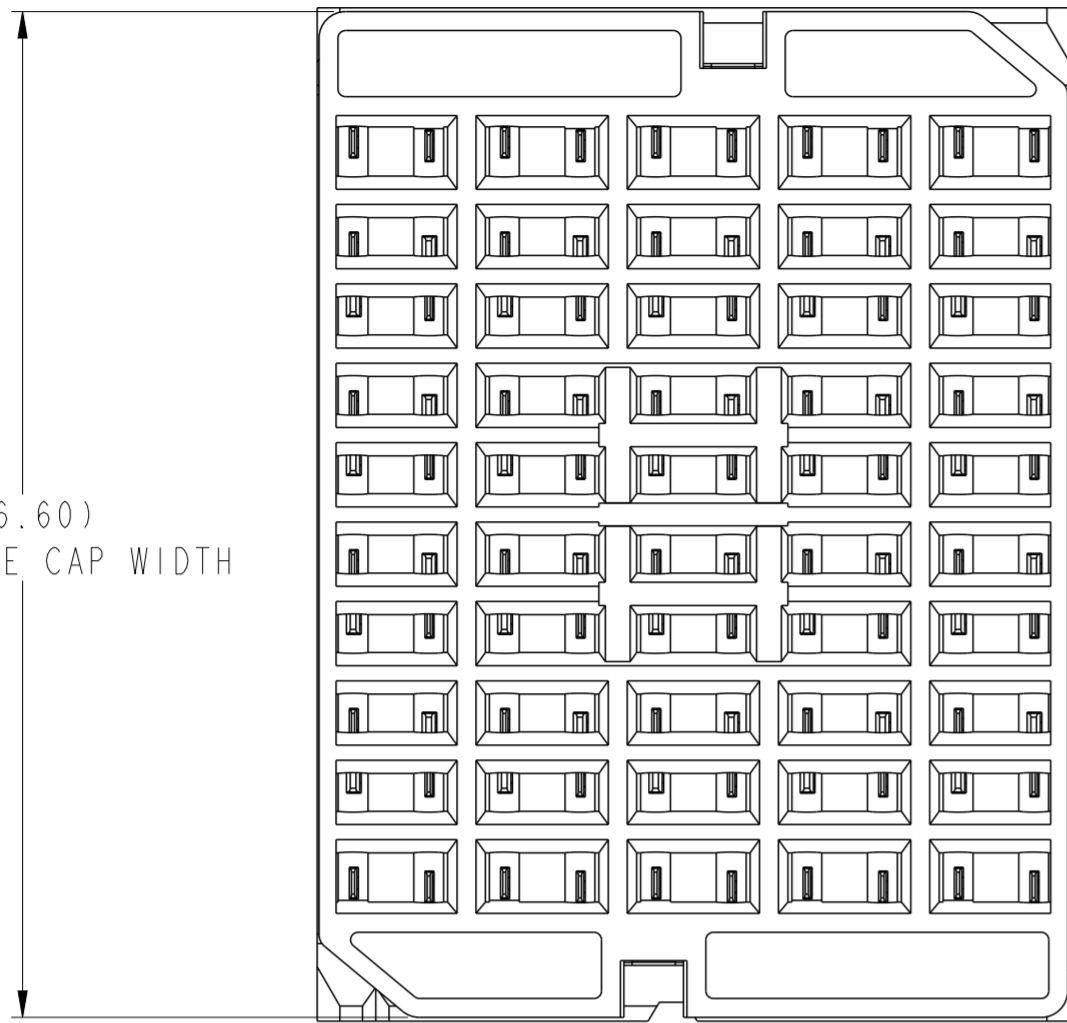


spec ref	-	dr	Mark R Gray	2010/06/28	projection	MM	size	A2	scale	5:1
tolerance std	ASME Y14.5	eng	Terry Luo	2018/04/25	chr	Stone Li	ecn no	ELX-DG-29824-1	rel level	Released
surface	-	appr	Heaven Cen	2018/04/27	product family	AIRMAX VS	cat. no.	10115033	rev	C
ASME Y14.5	TOLERANCES UNLESS OTHERWISE SPECIFIED	Amphenol FCI	AIRMAX VS2 VERTICAL HEADER		PRESS-FIT, 150 POS, 20.0 mm		Product - Customer Drw		sheet 1 of 4	

Amphenol FCI

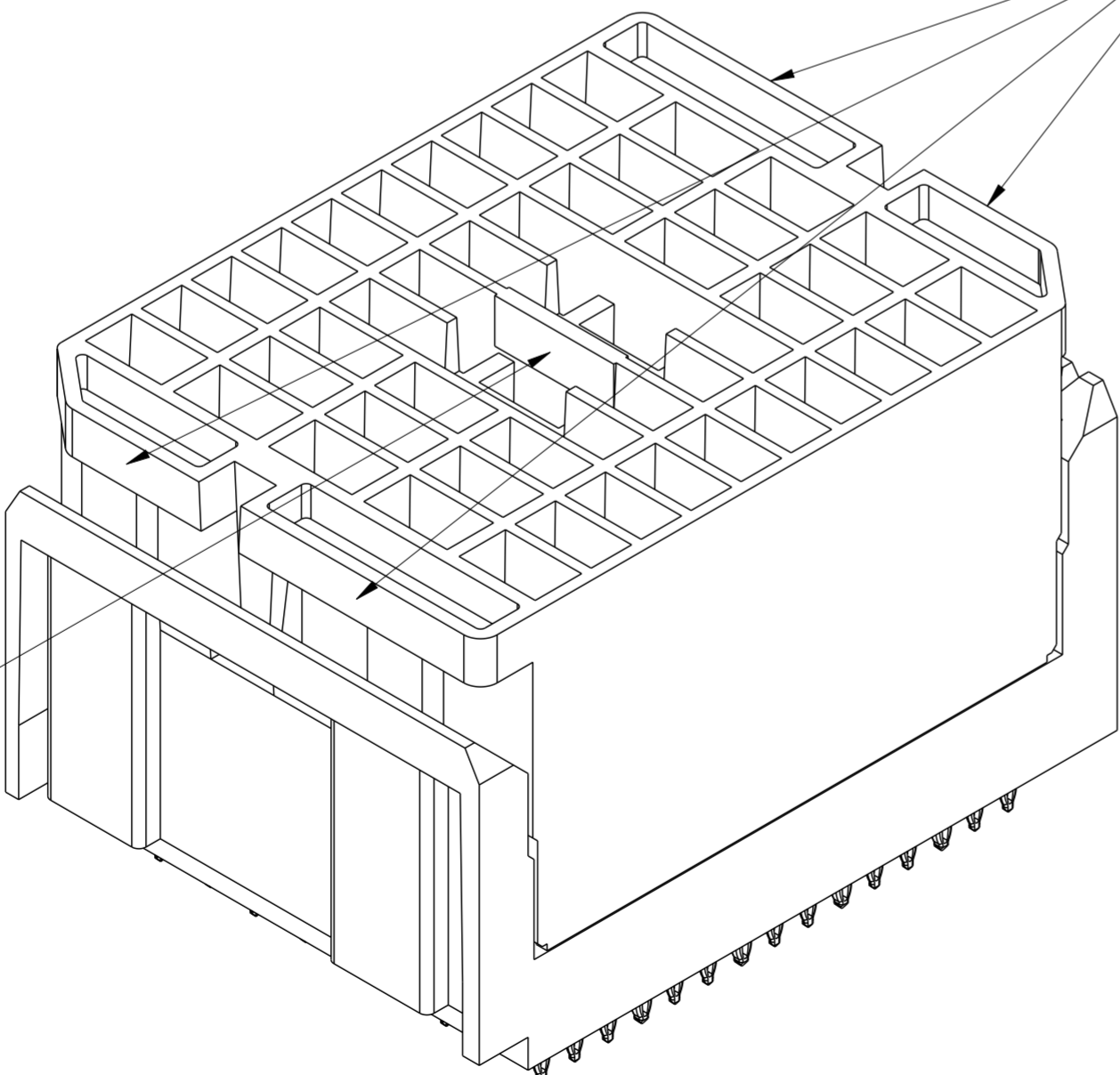
© 2016 AFCI

(26.60)  
PROTECTIVE CAP WIDTH



VIEWS SHOWN WITH  
PROTECTIVE COVER INSTALLED

NOTE 11

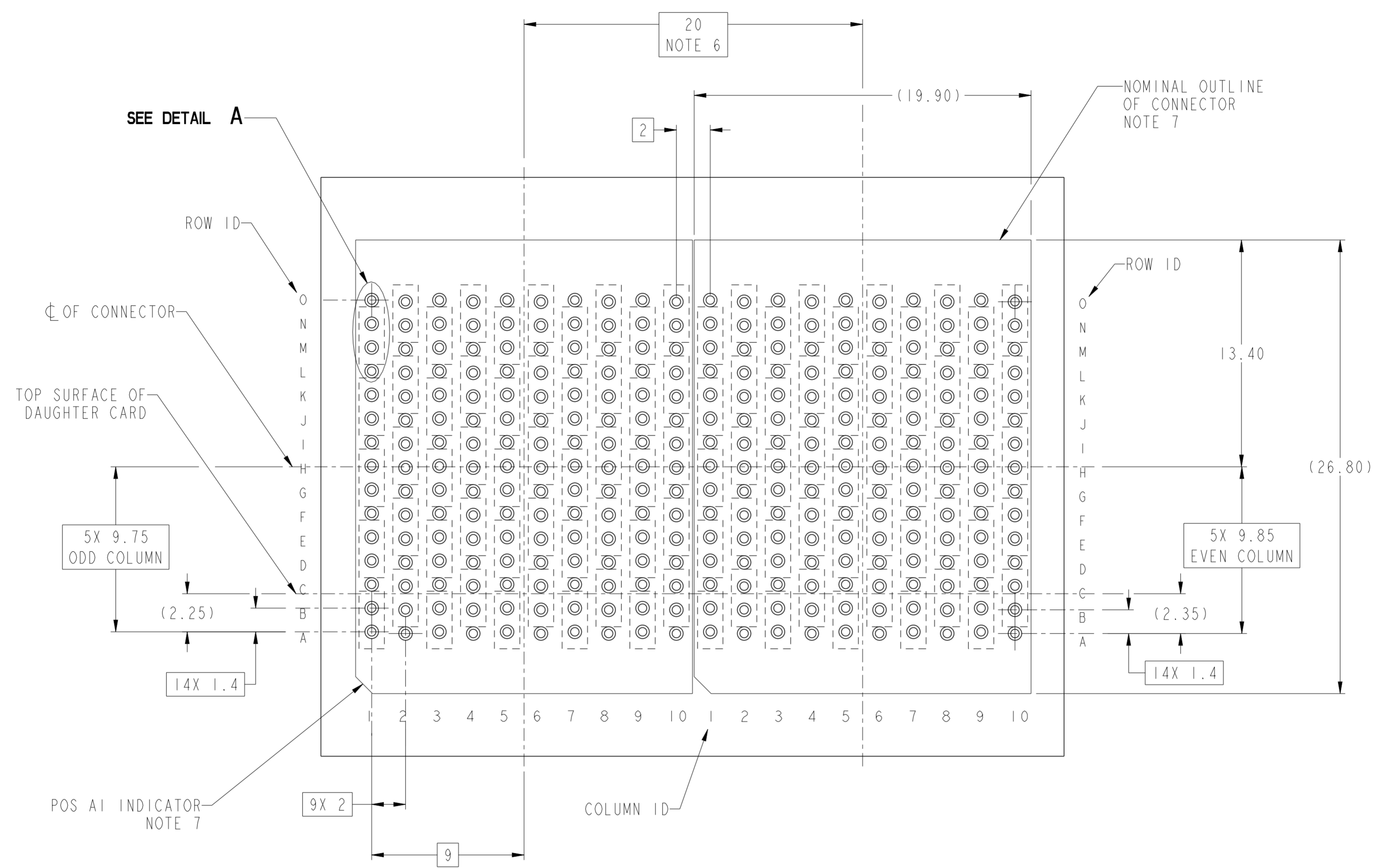


NOTE 12

spec ref	-	dr	Mark R Gray	2010/06/28	projection	MM	size	A2	scale	5:1	
tolerance std	ASME Y14.5	eng	Terry Luo	2018/04/25			ecn no	ELX-DG-29824-1			
		chr	Stone Li	-			rel level	Released			
		appr	Heaven Cen	2018/04/27			product family	AIRMAX VS			
surface	-	linear	0.X	±0.3		<b>AIRMAX VS2 VERTICAL HEADER</b> PRESS-FIT, 150 POS, 20.0 mm	cat. no.	-		Product - Customer Drw	
			0.XX	±0.10			divg no	10115033		rev	C
		angular	0°	±2°			sheet 2 of 4				

Amphenol  
FCI

© 2016 APCI



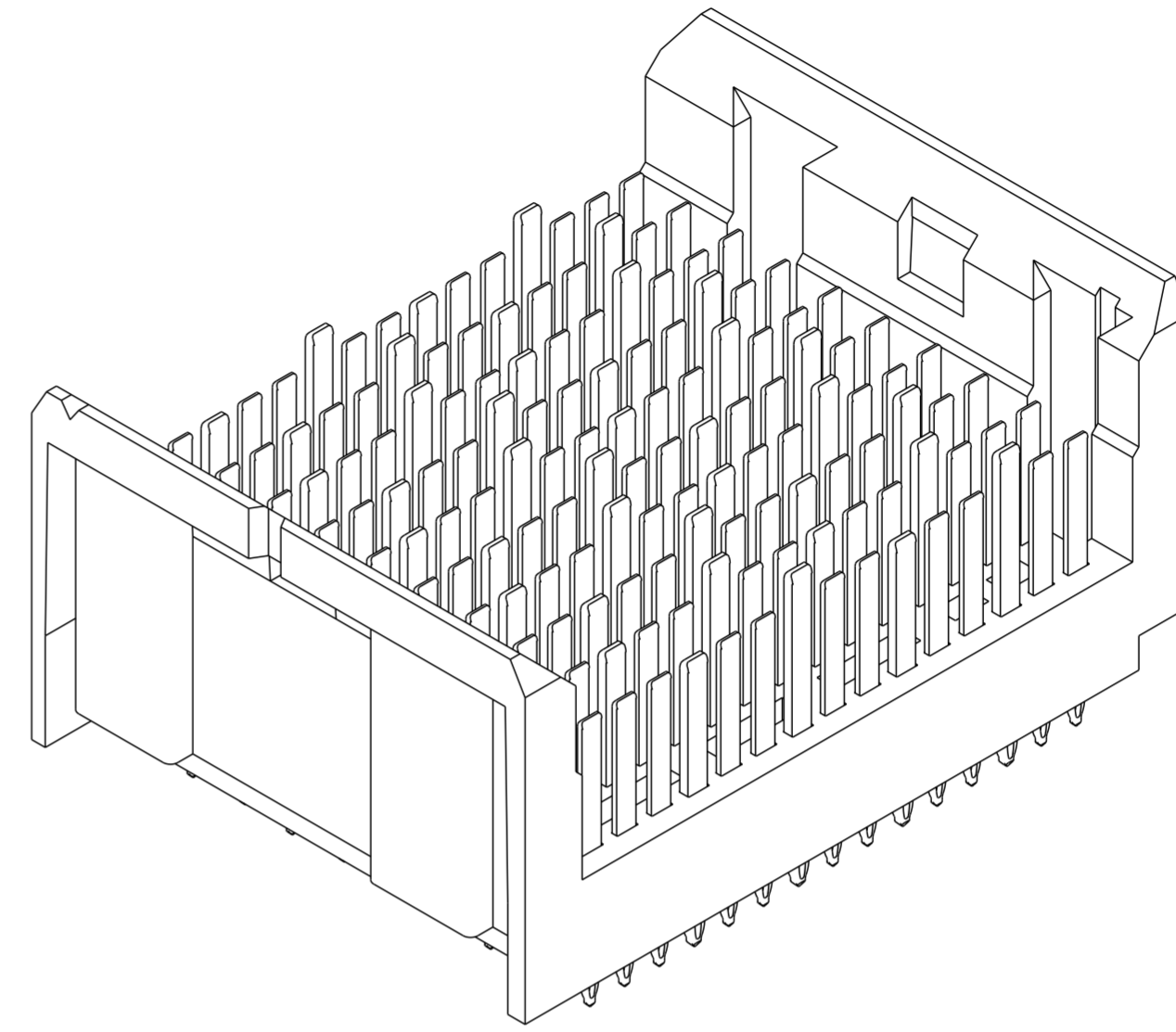
RECOMMENDED PCB LAYOUT  
FOR DIFFERENTIAL APPLICATIONS,  
COMPONENT SIDE  
(TWO ADJACENT FOOTPRINTS SHOWN)  
NOTES 6, AND 8

Amphenol  
FCi

© 2016 AFci

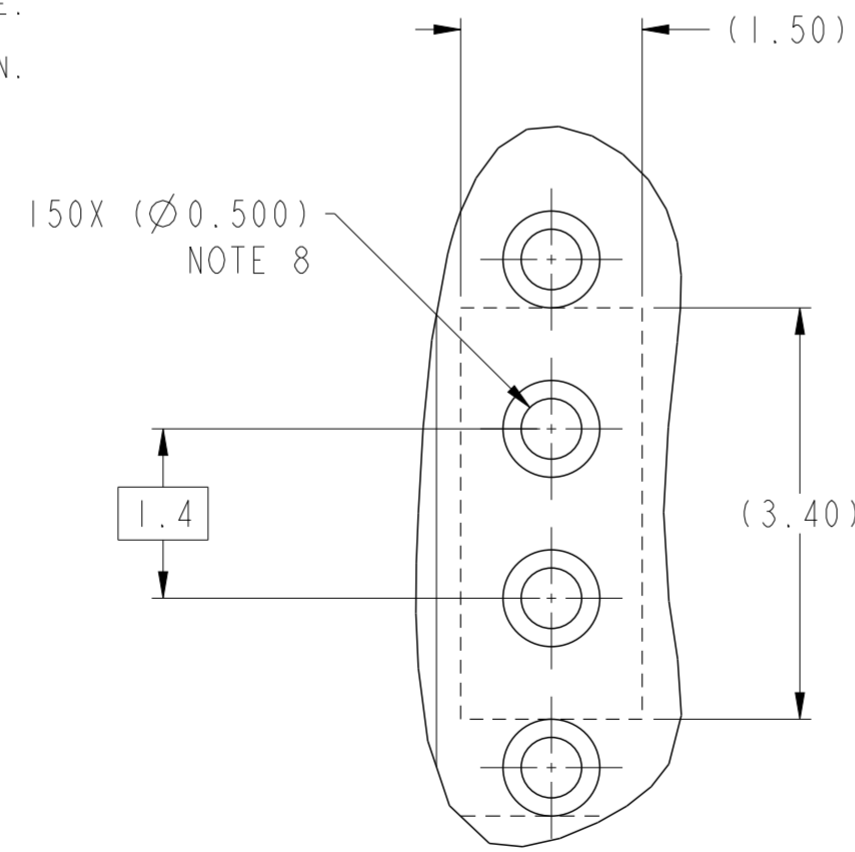
spec ref	-	dr	Mark R Gray	2010/06/28	projection	MM	size	A2	scale	3:1	
tolerance std	ASME Y14.5	eng	Terry Luo	2018/04/25			ecn no	ELX-DG-29824-1			
TOLERANCES UNLESS OTHERWISE SPECIFIED		chr	Stone Li	-			rel level	Released			
surface	-	appr	Heaven Cen	2018/04/27			product family	AIRMAX VS			
linear	0.X ±0.3 0.XX ±0.10 0.XXX ±0.050	Amphenol FCi		title	AIRMAX VS2 VERTICAL HEADER			div no	10115033		
angular	0° ±2°	cat. no.		Product - Customer Drw			rev	C			

PART NUMBER	PRESS-FIT TAIL PLATING TYPE	PROTECTIVE COVER	FIRST MATE PIN LOCATIONS (5.6mm)	SHORT DETECTION PIN OPTION	
				LOCATION	QUANTITY
10115033-101LF	TIN OVER NICKEL (LEAD FREE)	YES	F1, F3, F5, F7, F9, G2, G4, G6, G8, G10, L1, L3, L5, L7, L9, M2, M4, M6, M8, M10	N/A	N/A
10115033-111LF	TIN OVER NICKEL (LEAD FREE)	YES	F1, F3, F5, F7, F9, G2, G4, G6, G8, G10, L1, L3, L5, L7, L9, M2, M4, M6, M8, M10	H5	1



10115033-101LF

- NOTES:
- CONNECTOR MATERIALS:  
HOUSING: HIGH TEMP THERMOPLASTIC, BLACK, UL94V-0  
CONTACT: COPPER ALLOY
  - CONTACT PLATING:  
SEPARABLE INTERFACE: PERFORMANCE-BASED PLATING, QUALIFIED TO MEET THE REQUIREMENTS OF FCI PRODUCT SPECIFICATION GS-12-239 INCLUDING TELCORDIA GR-1217-CORE (NOVEMBER 1995) CENTRAL OFFICE TEST SEQUENCE  
PRESS-FIT TAILS: SEE TABLE
  - PRODUCT SPECIFICATION: GS-12-239.
  - APPLICATION SPECIFICATION: GS-20-035.
  - PRODUCT MARKING, (PROTOTYPE, PART NUMBER & LOT CODE), ON THIS SURFACE.
  - THE MINIMUM CENTERLINE SPACING BETWEEN ADJACENT MODULES IS 20.0 mm.
  - CONNECTOR OUTLINE WITH HOUSING POS AI INDICATOR MAY BE SCREEN PRINTED ONTO CUSTOMER PCB TO BE USED AS A GUIDE FOR MANUAL CONNECTOR PLACEMENT.
  - REFER TO CUSTOMER DRAWING 10045979 FOR INFORMATION ON PCB HOLE DIAMETERS AND PLATING OPTIONS.
  - THIS PRODUCT MEETS EUROPEAN UNION DIRECTIVES AND OTHER COUNTRY REGULATIONS AS DESCRIBED IN GS-22-008.
  - PACKAGING MEETS GS-14-920 LEAD FREE LABELING SPECIFICATION.
  - FOR REMOVAL OF THE PROTECTIVE CAP BY HAND GRIP USING THESE SURFACES.
  - FOR REMOVAL OF THE PROTECTIVE CAP WITH PLIERS GRIP USING THIS FEATURE.
  - SHORT DETECTION PIN IS 0.50mm LESS WIPE NOMINAL THAN THE SHORTEST PIN.



DETAIL A  
SCALE 16:1

spec ref	-	dr	Mark R Gray	2010/06/28	projection	MM	size	A2	scale	5:1
tolerance std	ASME Y14.5	eng	Terry Luo	2018/04/25			ecn no	ELX-DG-29824-1		
TOLERANCES UNLESS OTHERWISE SPECIFIED		chr	Stone Li	-			rel level	Released		
surface	-	appr	Heaven Cen	2018/04/27	product family	AIRMAX VS	cat. no.	10115033	rev	C
ASME Y14.5	linear	0.X	±0.3		title		AIRMAX VS2 VERTICAL HEADER			
		0.XX	±0.10		PRESS-FIT, 150 POS, 20.0 mm					
	angular	0.XXX	±0.050							
		0°	±2°	Product - Customer Drw		sheet 4 of 4				