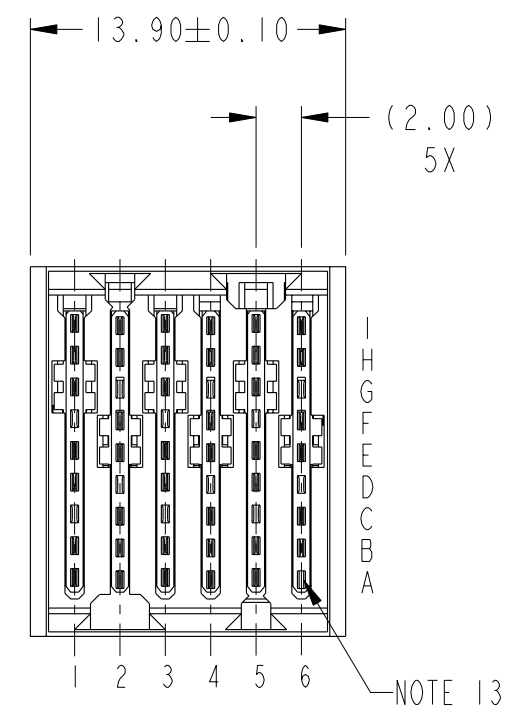
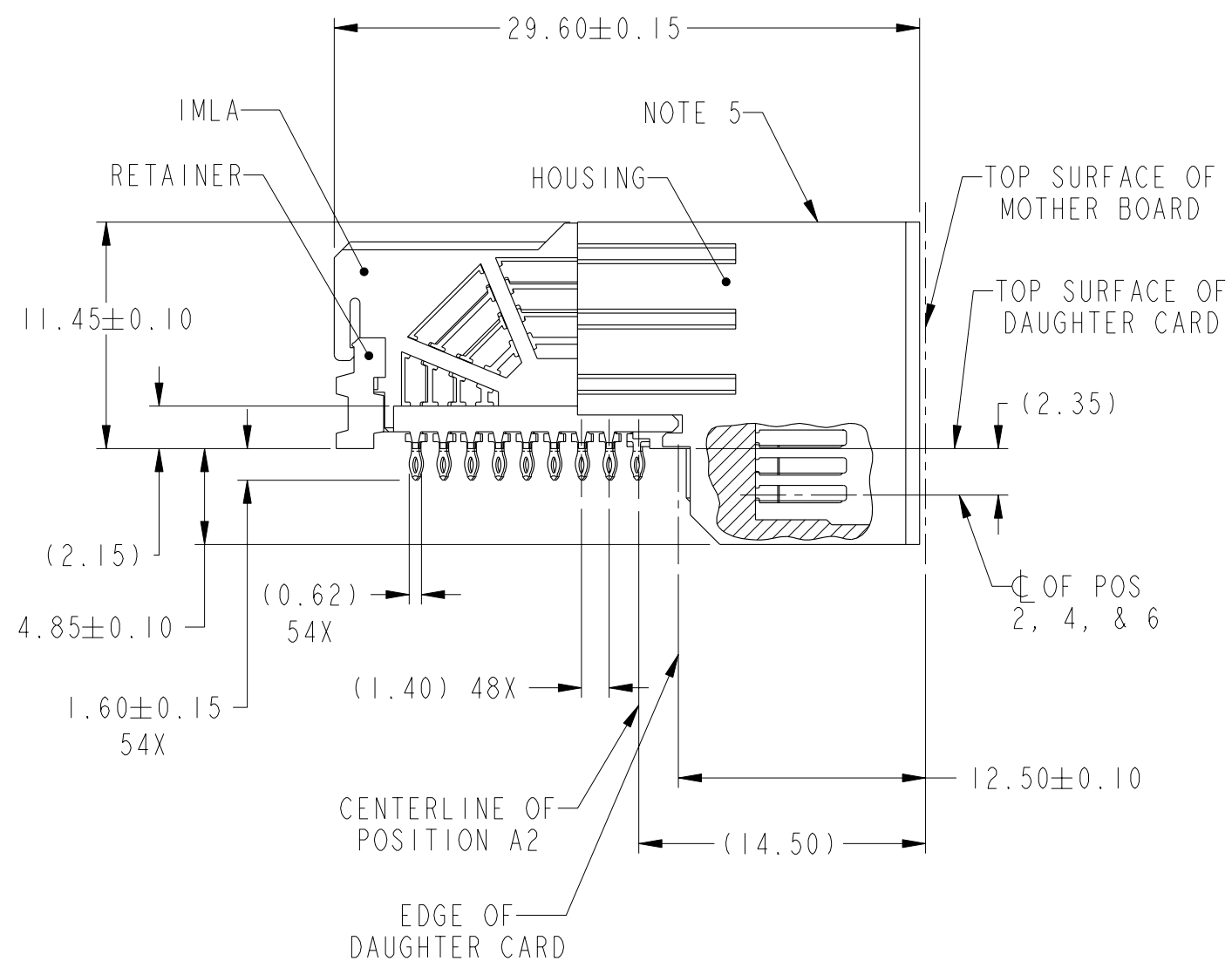


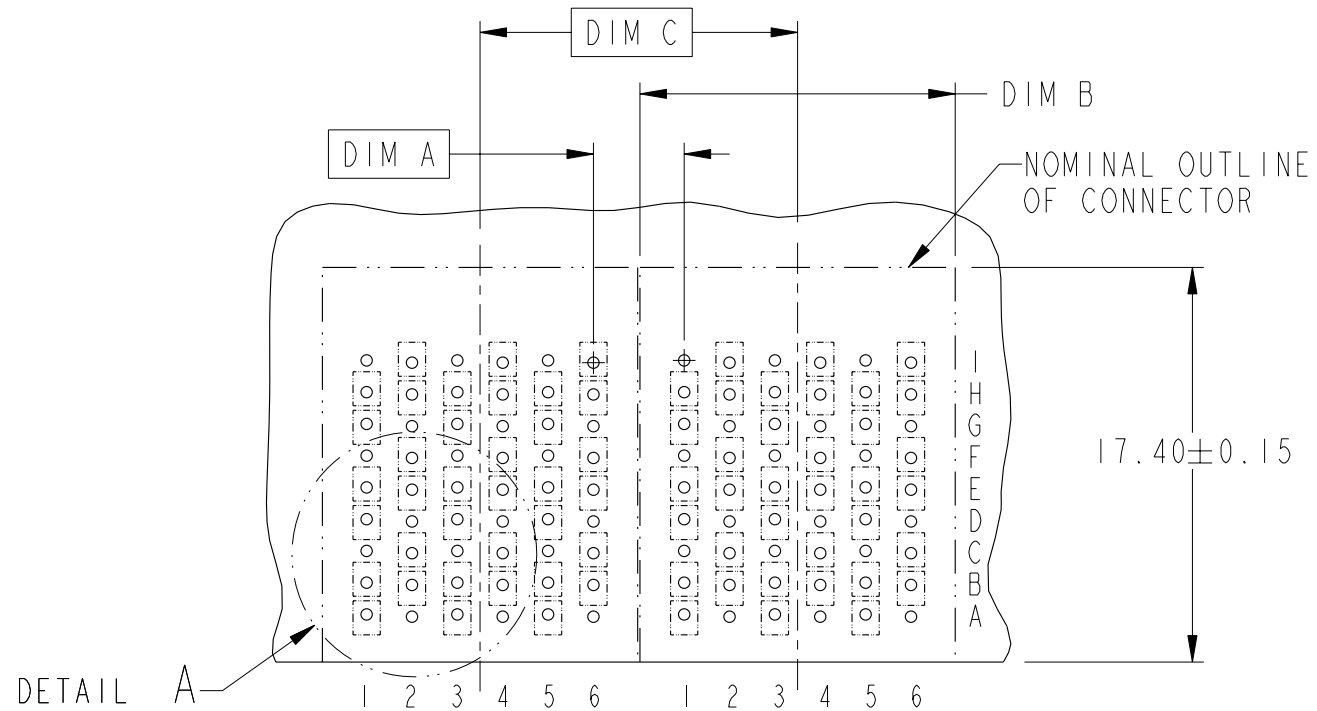
PRODUCT NUMBER
SEE TABLE, SHEET 5



Copyright FCI.

spec ref	dr	Y. K. LIM	2010-07-09	projection	MM	size	A3	scale	3:1
tolerance std	eng	Y. K. LIM	2010-07-09			ecn no	ECN-S-001964-1	rel level	Released
ASME Y14.5	chr	Y. K. LIM	2010-11-15						
	appr	JOEY NG	2010-11-15	product family	AirMax VS				
surface		linear	0.X	±0.3		title AirMax VS R/A HEADER ASSY PRESS-FIT, 54 POS, 14MM, W/ SHORT-DETECT PINS	dwg no 10115196	rev B	ASME Y14.5
			0.XX	±0.10					
			0.XXX	±0.050					
	angular		0°	±2°	www.fci.com	cat. no.	-	Product - Customer Drw	sheet 1 of 5

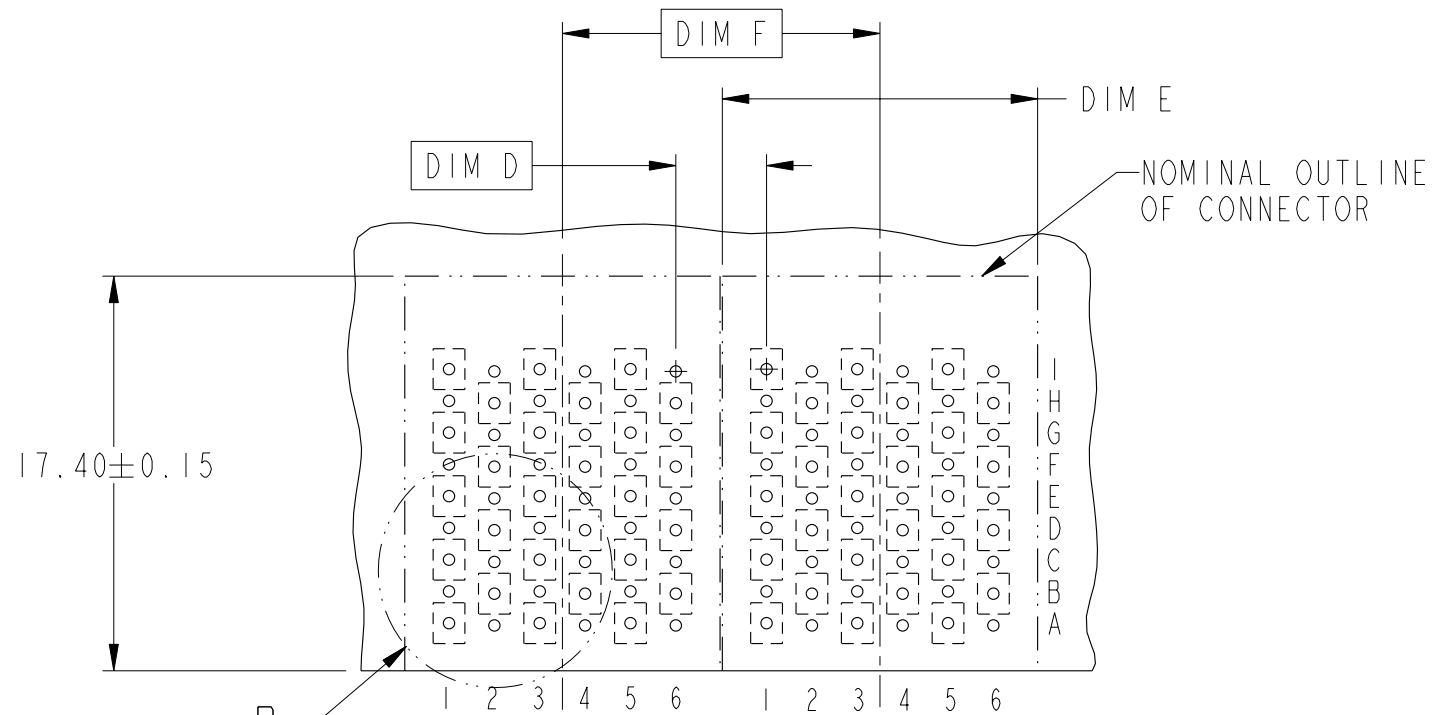
DESCRIPTION	DIM A	DIM B	DIM C
2-14MM MODULES PLACED END-TO-END	4.00	13.90 2X	14.00
1-12MM MODULE & 1-14MM MODULE PLACED END-TO-END	3.00	11.90 1X & 13.90 1X	13.00



RECOMMENDED PCB LAYOUT
FOR DIFFERENTIAL APPLICATIONS
COMPONENT SIDE
(TWO ADJACENT FOOTPRINTS SHOWN)
NOTES 6 & 7

spec ref	dr	Y. K. LIM	2010-07-09	projection	MM	size	A3	scale	2:1
tolerance std	eng	Y. K. LIM	2010-07-09			ecn no	ECN-S-001964-1	rel level	Released
ASME Y14.5	chr	Y. K. LIM	2010-11-15						
	appr	JOEY NG	2010-11-15	product family	AirMax VS				
surface 3.2		linear	0.X	±0.3		title AirMax VS R/A HEADER ASSY PRESS-FIT, 54 POS, 14MM, W/ SHORT-DETECT PINS	dwg no 10115196	rev B	cat. no. -
			0.XX	±0.10					
ASME Y14.5		angular	0°	±2°					
www.fci.com					Product - Customer Drw		sheet 2 of 5		

DESCRIPTION	DIM D	DIM E	DIM F
2-14MM MODULES PLACED END-TO-END	4.00	13.90 2X	14.00
1-12MM MODULE & 1-14MM MODULE PLACED END-TO-END	3.00	11.90 1X & 13.90 1X	13.00



RECOMMENDED PCB LAYOUT
FOR SINGLE ENDED APPLICATIONS
COMPONENT SIDE
(TWO ADJACENT FOOTPRINTS SHOWN)
NOTES 6 & 7

spec ref		dr	Y. K. LIM	2010-07-09	projection	MM	size	A3	scale	2:1	
tolerance std		eng	Y. K. LIM	2010-07-09			ecn no		ECN-S-001964-1		
ASME Y14.5		chr	Y. K. LIM	2010-11-15			rel level		Released		
-		appr	JOEY NG	2010-11-15	product family		AirMax VS				
surface	3.2	linear	0.X	±0.3		title AirMax VS R/A HEADER ASSY PRESS-FIT, 54 POS, 14MM, W/ SHORT-DETECT PINS		dwg no 10115196		rev B	
			0.XX	±0.10							
			0.XXX	±0.050							
ASME Y14.5		angular	0°	±2°	www.fci.com	cat. no.		-		Product - Customer Drw	sheet 3 of 5



Copyright FCI.

A

B

C

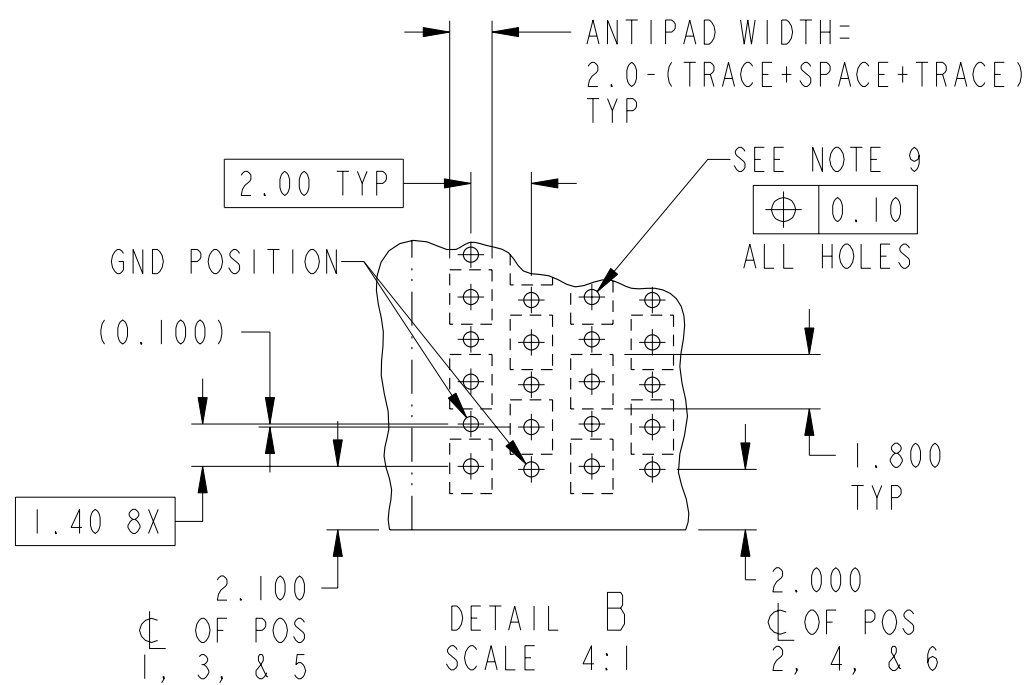
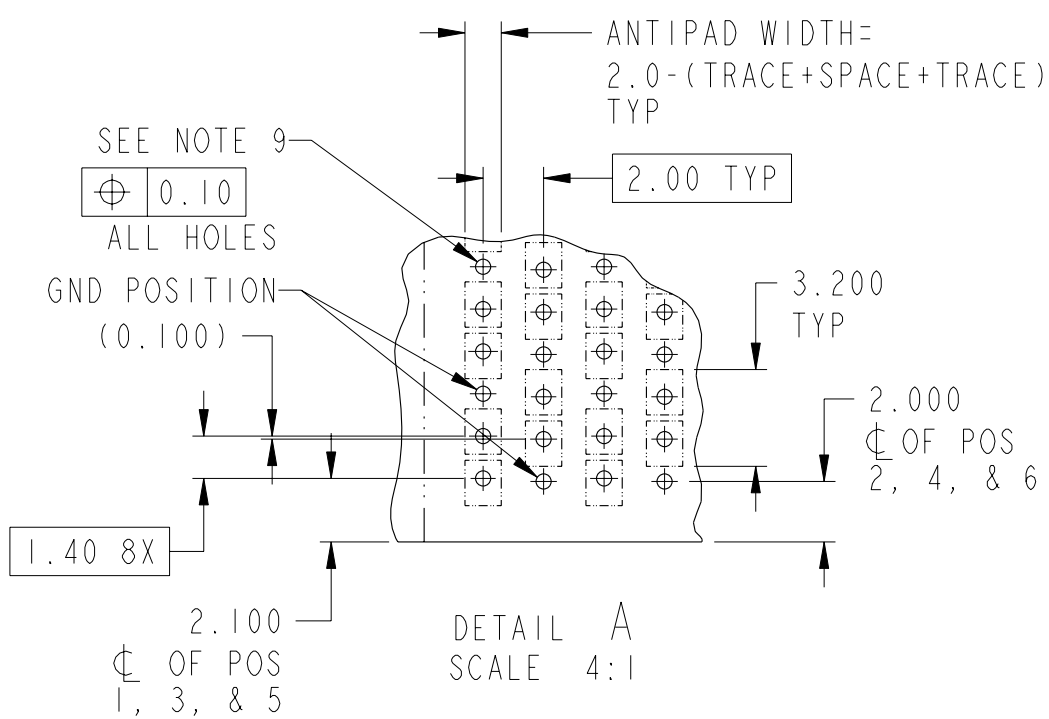
D

A

B

C

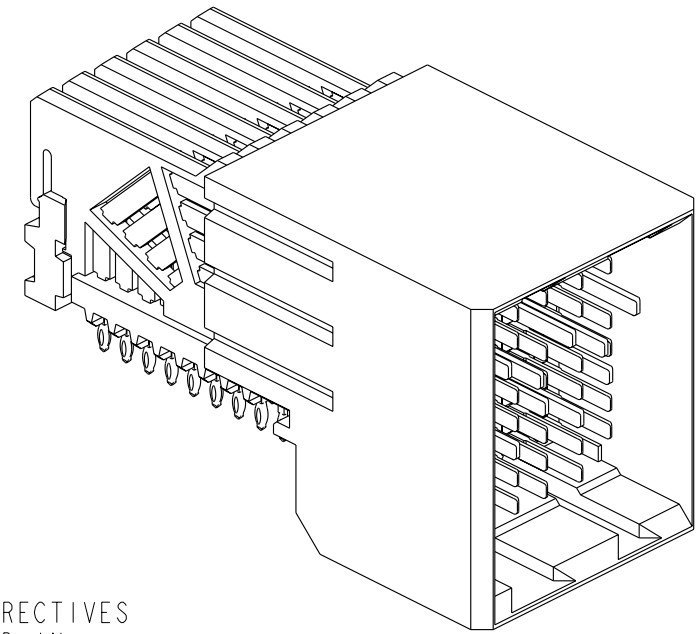
D



Copyright FCI.

spec ref		dr	Y. K. LIM	2010-07-09	projection	MM	size	A3	scale	2:1	
tolerance std		eng	Y. K. LIM	2010-07-09			ecn no	ECN-S-001964-1			
ASME Y14.5		TOLERANCES UNLESS OTHERWISE SPECIFIED			chr	Y. K. LIM	2010-11-15	product family	AirMax VS		
		appr	JOEY NG	2010-11-15			rel level	Released			
surface	3.2	linear	0.X	±0.3	www.fci.com	title	AirMax VS R/A HEADER ASSY		dwg no	10115196	rev
			0.XX	±0.10			PRESS-FIT, 54 POS, 14MM, W/ SHORT-DETECT PINS				
ASME Y14.5		angular	0°	±2°	cat. no.	-		Product - Customer Drw		sheet 4 of 5	

PART NUMBER	PRESS-FIT TAIL PLATING TYPE	SHORT DETECT CONTACT
10115196-100001LF	TIN OVER NICKEL (LEAD FREE)	A6



NOTES:

1. CONNECTOR MATERIALS:
HOUSING & RETAINER: HIGH TEMP THERMOPLASTIC, NATURAL, UL94V-0
IMLA PLASTIC: HIGH TEMP THERMOPLASTIC, BLACK, UL94V-0
CONTACT: COPPER ALLOY
2. CONTACT PLATING:
SEPARABLE INTERFACE:
PERFORMANCE-BASED PLATING, QUALIFIED TO MEET THE REQUIREMENTS OF FCI PRODUCT SPECIFICATION GS-12-239 INCLUDING TELCORDIA GR-1217-CORE (NOVEMBER 1995) CENTRAL OFFICE TEST SEQUENCE

PRESS-FIT TAILS: SEE TABLE
3. PRODUCT SPECIFICATION: GS-12-239
4. APPLICATION SPECIFICATION: GS-20-035
5. PRODUCT MARKING, (PART NUMBER, LOT CODE & "POS A6 SD"), ON THIS SURFACE
6. REFER TO CUSTOMER DRAWING 10035911 FOR INFORMATION REGARDING PCB LAYOUT OF POWER AND GUIDE MODULES RELATIVE TO SIGNAL MODULES
7. POSITIONS F OF ODD NUMBERED COLUMNS AND POSITIONS G OF EVEN NUMBERED COLUMNS CORRESPOND TO EARLY MATE HEADER PINS
8. THERE IS NO GROUND BUSSING WITHIN THE CONNECTOR SYSTEM
9. REFER TO CUSTOMER DRAWING 10045979 FOR INFORMATION ON PCB HOLE DIAMETERS AND PLATING OPTIONS.

10. LEAD FREE PRODUCT MEETS EUROPEAN UNION DIRECTIVES AND OTHER COUNTRY REGULATIONS AS DESCRIBED IN GS-22-008.
11. THE HOUSING WILL WITHSTAND EXPOSURE TO 260°C PEAK TEMPERATURE FOR 40 SECONDS IN A CONVECTION, INFRA-RED OR VAPOR PHASE REFLOW OVEN.
12. PACKAGING MEETS GS-14-920 LEAD FREE LABELING SPECIFICATION.
13. MATING PIN A6 HAS 0.5mm LESS NOMINAL WIPE THAN THE SHORTEST SIGNAL PIN.
14. A SYMBOL WILL BE NEXT TO ANY DIMENSION, VIEW, OR NOTE WHICH HAS BEEN MODIFIED WITH THE CURRENT DRAWING REVISION.



Copyright FCI.

spec ref		dr	Y. K. LIM	2010-07-09	projection	MM	size	A3	scale	3:1
tolerance std		eng	Y. K. LIM	2010-07-09					ecn no	
ASME Y14.5		TOLERANCES UNLESS OTHERWISE SPECIFIED			chr	Y. K. LIM			2010-11-15	product family
-		appr	JOEY NG	2010-11-15	rel level		Released			
surface	3.2	linear	0.X	±0.3		title AirMax VS R/A HEADER ASSY PRESS-FIT, 54 POS, 14MM, W/ SHORT-DETECT PINS	dwg no 10115196	rev		B
			0.XX	±0.10				cat. no.		-
ASME Y14.5	angular	0°	±2°	www.fci.com				PDS: Rev :B		STATUS:Released