

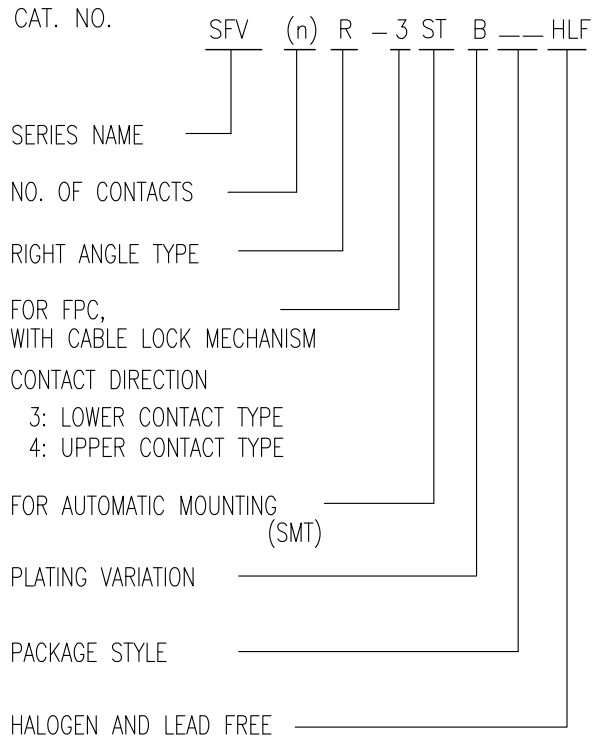
List of "SFV__R-3/4STBE1HLF" customer document

DOCUMENT NO.	LIST
10116954(Sheet1)	DOCUMENT LIST
10116954(Sheet2)	CAT.NO.TABLE FOR 0.5mm CONTACT SPACING CONNECTOR (SFV__R-3/4STB_HLF)
10116954(Sheet3)	CONNECTOR USED FOR FPC WITH 0.5mm CONTACT SPACING (SFV__R-3STB_HLF)
10116954(Sheet4)	CONNECTOR USED FOR FPC WITH 0.5mm CONTACT SPACING (SFV__R-4STB_HLF)
10116954(Sheet5)	CAT.NO.TABLE FOR PLASTIC TAPE PACKAGED 0.5mm CONTACT SPACING CONNECTOR (SFV__R-3/4STBE1HLF)
10116954(Sheet6)	PLASTIC TAPE PACKAGED 0.5mm CONTACT SPACING CONNECTOR (SFV__R-3STBE1HLF)
10116954(Sheet7)	PLASTIC TAPE PACKAGED 0.5mm CONTACT SPACING CONNECTOR (SFV__R-4STBE1HLF)
10116954(Sheet8)	RECOMMENDED CABLE (FPC) (SFV__R-3/4STB_HLF)
GS-12-0783	SPEC.
BJM-SFV102	HANDLING PROCEDURES

mat'l. code				surface ISO 1302 <input checked="" type="checkbox"/>		tolerance ISO 406 ISO 1101		projection		product family 58EF			
ltr	ecn no	dr	date	tolerances unless otherwise specified						title			
A	J11-0011	S.W	2011-1-14	angles	linear					0.5mm SPACING FPC CONNECTOR DOCUMENT LIST			
B	ELX-J-32839	S.W	2019-3-6							(Cat. No. : SFV__R-3/4STBE1HLF)			
		dr	S.WATANABE		2019-3-6				dwg no		sheet 1 of 8		size
		enr	S.WATANABE		2019-3-6				10116954				A4
		chr	S-H.THIO		2019-3-7								
		appd	Y.KAMEDA		2019-3-7								
sheet index	revision sheet	B	B	B	B	B	B	B	B	type Product Customer Drawing			
		1	2	3	4	5	6	7	8				

CAT. NO. & DIMENSIONS

NO. OF CONTACTS (n)	CAT. NO.	DIMENSIONS (NOTE2)			
		A ± 0.2	B ± 0.2	C ± 0.1	D ± 0.1
4	SFV 4R-3/4STB__HLF	7.5	5.9	1.5	1.6
5	SFV 5R-3/4STB__HLF	8.0	6.4	2.0	2.1
6	SFV 6R-3/4STB__HLF	8.5	6.9	2.5	2.6
7	SFV 7R-3/4STB__HLF	9.0	7.4	3.0	3.1
8	SFV 8R-3/4STB__HLF	9.5	7.9	3.5	3.6
9	SFV 9R-3/4STB__HLF	10.0	8.4	4.0	4.1
10	SFV10R-3/4STB__HLF	10.5	8.9	4.5	4.6
11	SFV11R-3/4STB__HLF	11.0	9.4	5.0	5.1
12	SFV12R-3/4STB__HLF	11.5	9.9	5.5	5.6
13	SFV13R-3/4STB__HLF	12.0	10.4	6.0	6.1
14	SFV14R-3/4STB__HLF	12.5	10.9	6.5	6.6
15	SFV15R-3/4STB__HLF	13.0	11.4	7.0	7.1
16	SFV16R-3/4STB__HLF	13.5	11.9	7.5	7.6
17	SFV17R-3/4STB__HLF	14.0	12.4	8.0	8.1
18	SFV18R-3/4STB__HLF	14.5	12.9	8.5	8.6
19	SFV19R-3/4STB__HLF	15.0	13.4	9.0	9.1
20	SFV20R-3/4STB__HLF	15.5	13.9	9.5	9.6
21	SFV21R-3/4STB__HLF	16.0	14.4	10.0	10.1
22	SFV22R-3/4STB__HLF	16.5	14.9	10.5	10.6
23	SFV23R-3/4STB__HLF	17.0	15.4	11.0	11.1
24	SFV24R-3/4STB__HLF	17.5	15.9	11.5	11.6
25	SFV25R-3/4STB__HLF	18.0	16.4	12.0	12.1
26	SFV26R-3/4STB__HLF	18.5	16.9	12.5	12.6
27	SFV27R-3/4STB__HLF	19.0	17.4	13.0	13.1
28	SFV28R-3/4STB__HLF	19.5	17.9	13.5	13.6
29	SFV29R-3/4STB__HLF	20.0	18.4	14.0	14.1
30	SFV30R-3/4STB__HLF	20.5	18.9	14.5	14.6
31	SFV31R-3/4STB__HLF	21.0	19.4	15.0	15.1
32	SFV32R-3/4STB__HLF	21.5	19.9	15.5	15.6
33	SFV33R-3/4STB__HLF	22.0	20.4	16.0	16.1
34	SFV34R-3/4STB__HLF	22.5	20.9	16.5	16.6
35	SFV35R-3/4STB__HLF	23.0	21.4	17.0	17.1



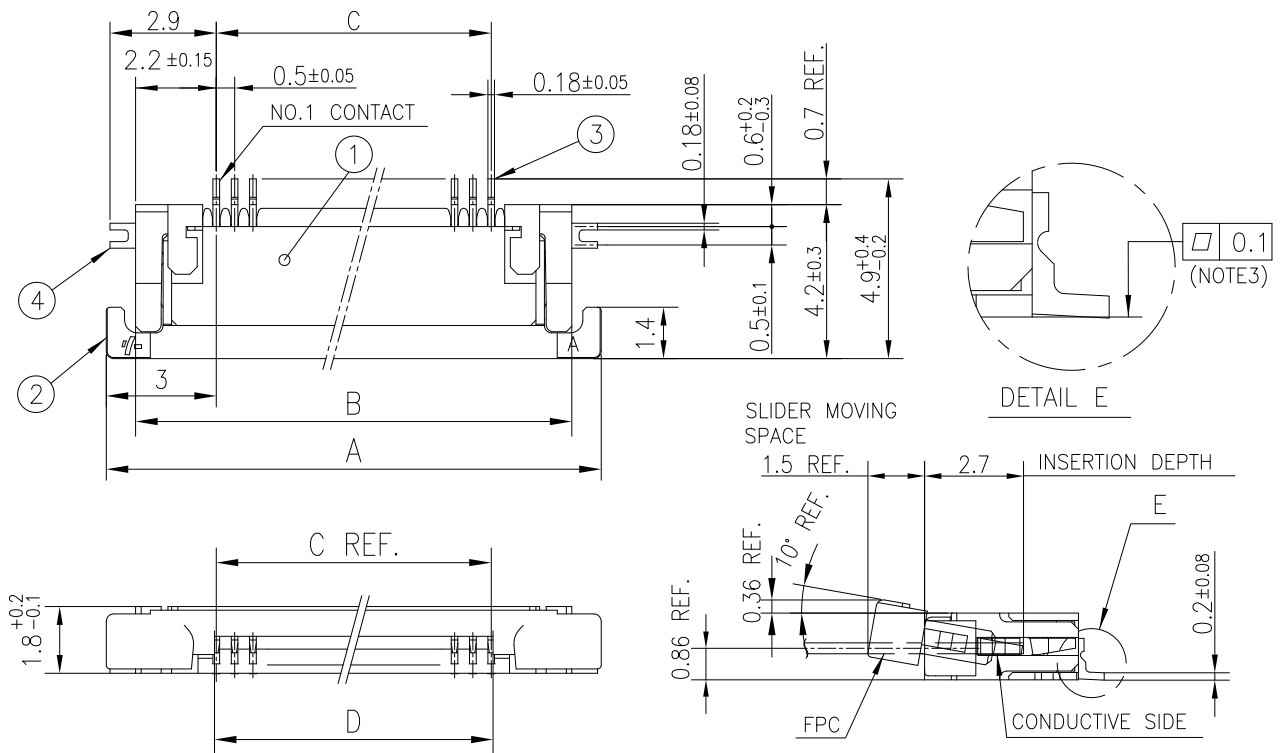
NOTES

1. THIS PRODUCT IS THE CONNECTOR USED FOR FPC AND COPES WITH AUTOMATIC MOUNTING (SMT).
2. SEE PART DRAWINGS FOR DIMENSIONS A~D.
3. THIS PRODUCT IS THE CONNECTOR WITH CABLE LOCK MECHANISM.

Amphenol FCI

© 2016 AFCl

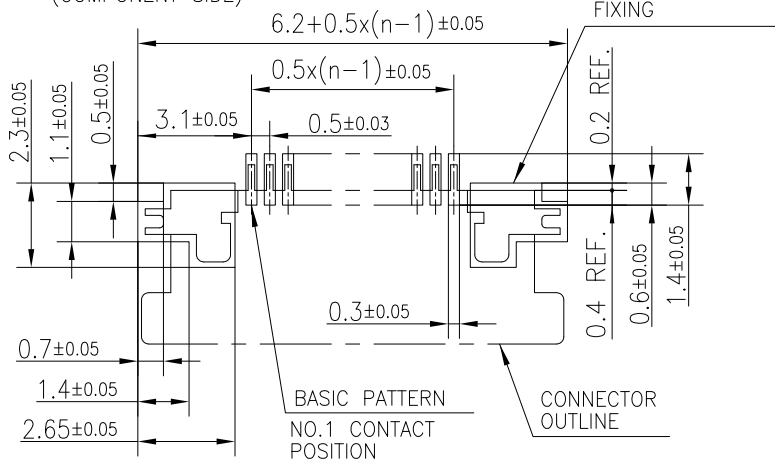
mat'l. code				surface ISO 1302 <input checked="" type="checkbox"/>		tolerance ISO 406 ISO 1101		projection		product family 58EF			
ltr		ecn no		dr		date		tolerances unless otherwise specified		title			
B								angles linear		CAT. NO. TABLE FOR 0.5 mm CONTACT SPACING CONNECTOR (Cat. No. : SFV__R-3/4STB__HLF)			
								MM		scale N/A			
								dr S.WATANABE 2019-3-6		dwg no sheet 2 of 8 size			
								enr S.WATANABE 2019-3-6		10116954 A4			
								chr S-H.THIO 2019-3-7		type Product Customer Drawing			
								appd Y.KAMEDA 2019-3-7					
sheet index		revision sheet											



PT. NO.	PARTS NAME	MATERIAL	Q'TY	NOTE
1	HOUSING	13~35pin : LCP RESIN GLASS REINFORCED (UL94V-0)	1	COLOR : BLACK (HALOGEN FREE)
		4~12pin : POLYAMIDE RESIN GLASS REINFORCED (UL94V-0)		
2	SLIDER	PPS RESIN GLASS REINFORCED (UL94V-0)	1	COLOR : GRAY (HALOGEN FREE)
3	CONTACT	PHOSPHOR BRONZE	n	PLATING : GOLD
4	MOUNTING PLATE		2	PLATING : MATTE TIN

n : NO. OF CONTACTS

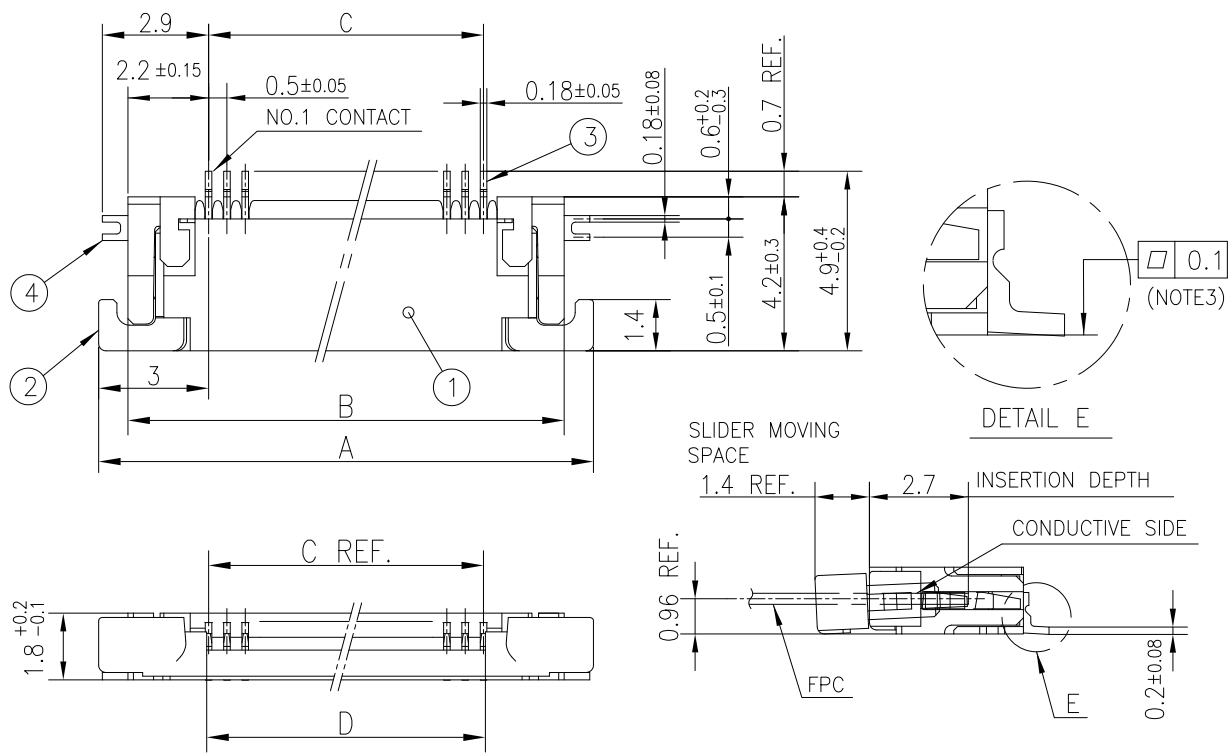
RECOMMENDED PC BOARD LAYOUT
(COMPONENT SIDE)



NOTES

- THIS PRODUCT IS THE CONNECTOR USED FOR FPC AND COPEs WITH AUTOMATIC MOUNTING (SMT).
- THIS PRODUCT IS LOWER CONTACT TYPE CONNECTOR WITH CABLE LOCK MECHANISM.
- FLATNESS OF CONTACT TERMINAL AND MOUNTING PLATE MUST BE WITHIN TOLERANCE IN E PORTION DETAILED DRAWING.
- THIS PRODUCT MEETS EUROPEAN UNION DIRECTIVES AND OTHER COUNTRY REGULATIONS AS DESCRIBED IN GS-22-008.
- THE HOUSING WILL WITHSTAND EXPOSURE TO 260°C PEAK TEMPERATURE FOR 10 SECONDS IN A REFLOW SOLDERING OVEN.

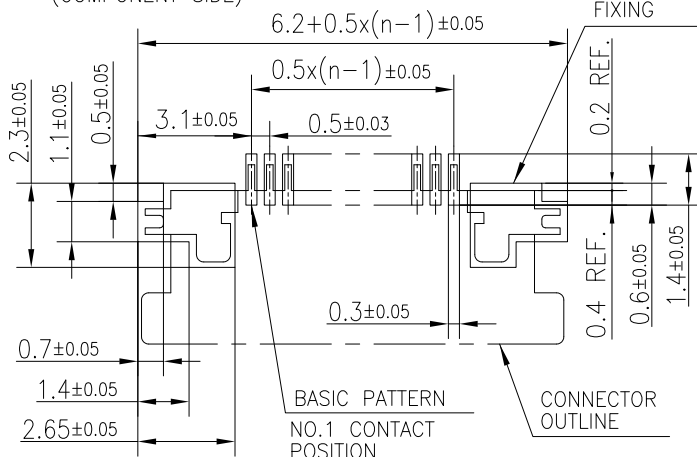
mat'l. code		surface ISO 1302		tolerance ISO 406 ISO 1101		projection		product family		58EF	
ltr	ecn no	dr	date	tolerances unless otherwise specified		MM		title			
B				angles	linear	scale N/A		CONNECTOR USED FOR FPC WITH 0.5 mm CONTACT SPACING (Cat. No. : SFV__R-3STB__HLF)			
		dr	S.WATANABE	2019-3-6		Amphenol FCI		dwg no		sheet 3 of 8 size	
		enr	S.WATANABE	2019-3-6	10116954			A4			
		chr	S-H.THIO	2019-3-7							
		appd	Y.KAMEDA	2019-3-7							
sheet index		revision sheet						type Product Customer Drawing			



PT. NO.	PARTS NAME	MATERIAL	Q'TY	NOTE
1	HOUSING	13~35pin : LCP RESIN GLASS REINFORCED (UL94V-0)	1	COLOR : BLACK (HALOGEN FREE)
		4~12pin : POLYAMIDE RESIN GLASS REINFORCED (UL94V-0)		
2	SLIDER	PPS RESIN GLASS REINFORCED (UL94V-0)	1	COLOR : GRAY (HALOGEN FREE)
3	CONTACT	PHOSPHOR BRONZE	n	PLATING : GOLD
4	MOUNTING PLATE		2	PLATING : MATTE TIN

n : NO. OF CONTACTS

RECOMMENDED PC BOARD LAYOUT
(COMPONENT SIDE)



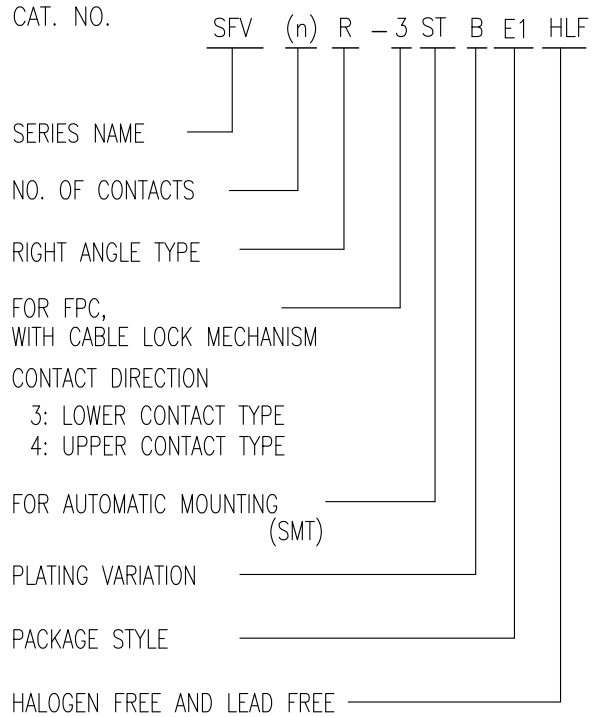
NOTES

- 1.THIS PRODUCT IS THE CONNECTOR USED FOR FPC AND COPS WITH AUTOMATIC MOUNTING (SMT).
- 2.THIS PRODUCT IS UPPER CONTACT TYPE CONNECTOR WITH CABLE LOCK MECHANISM.
- 3.FLATNESS OF CONTACT TERMINAL AND MOUNTING PLATE MUST BE WITHIN TOLERANCE IN E PORTION DETAILED DRAWING.
- 4.THIS PRODUCT MEETS EUROPEAN UNION DIRECTIVES AND OTHER COUNTRY REGULATIONS AS DESCRIBED IN GS-22-008.
- 5.THE HOUSING WILL WITHSTAND EXPOSURE TO 260°C PEAK TEMPERATURE FOR 10 SECONDS IN A REFLOW SOLDERING OVEN.

mat'l. code		surface ISO 1302		tolerance ISO 406 ISO 1101		projection		product family		58EF			
ltr	ecn no	dr	date	tolerances unless otherwise specified		MM		title					
B				angles	linear	scale N/A		CONNECTOR USED FOR FPC WITH 0.5 mm CONTACT SPACING (Cat. No. : SFV__R-4STB__HLF)					
		dr	S.WATANABE	2019-3-6		Amphenol FCI		dwg no		sheet 4 of 8			
		enr	S.WATANABE	2019-3-6				10116954		size		A4	
		chr	S-H.THIO	2019-3-7									
		appd	Y.KAMEDA	2019-3-7									
sheet index		revision sheet											

CAT. NO. & DIMENSIONS

NO. OF CONTACTS (n)	CAT. NO.	DIMENSIONS (NOTE3)		
		F ± 5	G ± 0.3	H ± 0.1
4	SFV 4R-3/4STBE1HLF	20.4	16	—
5	SFV 5R-3/4STBE1HLF	20.4	16	—
6	SFV 6R-3/4STBE1HLF	20.4	16	—
7	SFV 7R-3/4STBE1HLF	28.4	24	—
8	SFV 8R-3/4STBE1HLF	28.4	24	—
9	SFV 9R-3/4STBE1HLF	28.4	24	—
10	SFV10R-3/4STBE1HLF	28.4	24	—
11	SFV11R-3/4STBE1HLF	28.4	24	—
12	SFV12R-3/4STBE1HLF	28.4	24	—
13	SFV13R-3/4STBE1HLF	28.4	24	—
14	SFV14R-3/4STBE1HLF	28.4	24	—
15	SFV15R-3/4STBE1HLF	28.4	24	—
16	SFV16R-3/4STBE1HLF	28.4	24	—
17	SFV17R-3/4STBE1HLF	28.4	24	—
18	SFV18R-3/4STBE1HLF	28.4	24	—
19	SFV19R-3/4STBE1HLF	28.4	24	—
20	SFV20R-3/4STBE1HLF	28.4	24	—
21	SFV21R-3/4STBE1HLF	28.4	24	—
22	SFV22R-3/4STBE1HLF	28.4	24	—
23	SFV23R-3/4STBE1HLF	36.4	32	28.4
24	SFV24R-3/4STBE1HLF	36.4	32	28.4
25	SFV25R-3/4STBE1HLF	36.4	32	28.4
26	SFV26R-3/4STBE1HLF	36.4	32	28.4
27	SFV27R-3/4STBE1HLF	36.4	32	28.4
28	SFV28R-3/4STBE1HLF	36.4	32	28.4
29	SFV29R-3/4STBE1HLF	36.4	32	28.4
30	SFV30R-3/4STBE1HLF	36.4	32	28.4
31	SFV31R-3/4STBE1HLF	48.4	44	40.4
32	SFV32R-3/4STBE1HLF	48.4	44	40.4
33	SFV33R-3/4STBE1HLF	48.4	44	40.4
34	SFV34R-3/4STBE1HLF	48.4	44	40.4
35	SFV35R-3/4STBE1HLF	48.4	44	40.4



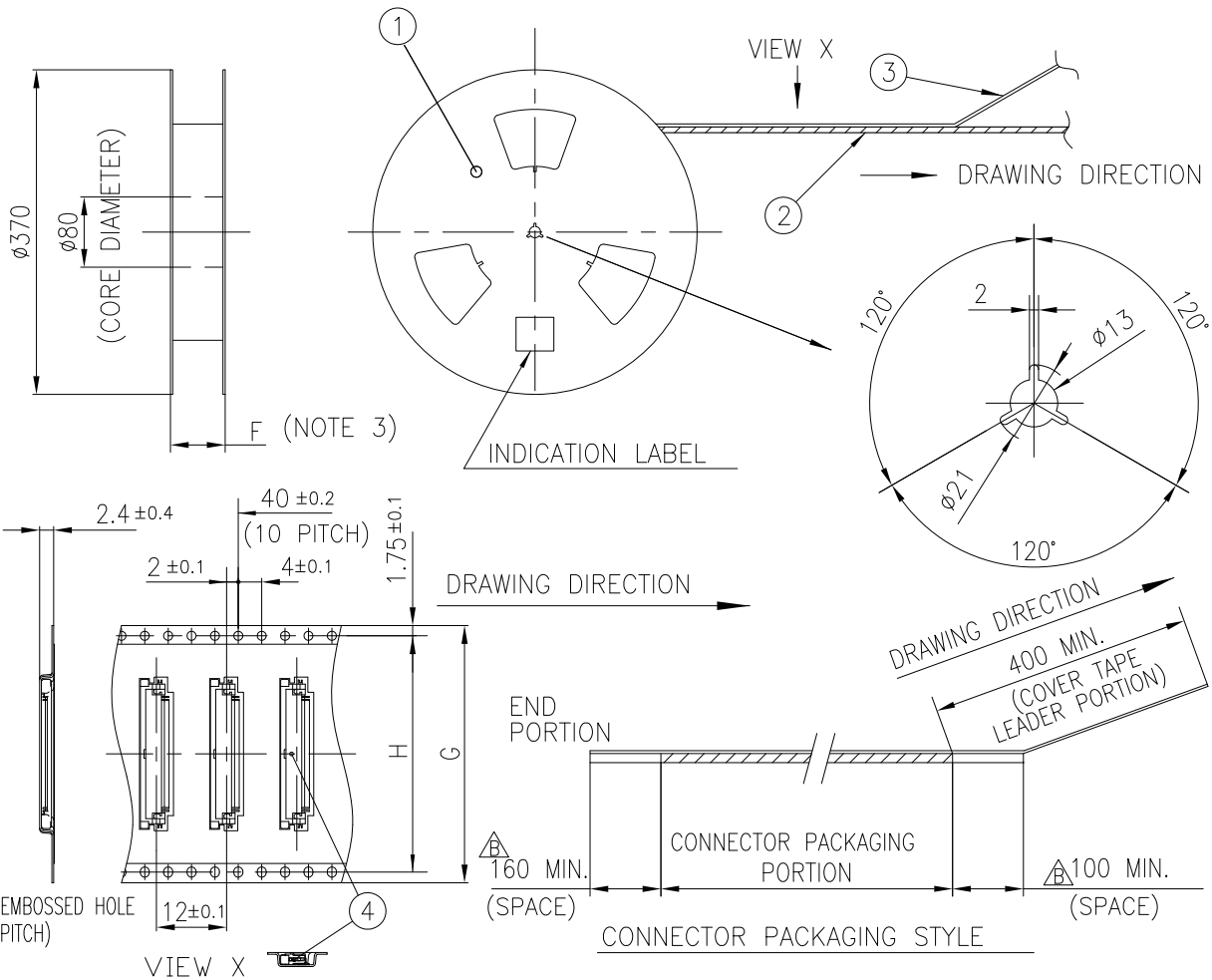
NOTES

1. THIS PRODUCT IS THE CONNECTOR USED FOR FPC AND COPES WITH AUTOMATIC MOUNTING (SMT).
2. THIS CATALOG NO. INDICATES PLASTIC TAPE PACKAGED
3. SEE PART DRAWINGS FOR DIMENSIONS F~H.
4. THIS PRODUCT IS THE CONNECTOR WITH CABLE LOCK MECHANISM.

Amphenol FCI

© 2016 AFCI

mat'l. code		surface ISO 1302 <input checked="" type="checkbox"/>		tolerance ISO 406 ISO 1101		projection		product family 58EF	
ltr	ecn no	dr	date			tolerances unless otherwise specified		title	
B						angles linear		CAT. NO. TABLE FOR PLASTIC TAPE PACKAGED 0.5 mm CONTACT SPACING CONNECTOR (Cat. No. : SFV__R-3/4STBE1HLF)	
			dr	S.WATANABE	2019-3-6	MM		dwg no sheet 5 of 8 size	
			enr	S.WATANABE	2019-3-6	← →		10116954 A4	
			chr	S-H.THIO	2019-3-7	scale N/A		Product Customer Drawing	
			appd	Y.KAMEDA	2019-3-7	Amphenol FCI			
sheet index	revision sheet								

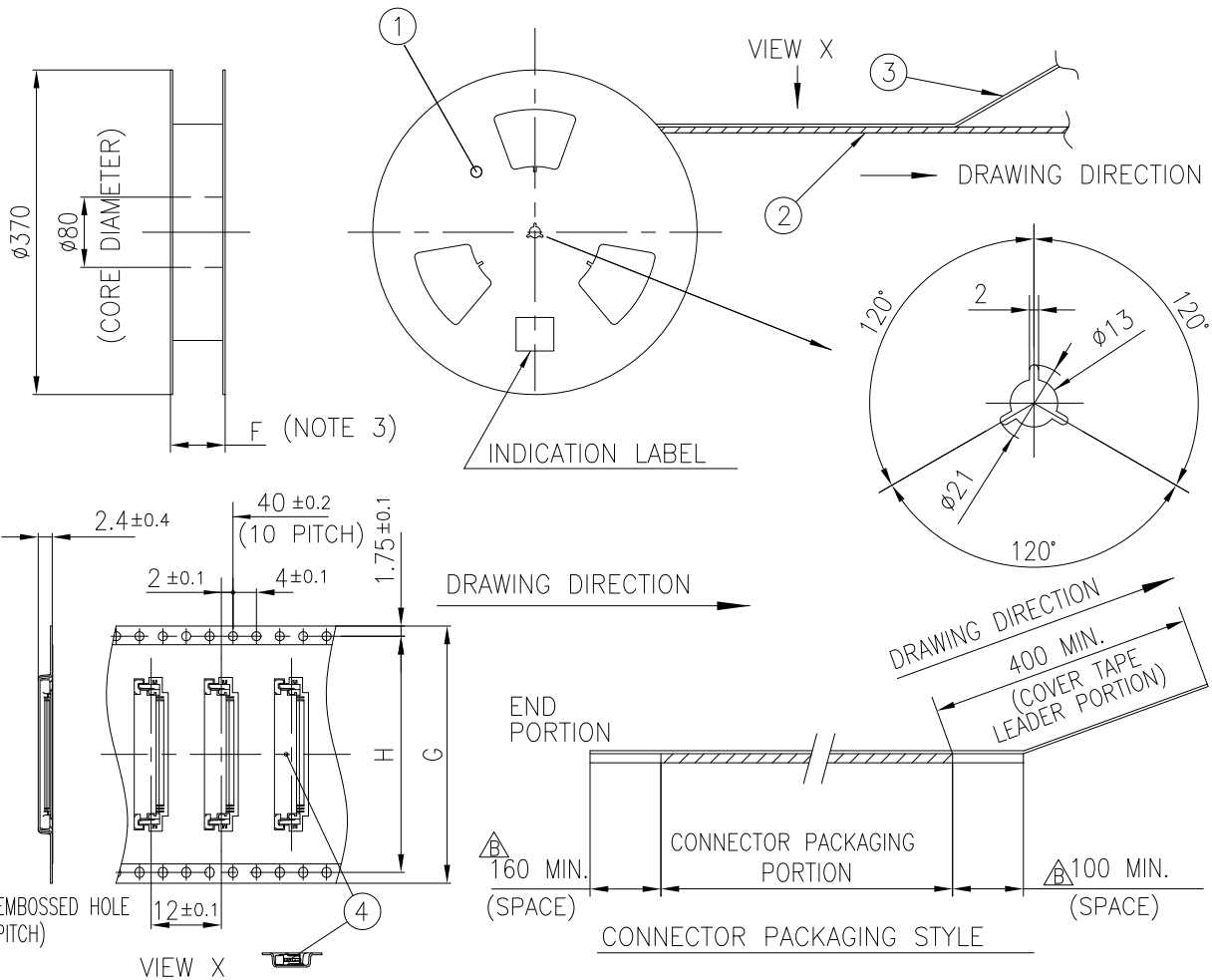


PT. NO.	PARTS NAME	CAT. NO.	MATERIAL	Q'TY	NOTE
1	REEL	_____	CARDBOARD	1	COLOR : WHITE
2	PLASTIC (EMBOSS) TAPE	_____	Δ PS or A-PET	_____	COLOR : TRANSPARENCY
3	COVER	_____	Δ POLYESTER,POLYETHYLENE	_____	COLOR : TRANSPARENCY
4	CONNECTOR	SFV__R-3STB__HLF	SEE SHEET 3	3000	LOWER CONTACT TYPE WITH CABLE LOCK MECHANISM

NOTES

1. THIS IS PLASTIC TAPE PACKAGED CONNECTOR USED FOR FPC AND COPES WITH AUTOMATIC MOUNTING (SMT).
2. SEE JIS C 0806 (PACKING OF ELECTRONIC COMPONENTS ON CONTINUOUS TAPES (SURFACE MOUNTING DEVICES)) FOR SHAPE AND DIMENSIONS OF PLASTIC (EMBOSS) TAPE AND REEL.
3. F DIMENSION IS PORTION OF THE CORE.

mat'l. code		surface ISO 1302 <input checked="" type="checkbox"/>		tolerance ISO 406 ISO 1101		projection		product family 58EF	
ltr	ecn no	dr	date	tolerances unless otherwise specified		 MM		title PLASTIC TAPE PACKAGED 0.5 mm CONTACT SPACING CONNECTOR (Cat. No. : SFV__R-3STBE1HLF)	
B				angles $\pm 5^\circ$	linear ± 5				
				dr	S.WATANABE	2019-3-6		10116954	
				enr	S.WATANABE	2019-3-6		type Product Customer Drawing	
				chr	S-H.THIO	2019-3-7			
				appd	Y.KAMEDA	2019-3-7			
sheet index	revision sheet								



PT. NO.	PARTS NAME	CAT. NO.	MATERIAL	Q'TY	NOTE
1	REEL	_____	CARDBOARD	1	COLOR : WHITE
2	PLASTIC (EMBOSS) TAPE	_____	Δ PS or A-PET	_____	COLOR : TRANSPARENCY
3	COVER	_____	Δ POLYESTER,POLYETHYLENE	_____	COLOR : TRANSPARENCY
4	CONNECTOR	SFV__R-4STB__HLF	SEE SHEET 4	3000	UPPER CONTACT TYPE WITH CABLE LOCK MECHANISM

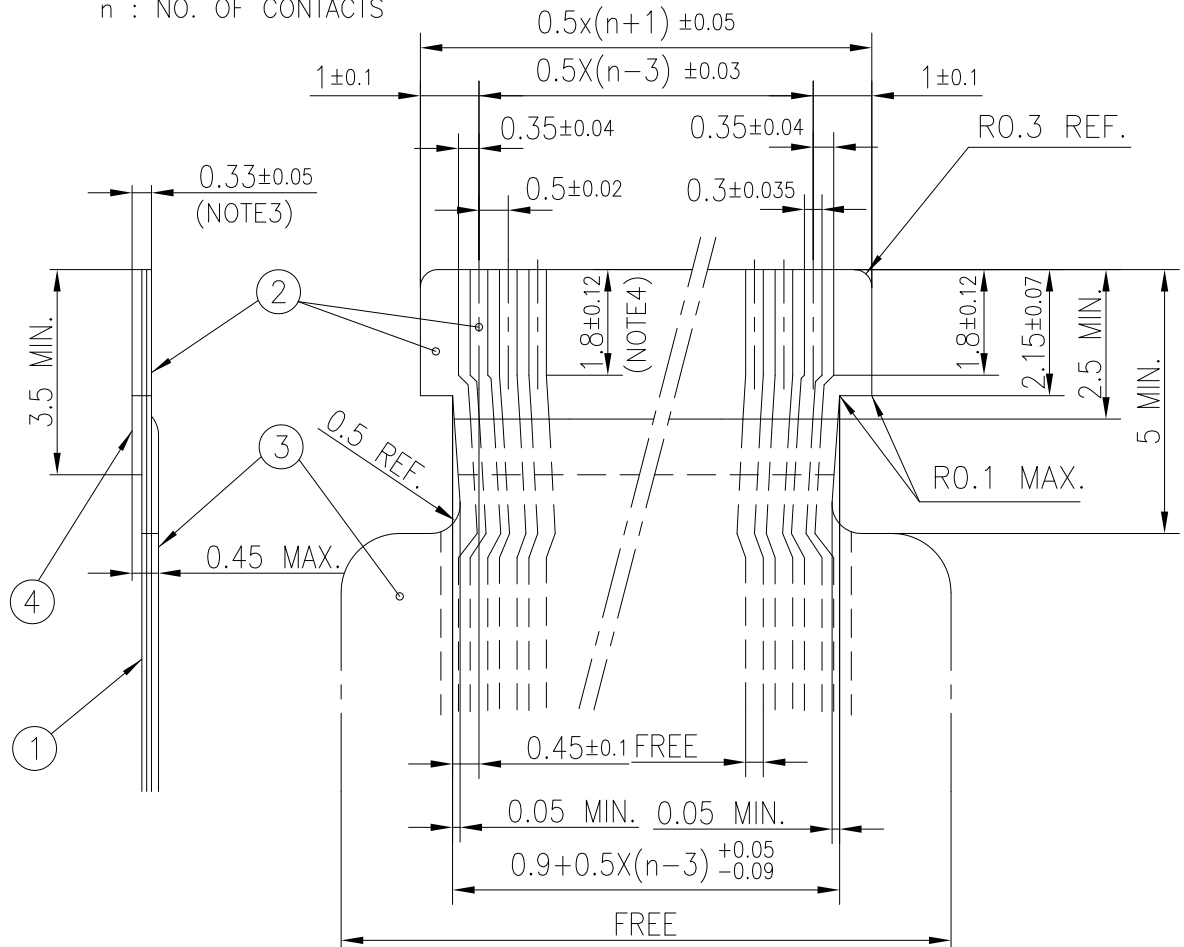
NOTES

1. THIS IS PLASTIC TAPE PACKAGED CONNECTOR USED FOR FPC AND COPES WITH AUTOMATIC MOUNTING (SMT).
2. SEE JIS C 0806 (PACKING OF ELECTRONIC COMPONENTS ON CONTINUOUS TAPES (SURFACE MOUNTING DEVICES)) FOR SHAPE AND DIMENSIONS OF PLASTIC (EMBOSS) TAPE AND REEL.
3. F DIMENSION IS PORTION OF THE CORE.

mat'l. code		surface <input checked="" type="checkbox"/> ISO 1302		tolerance <input checked="" type="checkbox"/> ISO 406 ISO 1101		projection		product family 58EF	
ltr	ecn no	dr	date	tolerances unless otherwise specified		MM		title PLASTIC TAPE PACKAGED 0.5 mm CONTACT SPACING CONNECTOR (Cat. No. : SFV__R-4STBE1HLF)	
B				angles $\pm 5^\circ$	linear ± 5	scale N/A		dwg no sheet 7 of 8 size $\Delta 4$	
				dr S.WATANABE	2019-3-6			10116954	
				enr S.WATANABE	2019-3-6			type Product Customer Drawing	
				chr S-H.THIO	2019-3-7				
				appd Y.KAMEDA	2019-3-7				
sheet index	revision sheet								

RECOMMENDED CABLE (FPC)

n : NO. OF CONTACTS



PT. NO.	PARTS NAME	MATERIAL	THICKNESS (um)
1	BASE FILM	POLYIMIDE OR POLYESTER OR EQUAL	25
2	CONDUCTOR	COPPER FOIL(PLATING : GOLD)	35
3	OVERLAY	POLYIMIDE OR POLYESTER OR EQUIVARENT	—
4	SUPPORTING TAPE	POLYESTER OR POLYIMIDE OR EQUIVARENT	188

NOTES

1. NO BURR AT EACH PORTION.
2. NO PEELING IN COMMON USE.
3. TOTAL THICKNESS LIMIT OF EACH MATERIAL (INCLUDING ADHESIVE AGENT) IS SPECIFIED.
4. THIS DIMENSION INDICATES THE RANGE FOR 0.3±0.035 CONDUCTOR WIDTH.

mat'l. code		surface 58/ISO 1302		tolerance ISO 406 ISO 1101		projection		product family 58EF	
ltr	ecn no	dr	date	tolerances unless otherwise specified		MM		title	
B				angles	linear	scale N/A		RECOMMENDED CABLE (Cat. No. : SFV__R-3/4STB__HLF)	
				dr	S.WATANABE	2019-3-6	Amphenol FCi	dwg no sheet 8 of 8 size	
				enr	S.WATANABE	2019-3-6		10116954 A4	
				chr	S-H.THIO	2019-3-7			
				appd	Y.KAMEDA	2019-3-7		type Product Customer Drawing	
sheet index	revision sheet								