

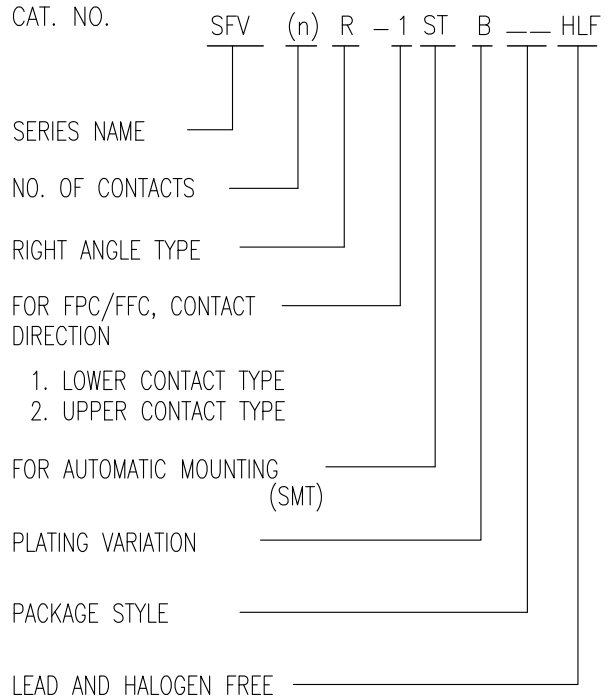
List of "SFV__R-1/2STBE5HLF" customer document

DOCUMENT NO.	LIST
SC-SFV08	SPEC.
10117738 Sheet2	CAT.NO.TABLE FOR 0.5mm CONTACT SPACING CONNECTOR (SFV__R-1/2STB_HLF)
10117738 Sheet3	CONNECTOR USED FOR FPC/FFC WITH 0.5mm CONTACT SPACING (SFV__R-1STB_HLF)
10117738 Sheet4	CONNECTOR USED FOR FPC/FFC WITH 0.5mm CONTACT SPACING (SFV__R-2STB_HLF)
10117738 Sheet5	CAT.NO.TABLE FOR PLASTIC TAPE PACKAGED 0.5mm CONTACT SPACING CONNECTOR (SFV__R-1/2STBE5HLF)
10117738 Sheet6	PLASTIC TAPE PACKAGED 0.5mm CONTACT SPACING CONNECTOR (SFV__R-1STBE5HLF)
10117738 Sheet7	PLASTIC TAPE PACKAGED 0.5mm CONTACT SPACING CONNECTOR (SFV__R-2STBE5HLF)
10117738 Sheet8	RECOMMENDED CABLE (FPC) (SFV__R-1/2ST_LF)
10117738 Sheet9	RECOMMENDED CABLE (FFC) (SFV__R-1/2ST_LF)
BJM-SFV101	HANDLING PROCEDURES

mat'l. code				surface ISO 1302 <input checked="" type="checkbox"/>		tolerance ISO 406 ISO 1101		projection		product family 58EF										
ltr	ecn no	dr	date	tolerances unless otherwise specified				MM		title 0.5mm SPACING FPC CONNECTOR DOCUMENT LIST (Cat. No. : SFV__R-1/2STBE5HLF)										
A	J11-0061	S.W	2011-3-8	angles	linear			scale N/A		dwg no sheet 1 of 9 size										
B	ELX-J-32839	S.W	2019-3-6					Amphenol FCI		10117738 A4										
				dr	S.WATANABE	2019-3-6				type Product Customer Drawing										
				enr	S.WATANABE	2019-3-6														
				chr	S-H.THIO	2019-3-7														
				appd	Y.KAMEDA	2019-3-7														
sheet index	revision sheet	B	B	B	B	B	B	B	B	B	B	B	B	B	B	B	B	B	B	B
		1	2	3	4	5	6	7	8	9										

CAT. NO. & DIMENSIONS

NO. OF CONTACTS (n)	CAT. NO.	DIMENSIONS (NOTE2)			
		A ± 0.2	B ± 0.2	C ± 0.1	D ± 0.1
4	SFV4R-1/2STB__HLF	7.5	5.9	1.5	2.7
5	SFV5R-1/2STB__HLF	8.0	6.4	2.0	3.2
6	SFV6R-1/2STB__HLF	8.5	6.9	2.5	3.7
7	SFV7R-1/2STB__HLF	9.0	7.4	3.0	4.2
8	SFV8R-1/2STB__HLF	9.5	7.9	3.5	4.7
9	SFV9R-1/2STB__HLF	10.0	8.4	4.0	5.2
10	SFV10R-1/2STB__HLF	10.5	8.9	4.5	5.7
11	SFV11R-1/2STB__HLF	11.0	9.4	5.0	6.2
12	SFV12R-1/2STB__HLF	11.5	9.9	5.5	6.7
13	SFV13R-1/2STB__HLF	12.0	10.4	6.0	7.2
14	SFV14R-1/2STB__HLF	12.5	10.9	6.5	7.7
15	SFV15R-1/2STB__HLF	13.0	11.4	7.0	8.2
16	SFV16R-1/2STB__HLF	13.5	11.9	7.5	8.7
17	SFV17R-1/2STB__HLF	14.0	12.4	8.0	9.2
18	SFV18R-1/2STB__HLF	14.5	12.9	8.5	9.7
19	SFV19R-1/2STB__HLF	15.0	13.4	9.0	10.2
20	SFV20R-1/2STB__HLF	15.5	13.9	9.5	10.7
21	SFV21R-1/2STB__HLF	16.0	14.4	10.0	11.2
22	SFV22R-1/2STB__HLF	16.5	14.9	10.5	11.7
23	SFV23R-1/2STB__HLF	17.0	15.4	11.0	12.2
24	SFV24R-1/2STB__HLF	17.5	15.9	11.5	12.7
25	SFV25R-1/2STB__HLF	18.0	16.4	12.0	13.2
26	SFV26R-1/2STB__HLF	18.5	16.9	12.5	13.7
27	SFV27R-1/2STB__HLF	19.0	17.4	13.0	14.2
28	SFV28R-1/2STB__HLF	19.5	17.9	13.5	14.7
29	SFV29R-1/2STB__HLF	20.0	18.4	14.0	15.2
30	SFV30R-1/2STB__HLF	20.5	18.9	14.5	15.7
31	SFV31R-1/2STB__HLF	21.0	19.4	15.0	16.2
32	SFV32R-1/2STB__HLF	21.5	19.9	15.5	16.7
33	SFV33R-1/2STB__HLF	22.0	20.4	16.0	17.2
34	SFV34R-1/2STB__HLF	22.5	20.9	16.5	17.7
35	SFV35R-1/2STB__HLF	23.0	21.4	17.0	18.2



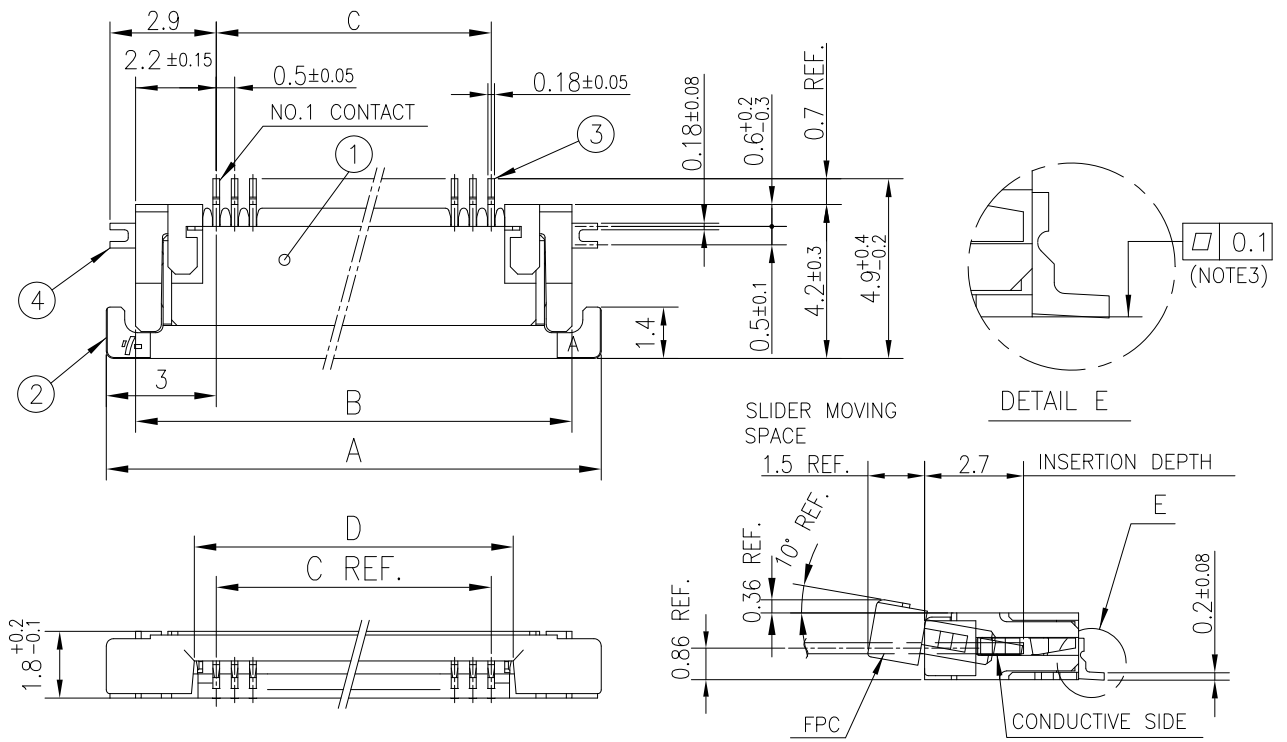
NOTES

1. THIS PRODUCT IS THE CONNECTOR USED FOR FPC AND COPES WITH AUTOMATIC MOUNTING (SMT).
2. SEE PART DRAWINGS FOR DIMENSIONS A~D.

Amphenol FCI

© 2016 AFCl

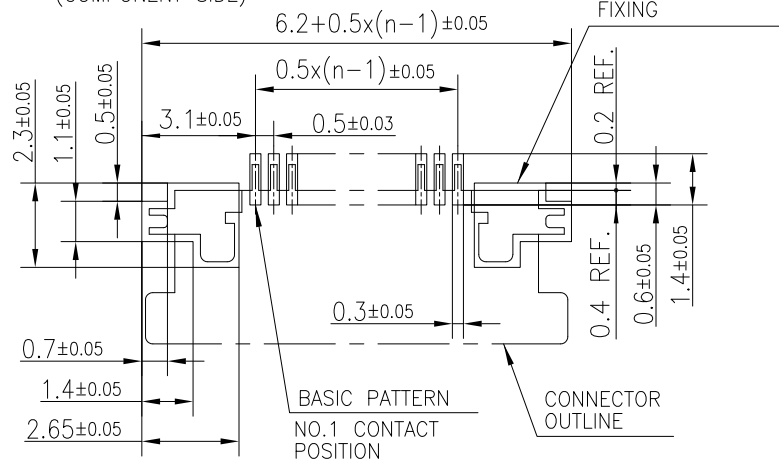
mat'l. code		surface ISO 1302 <input checked="" type="checkbox"/>		tolerance ISO 406 ISO 1101		projection		product family 58EF			
ltr	ecn no	dr	date	tolerances unless otherwise specified		MM		title CAT. NO. TABLE FOR 0.5 mm CONTACT SPACING CONNECTOR (Cat. No. : SFV__R-1/2STB__HLF)			
B				angles	linear	scale N/A		dwg no		sheet 2 of 9	size
				dr	S.WATANABE	2019-3-6		10117738			A4
				enr	S.WATANABE	2019-3-6		type Product Customer Drawing			
				chr	S-H.THIO	2019-3-7					
				appd	Y.KAMEDA	2019-3-7					
sheet index	revision sheet										



PT. NO.	PARTS NAME	MATERIAL	Q'TY	NOTE
1	HOUSING	13~35pin : LCP RESIN GLASS REINFORCED (UL94V-0)	1	COLOR : BLACK (HALOGEN FREE)
		4~12pin : POLYAMIDE RESIN GLASS REINFORCED (UL94V-0)		
2	SLIDER	PPS RESIN GLASS REINFORCED (UL94V-0)	1	COLOR : BLACK (HALOGEN FREE)
3	CONTACT	PHOSPHOR BRONZE	n	PLATING : GOLD
4	MOUNTING PLATE		2	PLATING : LEAD FREE

n : NO. OF CONTACTS

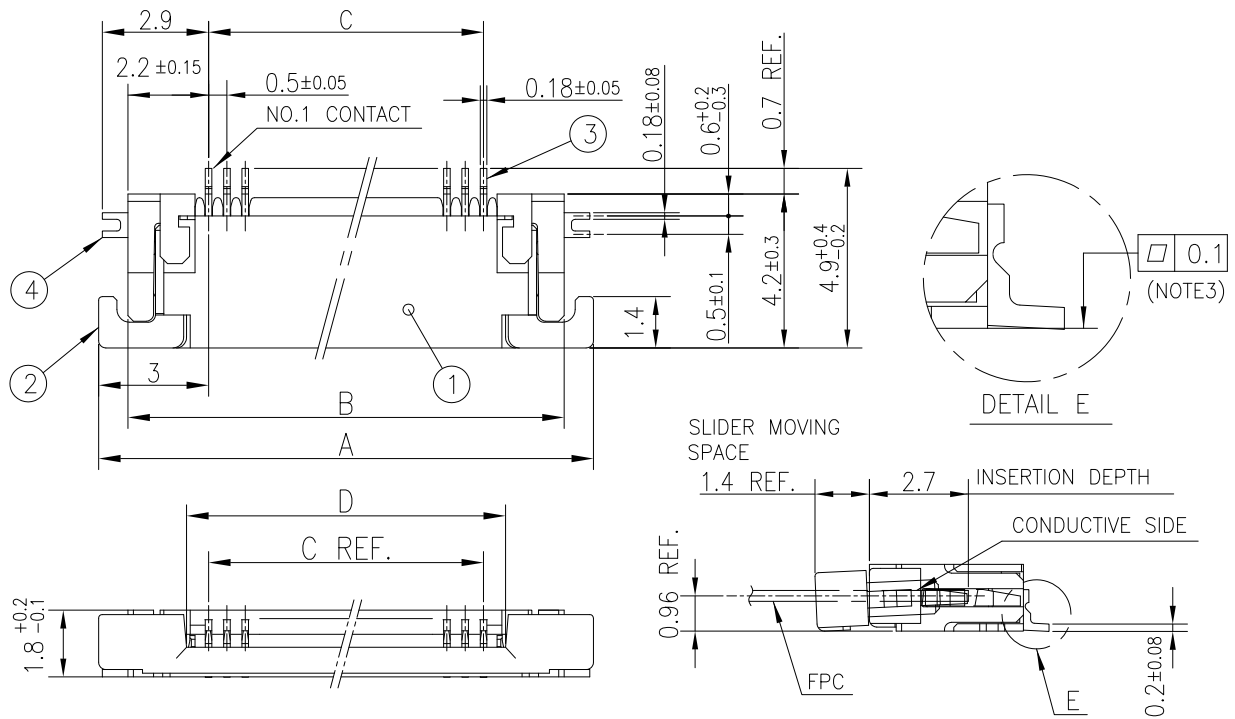
RECOMMENDED PC BOARD LAYOUT
(COMPONENT SIDE)



NOTES

1. THIS PRODUCT IS THE CONNECTOR USED FOR FPC AND COPS WITH AUTOMATIC MOUNTING (SMT).
2. THIS PRODUCT IS LOWER CONTACT TYPE CONNECTOR
3. FLATNESS OF CONTACT TERMINAL AND MOUNTING PLATE MUST BE WITHIN TOLERANCE IN E PORTION DETAILED DRAWING.
4. THIS PRODUCT MEETS EUROPEAN UNION DIRECTIVES AND OTHER COUNTRY REGULATIONS AS DESCRIBED IN GS-22-008.
5. THE HOUSING WILL WITHSTAND EXPOSURE TO 260°C PEAK TEMPERATURE FOR 10 SECONDS IN A REFLOW SOLDERING OVEN.

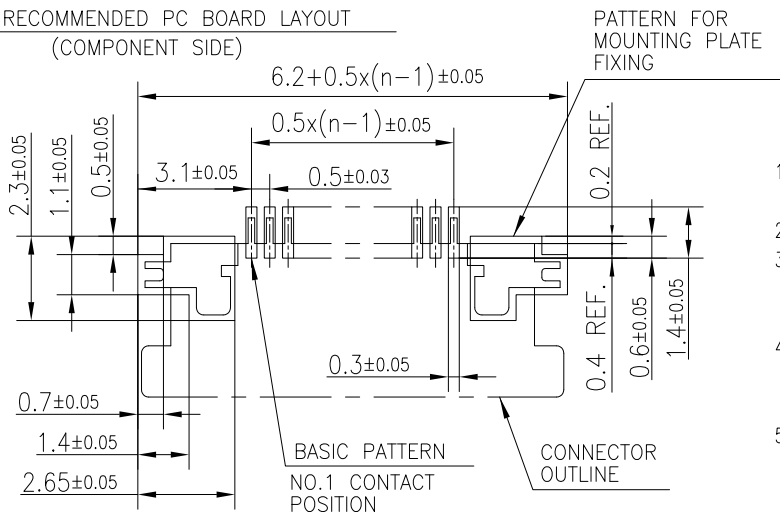
mat'l. code		surface ISO 1302		tolerance ISO 406 ISO 1101		projection		product family 58EF		
ltr	ecn no	dr	date	tolerances unless otherwise specified		MM		title		
B				angles	linear	scale N/A		CONNECTOR USED FOR FPC WITH 0.5 mm CONTACT SPACING (Cat. No. : SFV__R-1STB__HLF)		
		dr	S.WATANABE	2019-3-6		Amphenol FCI		dwg no sheet 3 of 9 size		
		enr	S.WATANABE	2019-3-6				10117738		A4
		chr	S-H.THIO	2019-3-7						
		appd	Y.KAMEDA	2019-3-7						
sheet index		revision sheet						type Product Customer Drawing		



PT. NO.	PARTS NAME	MATERIAL	Q'TY	NOTE
1	HOUSING	13~35pin : LCP RESIN GLASS REINFORCED (UL94V-0)	1	COLOR : BLACK (HALOGEN FREE)
		4~12pin : POLYAMIDE RESIN GLASS REINFORCED (UL94V-0)		
2	SLIDER	PPS RESIN GLASS REINFORCED (UL94V-0)	1	COLOR : BLACK (HALOGEN FREE)
3	CONTACT	PHOSPHOR BRONZE	n	PLATING : GOLD
4	MOUNTING PLATE		2	PLATING : LEAD FREE

n : NO. OF CONTACTS

RECOMMENDED PC BOARD LAYOUT
(COMPONENT SIDE)



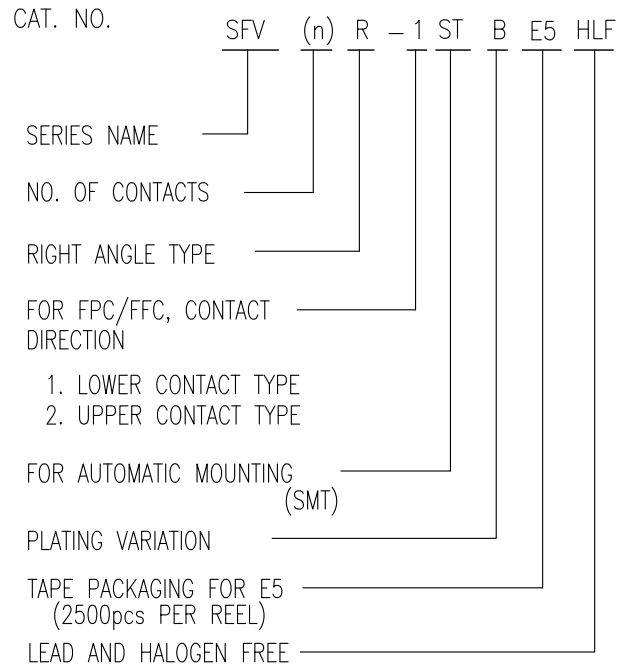
NOTES

1. THIS PRODUCT IS THE CONNECTOR USED FOR FPC AND COPES WITH AUTOMATIC MOUNTING (SMT).
2. THIS PRODUCT IS UPPER CONTACT TYPE CONNECTOR.
3. FLATNESS OF CONTACT TERMINAL AND MOUNTING PLATE MUST BE WITHIN TOLERANCE IN E PORTION DETAILED DRAWING.
4. THIS PRODUCT MEETS EUROPEAN UNION DIRECTIVES AND OTHER COUNTRY REGULATIONS AS DESCRIBED IN GS-22-008.
5. THE HOUSING WILL WITHSTAND EXPOSURE TO 260°C PEAK TEMPERATURE FOR 10 SECONDS IN A REFLOW SOLDERING OVEN.

mat'l. code		surface ISO 1302		tolerance ISO 406 ISO 1101		projection		product family		58EF			
ltr	ecn no	dr	date	tolerances unless otherwise specified		MM		title					
B				angles	linear	scale N/A		CONNECTOR USED FOR FPC WITH 0.5 mm CONTACT SPACING (Cat. No. : SFV__R-2STB__HLF)					
		dr	S.WATANABE	2019-3-6		Amphenol FCI		dwg no		sheet 4 of 9			
		enr	S.WATANABE	2019-3-6				10117738		size		A4	
		chr	S-H.THIO	2019-3-7									
		app	Y.KAMEDA	2019-3-7									
sheet index		revision sheet											

CAT. NO. & DIMENSIONS

NO. OF CONTACTS (n)	CAT. NO.	DIMENSIONS (NOTE3)		
		F MAX.	G ± 0.3	H ± 0.1
4	SFV4R-1/2STBE5HLF	22.4	16	—
5	SFV5R-1/2STBE5HLF	22.4	16	—
6	SFV6R-1/2STBE5HLF	22.4	16	—
7	SFV7R-1/2STBE5HLF	30.4	24	—
8	SFV8R-1/2STBE5HLF	30.4	24	—
9	SFV9R-1/2STBE5HLF	30.4	24	—
10	SFV10R-1/2STBE5HLF	30.4	24	—
11	SFV11R-1/2STBE5HLF	30.4	24	—
12	SFV12R-1/2STBE5HLF	30.4	24	—
13	SFV13R-1/2STBE5HLF	30.4	24	—
14	SFV14R-1/2STBE5HLF	30.4	24	—
15	SFV15R-1/2STBE5HLF	30.4	24	—
16	SFV16R-1/2STBE5HLF	30.4	24	—
17	SFV17R-1/2STBE5HLF	30.4	24	—
18	SFV18R-1/2STBE5HLF	30.4	24	—
19	SFV19R-1/2STBE5HLF	30.4	24	—
20	SFV20R-1/2STBE5HLF	30.4	24	—
21	SFV21R-1/2STBE5HLF	30.4	24	—
22	SFV22R-1/2STBE5HLF	30.4	24	—
23	SFV23R-1/2STBE5HLF	38.4	32	28.4
24	SFV24R-1/2STBE5HLF	38.4	32	28.4
25	SFV25R-1/2STBE5HLF	38.4	32	28.4
26	SFV26R-1/2STBE5HLF	38.4	32	28.4
27	SFV27R-1/2STBE5HLF	38.4	32	28.4
28	SFV28R-1/2STBE5HLF	38.4	32	28.4
29	SFV29R-1/2STBE5HLF	38.4	32	28.4
30	SFV30R-1/2STBE5HLF	38.4	32	28.4
31	SFV31R-1/2STBE5HLF	50.4	44	40.4
32	SFV32R-1/2STBE5HLF	50.4	44	40.4
33	SFV33R-1/2STBE5HLF	50.4	44	40.4
34	SFV34R-1/2STBE5HLF	50.4	44	40.4
35	SFV35R-1/2STBE5HLF	50.4	44	40.4



NOTES

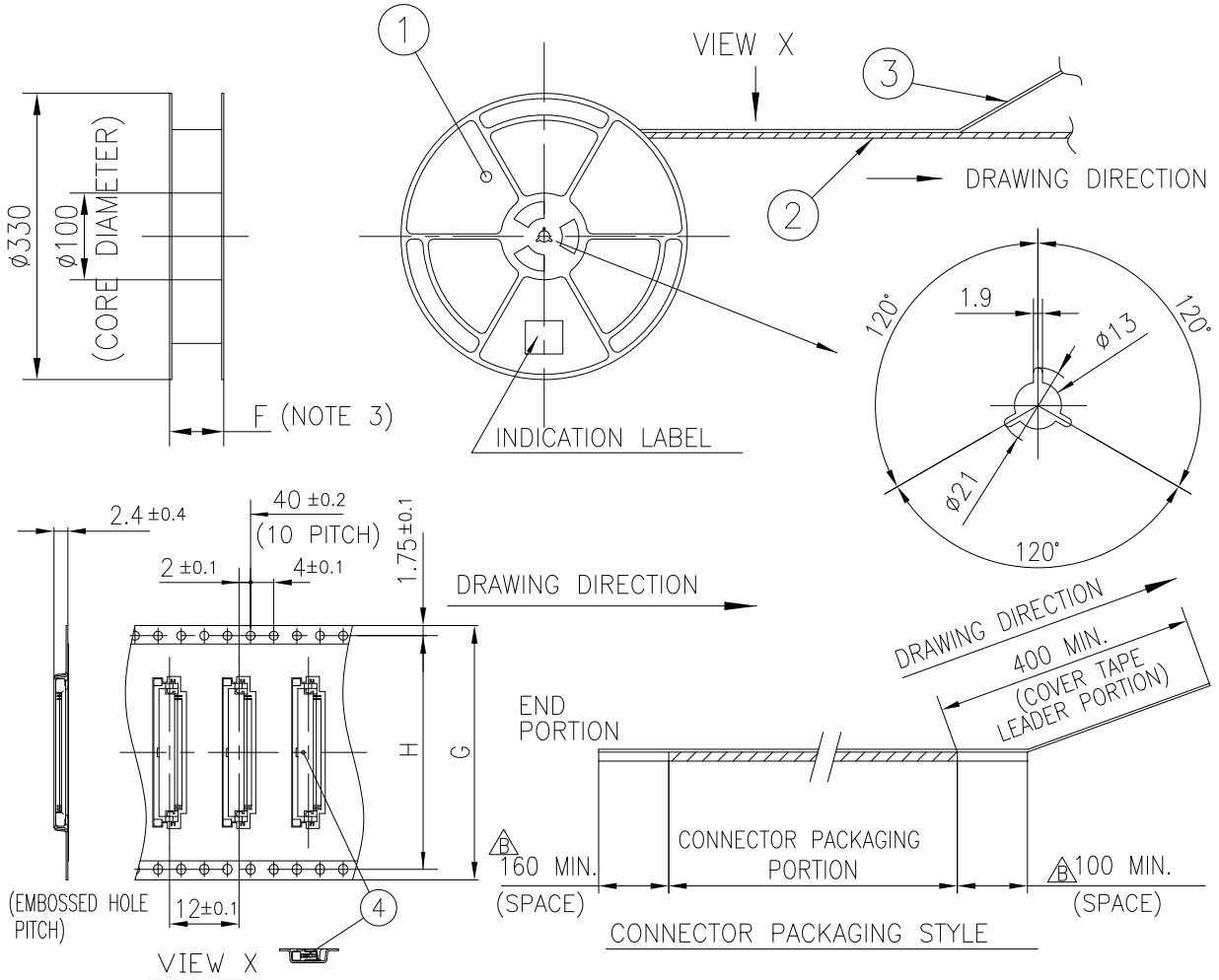
1. THIS PRODUCT IS THE CONNECTOR USED FOR FPC AND COPEs WITH AUTOMATIC MOUNTING (SMT).
2. THIS CATALOG NO. INDICATES PLASTIC TAPE PACKAGED CONNECTOR.
3. SEE PART DRAWINGS FOR DIMENSIONS F~H.

Amphenol FCI

© 2016 AFCl

mat'l. code		surface ISO 1302 <input checked="" type="checkbox"/>		tolerance ISO 406 ISO 1101		projection		product family 58EF	
ltr	ecn no	dr	date	tolerances unless otherwise specified				title	
B				angles	linear	MM		CAT. NO. TABLE FOR PLASTIC TAPE PACKAGED 0.5 mm CONTACT SPACING CONNECTOR (Cat. No. : SFV__R-1/2STBE5HLF)	
				dr	S.WATANABE	2019-3-6	Amphenol FCI	dwg no sheet 5 of 9 size	
				enr	S.WATANABE	2019-3-6		10117738 A4	
				chr	S-H.THIO	2019-3-7			
				appd	Y.KAMEDA	2019-3-7		type Product Customer Drawing	
sheet index	revision sheet								

TOLERANCES
UNLESS OTHERWISE SPECIFIED : ±5, ANGLE ±5°



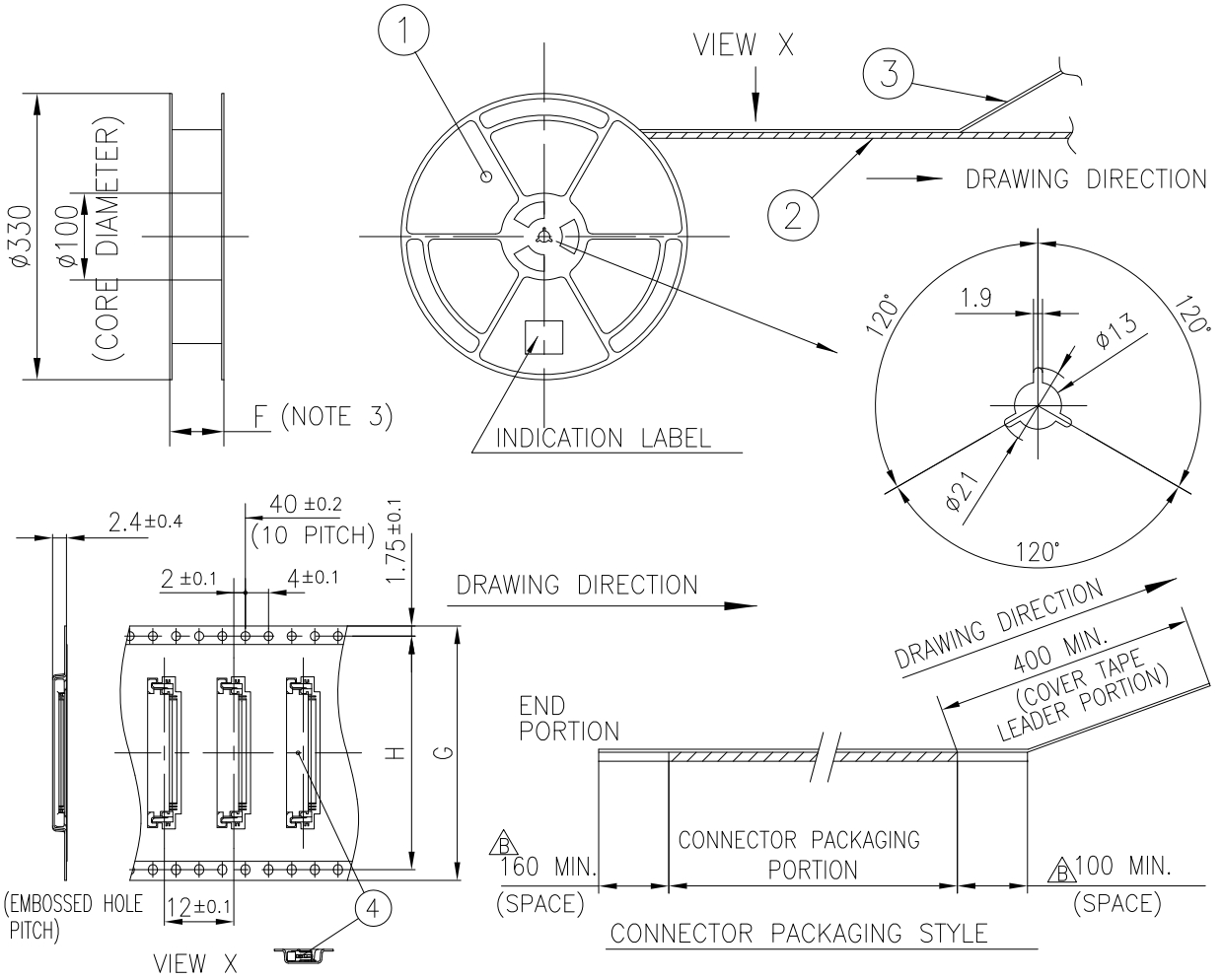
PT. NO.	PARTS NAME	CAT. NO.	MATERIAL	Q'TY	NOTE
1	REEL	_____	POLYSTYRENE	1	COLOR : BLACK
2	PLASTIC (EMBOSS) TAPE	_____	△ PS or A-PET	_____	COLOR : TRANSPARENCY
3	COVER	_____	△ POLYESTER,POLYETHYLENE	_____	COLOR : TRANSPARENCY
4	CONNECTOR	SFV__R-1STB__HLF	SEE SHEET 3	2500	LOWER CONTACT TYPE

NOTES

1. THIS IS PLASTIC TAPE PACKAGED CONNECTOR USED FOR FPC AND COPES WITH AUTOMATIC MOUNTING (SMT).
2. SEE JIS C 0806 (PACKING OF ELECTRONIC COMPONENTS ON CONTINUOUS TAPES (SURFACE MOUNTING DEVICES)) FOR SHAPE AND DIMENSIONS OF PLASTIC (EMBOSS) TAPE AND REEL.
3. F DIMENSION IS PORTION OF THE CORE.

mat'l. code		surface ISO 1302		tolerance ISO 406 ISO 1101		projection		product family	
_		✓		ISO 406 ISO 1101		⊕		58EF	
ltr	ecn no	dr	date	tolerances unless otherwise specified		MM		title	
B				angles	linear	←		PLASTIC TAPE PACKAGED 0.5 mm CONTACT SPACING CONNECTOR (Cat. No. : SFV__R-1STBE5HLF)	
						scale N/A		dwg no	
				dr	S.WATANABE	2019-3-6	Amphenol FCi	sheet 6 of 9	
				enr	S.WATANABE	2019-3-6		10117738	
				chr	S-H.THIO	2019-3-7		A4	
				appd	Y.KAMEDA	2019-3-7		type Product Customer Drawing	
sheet index	revision sheet								

TOLERANCES
UNLESS OTHERWISE SPECIFIED : ±5, ANGLE ±5°



PT. NO.	PARTS NAME	CAT. NO.	MATERIAL	Q'TY	NOTE
1	REEL	_____	POLYSTYRENE	1	COLOR : BLACK
2	PLASTIC (EMBOSS) TAPE	_____	△ PS or A-PET	_____	COLOR : TRANSPARENCY
3	COVER	_____	△ POLYESTER,POLYETHYLENE	_____	COLOR : TRANSPARENCY
4	CONNECTOR	SFV__R-2STB__HLF	SEE SHEET 4	2500	UPPER CONTACT TYPE

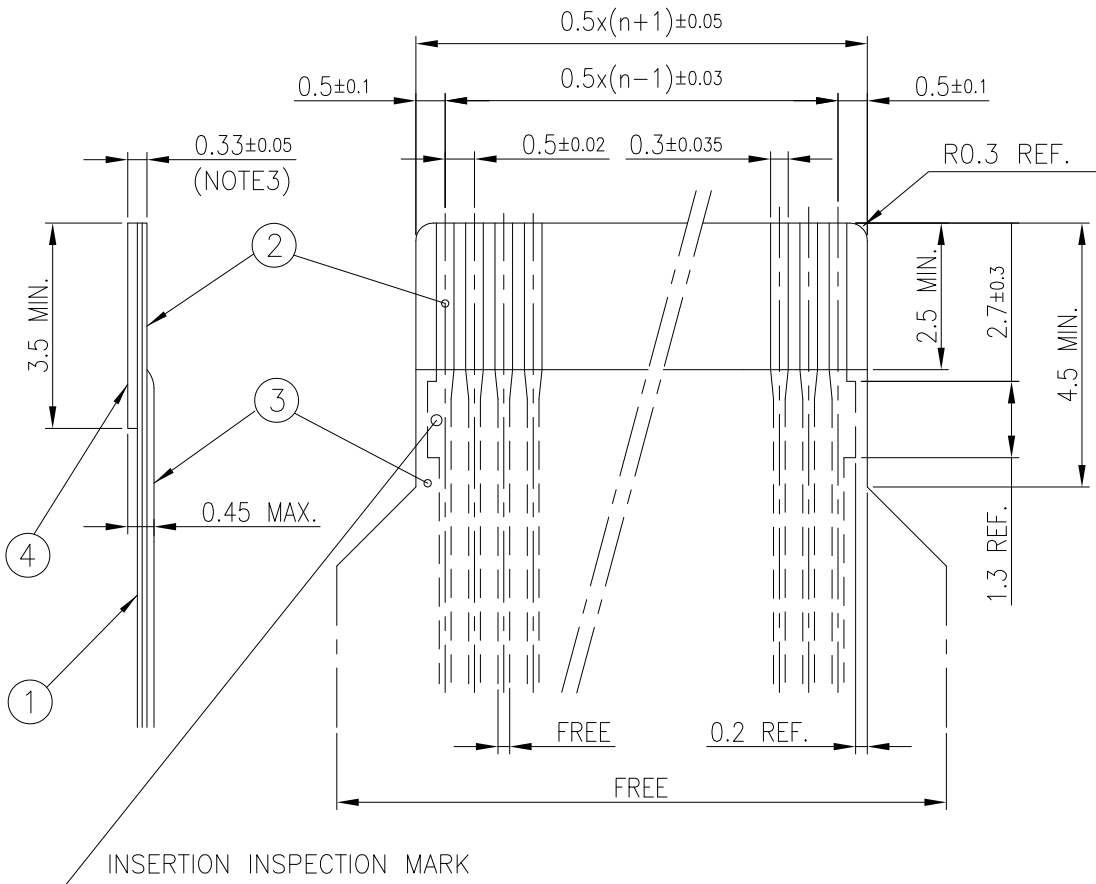
NOTES

1. THIS IS PLASTIC TAPE PACKAGED CONNECTOR USED FOR FPC AND COPES WITH AUTOMATIC MOUNTING (SMT).
2. SEE JIS C 0806 (PACKING OF ELECTRONIC COMPONENTS ON CONTINUOUS TAPES (SURFACE MOUNTING DEVICES)) FOR SHAPE AND DIMENSIONS OF PLASTIC (EMBOSS) TAPE AND REEL.
3. F DIMENSION IS PORTION OF THE CORE.

mat'l. code		surface 58		tolerance		projection		product family	
-		ISO 1302		ISO 406 ISO 1101				58EF	
ltr	ecn no	dr	date			tolerances unless otherwise specified		title	
B						angles linear ±5 scale N/A		PLASTIC TAPE PACKAGED 0.5 mm CONTACT SPACING CONNECTOR (Cat. No. : SFV__R-2STBE5HLF)	
			dr	S.WATANABE	2019-3-6			dwg no	
			enr	S.WATANABE	2019-3-6			sheet 7 of 9	
			chr	S-H.THIO	2019-3-7			10117738	
			appd	Y.KAMEDA	2019-3-7			A4	
sheet index		revision sheet						type Product Customer Drawing	

RECOMMENDED CABLE (FPC)

n : NO. OF CONTACTS



PT. NO.	PARTS NAME	MATERIAL	THICKNESS (um)
1	BASE FILM	POLYIMIDE OR POLYESTER OR EQUAL	25
2	CONDUCTOR	COPPER FOIL(PLATING : GOLD)	35
3	OVERLAY	POLYIMIDE OR POLYESTER OR EQUAL	—
4	SUPPORTING TAPE	POLYESTER OR POLYIMIDE OR EQUAL	188

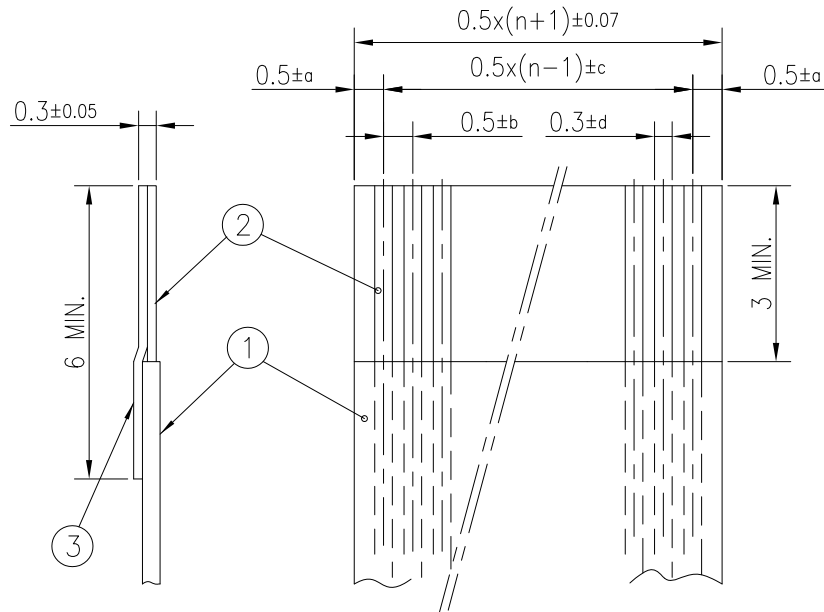
NOTES

1. NO BURR AT EACH PORTION.
2. NO PEELING IN COMMON USE.
3. TOTAL THICKNESS LIMIT OF EACH MATERIAL (INCLUDING ADHESIVE AGENT) IS SPECIFIED.

mat'l. code		surface		tolerance		projection		product family	
—		ISO 1302 ✓		ISO 406 ISO 1101				58EF	
ltr	ecn no	dr	date			tolerances unless otherwise specified		title	
B								RECOMMENDED CABLE	
			angles	linear		MM		(Cat. No. : SFV__R-1/2ST___LF)	
			dr	S.WATANABE	2019-3-6			dwg no	
			enr	S.WATANABE	2019-3-6			sheet 8 of 9	
			chr	S-H.THIO	2019-3-7			10117738	
			appd	Y.KAMEDA	2019-3-7			A4	
sheet index		revision sheet						type Product Customer Drawing	

RECOMMENDED CABLE (FFC)

n : NO. OF CONTACTS



KIND OF FFC (NOTE3)	DIMENSIONAL TOLERANCE			
	a	b	c	d
1	±0.07	±0.04	±0.05	±0.02
2	±0.1	±0.03	±0.03	±0.025

PT. NO.	PARTS NAME	MATERIAL
1	INSULATOR	FLAME RESISTING POLYESTER OR EQUIVALENT
2	CONDUCTOR	COPPER FOIL (PLATING : GOLD)
3	SUPPORTING TAPE	FLAME RESISTING POLYESTER OR EQUIVALENT

NOTES

1. NO BURR AT EACH PORTION.
2. NO PEELING IN COMMON USE.
3. EITHER KIND1 OR KIND2 OF FFC CAN ACCEPT DIMENSIONAL TOLERANCE a,b,c AND d.

mat'l. code		surface		tolerance		projection		product family		
-		ISO 1302 ✓		ISO 406 ISO 1101				58EF		
ltr	ecn no	dr	date			tolerances unless otherwise specified		title		
B								RECOMMENDED CABLE		
			angles	linear			scale N/A		(Cat. No. : SFV__R-1/2ST__LF)	
		dr	S.WATANABE	2019-3-6				dwg no		
		enr	S.WATANABE	2019-3-6				sheet 9 of 9		size
		chr	S-H.THIO	2019-3-7				10117738		A4
		appd	Y.KAMEDA	2019-3-7				type Product Customer Drawing		
sheet index	revision sheet									