

List of "SFW\_\_R-3/4STE1HLF" customer document

DOCUMENT NO.	LIST
GS-12-0986	SPEC.
10118875	CAT.NO.TABLE FOR 1mm SPACING SMT CONNECTOR (SFW__R-3/4ST__HLF)
10118875	1mm SPACING SMT CONNECTOR (SFW__R-3ST__HLF)
10118875	1mm SPACING SMT CONNECTOR (SFW__R-4ST__HLF)
10118875	CAT.NO.TABLE FOR PLASTIC TAPE PACKAGED 1mm SPACING SMT CONNECTOR (SFW__R-3/4STE1HLF)
10118875	PLASTIC TAPE PACKAGED 1mm SPACING SMT CONNECTOR (SFW__R-3STE1HLF)
10118875	PLASTIC TAPE PACKAGED 1mm SPACING SMT CONNECTOR (SFW__R-4STE1HLF)
10118875	RECOMMENDED CABLE (FPC) (SFW__R-3/4ST__)
10118875	RECOMMENDED CABLE (FFC) (SFW__R-3/4ST__)
GS-20-130	HANDLING PROCEDURES



© 2016 AFCI

mat'l. code				surface <input checked="" type="checkbox"/> ISO 1302		tolerance <input checked="" type="checkbox"/> ISO 406 <input type="checkbox"/> ISO 1101		projection		product family				
-										58RF				
ltr	ecn no	dr	date	tolerances unless otherwise specified						title				
A	J11-0174	S.W	2011-8-10	angles						1mm SPACING FPC/FFC CONNECTOR DOCUMENT LIST (Cat. No. : SFW__R-3/4STE1HLF)				
B	ELX-J-32994	S.W	2019-3-25	linear						scale N/A				
				dr	S.WATANABE	2019-3-25				dwg no		sheet 1 of 9	size	
				enr	S.WATANABE	2019-3-25				10118875		A4		
				chr	S-H.THIO	2019-3-25				type Product Customer Drawing				
				appd	Y.KAMEDA	2019-3-25								
sheet index	revision sheet	B	B	B	B	B	B	B	B	B				
		1	2	3	4	5	6	7	8	9				

CAT. NO. & DIMENSIONS

NO. OF CONTACTS (n)	CAT. NO.	DIMENSIONS (NOTE2)			
		A ± 0.2	B ± 0.2	C ± 0.2	D ± 0.1
4	SFW4R-3/4ST__HLF	9.8	8.6	3.0	3.92
5	SFW5R-3/4ST__HLF	10.8	9.6	4.0	4.92
6	SFW6R-3/4ST__HLF	11.8	10.6	5.0	5.92
7	SFW7R-3/4ST__HLF	12.8	11.6	6.0	6.92
8	SFW8R-3/4ST__HLF	13.8	12.6	7.0	7.92
9	SFW9R-3/4ST__HLF	14.8	13.6	8.0	8.92
10	SFW10R-3/4ST__HLF	15.8	14.6	9.0	9.92
11	SFW11R-3/4ST__HLF	16.8	15.6	10.0	10.92
12	SFW12R-3/4ST__HLF	17.8	16.6	11.0	11.92
13	SFW13R-3/4ST__HLF	18.8	17.6	12.0	12.92
14	SFW14R-3/4ST__HLF	19.8	18.6	13.0	13.92
15	SFW15R-3/4ST__HLF	20.8	19.6	14.0	14.92
16	SFW16R-3/4ST__HLF	21.8	20.6	15.0	15.92
17	SFW17R-3/4ST__HLF	22.8	21.6	16.0	16.92
18	SFW18R-3/4ST__HLF	23.8	22.6	17.0	17.92
19	SFW19R-3/4ST__HLF	24.8	23.6	18.0	18.92
20	SFW20R-3/4ST__HLF	25.8	24.6	19.0	19.92
21	SFW21R-3/4ST__HLF	26.8	25.6	20.0	20.92
22	SFW22R-3/4ST__HLF	27.8	26.6	21.0	21.92
23	SFW23R-3/4ST__HLF	28.8	27.6	22.0	22.92
24	SFW24R-3/4ST__HLF	29.8	28.6	23.0	23.92
25	SFW25R-3/4ST__HLF	30.8	29.6	24.0	24.92
26	SFW26R-3/4ST__HLF	31.8	30.6	25.0	25.92
27	SFW27R-3/4ST__HLF	32.8	31.6	26.0	26.92
28	SFW28R-3/4ST__HLF	33.8	32.6	27.0	27.92
29	SFW29R-3/4ST__HLF	34.8	33.6	28.0	28.92
30	SFW30R-3/4ST__HLF	35.8	34.6	29.0	29.92

CAT. NO. SFW (n) R - 3 ST \_\_\_ HLF

SERIES NAME

NO. OF CONTACTS

RIGHT ANGLE TYPE

FOR FPC/FFC, WITH CABLE LOCK MECHANISM

CONTACT DIRECTION  
3. LOWER CONTACT TYPE  
4. UPPER CONTACT TYPE

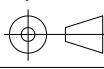
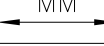

FOR AUTOMATIC MOUNTING (SMT)

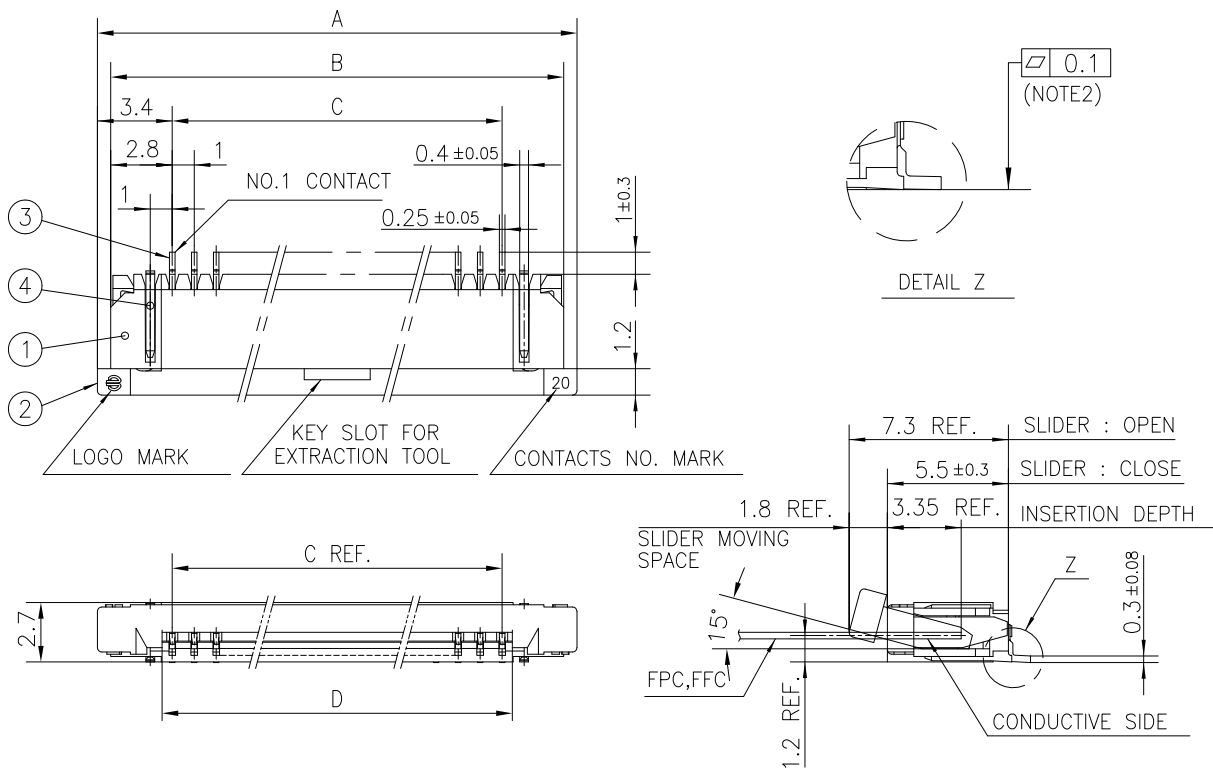
PACKAGE STYLE

LEAD AND HALOGEN FREE

NOTES

1. THIS PRODUCT IS THE CONNECTOR USED FOR FPC/FFC AND COPEs WITH AUTOMATIC MOUNTING (SMT).
2. SEE PART DRAWINGS FOR DIMENSIONS A~D.
3. THIS PRODUCT IS THE CONNECTOR WITH CABLE LOCK MECHANISM.

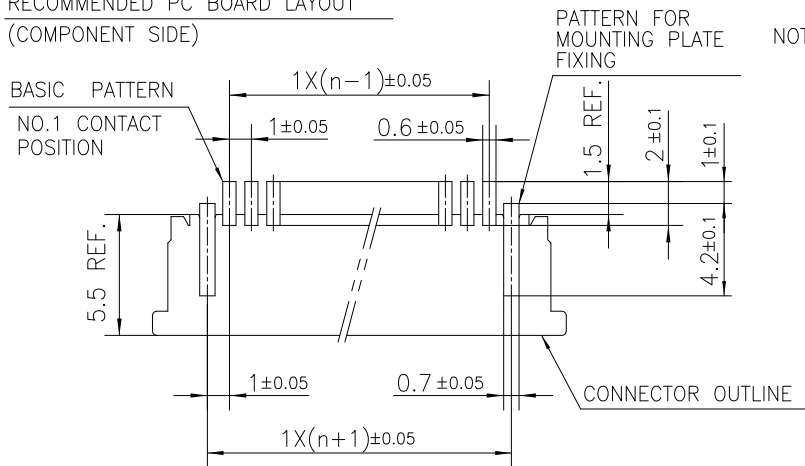
mat'l. code		surface ISO 1302 <input checked="" type="checkbox"/>		tolerance ISO 406 ISO 1101		projection 		product family 58RF			
ltr	ecn no	dr	date	tolerances unless otherwise specified		MM 		title CAT NO. TABLE FOR 1mm SPACING SMT CONNECTOR (Cat. No. SFW__R-3/4ST__HLF)			
B				angles	linear	scale N/A		dwg no		sheet 2 of 9	size
				dr	S.WATANABE	2019-3-25		10118875		A4	
				enr	S.WATANABE	2019-3-25		type Product Customer Drawing			
				chr	S-H.THIO	2019-3-25					
				appd	Y.KAMEDA	2019-3-25					
sheet index	revision sheet										



PT. NO.	PARTS NAME	MATERIAL	Q'TY	NOTE
1	HOUSING	PPS RESIN GLASS REINFORCED (UL94V-0)	1	COLOR : GRAY
2	SLIDER		1	COLOR : GRAY
3	CONTACT	PHOSPHOR BRONZE	n	PLATING : TIN
4	MOUNTING PLATE		2	

n : NO. OF CONTACTS

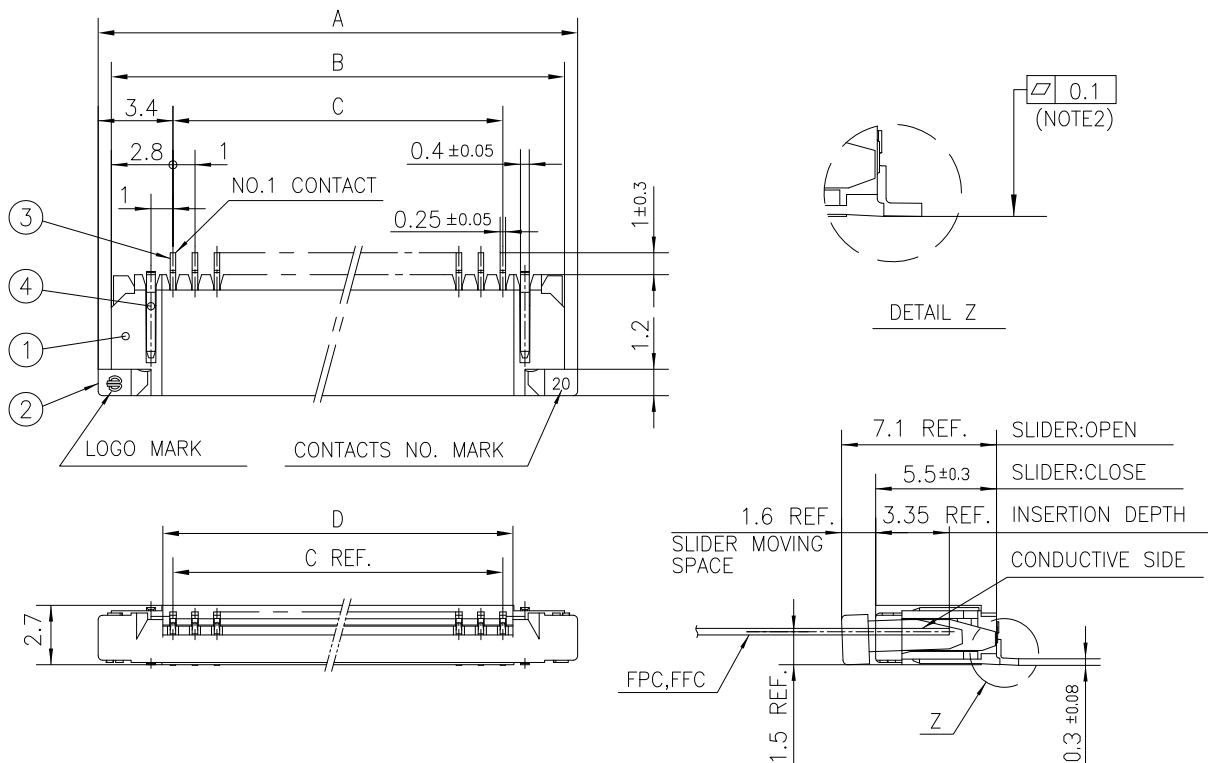
RECOMMENDED PC BOARD LAYOUT (COMPONENT SIDE)



NOTES

1. THIS PRODUCT IS THE CONNECTOR USED FOR FPC/FFC AND COPES WITH AUTOMATIC MOUNTING (SMT).
2. FLATNESS FOR CONTACT TERMINAL HOUSING MUST BE WITHIN TOLERANCE IN Z PORTION DETAILED DRAWING.
3. THIS PRODUCT IS LOWER CONTACT TYPE CONNECTOR WITH CABLE LOCK MECHANISM.
4. THIS PRODUCT MEETS EUROPEAN UNION DIRECTIVES AND OTHER COUNTRY REGULATIONS AS DESCRIBED IN GS-22-008.
5. THE HOUSING WILL WITHSTAND EXPOSURE TO 260°C PEAK TEMPERATURE FOR 10 SECONDS IN A REFLOW SOLDERING OVEN.

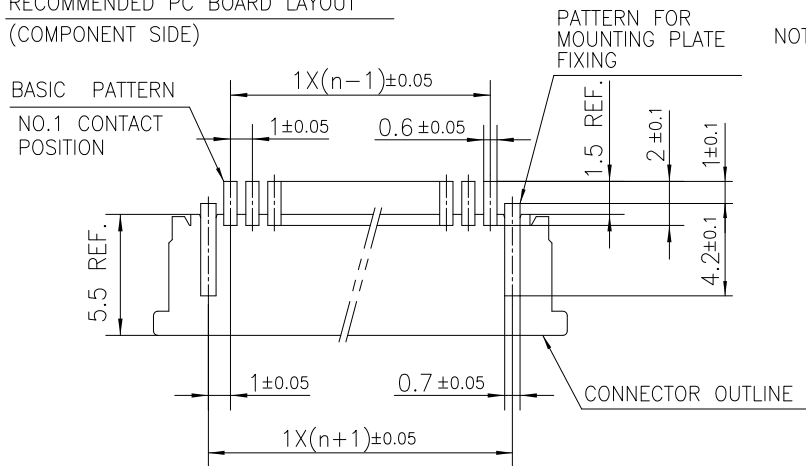
mat'l. code		surface ISO 1302		tolerance ISO 406 ISO 1101		projection		product family	
-		✓						58RF	
ltr	ecn no	dr	date	tolerances unless otherwise specified		MM		title	
B				angles	linear			1mm SPACING SMT CONNECTOR (Cat. No. SFW__R-3ST__HLF)	
				dr	S.WATANABE	2019-3-25		dwg no	
				enr	S.WATANABE	2019-3-25		sheet 3 of 9	
				chr	S-H.THIO	2019-3-25		10118875	
				app	Y.KAMEDA	2019-3-25		A4	
sheet index		revision sheet						type Product Customer Drawing	



PT. NO.	PARTS NAME	MATERIAL	Q'TY	NOTE
1	HOUSING	PPS RESIN GLASS REINFORCED (UL94V-0)	1	COLOR : GRAY
2	SLIDER		1	COLOR : GRAY
3	CONTACT	PHOSPHOR BRONZE	n	PLATING : TIN
4	MOUNTING PLATE		2	

n : NO. OF CONTACTS

RECOMMENDED PC BOARD LAYOUT (COMPONENT SIDE)



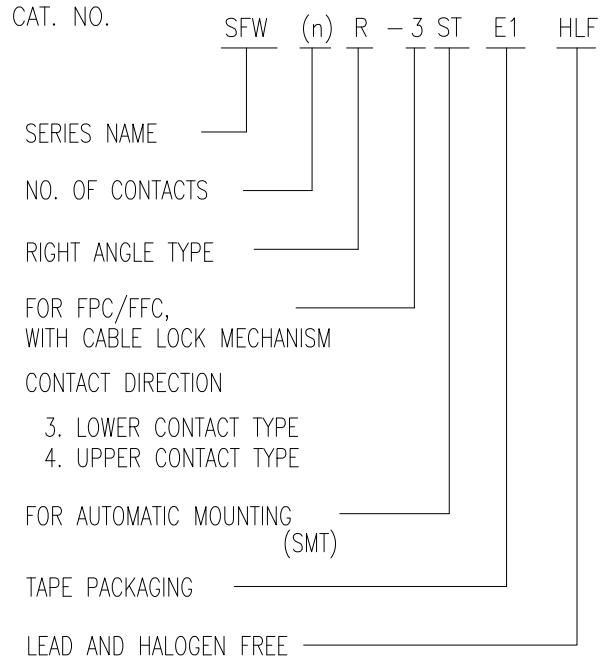
NOTES

1. THIS PRODUCT IS THE CONNECTOR USED FOR FPC/FFC AND COPES WITH AUTOMATIC MOUNTING (SMT).
2. FLATNESS FOR CONTACT TERMINAL HOUSING MUST BE WITHIN TOLERANCE IN Z PORTION DETAILED DRAWING.
3. THIS PRODUCT IS UPPER CONTACT TYPE CONNECTOR WITH CABLE LOCK MECHANISM.
4. THIS PRODUCT MEETS EUROPEAN UNION DIRECTIVES AND OTHER COUNTRY REGULATIONS AS DESCRIBED IN GS-22-008.
5. THE HOUSING WILL WITHSTAND EXPOSURE TO 260°C PEAK TEMPERATURE FOR 10 SECONDS IN A REFLOW SOLDERING OVEN.

mat'l. code		surface ISO 1302		tolerance ISO 406 ISO 1101		projection		product family			
-		✓				⊕		58RF			
ltr	ecn no	dr	date	tolerances unless otherwise specified				title			
B				angles		±0.2		1mm SPACING SMT CONNECTOR (Cat. No. SFW__R-4ST__HLF)			
				linear				MM			
								scale		X	
		dr	S.WATANABE	2019-3-25		Amphenol FCI		dwg no		sheet 4 of 9	
		enr	S.WATANABE	2019-3-25				10118875		A4	
		chr	S-H.THIO	2019-3-25							
		appd	Y.KAMEDA	2019-3-25							
sheet index	revision sheet										

CAT. NO. & DIMENSIONS

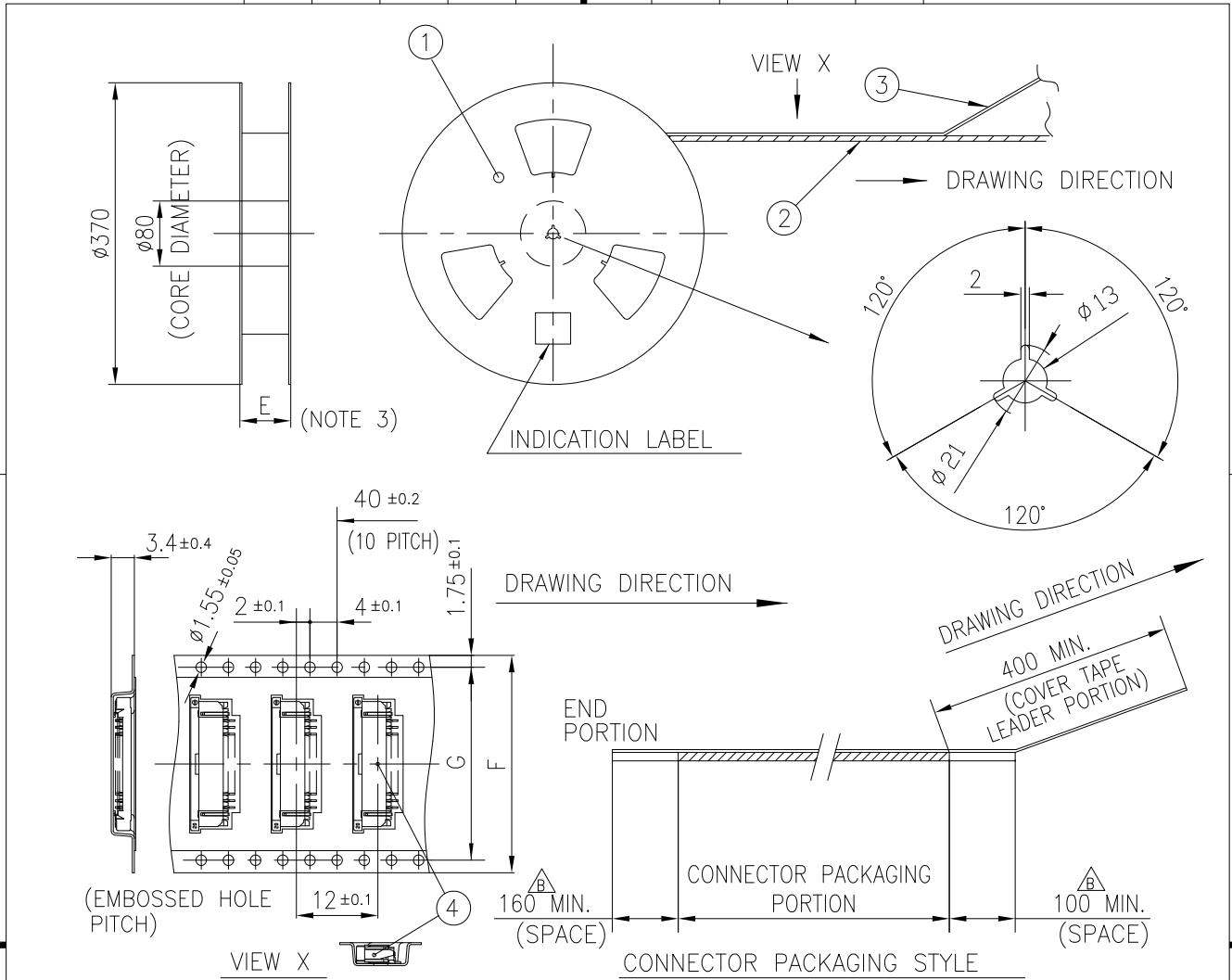
NO. OF CONTACTS (n)	CAT. NO. (NOTE2)	DIMENSIONS (NOTE3)		
		E ± 5	F ± 0.3	G ± 0.1
4	SFW4R-3/4STE1HLF	20.4	16	—
5	SFW5R-3/4STE1HLF	28.4	24	—
6	SFW6R-3/4STE1HLF	28.4	24	—
7	SFW7R-3/4STE1HLF	28.4	24	—
8	SFW8R-3/4STE1HLF	28.4	24	—
9	SFW9R-3/4STE1HLF	28.4	24	—
10	SFW10R-3/4STE1HLF	28.4	24	—
11	SFW11R-3/4STE1HLF	28.4	24	—
12	SFW12R-3/4STE1HLF	28.4	24	—
13	SFW13R-3/4STE1HLF	36.4	32	28.4
14	SFW14R-3/4STE1HLF	36.4	32	28.4
15	SFW15R-3/4STE1HLF	36.4	32	28.4
16	SFW16R-3/4STE1HLF	36.4	32	28.4
17	SFW17R-3/4STE1HLF	48.4	44	40.4
18	SFW18R-3/4STE1HLF	48.4	44	40.4
19	SFW19R-3/4STE1HLF	48.4	44	40.4
20	SFW20R-3/4STE1HLF	48.4	44	40.4
21	SFW21R-3/4STE1HLF	48.4	44	40.4
22	SFW22R-3/4STE1HLF	48.4	44	40.4
23	SFW23R-3/4STE1HLF	48.4	44	40.4
24	SFW24R-3/4STE1HLF	48.4	44	40.4
25	SFW25R-3/4STE1HLF	48.4	44	40.4
26	SFW26R-3/4STE1HLF	48.4	44	40.4
27	SFW27R-3/4STE1HLF	48.4	44	40.4
28	SFW28R-3/4STE1HLF	60.4	56	52.4
29	SFW29R-3/4STE1HLF	60.4	56	52.4
30	SFW30R-3/4STE1HLF	60.4	56	52.4



NOTES

1. THIS PRODUCT IS THE CONNECTOR USED FOR FPC/FFC AND COPEs WITH AUTOMATIC MOUNTING (SMT).
2. THIS CATALOG NO. INDICATES PLASTIC TAPE PACKAGED CONNECTOR.
3. SEE PART DRAWINGS FOR DIMENSIONS E~G.
4. THIS PRODUCT IS THE CONNECTOR WITH CABLE LOCK MECHANISM.

mat'l. code		surface ISO 1302 <input checked="" type="checkbox"/>		tolerance ISO 406 ISO 1101		projection		product family 58RF	
ltr	ecn no	dr	date	tolerances unless otherwise specified		MM		title	
B				angles	linear	scale N/A		CAT NO. TABLE FOR PLASTIC TAPE PACKAGED 1mm SPACING SMT CONNECTOR (Cat. No. SFW__R-3/4STE1HLF)	
				dr	S.WATANABE	2019-3-25		dwg no sheet 5 of 9 size	
				enr	S.WATANABE	2019-3-25		10118875 A4	
				chr	S-H.THIO	2019-3-25			
				appd	Y.KAMEDA	2019-3-25		type Product Customer Drawing	
sheet index	revision sheet								

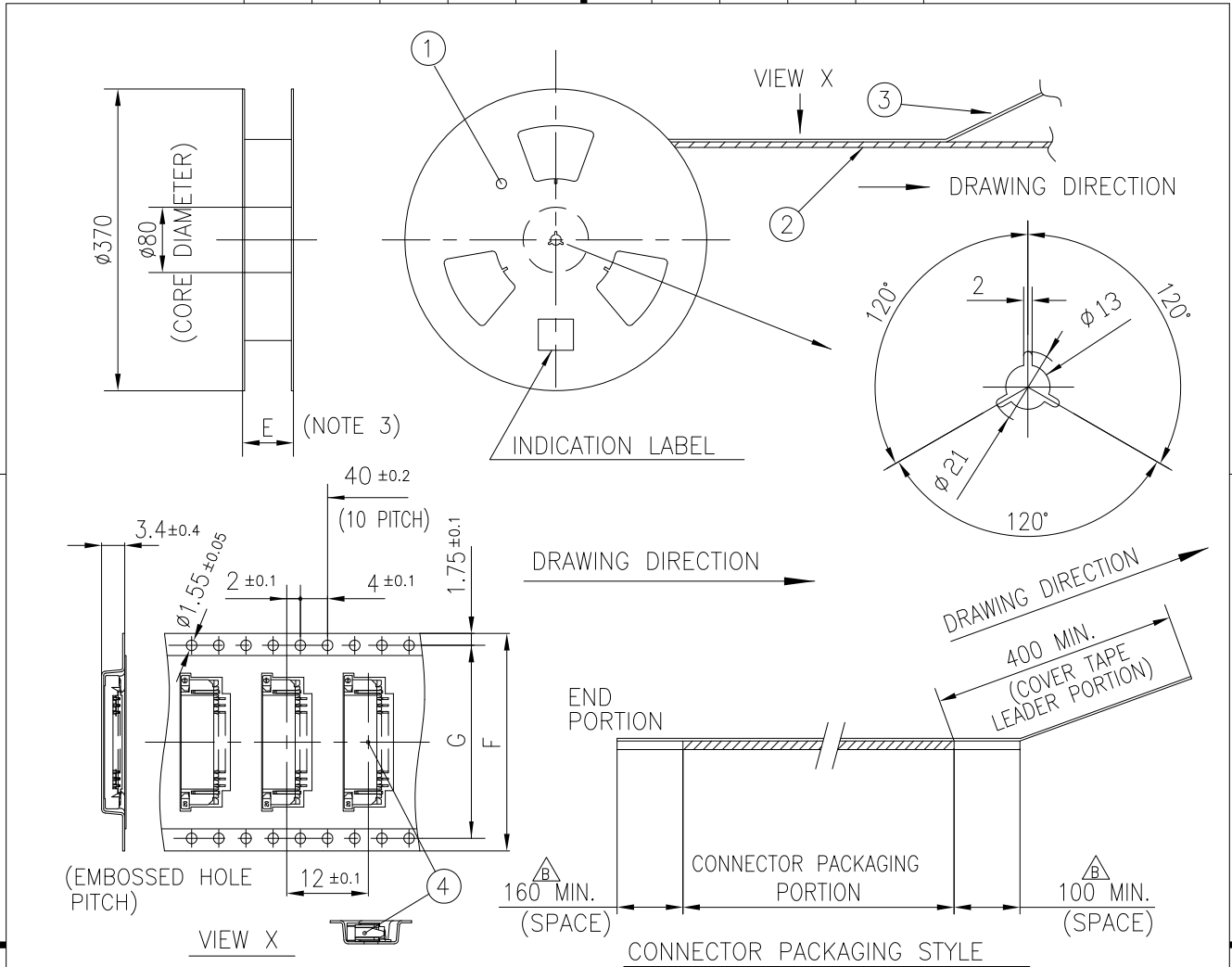


PT. NO.	PARTS NAME	CAT. NO.	MATERIAL	Q'TY	NOTE
1	REEL	_____	CARDBOARD	1	COLOR:WHITE
2	PLASTIC (EMBOSS) TAPE	_____	$\Delta$ PS or A-PET	_____	COLOR:TRANSPARENCY
3	COVER	_____	$\Delta$ POLYESTER,POLYETHYLENE	_____	COLOR:TRANSPARENCY
4	CONNECTOR	SFW__R-3ST__HLF	SEE SHEET3	2000	LOWER CONTACT TYPE

NOTES

1. THIS IS PLASTIC TAPE PACKAGED CONNECTOR WITH CABLE LOCK MECHANISM USED FOR FPC/FFC AND COPEs WITH AUTOMATIC MOUNTING (SMT).
2. SEE JIS C 0806 (PACKING OF ELECTRONIC COMPONENTS ON CONTINUOUS TAPES (SURFACE MOUNTING DEVICES)) FOR SHAPE AND DIMENSIONS OF PLASTIC (EMBOSS) TAPE AND REEL.
3. E DIMENSION IS PORTION OF THE CORE.

mat'l. code		surface		tolerance		projection		product family	
-		ISO 1302 <input checked="" type="checkbox"/>		ISO 406 ISO 1101				58RF	
ltr	ecn no	dr	date			tolerances unless otherwise specified		title	
B						angles		1mm SPACING SMT CONNECTOR	
						linear		(Cat. No. SFW__R-3STE1HLF)	
						±5°		scale N/A	
			dr	S.WATANABE	2019-3-25			dwg no	
			enr	S.WATANABE	2019-3-25			sheet 6 of 9	
			chr	S-H.THIO	2019-3-25			10118875	
			appd	Y.KAMEDA	2019-3-25			A4	
sheet index		revision sheet						type Product Customer Drawing	



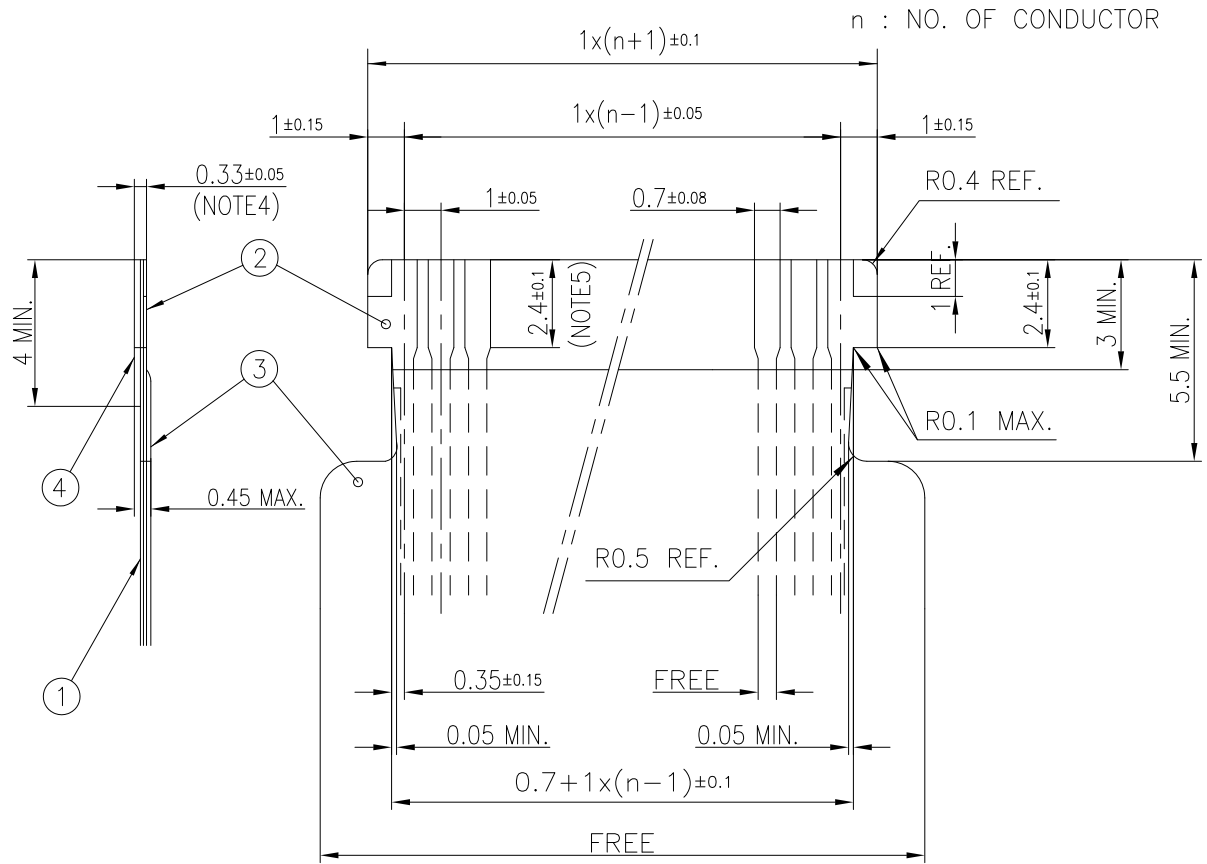
PT. NO.	PARTS NAME	CAT. NO.	MATERIAL	Q'TY	NOTE
1	REEL	—	CARDBOARD	1	COLOR:WHITE
2	PLASTIC (EMBOSS) TAPE	—	△ PS or A-PET	—	COLOR:TRANSPARENCY
3	COVER	—	△ POLYESTER,POLYETHYLENE	—	COLOR:TRANSPARENCY
4	CONNECTOR	SFW__R-4ST__HLF	SEE SHEET4	2000	UPPER CONTACT TYPE

NOTES

- THIS IS PLASTIC TAPE PACKAGED CONNECTOR WITH CABLE LOCK MECHANISM USED FOR FPC/FFC AND COPES WITH AUTOMATIC MOUNTING (SMT).
- SEE JIS C 0806 (PACKING OF ELECTRONIC COMPONENTS ON CONTINUOUS TAPES (SURFACE MOUNTING DEVICES)) FOR SHAPE AND DIMENSIONS OF PLASTIC (EMBOSS) TAPE AND REEL.
- E DIMENSION IS PORTION OF THE CORE.

mat'l. code		surface ISO 1302 ✓		tolerance ISO 406 ISO 1101		projection		product family			
—								58RF			
ltr	ecn no	dr	date	tolerances unless otherwise specified		MM		title			
B				angles	±5			PLASTIC TAPE PACKAGED 1mm SPACING SMT CONNECTOR (Cat. No. SFW__R-4STE1HLF)			
				linear	±5°	scale N/A		dwg no			
				dr	S.WATANABE	2019-3-25			sheet 7 of 9 size		
				enr	S.WATANABE	2019-3-25			10118875		△4
				chr	S-H.THIO	2019-3-25			type		Product Customer Drawing
				appd	Y.KAMEDA	2019-3-25					
sheet index	revision sheet										

RECOMMENDED CABLE (FPC)



PT. NO.	PARTS NAME	MATERIAL	THICKNESS(um)
1	BASE FILM	POLYIMIDE OR POLYESTER OR EQUAL	25
2	CONDUCTOR	COPPER FOIL(PLATING: TIN OR SOLDER 1um MIN.)	35
3	OVERLAY	POLYIMIDE OR POLYESTER OR EQUAL	—
4	SUPPORTING TAPE	POLYESTER OR POLYIMIDE OR EQUAL	188

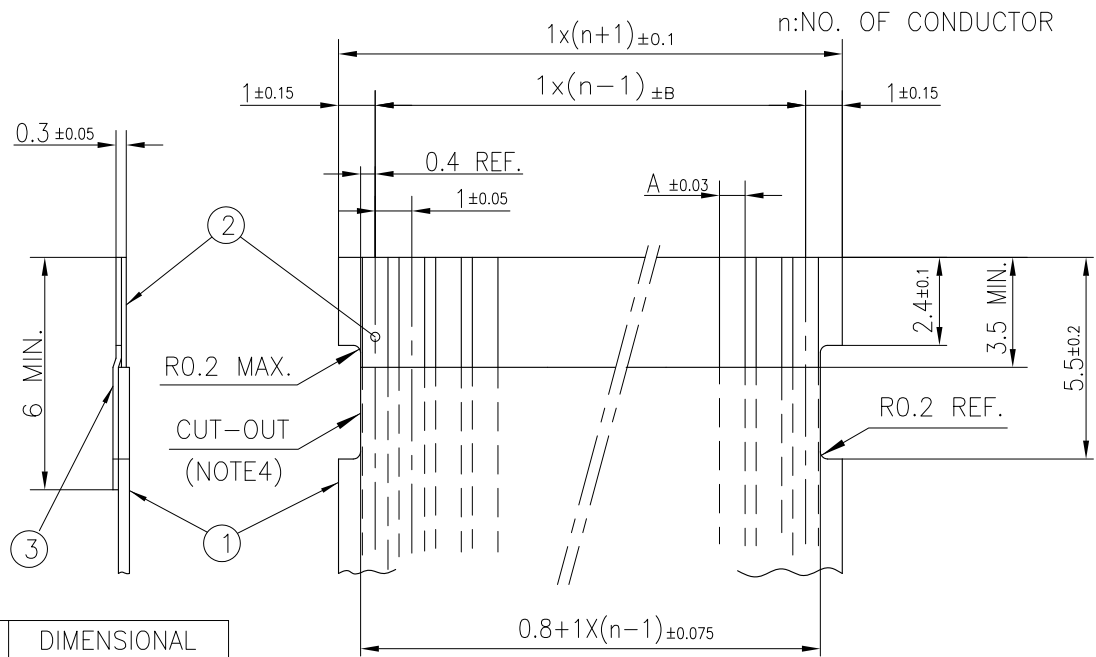
NOTES

1. THIS DRAWING INDICATES THE FPC USED THE CONNECTOR WITH CABLE LOCK MECHANISM.
2. NO BURR AT EACH PORTION.
3. NO PEELING IN COMMON USE.
4. TOTAL THICKNESS LIMIT OF EACH MATERIAL (INCLUDING ADHESIVE AGENT) IS SPECIFIED.
5. THIS DIMENSION INDICATES THE RANGE FOR 0.7±0.08 CONDUCTOR WIDTH.

mat'l. code		surface		tolerance		projection		product family		
—		ISO 1302		ISO 406 ISO 1101				58RF		
ltr	ecn no	dr	date	tolerances unless otherwise specified				title		
B				angles	linear	MM		RECOMMENDED CABLE		
						scale 5:1		(Cat. No. SFW__R-3/4ST__HLF)		
		dr	S.WATANABE	2019-3-25				dwg no		
		enr	S.WATANABE	2019-3-25	sheet 8 of 9			size		
		chr	S-H.THIO	2019-3-25	10118875			A4		
		appd	Y.KAMEDA	2019-3-25	type Product Customer Drawing					
sheet index	revision sheet									



RECOMMENDED CABLE (FFC)



KIND OF FFC (NOTE 5)	DIMENSIONAL TOLERANCE	
	A	B
1	0.7	0.1
2	0.6	0.07

PT. NO.	PARTS NAME	MATERIAL	NOTE
1	INSULATOR	FLAME RESISTING POLYESTER OR EQUAL	_____
2	CONDUCTOR	COPPER FOIL	PLATING : TIN OR SOLDER 1um MIN.
3	SUPPORTING TAPE	FLAME RESISTING POLYESTER OR EQUAL	_____

- NOTES
1. THIS DRAWING INDICATES THE FFC USED THE CONNECTOR WITH CABLE LOCK MECHANISM.
  2. NO BURR AT EACH PORTION.
  3. NO PEELING IN COMMON USE.
  4. THERE IS A POSSIBILITY THAT THE CAT-OUT CROSSES THE CONDUCTOR BECAUSE OF DIMENSIONAL TOLERANCE.
  5. EITHER KIND1 OR KIND2 OF FFC CAN ACCEPT DIMENSIONAL TOLERANCE a AND b.

mat'l. code		surface ISO 1302		tolerance ISO 406 ISO 1101		projection		product family	
_		✓		ISO 406 ISO 1101		⊕		58RF	
ltr	ecn no	dr	date	tolerances unless otherwise specified		MM		title	
B				angles	linear	← →		RECOMMENDED CABLE (Cat. No. SFW__R-3/4ST__HLF)	
				dr	S.WATANABE	2019-3-25	scale 5:1		dwg no
				enr	S.WATANABE	2019-3-25	Amphenol FCI		sheet 9 of 9
				chr	S-H.THIO	2019-3-25	10118875		A4
				appd	Y.KAMEDA	2019-3-25	type Product Customer Drawing		
sheet index	revision sheet								

Amphenol FCI

© 2016 AFCl