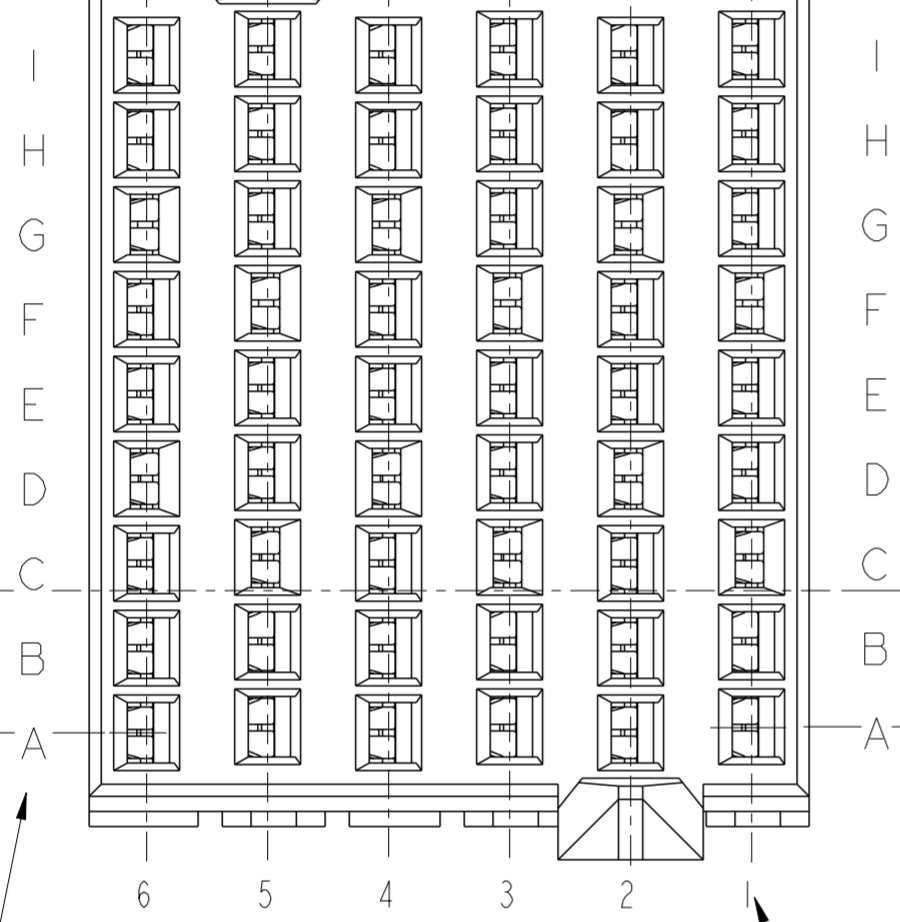


PRODUCT NUMBER
SEE SHEET 3

11.90±0.10
NOTE 6
10
5X 2

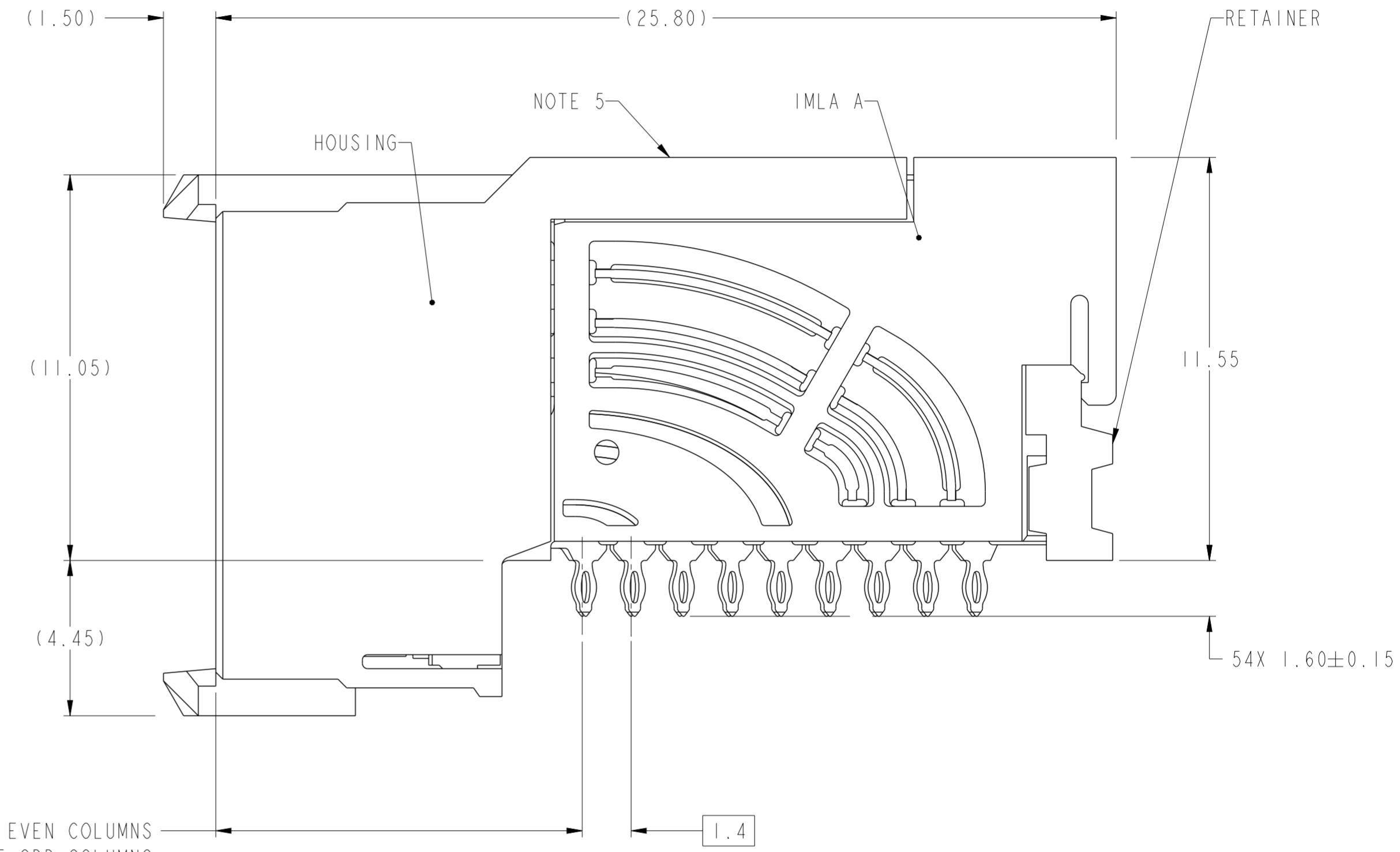


TOP SURFACE OF DAUGHTER CARD

COLUMN ID
ODD COLUMN, CONTACT ROW ID

EVEN COLUMN, CONTACT ROW ID
ODD AND EVEN COLUMNS ARE OFFSET

10.50¢ OF EVEN COLUMNS
10.60¢ OF ODD COLUMNS



spec ref	---	dr	Lin-Soo Ngwe	2012/08/31	projection	MM	size	A2	scale	1:1	
tolerance std	ASME Y14.5M	eng	Terry Luo	2020/09/04			ecn no	ELX-DG-38252-1	rel level	Released	
TOLERANCES UNLESS OTHERWISE SPECIFIED		chr	-	product family			AirMax VSE				
surface	-	appr	Heaven Cen	2020/09/17			rel level	Released			
		linear	0.X	±.3	Amphenol FCI	AIRMAX VS2 R.A. RECEPTACLE ASS'Y, 3 PAIR, 54 POS, 6 IMLA, 12MM, GXT+	dwg no 10122643	rev E	cat. no. -	Product - Customer Drw	sheet 1 of 3
			0.XX	±.10							
			0.XXX	±.050							
		angular	0°	±°							

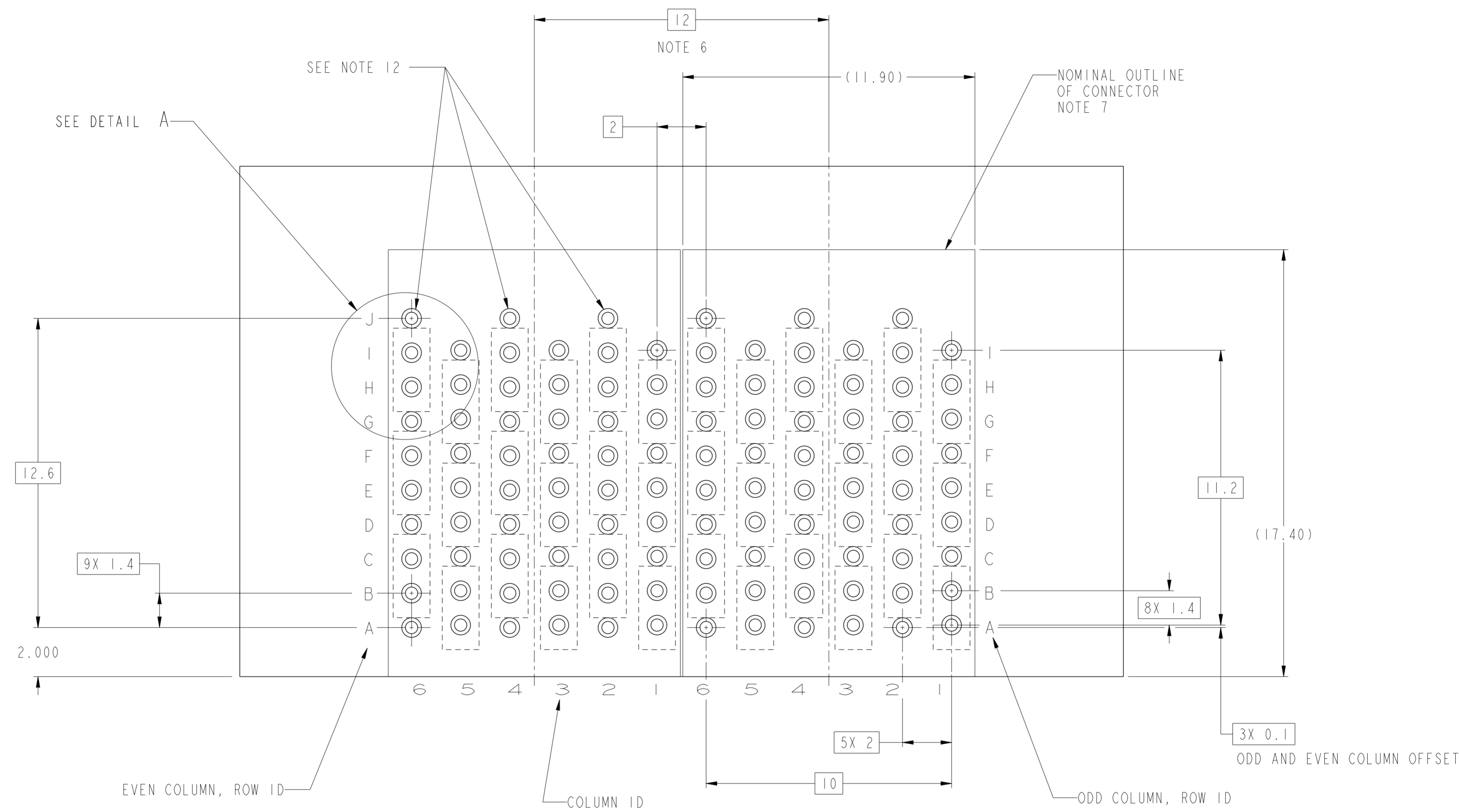
PDS: Rev :E

STATUS:Released

Printed: Sep 18, 2020

Amphenol FCI

© 2016 AFCI



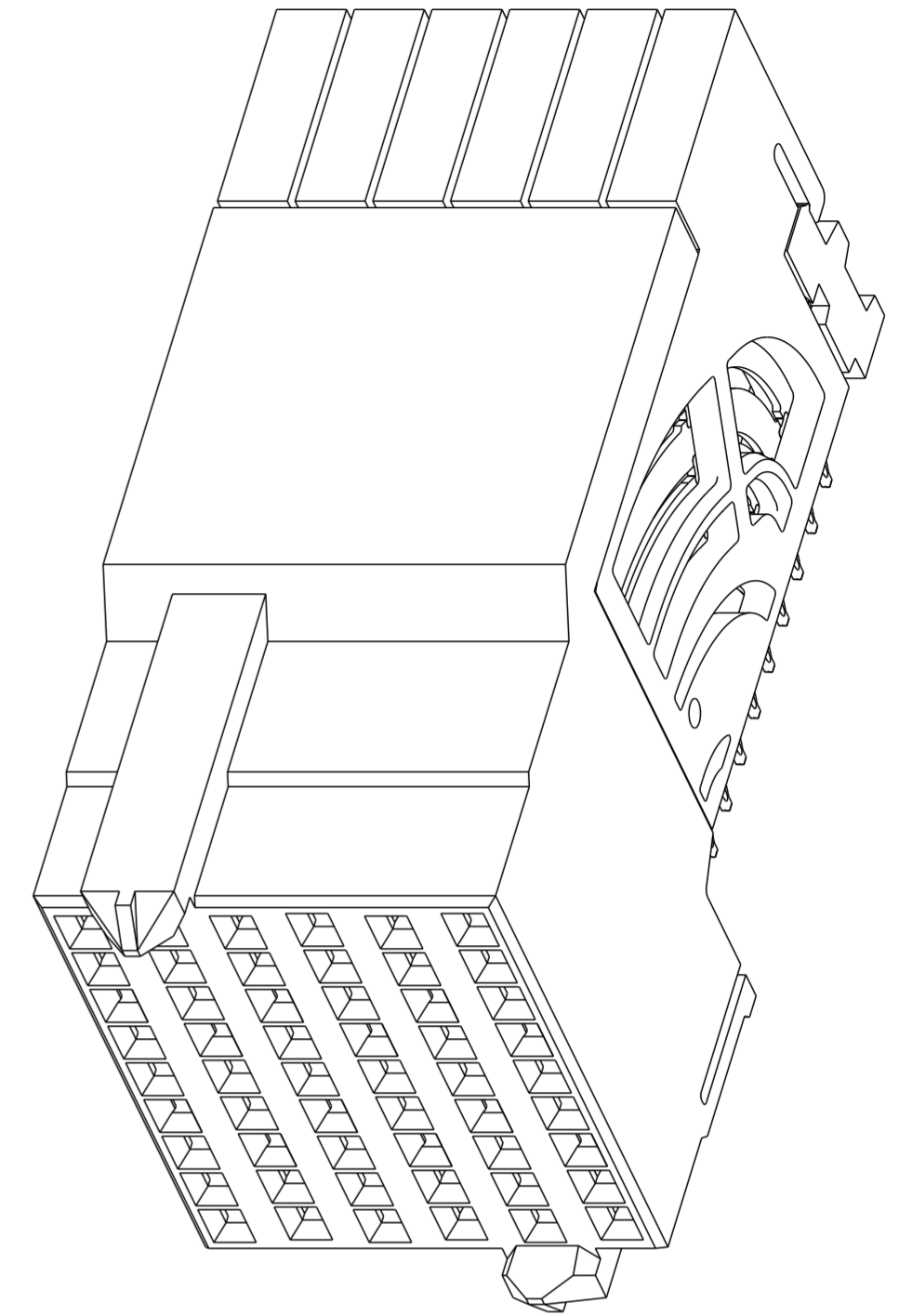
RECOMMENDED PCB LAYOUT
FOR DIFFERENTIAL APPLICATIONS
COMPONENT SIDE
(TWO ADJACENT FOOTPRINTS SHOWN)
NOTES 6, 8, & 11

spec ref	---	dr	Lin-Soe Ngwe	2012/08/31	projection	MM	size	A2	scale	1:1	
tolerance std	ASME Y14.5M	eng	Terry Luo	2020/09/04			ecn no	ELX-DG-38252-1	rel level	Released	
TOLERANCES UNLESS OTHERWISE SPECIFIED		chr	-	product family			AirMax VSE				
surface	-	appr	Heaven Cen	2020/09/17			div no	10122643		rev	E
	linear	0.X	±.3		title		AIRMAX VS2 R.A. RECEPTACLE		cat. no.	Product - Customer Drw	sheet 2 of 3
		0.XX	±.10		ASS'Y, 3 PAIR, 54 POS, 6 IMLA, 12MM, GXT+						
		0.XXX	±.050								
	angular	0°	±°								

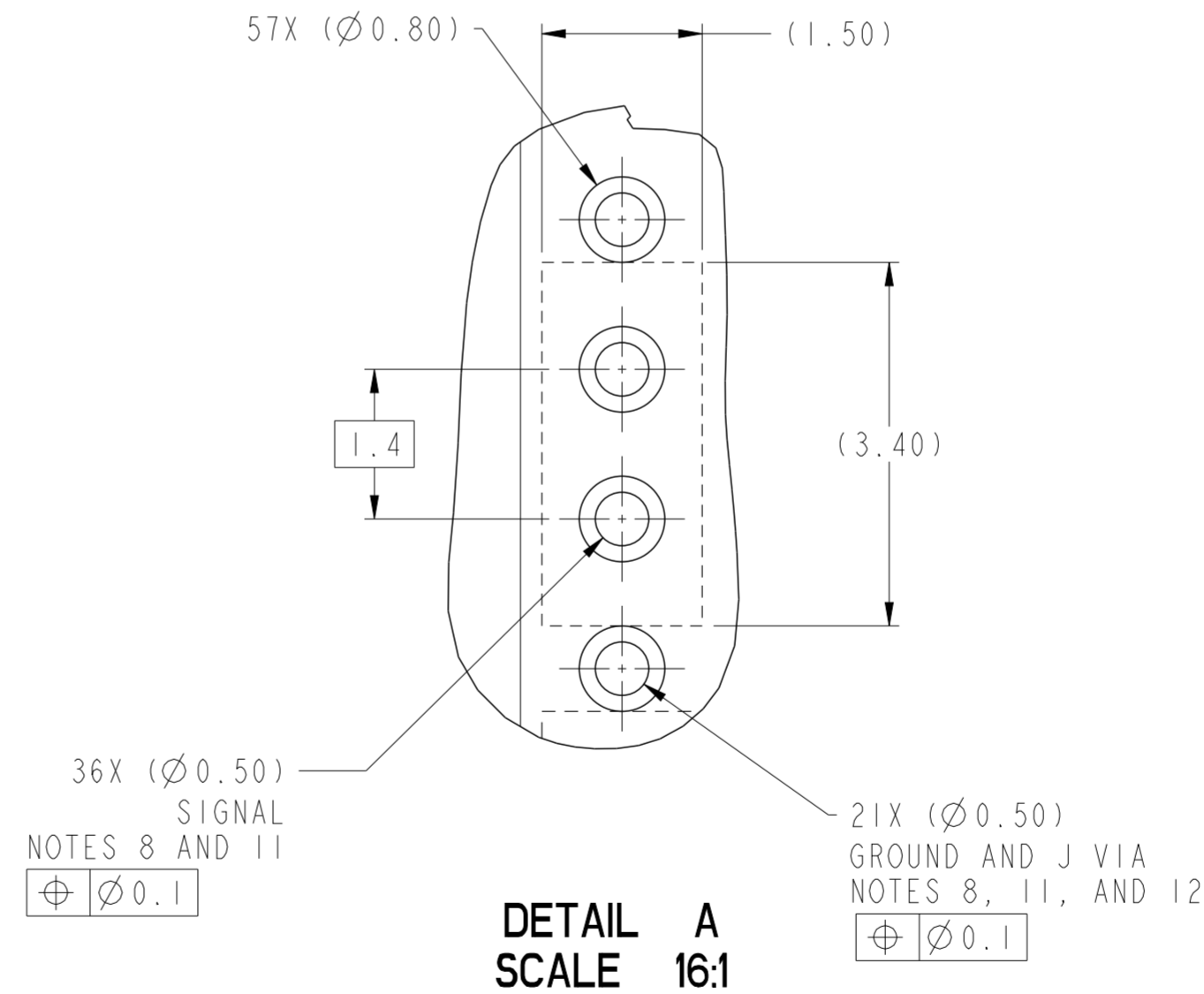
PRODUCT NUMBER	PRESS-FIT TAIL PLATING TYPE
10122643-101	TIN/LEAD ALLOY OVER NICKEL
10122643-101LF	TIN OVER NICKEL (LEAD FREE)

- ① - CONNECTOR MATERIALS:
HOUSING: HIGH TEMP THERMOPLASTIC, NATURAL, UL94-V0
IMLA PLASTIC: HIGH TEMP THERMOPLASTIC, BLACK, UL94-V0
CONTACT: COPPER ALLOY
ORGANIZER: HIGH TEMP THERMOPLASTIC, WHITE, UL94-V0
- 2 - CONTACT PLATING:
SEPARABLE INTERFACE:
PERFORMANCE-BASED PLATING, QUALIFIED TO MEET THE REQUIREMENTS OF FCI PRODUCT SPECIFICATION GS-12-0956 INCLUDING TELCORDIA GR-1217-CORE (NOVEMBER 1995) CENTRAL OFFICE TEST SEQUENCE

PRESS-FIT TAILS: SEE TABLE
- 3 - PRODUCT SPECIFICATION: GS-12-0956
- 4 - APPLICATION SPECIFICATION: GS-20-0305.
- ⑤ - PRODUCT MARKING, (PART NUMBER & LOT CODE), ON THIS SURFACE.
- ⑥ - THE MINIMUM CENTERLINE SPACING BETWEEN ADJACENT MODULES IS 12.0 MM.
- ⑦ - CONNECTOR OUTLINE MAY BE SCREEN PRINTED ONTO CUSTOMER PCB TO BE USED AS A GUIDE FOR MANUAL CONNECTOR PLACEMENT.
- ⑧ - REFER TO CUSTOMER DRAWING 10104444 FOR INFORMATION ON PCB HOLE DIAMETERS AND PLATING OPTIONS
- 9 - LEAD FREE PRODUCT MEETS THE EUROPEAN UNION DIRECTIVES & OTHER COUNTRY REGULATIONS AS DESCRIBED IN GS-22-008
- 10 - PACKAGING MEETS GS-14-920 LEAD FREE LABELING SPECIFICATION.
- ⑪ - GROUND CONTACTS (C,F, AND I IN ODD COLUMNS AND A, D, AND G, EVEN COLUMNS) REQUIRE (Ø0.500) FINISHED HOLES. SIGNAL LOCATIONS REQUIRE (Ø0.500) FINISHED HOLES.
- ⑫ - THESE OUTER VIAS (J) ARE OPTIONAL. WHILE NO CONNECTOR EONS ARE PRESSED INTO THESE HOLES WE RECOMMEND (Ø0.500) FINISHED HOLES AT THESE LOCATIONS TO PROVIDE GROUND SYMMETRY THROUGH THE PCB.



10122643-101 OR -101LF



Amphenol FCI

© 2016 AFCI

spec ref	---	dr	Lin-Soe Ngwe	2012/08/31	projection	MM	size	A2	scale	4:1		
tolerance std	ASME Y14.5M	eng	Terry Luo	2020/09/04	chr	-	ecn no	ELX-DG-38252-1	rel level	Released		
TOLERANCES UNLESS OTHERWISE SPECIFIED		appr	Heaven Cen	2020/09/17	product family							
surface	linear	0.X	±.3	Amphenol FCI	title		AIRMAX VS2 R.A. RECEPTACLE		dwg no	10122643	rev	E
		0.XX	±.10		ASS'Y, 3 PAIR, 54 POS, 6 IMLA, 12MM, GXT+							
		0.XXX	±.050		cat. no.		Product - Customer Drw		sheet 3 of 3			
angular		0°	±°	PDS: Rev :E		STATUS:Released		Printed: Sep 18, 2020				