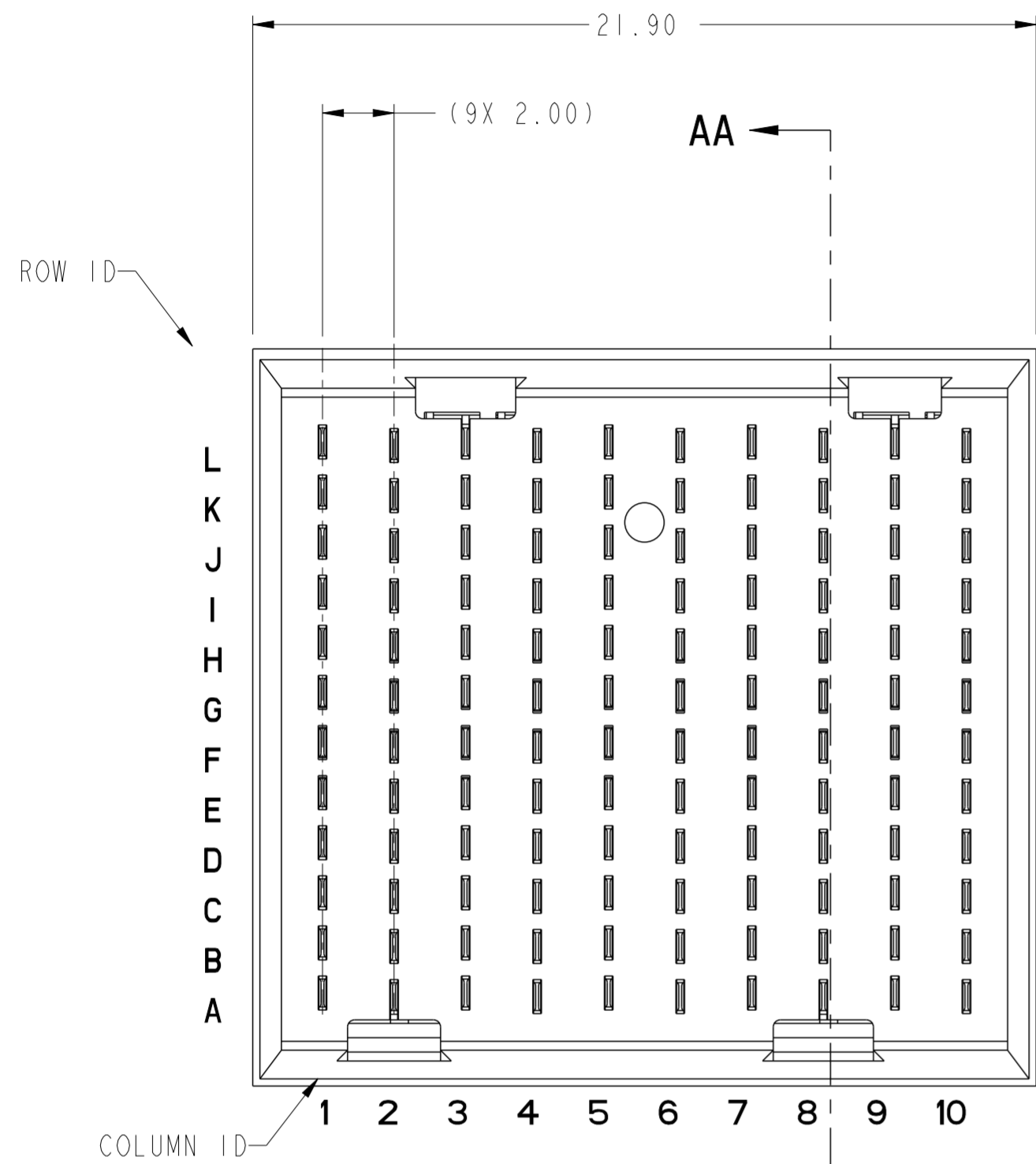
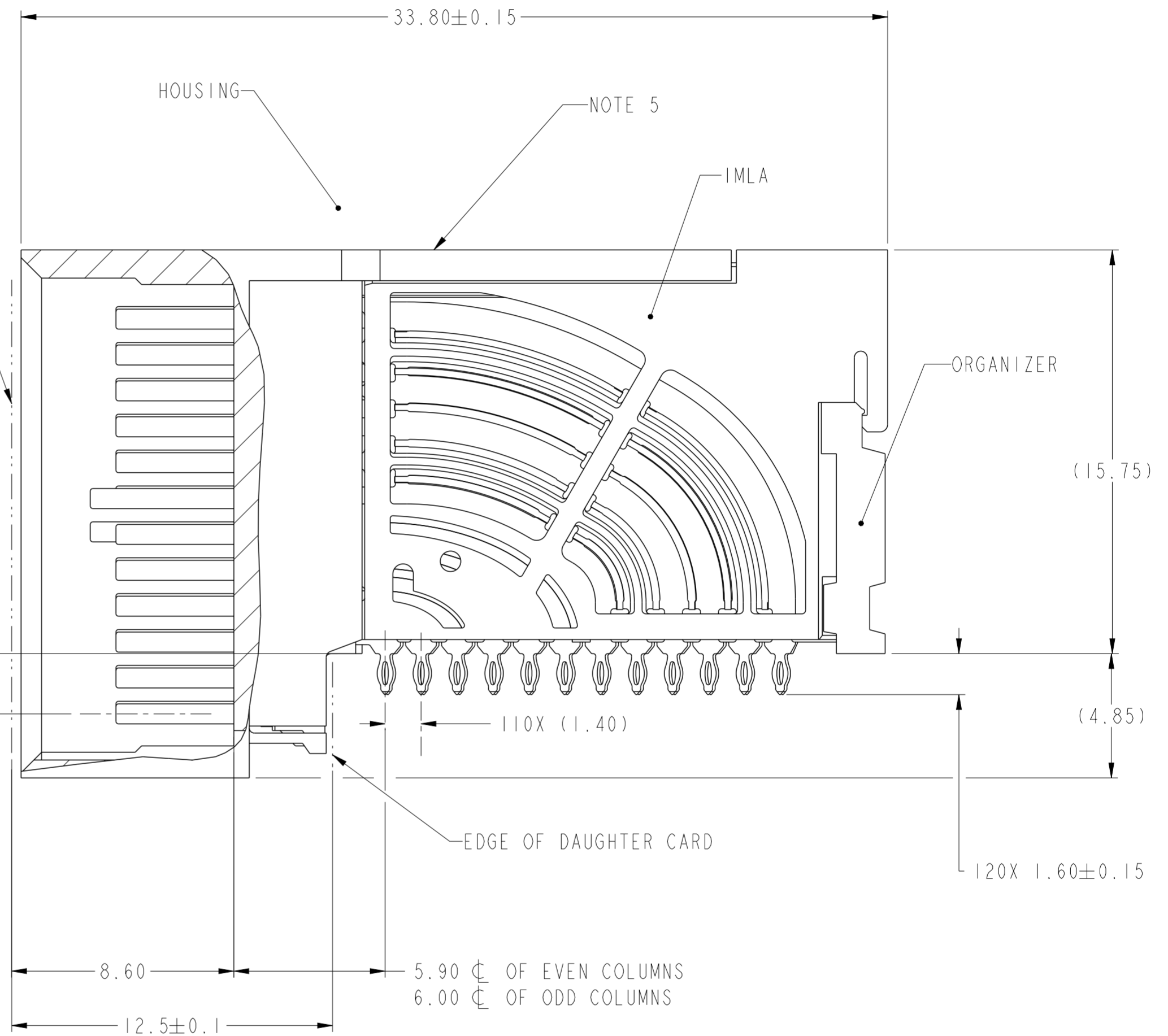


PRODUCT NUMBER  
SEE SHEET 3



2.35  $\phi$  OF EVEN COLUMNS  
2.25  $\phi$  OF ODD COLUMNS



SECTION AA-AA

spec ref	---	dr	Lin-Soo Ngwe	2012/12/05	projection	MM	size	A2	scale	10:1	
tolerance std	ASME Y14.5M	eng	Terry Luo	2020/09/08			ecn no	ELX-DG-38252-1	rev <b>E</b>		
TOLERANCES UNLESS OTHERWISE SPECIFIED		chr	-	appr			Heaven Cen	2020/09/17		rel level	Released
surface	-	linear	0.X	±.3			<b>Amphenol FCI</b>			product family	-
			0.XX	±.10	title AirMax VS2 R.A. HEADER 4 Pair, 120 pos, 2mm, 10 Col, GXT+		cat. no.	-	Product - Customer Drw	sheet 1 of 3	
		angular	0°	±2°			dwg no	10123536			

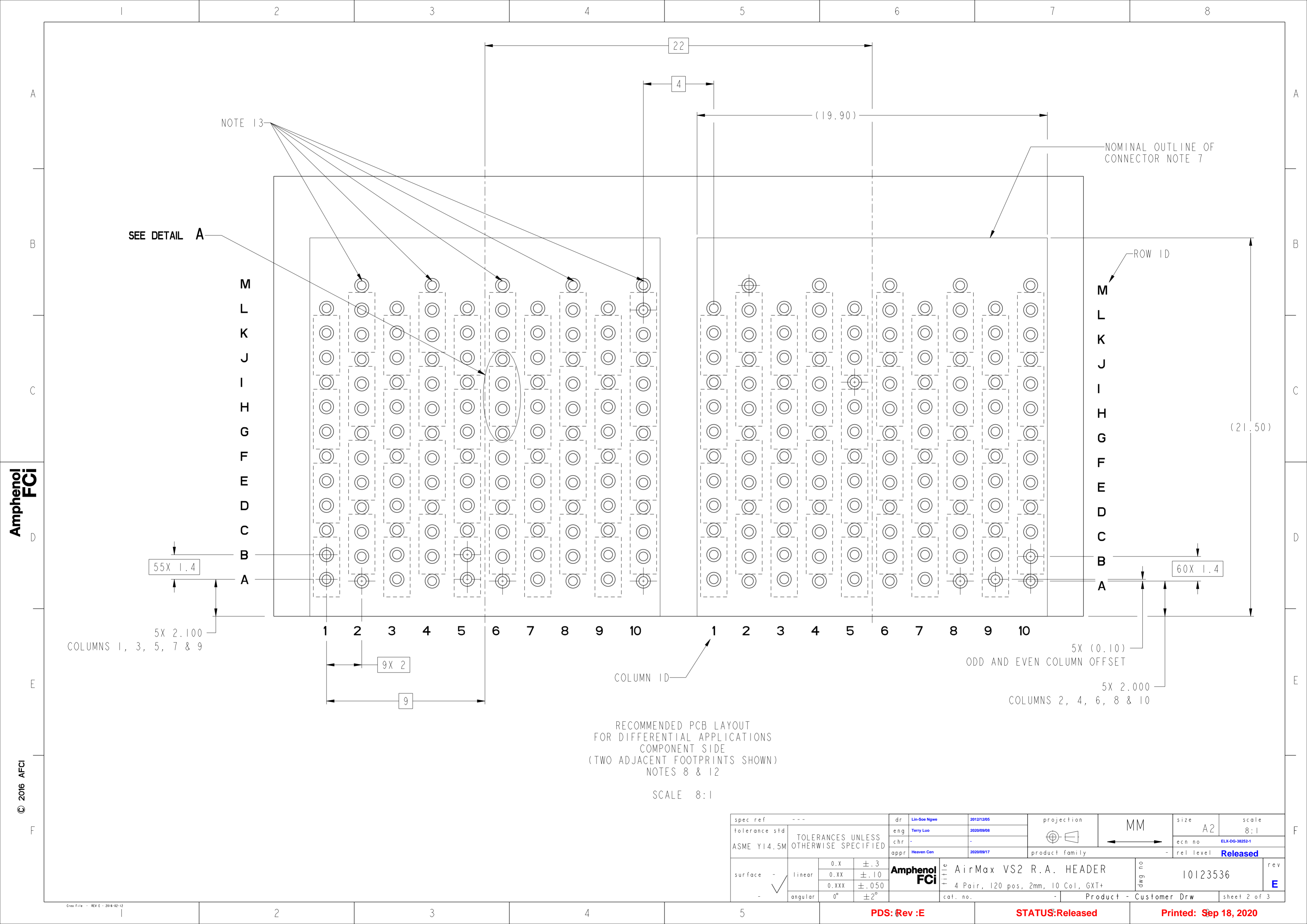
PDS: Rev :E

STATUS:Released

Printed: Sep 18, 2020

Amphenol FCI

© 2016 APCI



NOTE 13

SEE DETAIL A

NOMINAL OUTLINE OF CONNECTOR NOTE 7

ROW ID

M  
L  
K  
J  
I  
H  
G  
F  
E  
D  
C  
B  
A

M  
L  
K  
J  
I  
H  
G  
F  
E  
D  
C  
B  
A

55X 1.4

60X 1.4

5X 2.100  
COLUMNS 1, 3, 5, 7 & 9

9X 2

COLUMN ID

5X (0.10)  
ODD AND EVEN COLUMN OFFSET

5X 2.000  
COLUMNS 2, 4, 6, 8 & 10

(21.50)

RECOMMENDED PCB LAYOUT  
FOR DIFFERENTIAL APPLICATIONS  
COMPONENT SIDE  
(TWO ADJACENT FOOTPRINTS SHOWN)  
NOTES 8 & 12

SCALE 8:1

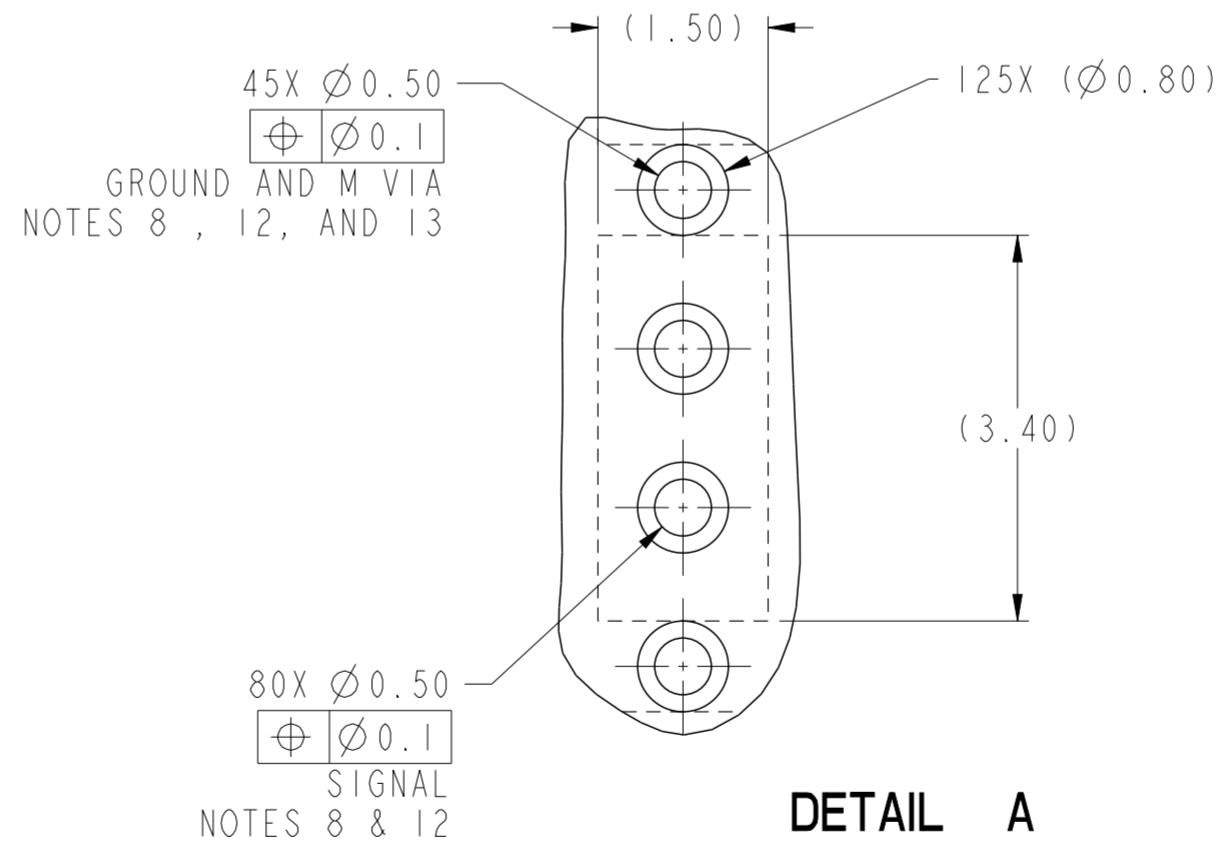
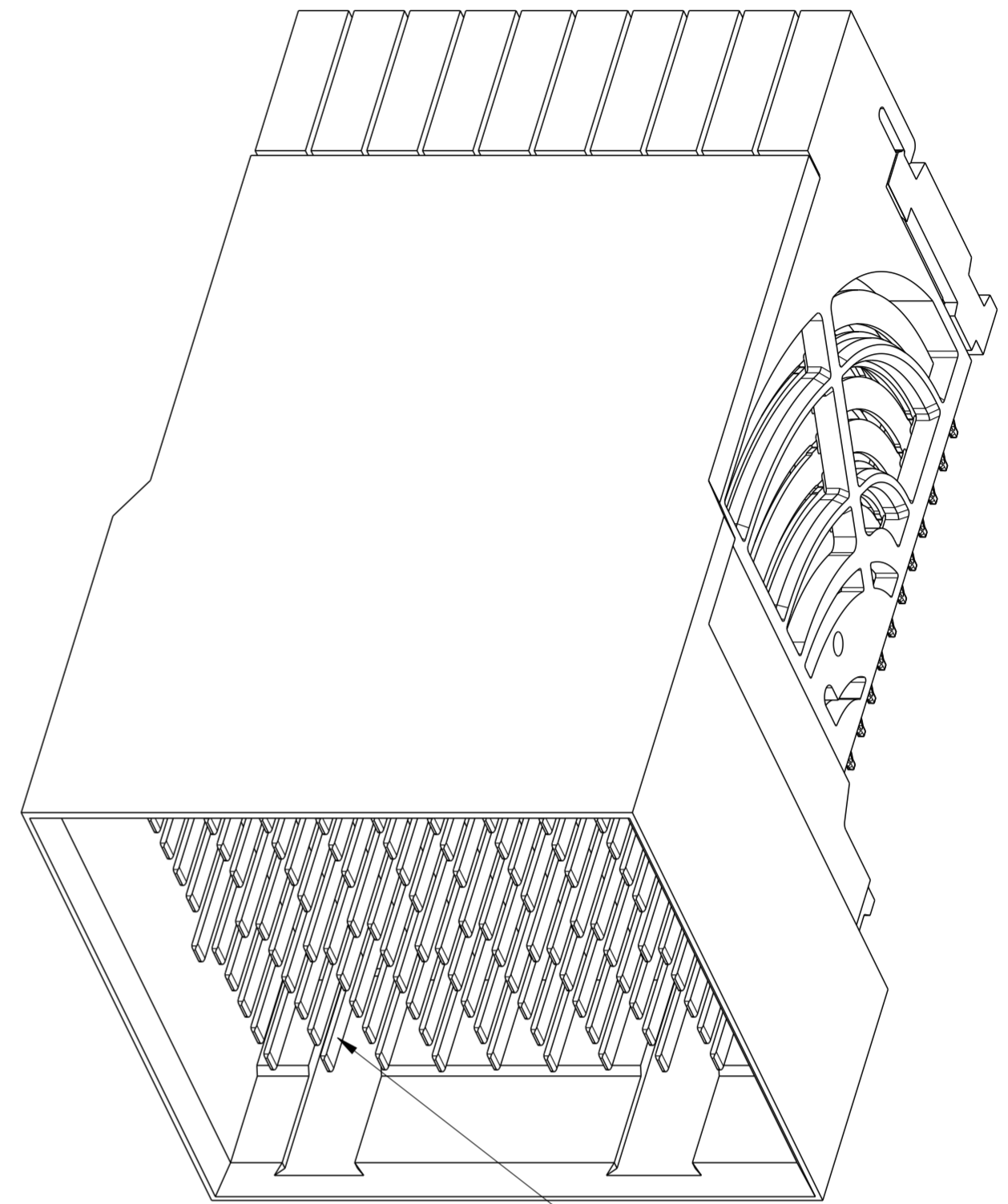
spec ref	---	dr	Lin-Soo Ngwe	2012/12/05	projection	MM	size	A2	scale	8:1
tolerance std	ASME Y14.5M	eng	Terry Luo	2020/09/08			ecn no	ELX-DG-38252-1	rel level Released	
TOLERANCES UNLESS OTHERWISE SPECIFIED		chr	-	cat. no.			-	Product - Customer Drw		
surface	-	appr	Heaven Cen	2020/09/17			product family	-		
	linear	0.X	±.3		title AirMax VS2 R.A. HEADER 4 Pair, 120 pos, 2mm, 10 Col, GXT+		dwg no 10123536	rev E		
		0.XX	±.10		cat. no. -	Product - Customer Drw	sheet 2 of 3			
	angular	0°	±2°		PDS: Rev :E	STATUS:Released	Printed: Sep 18, 2020			

Amphenol  
FCi

© 2016 AFci

PRODUCT NUMBER	PRESS-FIT TAIL PLATING TYPE	REMARK
10123536-101	TIN/LEAD ALLOY OVER NICKEL	1-SIDE PLATING (CUSTOMER SPECIAL)
10123536-101LF	TIN OVER NICKEL (LEAD FREE)	
10123536-102	TIN/LEAD ALLOY OVER NICKEL	2-SIDES PLATING
10123536-102LF	TIN OVER NICKEL (LEAD FREE)	

- ① - CONNECTOR MATERIALS:  
HOUSING: HIGH TEMP THERMOPLASTIC, NATURAL, UL94-V0  
IMLA PLASTIC: HIGH TEMP THERMOPLASTIC, BLACK, UL94-V0  
CONTACT: COPPER ALLOY  
ORGANIZER: HIGH TEMP THERMOPLASTIC, NATURAL, UL94-V0
- 2 - CONTACT PLATING:  
SEPARABLE INTERFACE:  
PERFORMANCE-BASED PLATING, QUALIFIED TO MEET THE REQUIREMENTS OF FCI PRODUCT SPECIFICATION GS-12-0956 INCLUDING TELCORDIA GR-1217-CORE (NOVEMBER 1995) CENTRAL OFFICE TEST SEQUENCE
- PRESS-FIT TAILS: SEE TABLE
- 3 - PRODUCT SPECIFICATION: GS-12-0956
- 4 - APPLICATION SPECIFICATION: GS-20-0305
- ⑤ - PRODUCT MARKING, (PROTOTYPE, PART NUMBER & LOT CODE), ON THIS SURFACE.
- ⑥ - POSITIONS "F" OF ODD NUMBERED COLUMNS AND POSITIONS "G" OF EVEN NUMBERED COLUMNS CORRESPOND TO EARLY MATE HEADER PINS.
- ⑦ - CONNECTOR OUTLINE MAY BE SCREEN PRINTED ONTO CUSTOMER PCB TO BE USED AS A GUIDE FOR CONNECTOR PLACEMENT.
- ⑧ - REFER TO CUSTOMER DRAWING 10104444 FOR INFORMATION ON PCB HOLE DIAMETERS AND PLATING OPTIONS
- 9 - LEAD FREE PRODUCT MEETS THE EUROPEAN UNION DIRECTIVES & OTHER COUNTRY REGULATIONS AS DESCRIBED IN GS-22-008
- 10 - A  $\triangle$  SYMBOL WILL BE NEXT TO ANY DIMENSION, VIEW, OR NOTE, WHICH HAS BEEN MODIFIED WITH THE CURRENT DRAWING REVISION
- 11 - PACKAGING MEETS GS-14-920 LEAD FREE LABELING SPECIFICATION.
- ⑫ - GROUND CONTACTS (C, F, I & L IN ODD COLUMNS AND A, D, G & J IN EVEN COLUMNS) REQUIRE ( $\varnothing 0.50$ ) FINISHED HOLES. SIGNAL LOCATIONS REQUIRE ( $\varnothing 0.50$ ) FINISHED HOLES
- ⑬ - THESE OUTER VIAS (M) ARE OPTIONAL. WHILE NO CONNECTOR EONS ARE PRESSED INTO THESE HOLES WE RECOMMEND ( $\varnothing 0.500$ ) FINISHED HOLES AT THESE LOCATIONS TO PROVIDE GROUND SYMMETRY THROUGH THE PCB.



10123536-101 OR -101LF  
10123536-102 OR -102LF

spec ref	---	dr	Lin-Soe Ngwe	2012/12/05	projection	MM	size	A2	scale	10:1		
tolerance std	ASME Y14.5M	eng	Terry Luo	2020/09/08	chr	-	ecn no	ELX-DG-38252-1	rel level	Released		
TOLERANCES UNLESS OTHERWISE SPECIFIED		appr	Heaven Cen	2020/09/17	product family	-	cat. no.	-	Product - Customer Drw	sheet 3 of 3		
surface	-	linear	0.X	$\pm .3$	Amphenol FCi	title	AirMax VS2 R.A. HEADER	4 Pair, 120 pos, 2mm, 10 Col, GXT+	dwg no	10123536	rev	E
		0.XX	$\pm .10$									
		0.XXX	$\pm .050$									
		angular	0°	$\pm 2^\circ$								