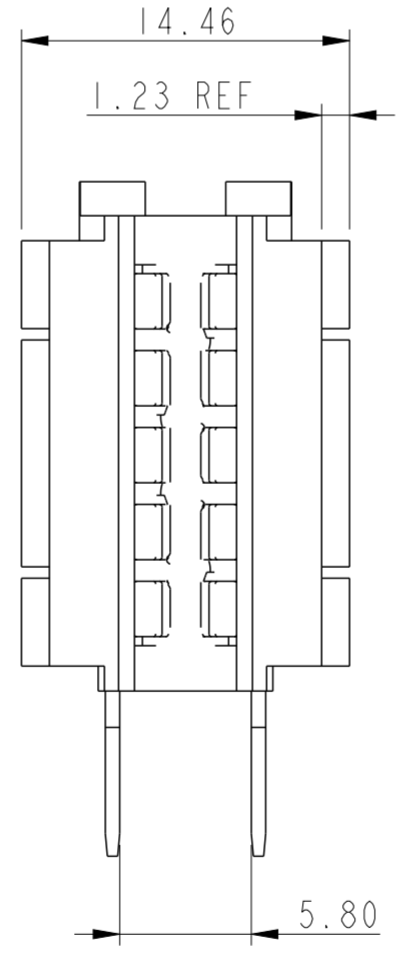
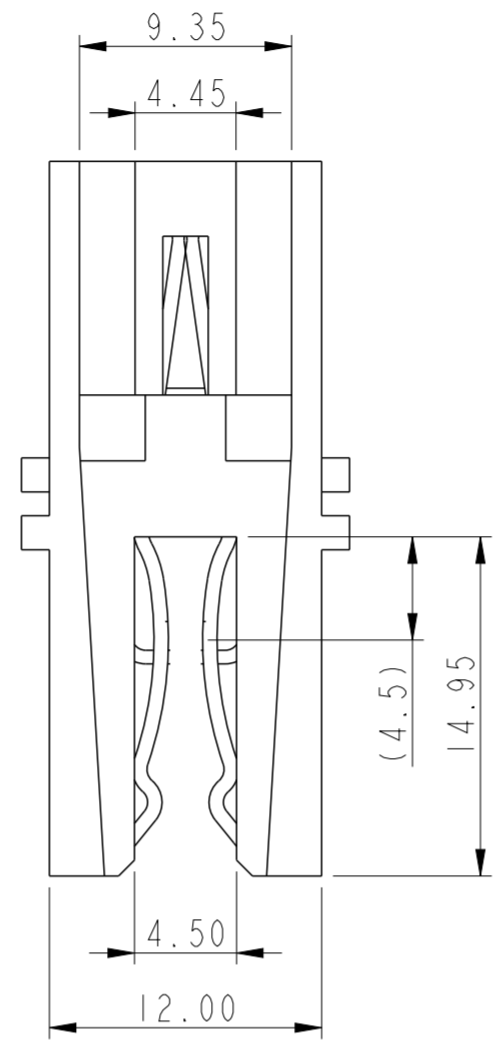
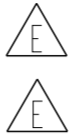
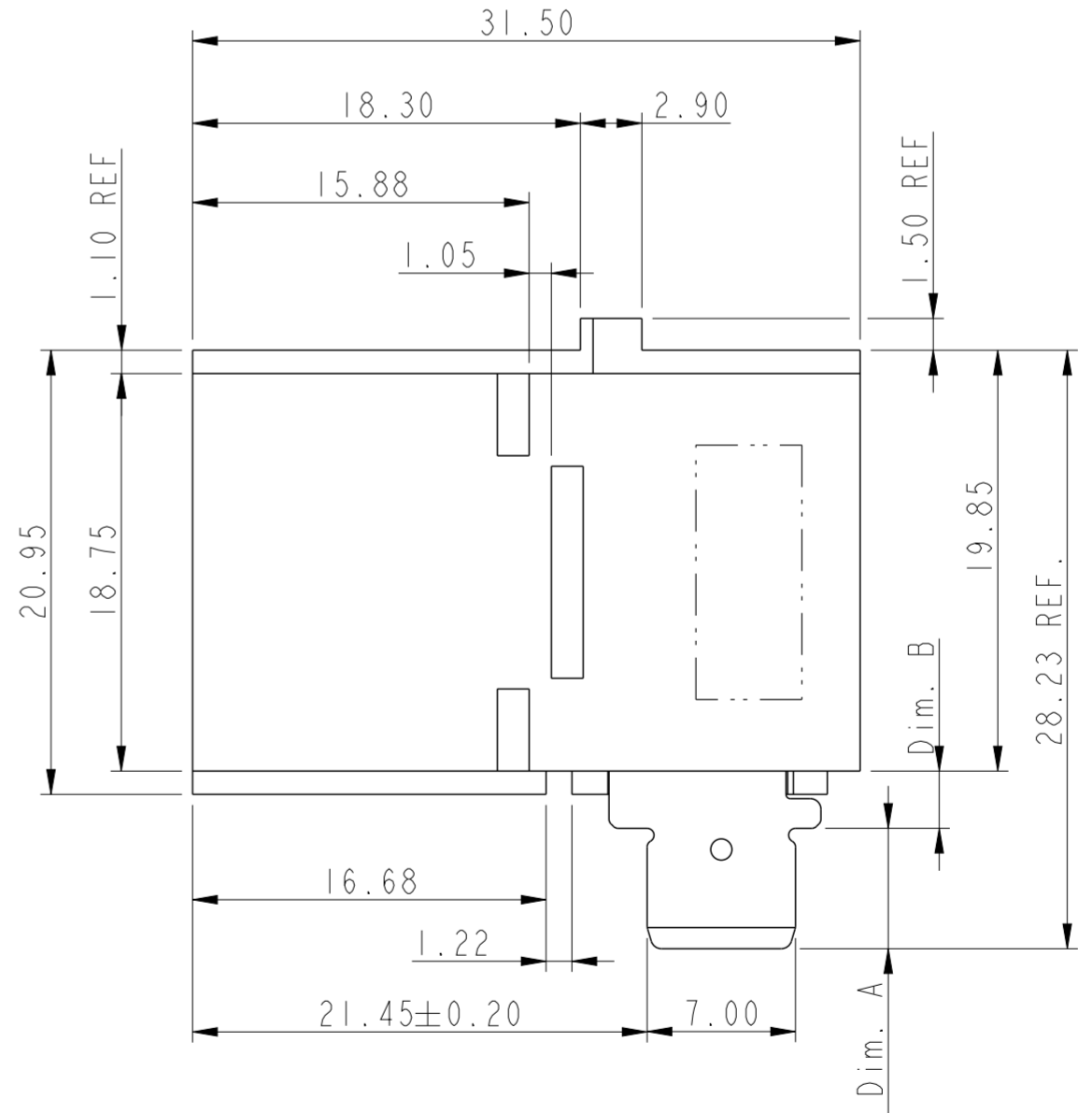
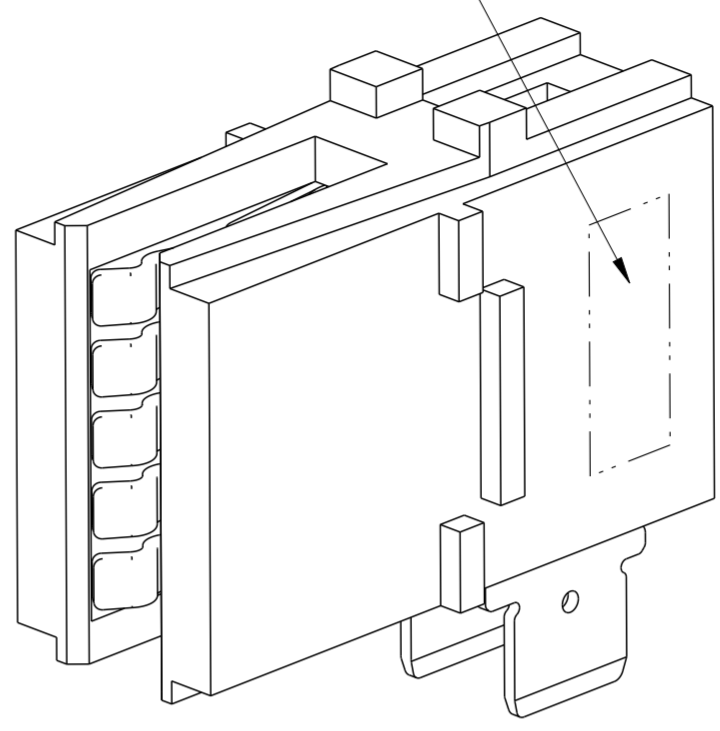


PRODUCT NUMBER	DESCRIPTION(PLATING)	Dim. A	Dim. B	PCB THICKNESS
10125600-S01LF	CONTACT AREA:AGT PLATING-3.0um SILVER OVER 1.27um NICKEL	5.68	2.70	4.80 Max.
10125600-S02LF	CONTACT AREA:AGT PLATING-3.0um SILVER OVER 1.27um NICKEL	4.40	4.00	3.50 Max.
10125600-S04LF	CONTACT AREA:AGT PLATING-3.0um SILVER OVER 1.27um NICKEL	3.50	4.00	2.60 Max.



FCI MARK AND DATE CODE



Amphenol Power Solutions

© 2020 Amphenol Corporation

NOTES:

- CONNECTOR HOUSING:  
HIGH TEMPERATURE THERMOPLASTIC GLASS FILLED, UL 94V-0  
TERMINALS: COPPER ALLOY
- THE HOUSING WILL WITHSTAND EXPOSURE TO 260°C PEAK TEMPERATURE FOR 10 SECOND IN A WAVE SOLDER APPLANTION WITH CIRCUIT BOARD.
- FINISHES:  
SEE PRODUCT NUMBER
- PRODUCT SPECIFICATION: GS-12-1179  
APPLICATION SPECIFICATION: GS-20-0396  
PACKING SPECIFICATION: GS-14-2376
- THE CONNECTOR MUST BE SUPPORTED WITH A FIXTURE DURING WAVE SOLDERING PROCESS.

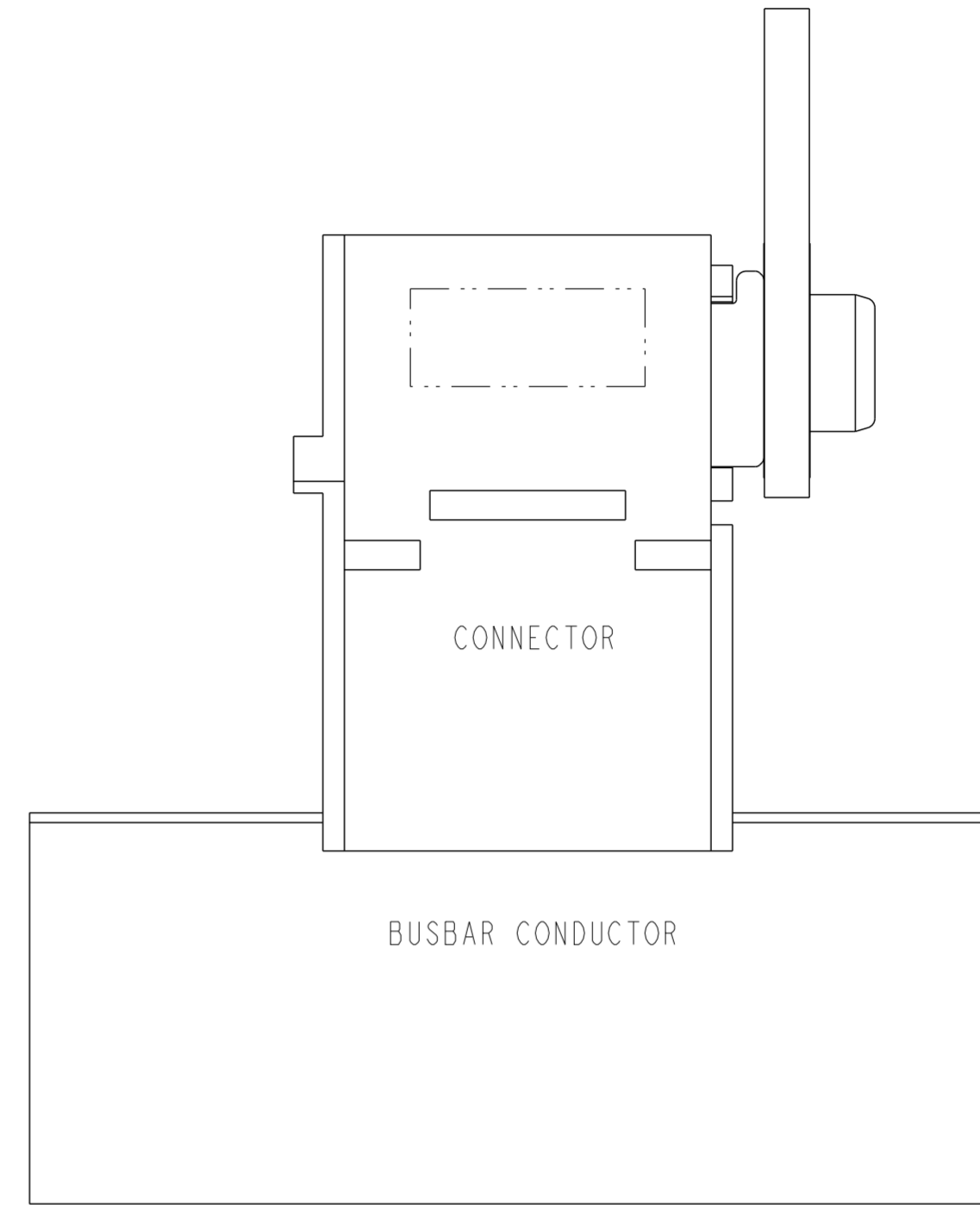
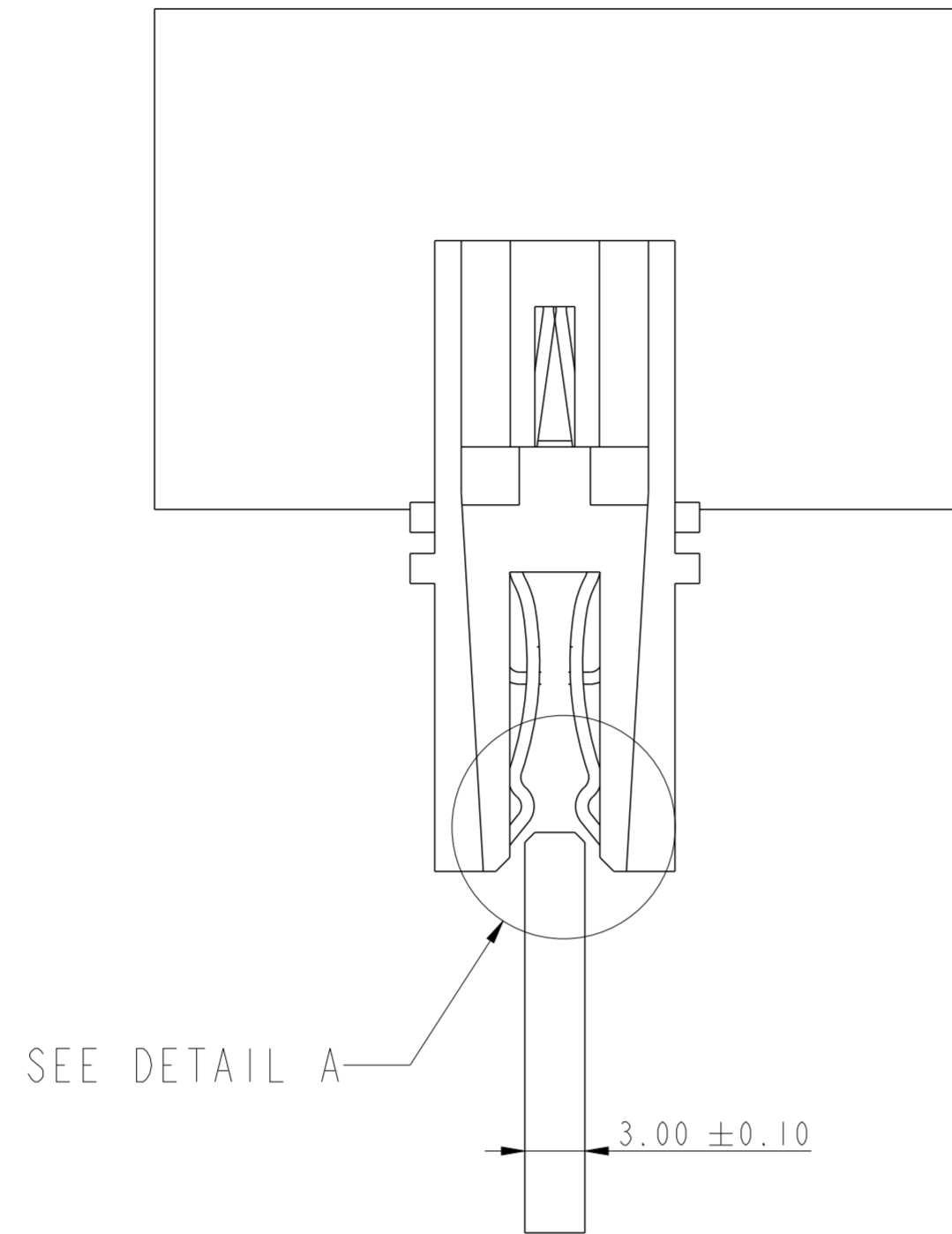
6. A SYMBOL WILL BE NEXT TO ANY DIMENSION, VIEW, OR NOTE THAT HAS BEEN MODIFIED WITHIN THE CURRENT REVISION.

spec ref	-	dr	Zhao Peter	2013/06/20	<b>Amphenol Power Solutions</b> A Division of Amphenol Corporation amphenol-hcc.com	MM	scale	3:1	size	A2	
tolerance std	ISO 406 ISO 1101	eng	De-Ming Lu	2020/12/14		ec n no	ELX-DG-39278-1	rel level	Released		
surface	linear	proj	Zheng, Pei-Min	2020/12/14		dig no	10125600	cat. no.	-	rev	E
	angular					product family		Product - Customer Drw	sheet 1 of 2		

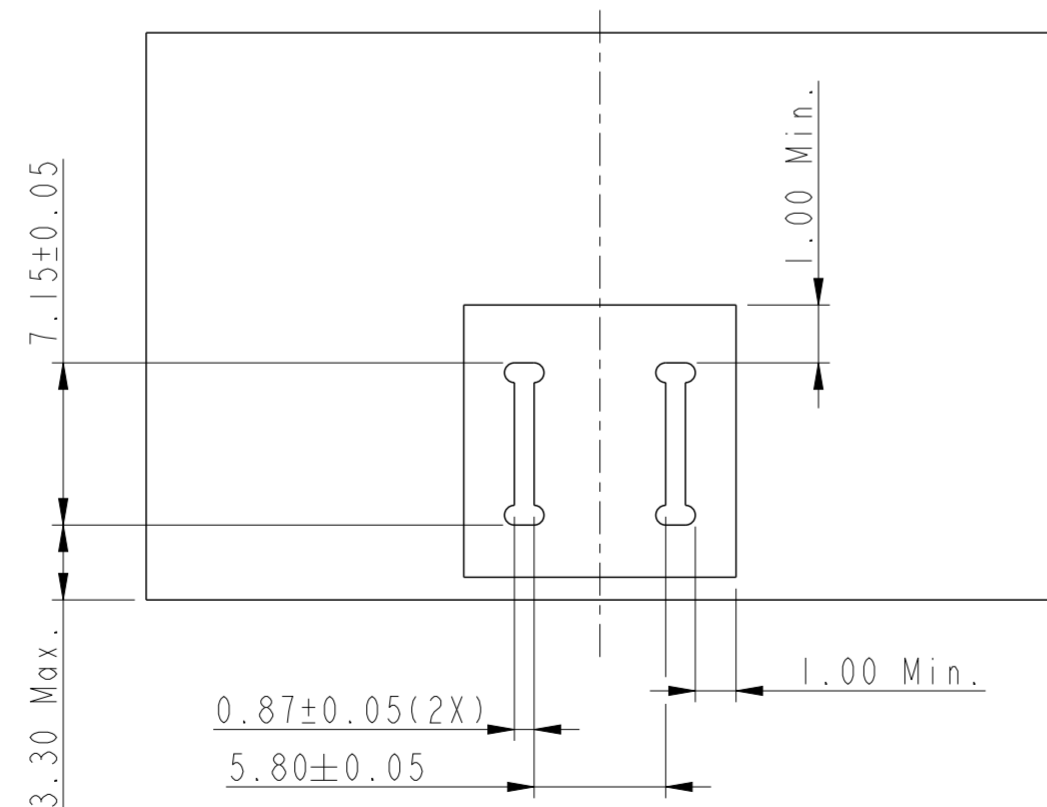
PDS: Rev :E

STATUS:Released

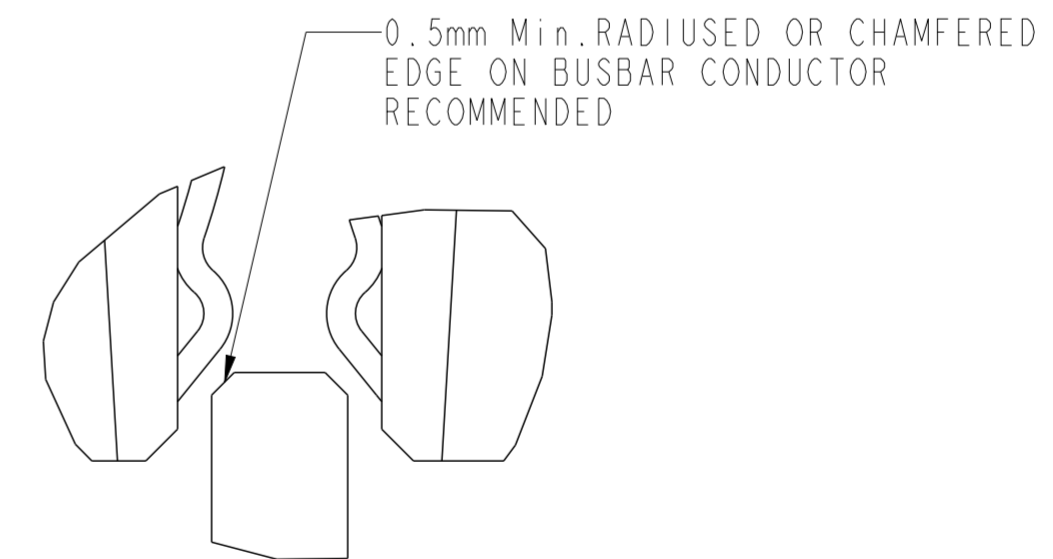
Printed: Dec 18, 2020



PCB AND BUSBAR-CONDUCTOR  
IN THESE VIEWS ARE SHOWN FOR REFERENCE ONLY.



RECOMMENDED PCB LAYOUT  
THICKNESS SEE P/N TABLE ON SHEET 1



DETAIL A (6:1)

spec ref	-	dr	Zhao Peter	2013/06/20	<b>Amphenol Power Solutions</b> A Division of Amphenol Corporation amphenol-hcc.com	MM	scale	3:1	size	A2
tolerance std	ISO 406 ISO 1101	eng	De-Ming Lu	2020/12/14		ec n no	ELX-DG-39278-1	rel level	Released	
surface	ISO 1302	fwvr	-	-		app r	Zheng, Pei-Min	2020/12/14	cat. no.	10125600
		projection	SOLDER TAB BARKLIP R/A CONNECTOR		deg no	-	rev	E		
		product family	Product - Customer Drw		sheet	2 of 2				

PDS: Rev :E

STATUS:Released

Printed: Dec 18, 2020