

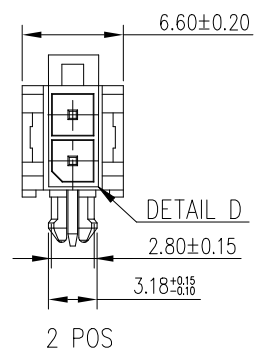
- NOTE:
- MATERIAL:
HOUSING: LCP, UL94V-0, COLOR: BLACK
CONTACT: COPPER ALLOY.
 - CONTACT FINISH: 50u" MIN. NICKEL UNDERPLATED.
OPTIONAL PLATING ON CONTACT AREA.
 - THIS PLUG MATES WITH FCI RECEPTACLE WIRE CONNECTOR 10127716.
 - PRODUCT SPECIFICATION: GS-12-1177.
 - PACKAGE SPECIFICATION: GS-14-2359.
 - THE HOUSING WILL WITHSTAND EXPOSURE TO 260°C PEAK TEMPERATURE 10 SECONDS IN A REFLOW OVEN.
 - PART NUMBER SCHEME:

- 10127720- XX X X X X LF
- POS. CODE:
02: 2 POS
04: 4 POS
8: 8 POS
24: 24 POS
- OPTIONAL PACKAEGS:
BLANK: TRAY
R: TAPE AND REEL
- OPTIONAL PEGS:
BLANK: WITH PEGS
N: NO PEG, ONLY FOR 4,8,10 POS
- PLATING CODE:
1: 100u" TIN
2: GOLD FLASH
3: 15u" Au
4: 30u" Au
5: 160u" MATTE TIN OVER 50u" NICKEL
- GLOW WIRE COMPATIBLE:
BLANK: E471i, NON-COMPATIBLE
G: E130i, GLOW WIRE COMPATIBLE

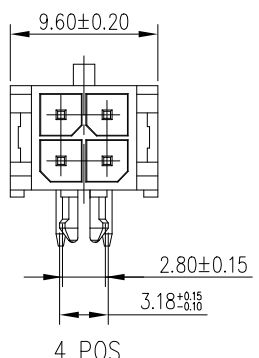
8. P/N & DIMENSION TABLE:

PART NO.	POS	A	B	C	D
10127720-02XXXXLF	2	6.60	--	2.80	--
10127720-04XXXXLF	4	9.60	3.00	2.80	--
10127720-06XXXXLF	6	12.60	6.00	2.80	--
10127720-08XXXXLF	8	15.60	9.00	7.50	4.70
10127720-10XXXXLF	10	18.60	12.00	10.50	7.70
10127720-12XXXXLF	12	21.60	15.00	13.50	10.70
10127720-14XXXXLF	14	24.60	18.00	16.50	13.70
10127720-16XXXXLF	16	27.60	21.00	19.50	16.70
10127720-18XXXXLF	18	30.60	24.00	22.50	19.70
10127720-20XXXXLF	20	33.60	27.00	25.50	22.70
10127720-22XXXXLF	22	36.60	30.00	28.50	25.70
10127720-24XXXXLF	24	39.60	33.00	31.50	28.70

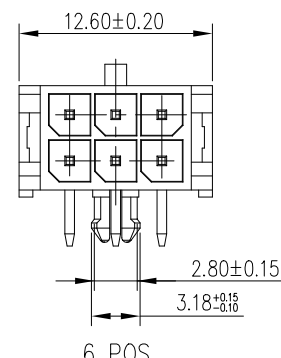
mat'l. code		surface ISO 1302 ✓		tolerance ISO 406 ISO 1101		projection		product family	
ltr		ecn no		dr		date		MINITEK PWR3.0	
J	ELX-N-30249	TONY	2018-05-23	tolerances unless otherwise specified		title		MINITEK PWR3.0 WTB HEADER	
D		ELX-T-23045		TAI		2016-01-15		DUAL ROW, R/A DIP TYPE	
E		ELX-T-24032		TAI		2016-05-05		dwg no	
F		ELX-T-25278		TAI		2016-11-04		sheet 1 of 2	
G		ELX-N-27442		TONY		2017-07-11		size	
H		ELX-N-29540		TONY		2018-03-14		A3	
sheet		revision		J		J		type	
index		sheet		1		2		Product Customer Drawing	



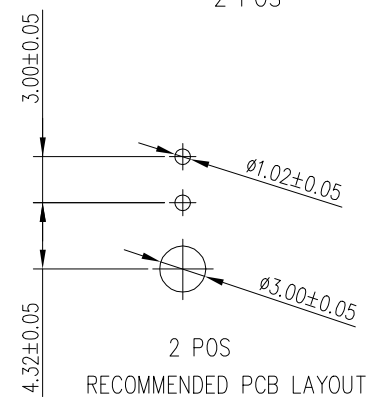
2 POS



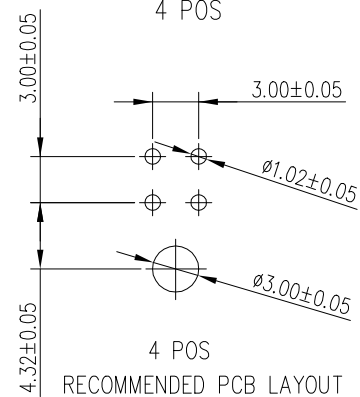
4 POS



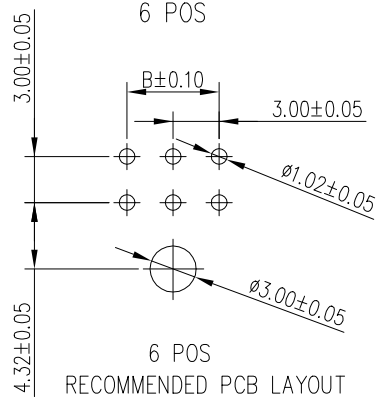
6 POS



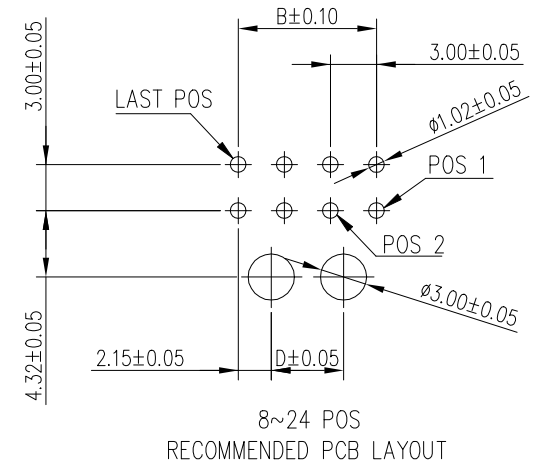
2 POS
RECOMMENDED PCB LAYOUT



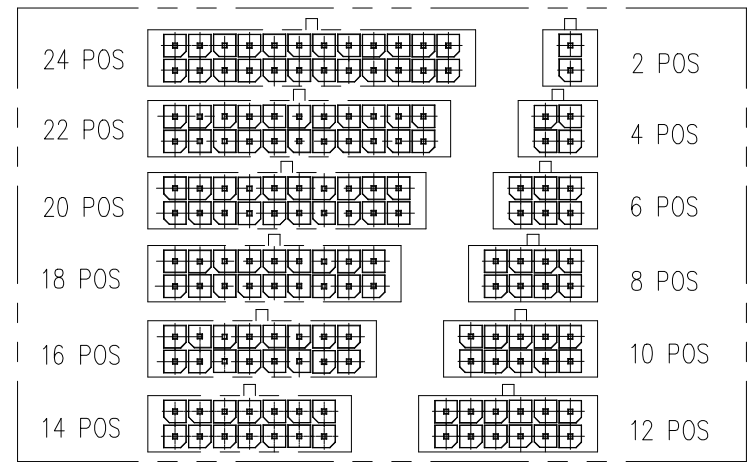
4 POS
RECOMMENDED PCB LAYOUT



6 POS
RECOMMENDED PCB LAYOUT



8~24 POS
RECOMMENDED PCB LAYOUT



DETAIL D

mat'l. code		surface	tolerance	projection	product family
		ISO 1302 ✓	ISO 406 ISO 1101		MINITEK PWR3.0
ltr	ecn no	dr	date	tolerances unless otherwise specified	title
				angles linear	MINITEK PWR3.0 WTB HEADER DUAL ROW, R/A DIP TYPE
				0°±2'	mm
				dr	scale 1:1
				engr	Amphenol FCI
				chr	dwg no
				appd	sheet 2 of 2
					size
					10127720
					A3
					type
					Product Customer Drawing
sheet	revision	J	J		
index	sheet	1	2		