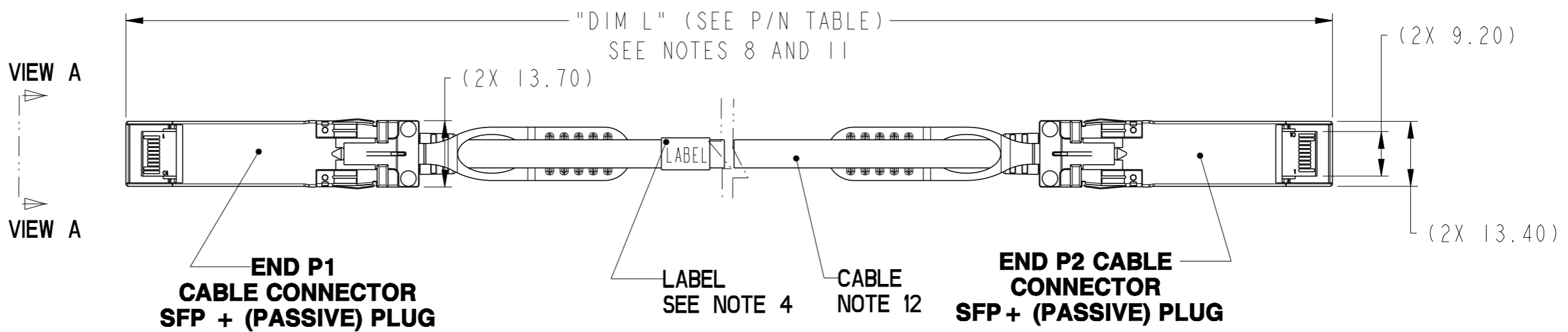
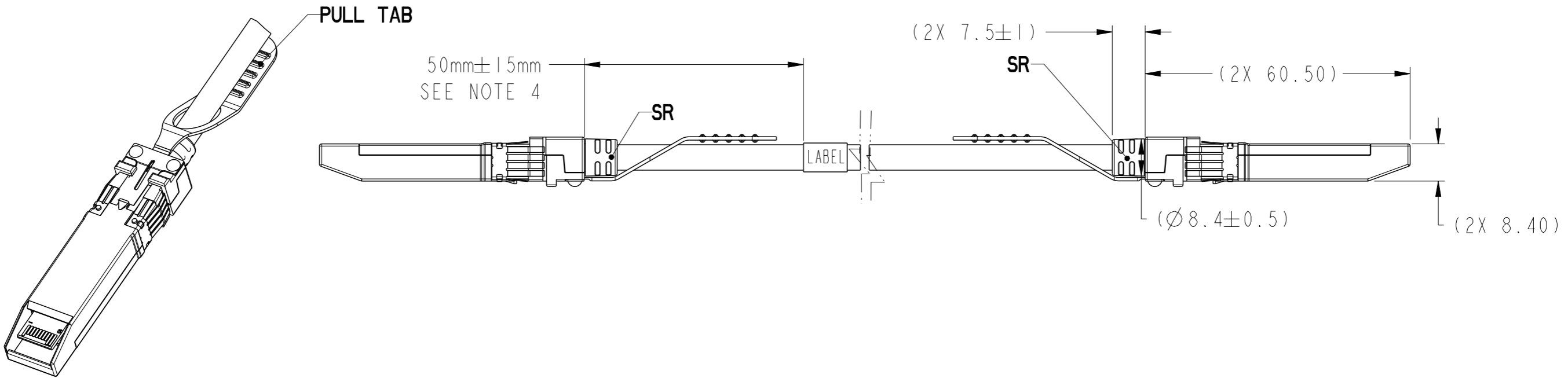


PRODUCT NUMBER	DESCRIPTION	NOTES
10127737-20XXLF	NON-HF 30AWG	SEE SHEET 2&3
10127737-40XXLF	NON-HF 26AWG	SEE SHEET 2&3



Amphenol FCI

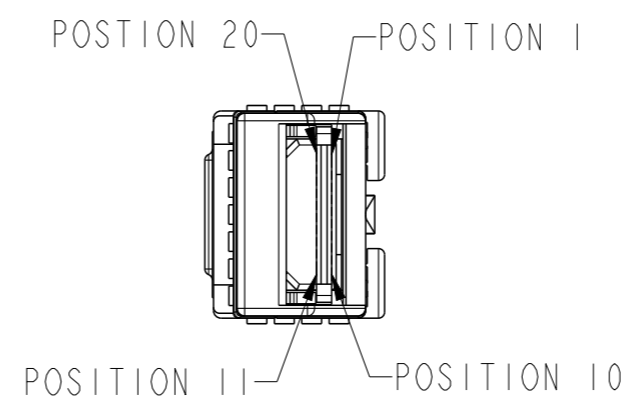
© 2016 AFCI

spec ref	dr	Michael Zhou	2013/10/22	projection	mm	size	A3	scale	3:10
tolerance std	eng	Michael Zhou	2016/12/06			ecn no	ELX-N-25565-1		
TOLERANCES UNLESS OTHERWISE SPECIFIED		chr	-			product family	SFP+ PLUG	rel level	Released
surface	linear	0.X	±0.3	<b>Amphenol FCI</b> SFP+ CABLE ASSEMBLY SFP+ (PASSIVE) ASSEMBLY 25Gbps/Channel www.fci.com	cat. no. -	Product - Customer Drw	sheet 1 of 3	rev <b>B</b>	10127737
		0.XX	±0.10						
		0.XXX	±0.050						
	angular	0°	±2°						

PRODUCT NUMBER	DESCRIPTION	NOTES
10127737-2003LF	NON-HF 30AWG	0.3M
10127737-2004LF	NON-HF 30AWG	0.4M
10127737-2005LF	NON-HF 30AWG	0.5M
10127737-2010LF	NON-HF 30AWG	1M
10127737-2015LF	NON-HF 30AWG	1.5M
10127737-2020LF	NON-HF 30AWG	2M
10127737-2025LF	NON-HF 30AWG	2.5M
10127737-2030LF	NON-HF 30AWG	3M
10127737-4005LF	NON-HF 26AWG	0.5M
10127737-4010LF	NON-HF 26AWG	1M
10127737-4015LF	NON-HF 26AWG	1.5M
10127737-4020LF	NON-HF 26AWG	2M
10127737-4025LF	NON-HF 26AWG	2.5M
10127737-4030LF	NON-HF 26AWG	3M
10127737-4035LF	NON-HF 26AWG	3.5M
10127737-4040LF	NON-HF 26AWG	4M
10127737-4045LF	NON-HF 26AWG	4.5M
10127737-4050LF	NON-HF 26AWG	5M



WIRING LIST (SEE NOTE 5)				
END P1			END P2	
POSITION	SYMBOL		POSITION	SYMBOL
12	RD-		19	TD-
13	RD+		18	TD+
18	TD+		13	RD+
19	TD-		12	RD-



**VIEW A (P1)**  
**SCALE 2:1**

LOW SPEED SIGNALS P1 & P2	
END P1	
POSITION	SYMBOL
1	VeeT
2	Tx_Fault
3	Tx_Disable
4	MOD_DEF(2)
5	MOD_DEF(1)
6	MOD_DEF(0)
7	RateSelect
8	LOS
9	VeeR
10	VeeR
11	VeeR
14	VeeR
15	VccR
16	VccT
17	VeeT
20	VeeT

PRODUCT CAPABILITY MATRIX					
INDUSTRY STANDARD	UNEQUALIZED CABLE LENGTH/AWG				
	1M	2M	3M	4M	5M
IEEE 802.3bj	30AWG	30AWG	30AWG	26AWG	26AWG

spec ref	dr	Michael Zhou	2013/10/22	projection	mm	size	A3	scale	3:10
tolerance std	eng	Michael Zhou	2016/12/06		← →	ecn no	ELX-N-25565-1	rel level	Released
TOLERANCES UNLESS OTHERWISE SPECIFIED		chr	-						
surface		linear	0.X	±0.3	Amphenol FCI	SFP+ CABLE ASSEMBLY	rev	10127737	B
			0.XX	±0.10					
			0.XXX	±0.050					
	angular	0°	±2°	www.fci.com	cat. no.	-	Product - Customer Drw	sheet 2 of 3	

Amphenol FCI

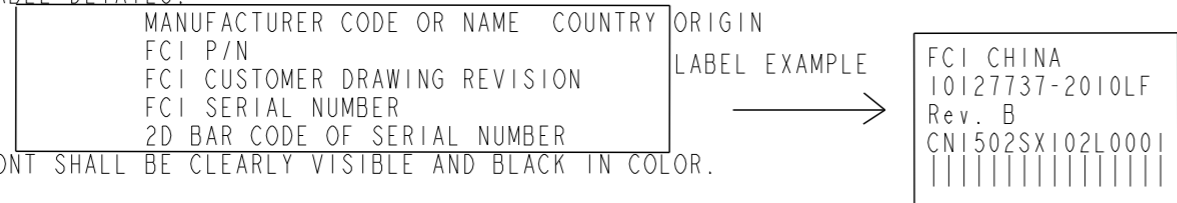
© 2016 AFCI

NOTES:

- 1 - MATERIAL:  
BACKSHELLS: ZINC ALLOY/ COPPER UNDERPLATE/ NICKEL OVERPLATE  
PULL TAB: THERMOPLASTIC POLYMER  
RELEASE SPRING: STAINLESS STEEL  
EMI GASKET: STAINLESS STEEL  
SR: THERMOPLASTIC POLYAMIDES  
SCREWS: STAINLESS STEEL  
PADDLE CARD: PRINTED CIRCUIT SUBSTRATE
- 2 - THIS PRODUCT MEETS THE RESTRICTION OF HAZARDOUS SUBSTANCES IN ELECTRICAL AND ELECTRONIC EQUIPMENT (RoHS) DIRECTIVE (2011/65/EU)
- 3 - IMPEDANCE: 100 OHMS DIFFERENTIAL.

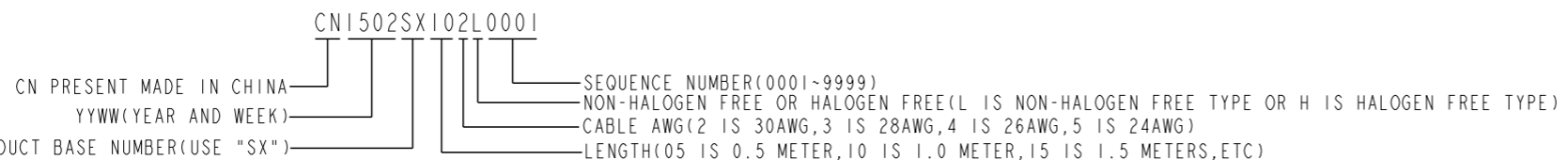
4 - UNLESS OTHERWISE SPECIFIED LABEL POSITION IS TO BE 50mm FROM REAR OF CONNECTOR.

LABEL DETAILS:



FONT SHALL BE CLEARLY VISIBLE AND BLACK IN COLOR.

FCI SERIAL NUMBER IS ONLY USED FOR TRACKING PRODUCT,DETAIL IS AS BELOW :



- 5 - ALL CABLE ASSEMBLIES SHALL BE 100% TESTED FOR CONTINUITY AS DEFINED IN WIRING LIST.
- 6 - EEPROM INFORMATION REFERS TO FCI STANDRAD SFP+ PRODUCT SPECIFICATION:GS-12-616.
- 7 - PACKAGING OF LEAD FREE PRODUCTS MEETS LABELING AND PACKAGING PER SPECIFICATION GS-14-920. PACKAGE CABLE ASSEMBLIES PER GS-14-1272. DUST CAPS ARE TO BE ASSEMBLED PRIOR TO PACKING.
- 8 - THIS DIMENSION IS A FINISHED PRODUCT LENGTH.
- 9. A "Δ" SYMBOL WILL BE NEXT TO ANY DIMENSION, VIEW, OR NOTE WHICH HAS BEEN MODIFIED WITH THE CURRENT DRAWING REVISION. THE CURRENT REVISION WILL BE SHOWN IN THE SYMBOL.
- 10) LONGER LENGTH APPLICATIONS REQUIRE HOST SYSTEM PREMPHASIS AND/OR EQUALIZATION.
- 11) UNLESS OTHERWISE SPECIFIED ASSEMBLED LENGTH TOLERANCE IS TO BE:  
<= 1 METER = ±25.0mm  
> 1 METER TO 10 METERS = ±2% OF "DIM L"
- 12) "HF" PRODUCT NUMBERS DESIGNATE THE USE OF HALOGEN FREE RAW CABLE.
- 13. HALOGEN FREE RAW CABLE CAN BE USED AS A SUBSTITUTE ON NON-HF PRODUCT NUMBERS.
- 14) RAW CABLE IS OPTIONAL WHICH HAD BEEN QUALIFIED AND MEET FCI STANDARD PRODUCT SPECIFICATION.

Amphenol FCI

© 2016 AFCI

spec ref	dr	Michael Zhou	2013/10/22	projection	mm	size	A3	scale	3:10	
tolerance std	eng	Michael Zhou	2016/12/06			ecn no		ELX-N-25565-1		
TOLERANCES UNLESS OTHERWISE SPECIFIED						product family		SFP+ PLUG		rel level
surface		linear	0.X	±0.3		SFP+ CABLE ASSEMBLY				rev <b>B</b>
			0.XX	±0.10		SFP+ (PASSIVE) ASSEMBLY 25Gbps/Channel				
			0.XXX	±0.050		cat. no. - Product - Customer Drw				
	angular	0°	±2°	www.fci.com				sheet 3 of 3		