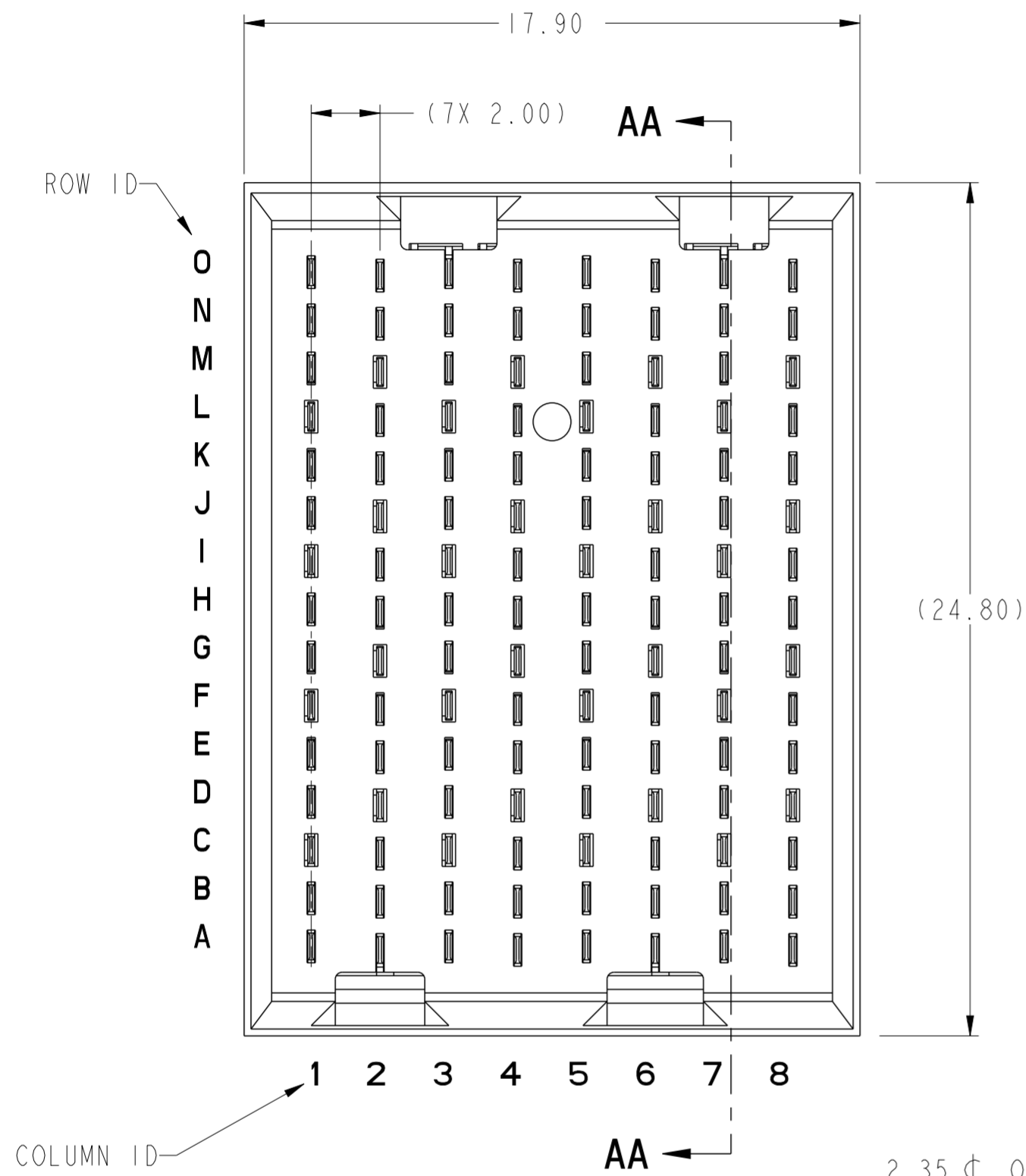
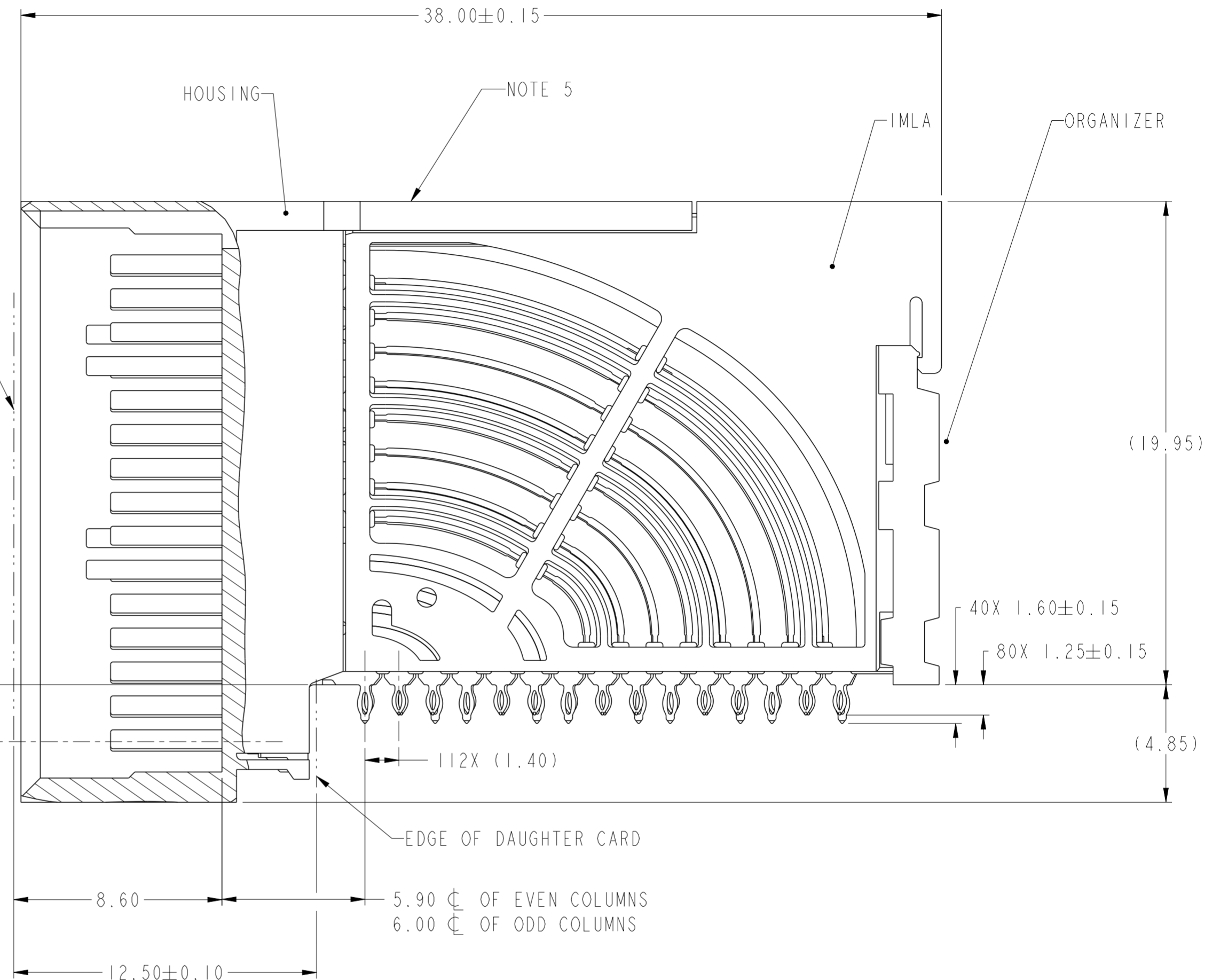


PRODUCT NUMBER
SEE SHEET 3



2.35 ϕ OF EVEN COLUMNS
2.25 ϕ OF ODD COLUMNS



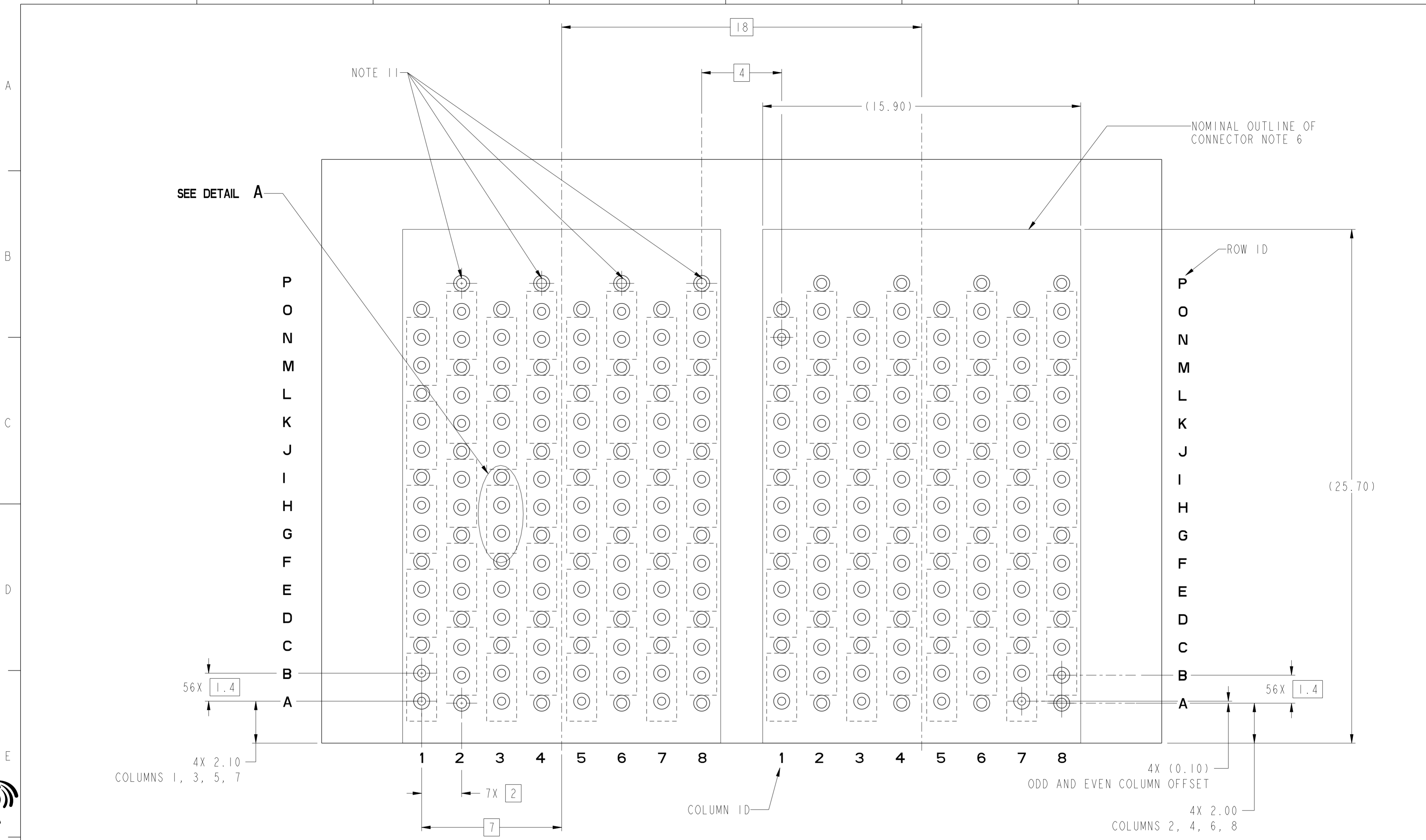
SECTION AA-AA

spec ref	---	dr	Tao Zhan	2014/06/12	projection	MM	size	A2	scale	10:1												
tolerance std	ASME Y14.5M	eng	Jeny Ren	2014/09/09			ecn no	-	rel level	Released												
TOLERANCES UNLESS OTHERWISE SPECIFIED		chr	-	product family			-	rel level	Released													
surface	<table border="1"> <tr> <td>linear</td> <td>0.X</td> <td>±.3</td> </tr> <tr> <td></td> <td>0.XX</td> <td>±.10</td> </tr> <tr> <td></td> <td>0.XXX</td> <td>±.050</td> </tr> <tr> <td>angular</td> <td>0°</td> <td>±2°</td> </tr> </table>	linear	0.X	±.3				0.XX	±.10		0.XXX	±.050	angular	0°	±2°	appr	Collins Lu	2014/09/09	title	AIRMAX VSE RA HEADER	dwg no	10130570
linear	0.X	±.3																				
	0.XX	±.10																				
	0.XXX	±.050																				
angular	0°	±2°																				
		www.fci.com	cat. no.	-	Product - Customer Drw	sheet 1 of 3																

PDS: Rev :A

STATUS:Released

Printed: Sep 09, 2014



4X 2.10
COLUMNS 1, 3, 5, 7

4X (0.10)
ODD AND EVEN COLUMN OFFSET

4X 2.00
COLUMNS 2, 4, 6, 8

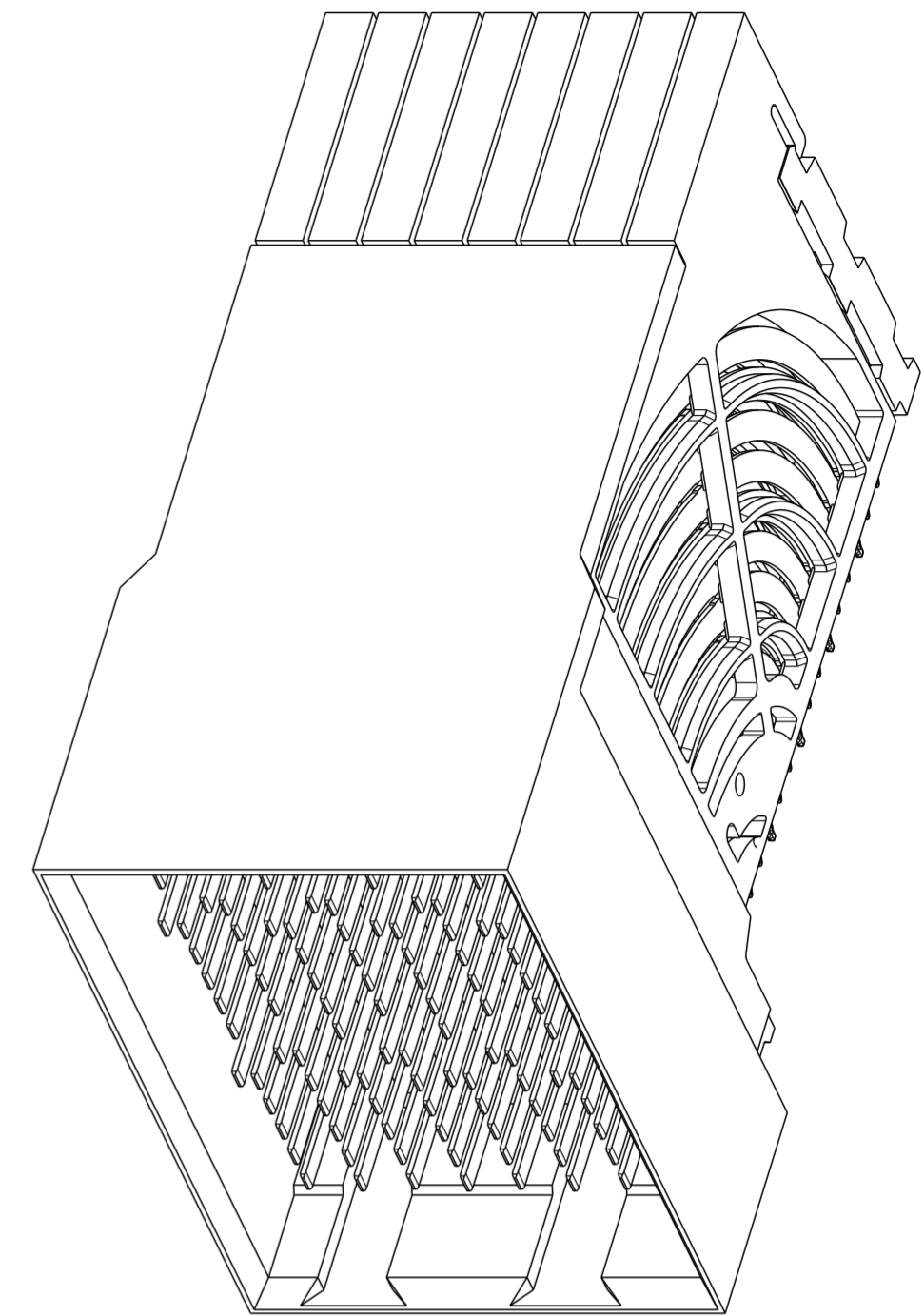
RECOMMENDED PCB LAYOUT
FOR DIFFERENTIAL APPLICATIONS
COMPONENT SIDE
(TWO ADJACENT FOOTPRINTS SHOWN)
NOTES 7 & 10

SCALE 8:1

spec ref	---	dr	Tao Zhan	2014/06/12	projection	MM	size	A2	scale	8:1	
tolerance std	ASME Y14.5M	eng	Jeny Ren	2014/09/09			ecn no	-	rel level		
TOLERANCES UNLESS OTHERWISE SPECIFIED		chr	-	appr			Collins Lu	2014/09/09	Product family	-	rel level
surface	✓	linear	0.X	±.3		AIRMAX VSE RA HEADER 5 PAIR 120 POS 2MM 8 COL SMALL PRESS FIT	cat. no.	-	Product	Customer Drw	
			0.XX	±.10			dwg no	10130570	rev	A	
		angular	0°	±2°			sheet 2 of 3				

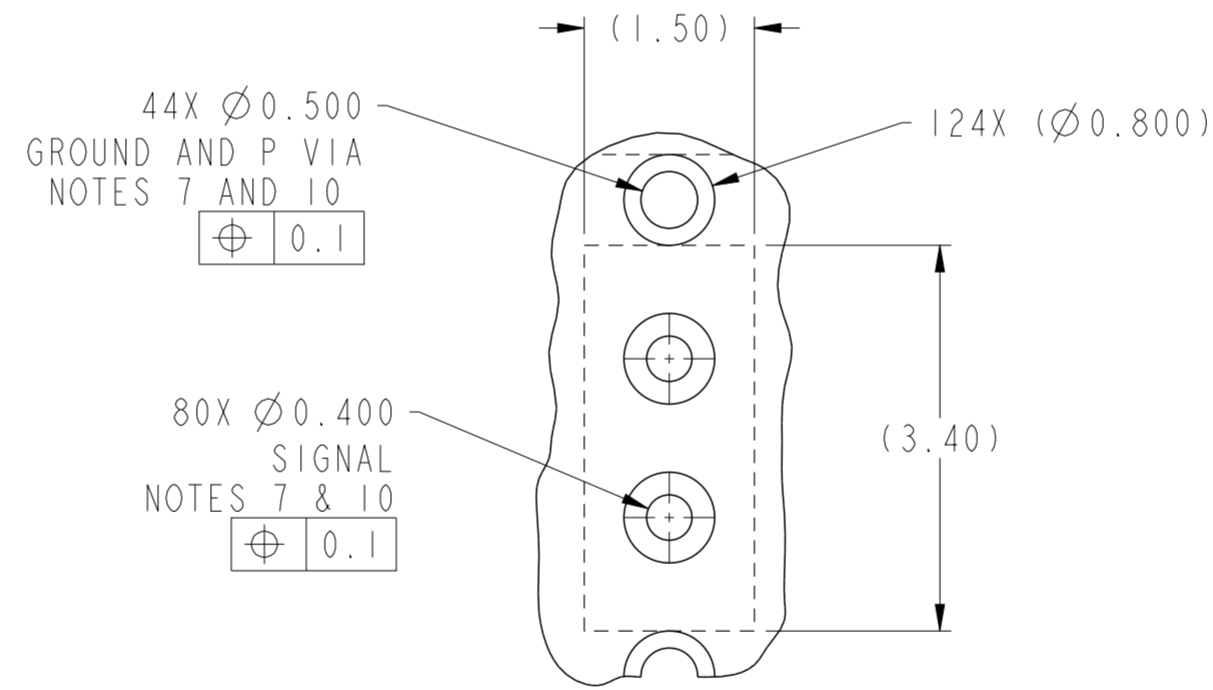
PRODUCT NUMBER	PRESS-FIT TAIL PLATING TYPE
10130570-101	TIN/LEAD ALLOY OVER NICKEL
10130570-101LF	TIN OVER NICKEL (LEAD FREE)

- 1 - CONNECTOR MATERIALS:
HOUSING: HIGH TEMP THERMOPLASTIC, NATURAL, UL94-V0
IMLA PLASTIC: HIGH TEMP THERMOPLASTIC, BLACK, UL94-V0
CONTACT: COPPER ALLOY
ORGANIZER: HIGH TEMP THERMOPLASTIC, NATURAL, UL94-V0
- 2 - CONTACT PLATING:
SEPARABLE INTERFACE:
PERFORMANCE-BASED PLATING, QUALIFIED TO MEET THE REQUIREMENTS OF FCI PRODUCT SPECIFICATION GS-12-0956 INCLUDING TELCORDIA GR-1217-CORE (NOVEMBER 1995) CENTRAL OFFICE TEST SEQUENCE
- PRESS-FIT TAILS: SEE TABLE
- 3 - PRODUCT SPECIFICATION: GS-12-0956
- 4 - APPLICATION SPECIFICATION: GS-20-0305
- 5 - PRODUCT MARKING, (PROTOTYPE, PART NUMBER & LOT CODE), ON THIS SURFACE.
- 6 - CONNECTOR OUTLINE MAY BE SCREEN PRINTED ONTO CUSTOMER PCB TO BE USED AS A GUIDE FOR CONNECTOR PLACEMENT.
- 7 - REFER TO CUSTOMER DRAWING 10104444 FOR INFORMATION ON PCB HOLE DIAMETERS AND PLATING OPTIONS
- 8 - LEAD FREE PRODUCT MEETS THE EUROPEAN UNION DIRECTIVES & OTHER COUNTRY REGULATIONS AS DESCRIBED IN GS-22-008
- 9 - PACKAGING MEETS GS-14-920 LEAD FREE LABELING SPECIFICATION.
- 10 - GROUND CONTACTS (C, F, I, L, & O IN ODD COLUMNS AND A, D, G, J, & M IN EVEN COLUMNS) REQUIRE (Ø0.500) FINISHED HOLES. SIGNAL LOCATIONS REQUIRE (Ø0.400) FINISHED HOLES
- 11 - THESE OUTER VIAS (P) ARE OPTIONAL. WHILE NO CONNECTOR EONS ARE PRESSED INTO THESE HOLES WE RECCOMEND (Ø0.500) FINISHED HOLES AT THESE LOCATIONS TO PROVIDE GROUND SYMMETRY THROUGH THE PCB.
- 12 - A \triangle SYMBOL WILL BE NEXT TO ANY DIMENSION, VIEW, OR NOTE, WHICH HAS BEEN MODIFIED WITH THE CURRENT DRAWING REVISION.



10130570-101 OR -101LF

SCALE 4:1



DETAIL A
SCALE 15:1

spec ref	---	dr	Tao Zhan	2014/06/12	projection	MM	size	A2	scale	8:1
tolerance std	ASME Y14.5M	eng	Jeny Ren	2014/09/09	chr	-	ecn no	-	rel level	Released
TOLERANCES UNLESS OTHERWISE SPECIFIED		appr	Collins Lu	2014/09/09	product family	-	cat. no.	-	Product - Customer Drw	sheet 3 of 3
surface	✓	linear	0.X	±.3	FCI	title	AIRMAX VSE RA HEADER	dwg no	10130570	rev
			0.XX	±.10						
			0.XXX	±.050						
		angular	0°	±2°	www.fci.com					

PDS: Rev :A

STATUS:Released

Printed: Sep 09, 2014



Copyright FCI.