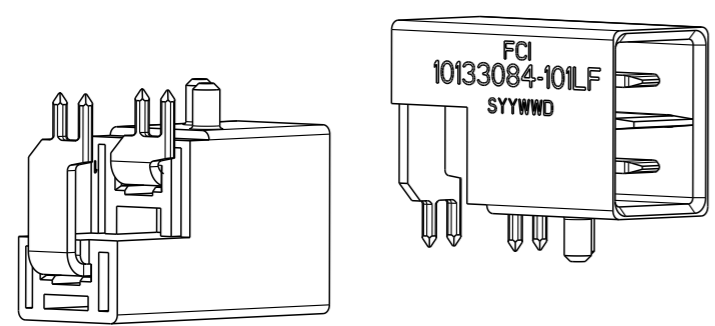
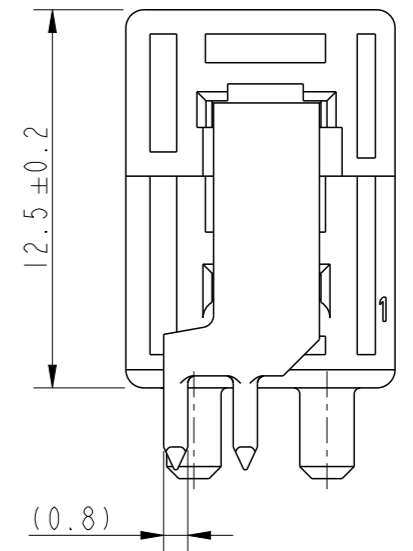
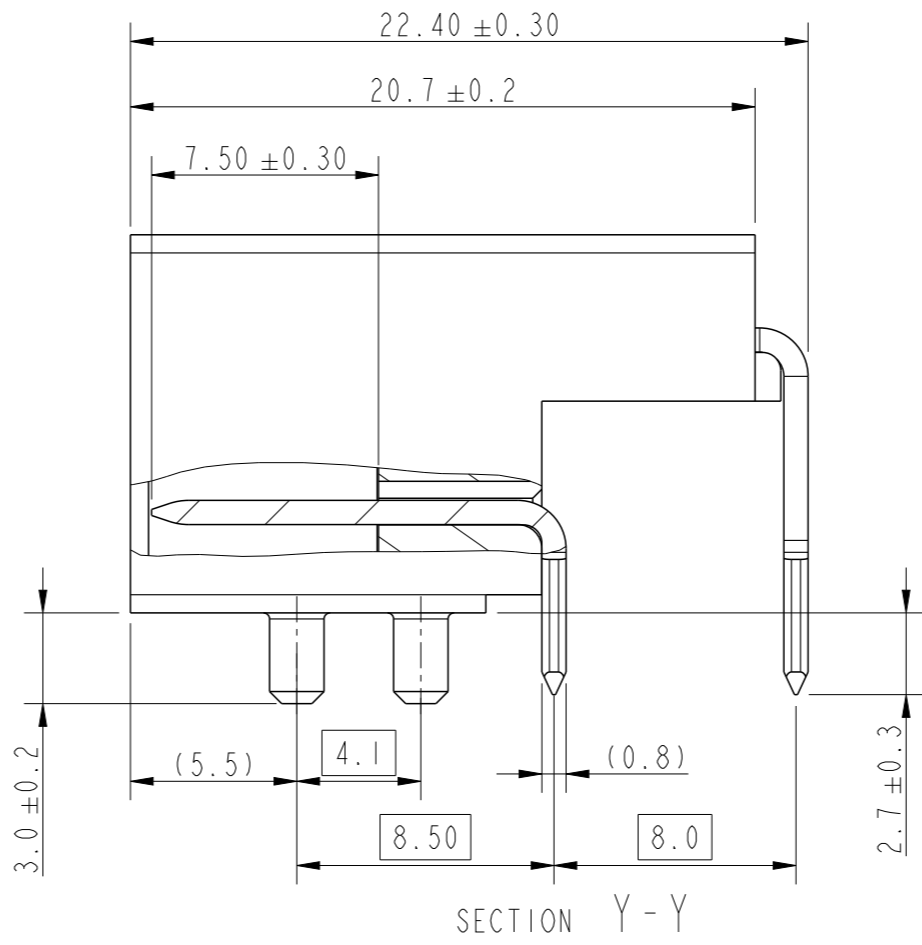
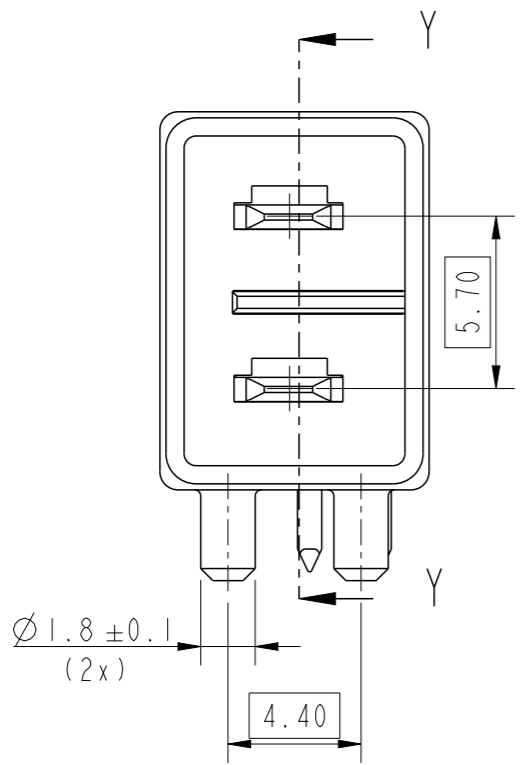
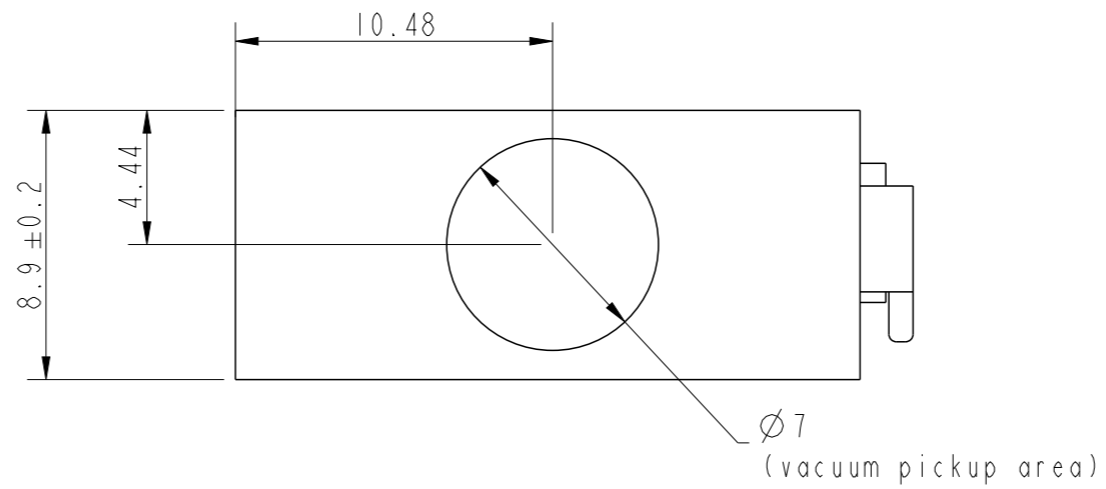


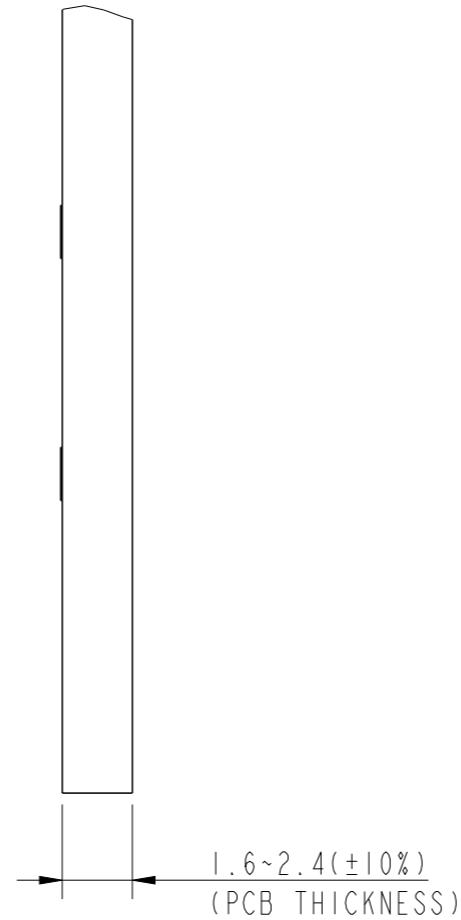
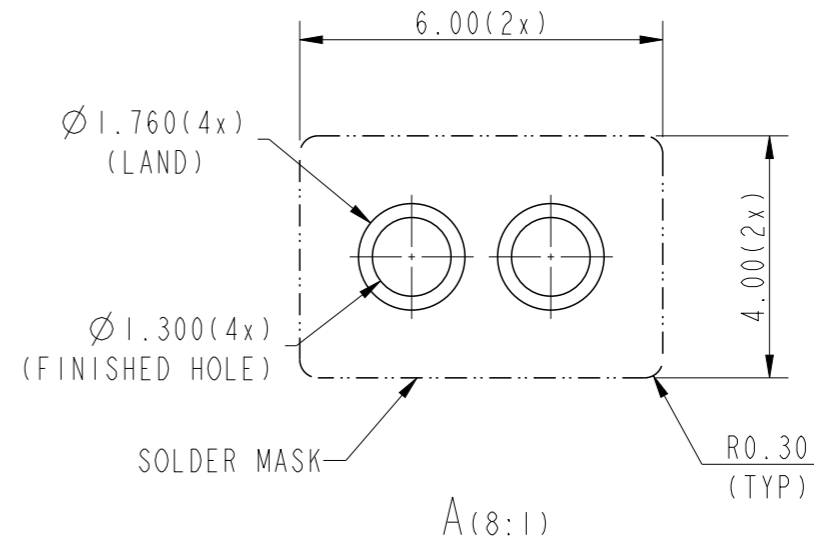
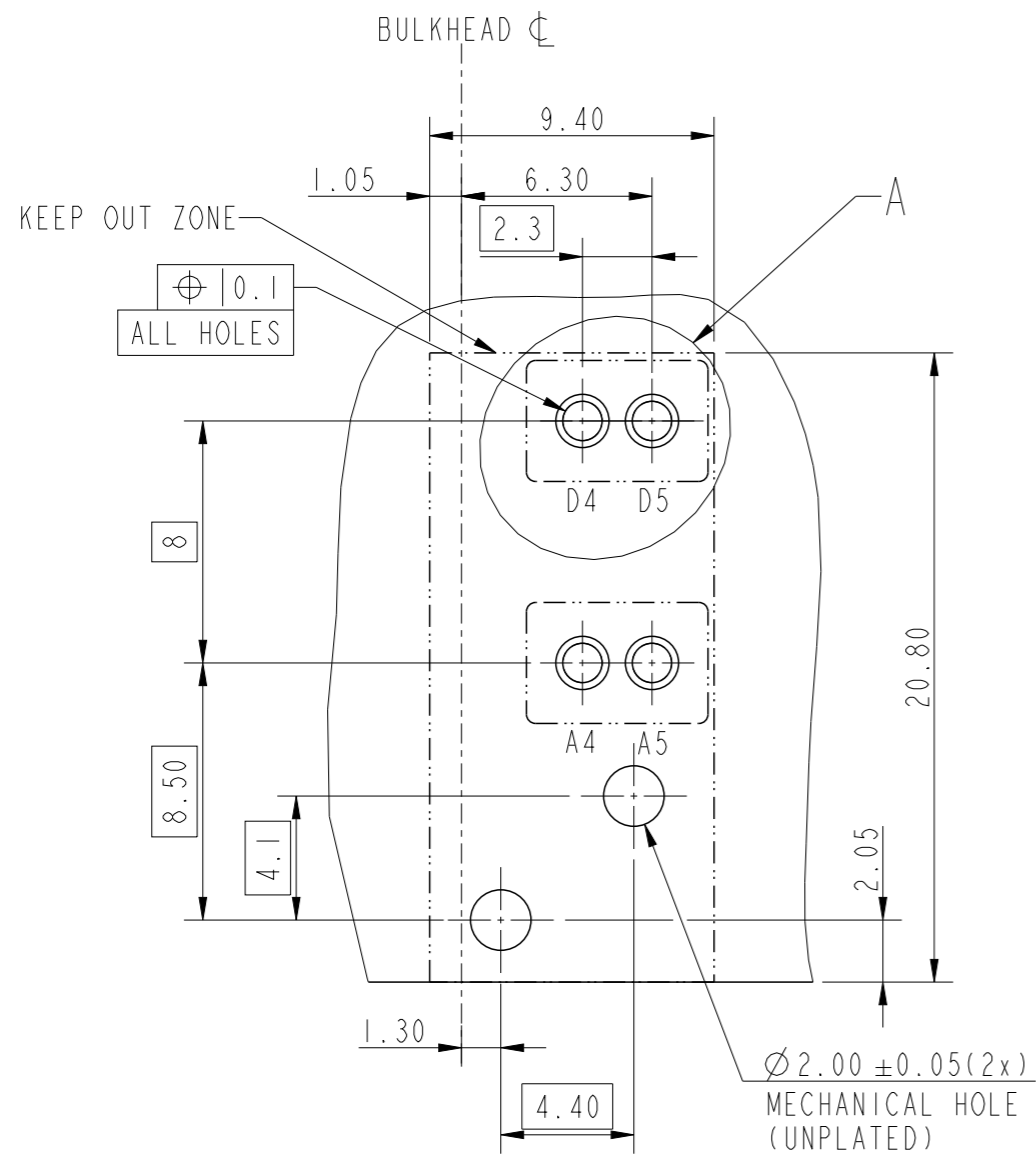
PRODUCT NUMBER
10133084-101LF



spec ref	-	dr	Alosius, Stali	2015/09/24	projection	mm	size	A3	scale	2:1	
tolerance std	ISO 406 ISO 1101	eng	Alosius, Stali	2022/06/03			ecn no	ELX-I-44851-1			
TOLERANCES UNLESS OTHERWISE SPECIFIED		chr	-	-			rel level	Released			
surface	linear	appr	Kuriakose, San	2022/06/03	product family	OCTIS	dwg no	10133084-101		rev	J
ISO 1302	angular	Amphenol FCI POWER OCTIS RA BOARD CONNECTOR 2 POS POWER PIP TERMINATION		cat. no.	-	Product - Customer Drw	sheet 1 of 4				
	0.X	±0.3									
	0.XX	±0.10									
	0.XXX	±0.050									
	0°	±2°									

Creo File:ELX-WC-A3C.REV F.2020-12-21

VIEW FROM COMPONENT SIDE



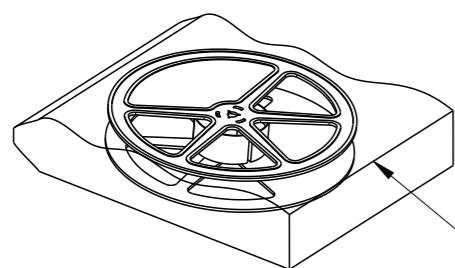
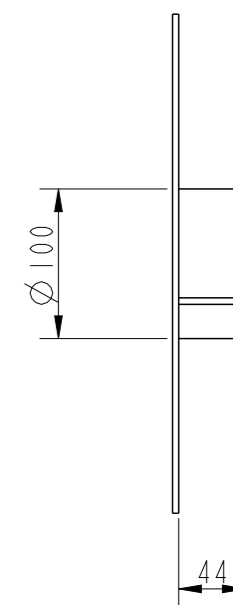
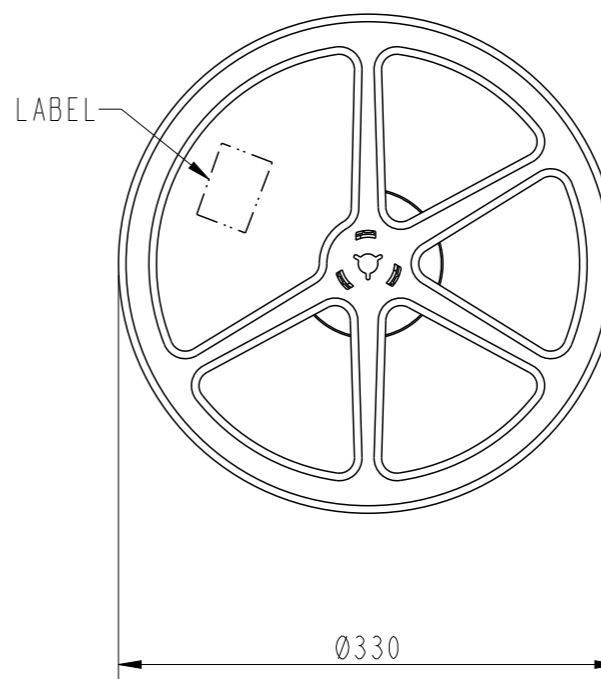
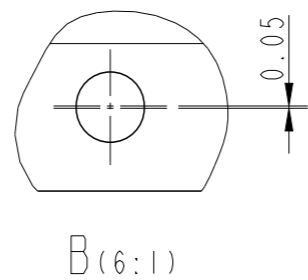
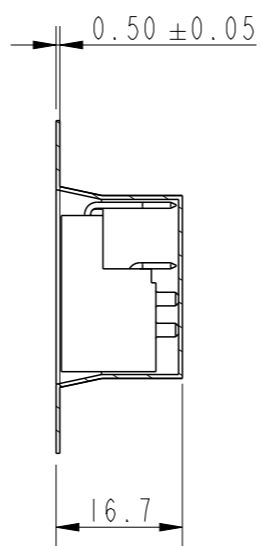
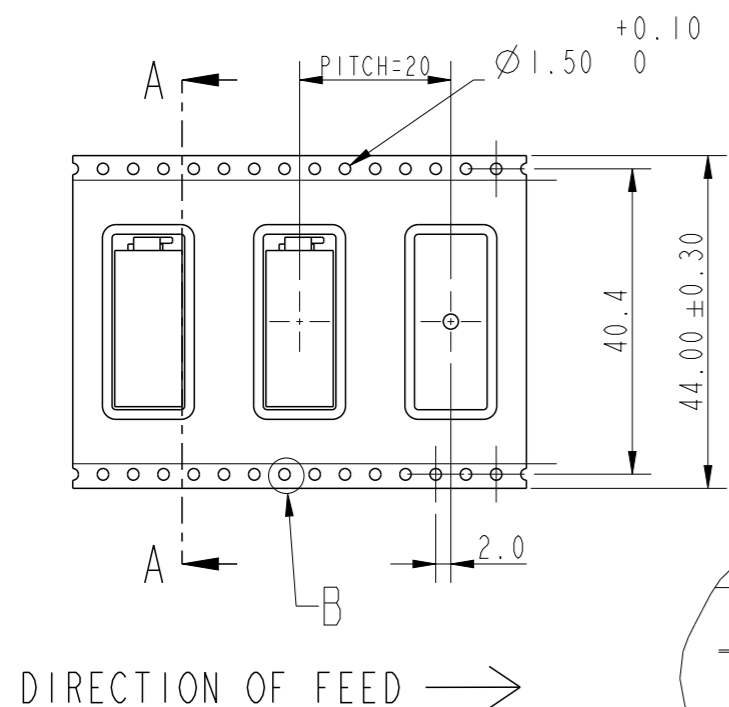
NOTES:

1. MATERIAL :
- RESIN - LCP, GLASS FILLED, FLAME RETARDANT ACC
FLAMMABILITY CLASSIFICATION - UL94-V0
- POWER CONTACTS - COPPER ALLOY
2. PLATING :
- PURE TIN ON POWER CONTACTS
3. PRODUCT SPECIFICATION: GS-12-1413 & GS-12-1339
4. APPLICATION SPECIFICATION: GS-20-0454
5. PACKAGING - TAPE & REEL
6. UNDER PLATING FOR CONTACTS - 1.27µm NICKEL.
7. PRODUCT WILL WITHSTAND EXPOSURE TO 260° FOR 60 SECONDS IN A CONVECTION, INFRA RED OR VAPOUR PHASE REFLOW OVEN
8. PRODUCT WHERE THE PARTNUMBER ENDS IN LF MEETS EUROPEAN DIRECTIVES AND OTHER COUNTRY REGULATIONS AS DESCRIBED IN GS-47-0004.

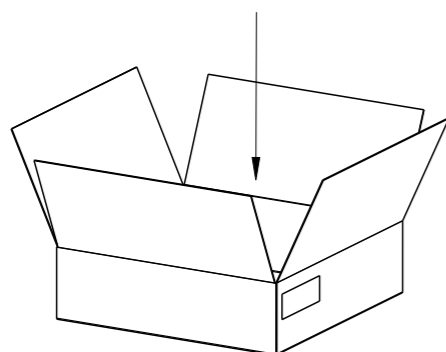
	POWER PTH DETAILS
DRILLED HOLE	1.37-1.42mm
COPPER PLATING	25-50µm
TIN PLATING	0.8-1.2µm
FINISHED HOLE DIA	1.25-1.35mm

spec ref	-	dr	Alosius, Stali	2015/09/24	projection	mm	size	A3	scale	1:1	
tolerance std	ISO 406 ISO 1101	eng	Alosius, Stali	2022/06/03			ecn no	ELX-I-44851-1			
TOLERANCES UNLESS OTHERWISE SPECIFIED		chr	-	-			product family	OCTIS	rel level	Released	
surface	linear	0.X	±0.3		POWER OCTIS RA BOARD CONNECTOR		dwg no	10133084-101		rev	J
		0.XX	±0.10		2 POS POWER PIP TERMINATION		cat. no.	-	Product - Customer Drw	sheet 2 of 4	
	angular	0°	±2°								

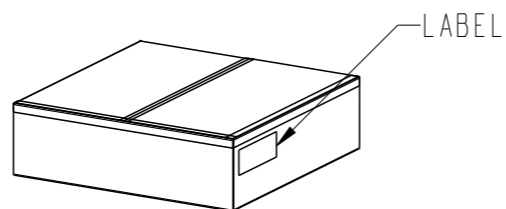
PACKAGING SPECIFICATION



REEL IN POLYETHYLENE BAG



CARTON DIMENSION: 335X335X100MM



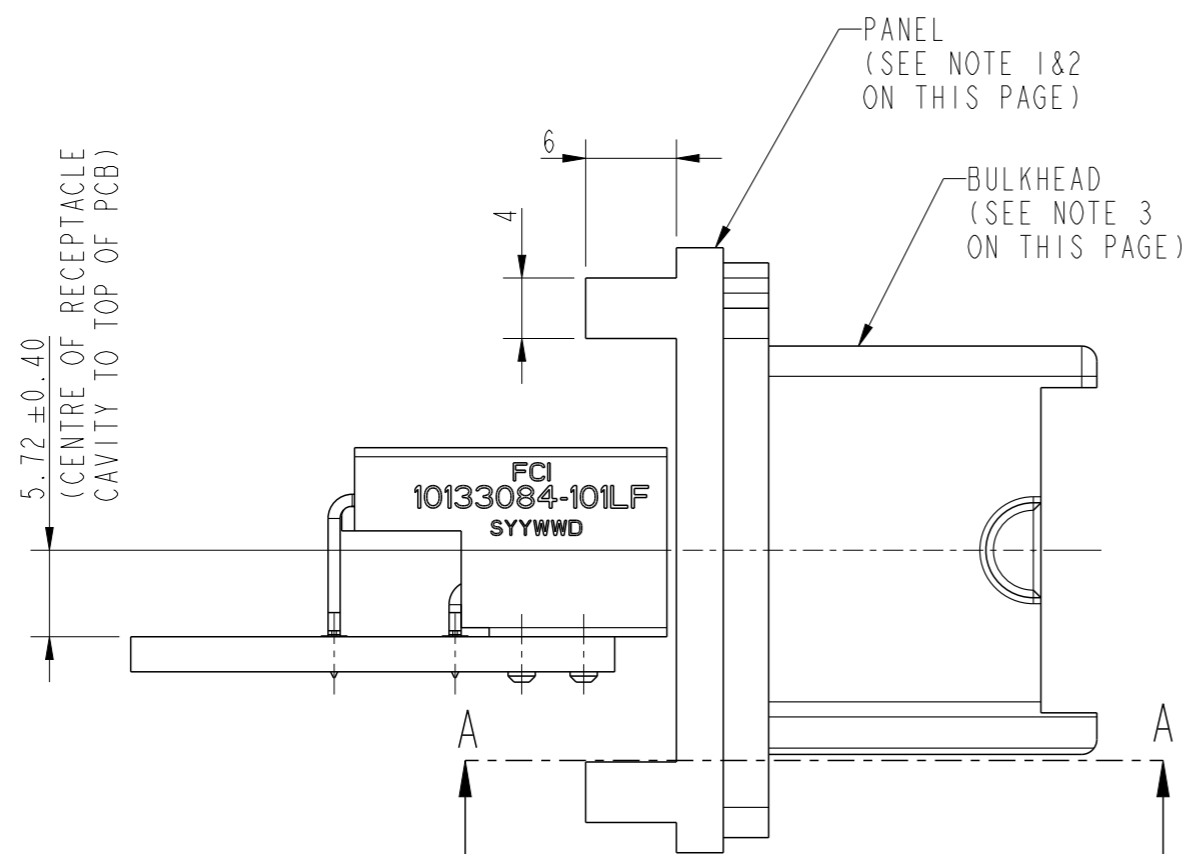
SEALED CARTON

TAPE & REEL AND BOX PACKING DETAILS

NOTES:

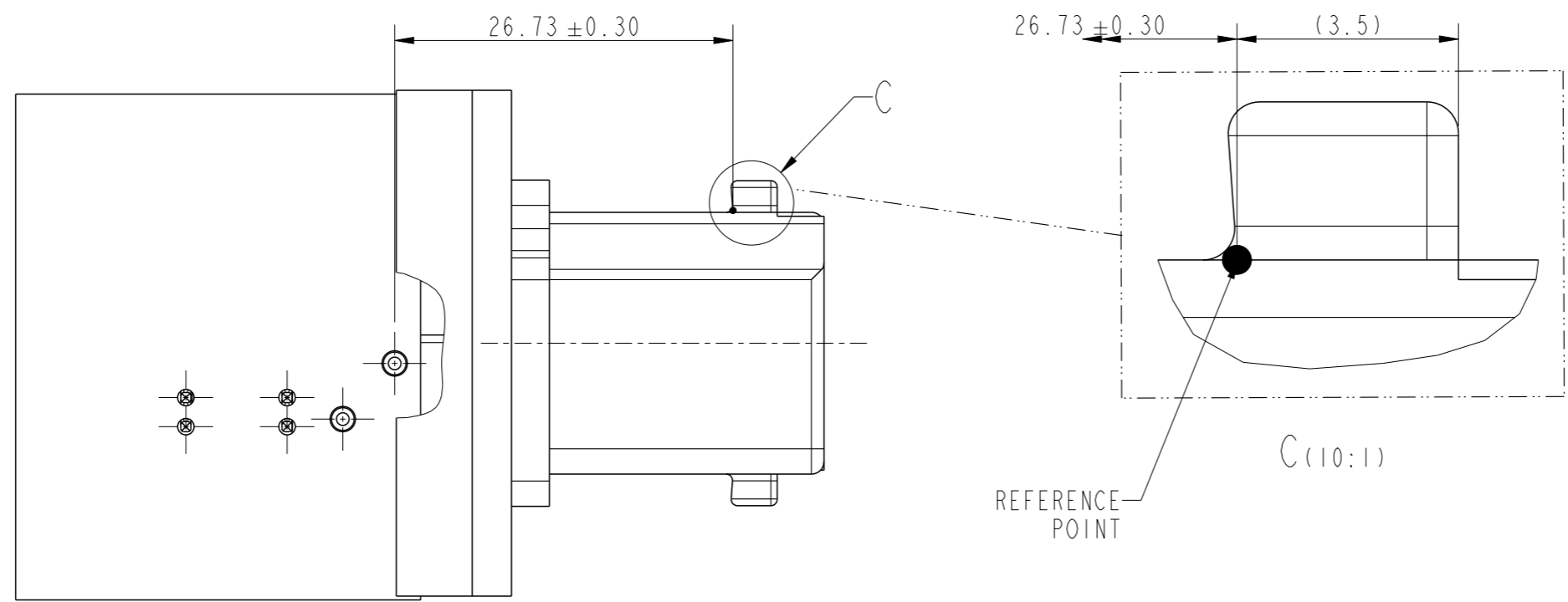
1. PACKAGING DETAILS AS PER EIA-481 STD.
2. PACKING SHOULD BE ANTISTATIC.
3. MATERIAL :
CARRIER TAPE : POLYSTYRENE
COVER TAPE : POLYSTYRENE
4. NO: OF CONNECTORS PER REEL: 185
5. SHIPPABLE BOX OF DIMENSION 335X335X100MM; HEIGHT OF SHIPPABLE BOX MAY VARY DEPENDING ON ORDER MULTIPLES OF MOQ
6. SEAL THE BOX AND AFFIX REQUIRED TRACEABILITY LABELS

spec ref	-	dr	Alosius, Stali	2015/09/24	projection	mm	size	A3	scale	3:10	
tolerance std	ISO 406 ISO 1101	eng	Alosius, Stali	2022/06/03			ecn no	ELX-I-44851-1			
TOLERANCES UNLESS OTHERWISE SPECIFIED		chr	-	-			rel level	Released			
surface	linear	0.X	±0.3	Amphenol FCI	product family	OCTIS	dwg no	10133084-101		rev	J
		0.XX	±0.10		POWER OCTIS RA BOARD CONNECTOR						
		0.XXX	±0.050		2 POS POWER PIP TERMINATION						
ISO 1302	angular	0°	±2°	cat. no.	Product - Customer Drw		sheet 3 of 4				



NOTES:

1. IF A SCREW TYPE BULKHEAD IS USED, THEN THE CASTED MOUNTING PANEL SHOULD HAVE ON ITS REAR SIDE AN INTEGRAL RECTANGULAR REINFORCED RIBS OF 6MM THICKNESS AND 4MM WIDTH ALONG THE MOUNTING SCREW PLANE AT THE TOP AND BOTTOM TO ACCOMODATE THE BLIND INTERNAL SCREW THREAD. IT IS NOT APPLICABLE FOR INTEGRATED BULKHEAD CASTED WITH MOUNTING PANEL
2. IF THE BULKHEAD IS SCREW TYPE THEN THE SCREWS TO BE USED ARE M3; RECOMMENDED SCREW - M3X8MM. MATERIAL - STAINLESS STEEL
3. BULKHEAD PART NO: 10138459-101LF



SECTION A-A

Amphenol
FCi

© 2020 Amphenol Corporation

spec ref	-	dr	Alosius, Stali	2015/09/24	projection	mm	size	A3	scale	1:2	
tolerance std	ISO 406 ISO 1101	eng	Alosius, Stali	2022/06/03			ecn no	ELX-I-44851-1			
TOLERANCES UNLESS OTHERWISE SPECIFIED		chr	-	-				rel level	Released		
surface	linear	appr	Kuriakose, San	2022/06/03	product family	OCTIS	rel level	Released			
ISO 1302	angular	0°	±2°	Amphenol FCi	POWER OCTIS RA BOARD CONNECTOR	2 POS POWER PIP TERMINATION	dwg no	10133084-101		rev	J
					cat. no.	-	Product - Customer Drw	sheet 4 of 4			