

10135261 - 10X LF

LEAD-FREE DESIGNATION
ONLY WITH APPLICABLE
PLATING CODES

SEE NOTE 2

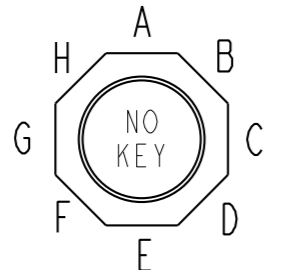
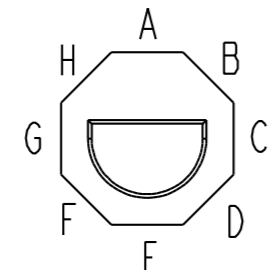
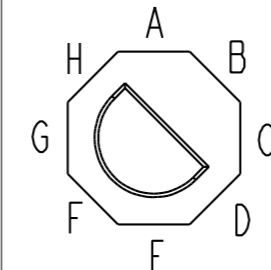
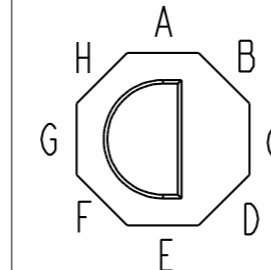
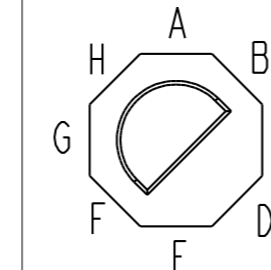
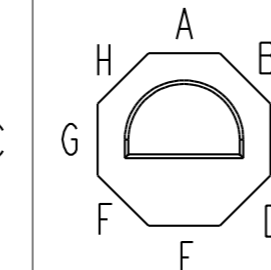
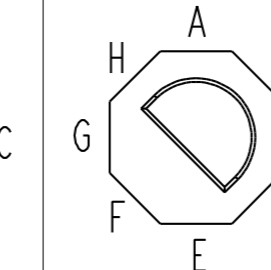
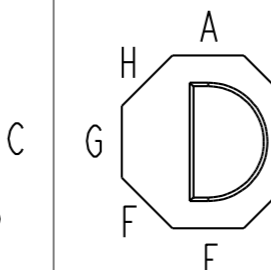
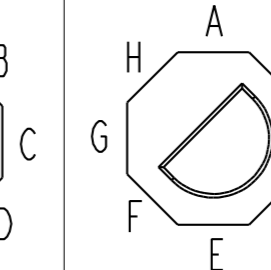
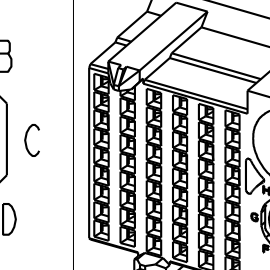
MODULE
DESCRIPTION

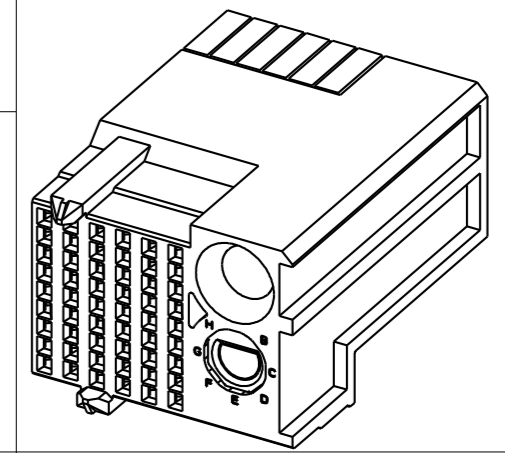
LETTER DESIGNATION REPRESENTED IN DASH NUMBER

BASE
MODULE

RIGHT
POLARIZING
GUIDANCE
MODULE
(SEE SHEET 3)

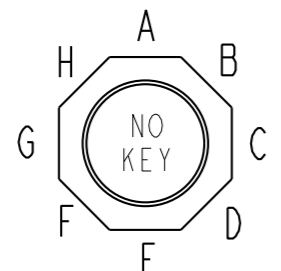
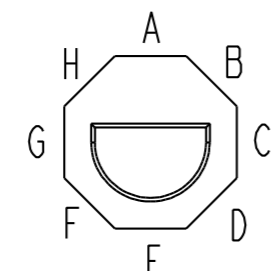
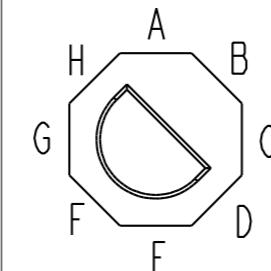
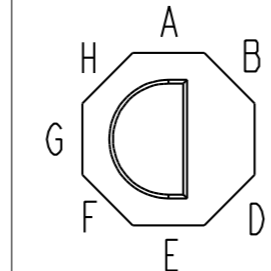
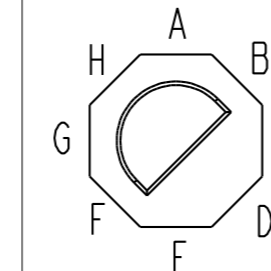
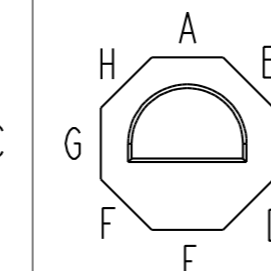
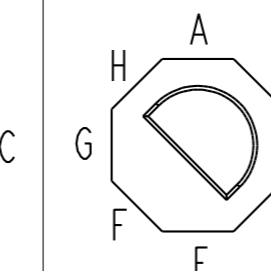
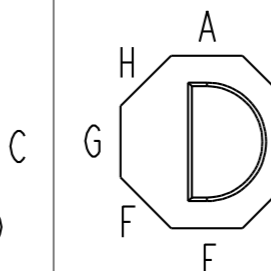
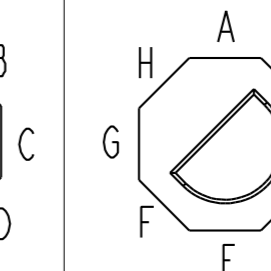
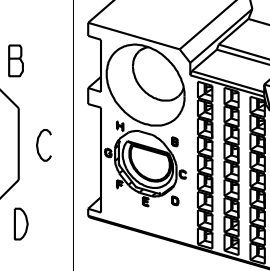
NO KEY
NO GUIDE PIN

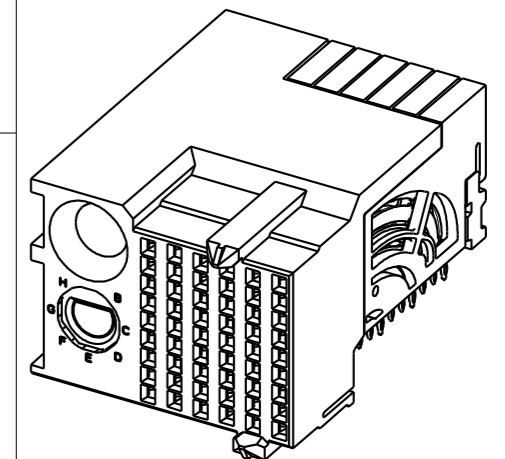
N	J (NO KEY)	A	B	C	D	E	F	G	H
									

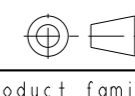




LEFT
POLARIZING
GUIDANCE
MODULE
(SEE SHEET 2)

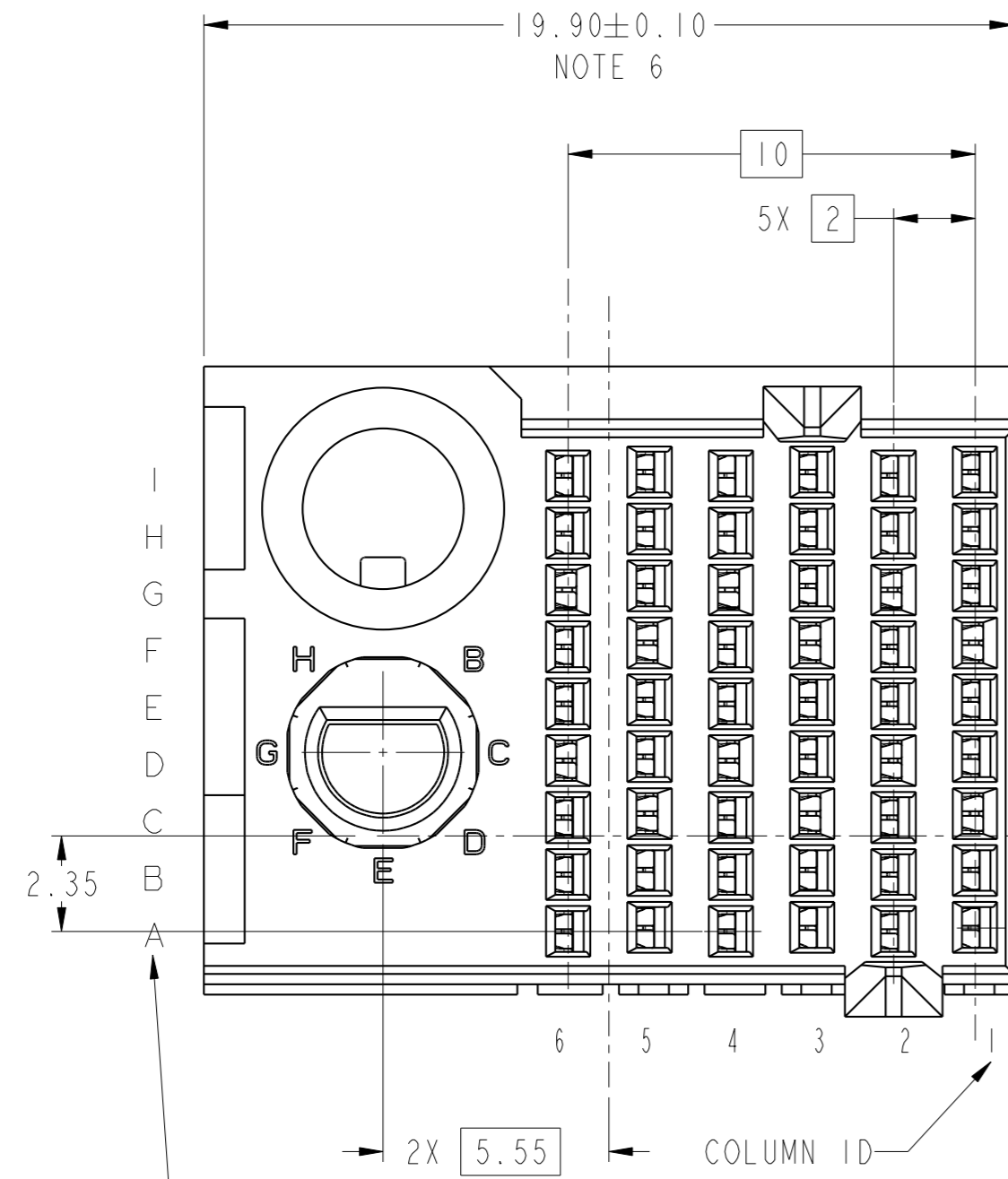
NO KEY
NO GUIDE PIN

Z	Y (NO KEY)	P	Q	R	S	T	U	V	W
									

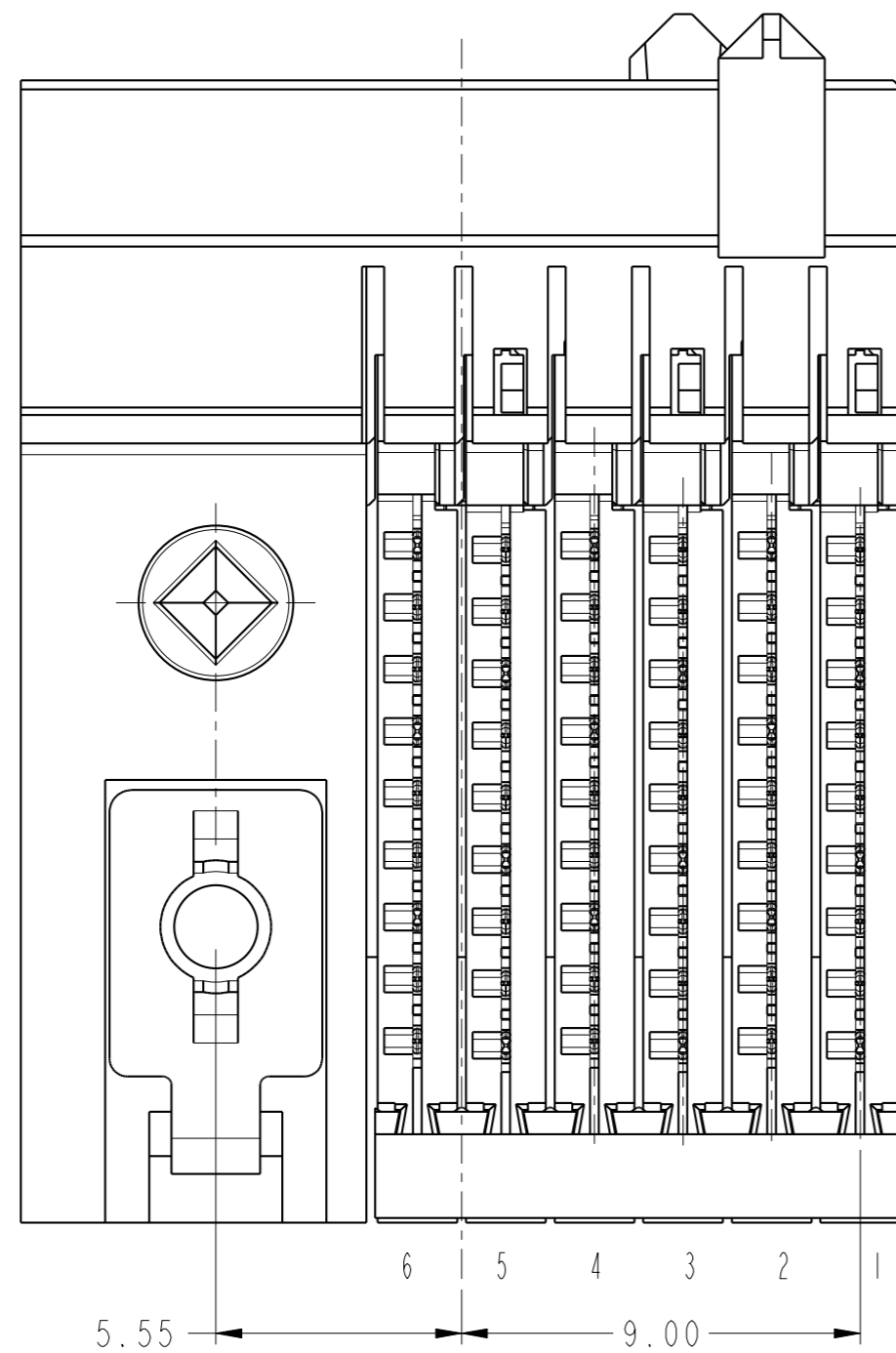


spec ref	---	dr	Jeny Ren	2015/05/15	projection	MM	size	A2	scale	8:1
tolerance std	ASME Y14.5M	eng	Terry Luo	2019/03/11			ecn no	ELX-DG-32840-1		
TOLERANCES UNLESS OTHERWISE SPECIFIED		chr	-	appr			Heaven Cen	2019/03/13	product family	AirMax VS2
surface	- ✓	linear	0.X	±.3		AIRMAX VS2 R.A. RECEPTACLE ASS'Y, 3 PAIR, 54 POS, 6 IMLA, 20MM, W/GUIDE/KEY	dwg no 10135261	rev C		
			0.XX	±.15						
			0.XXX	±.050						
		angular	0°	±°	cat. no.	-	Product - Customer Drw	sheet 1 of 4		

LEFT POLARIZATION WITH GUIDE



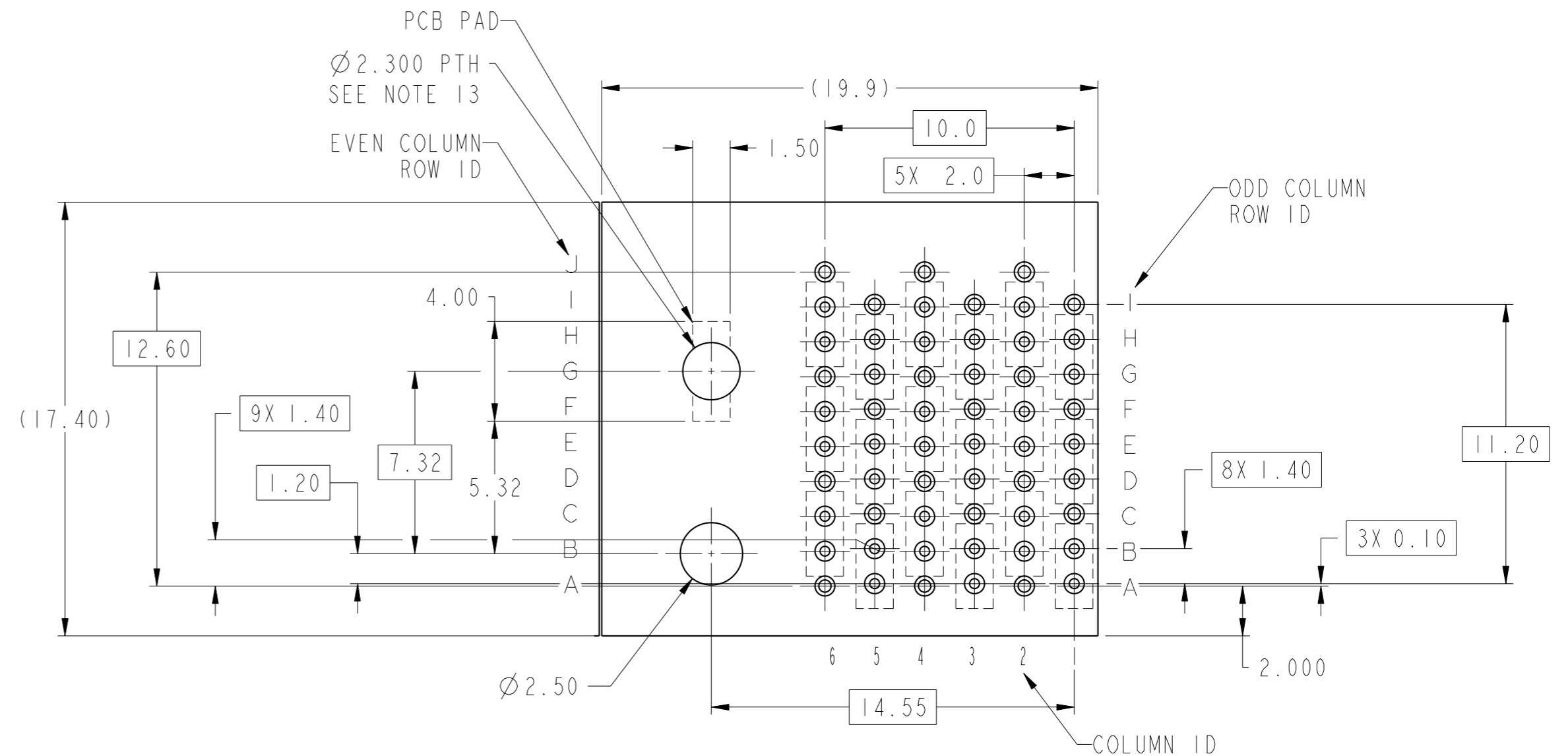
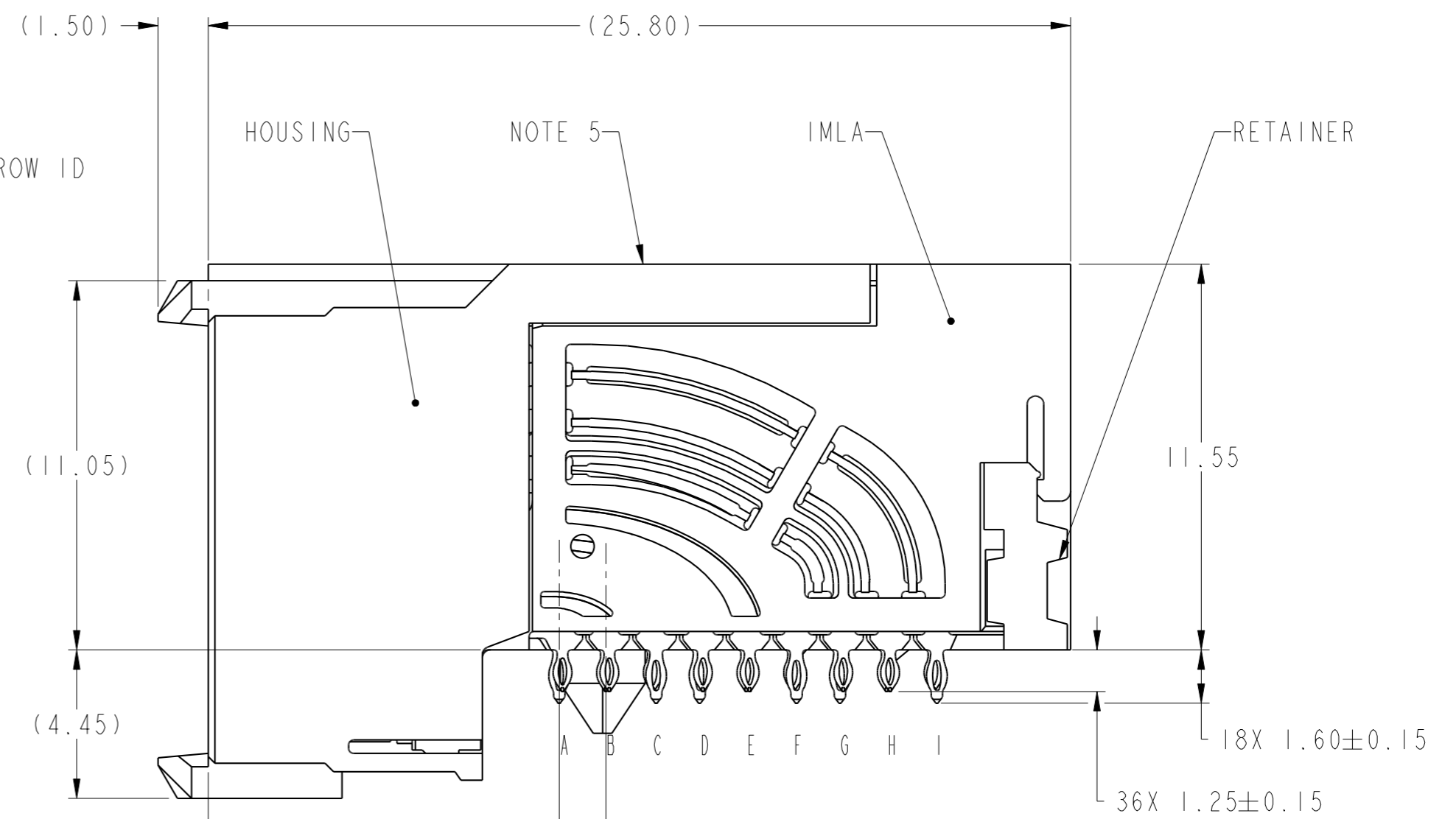
EVEN COLUMN, CONTACT ROW ID
ODD AND EVEN COLUMNS ARE OFFSET



ODD COLUMN, CONTACT ROW ID

TOP SURFACE OF DAUGHTER CARD

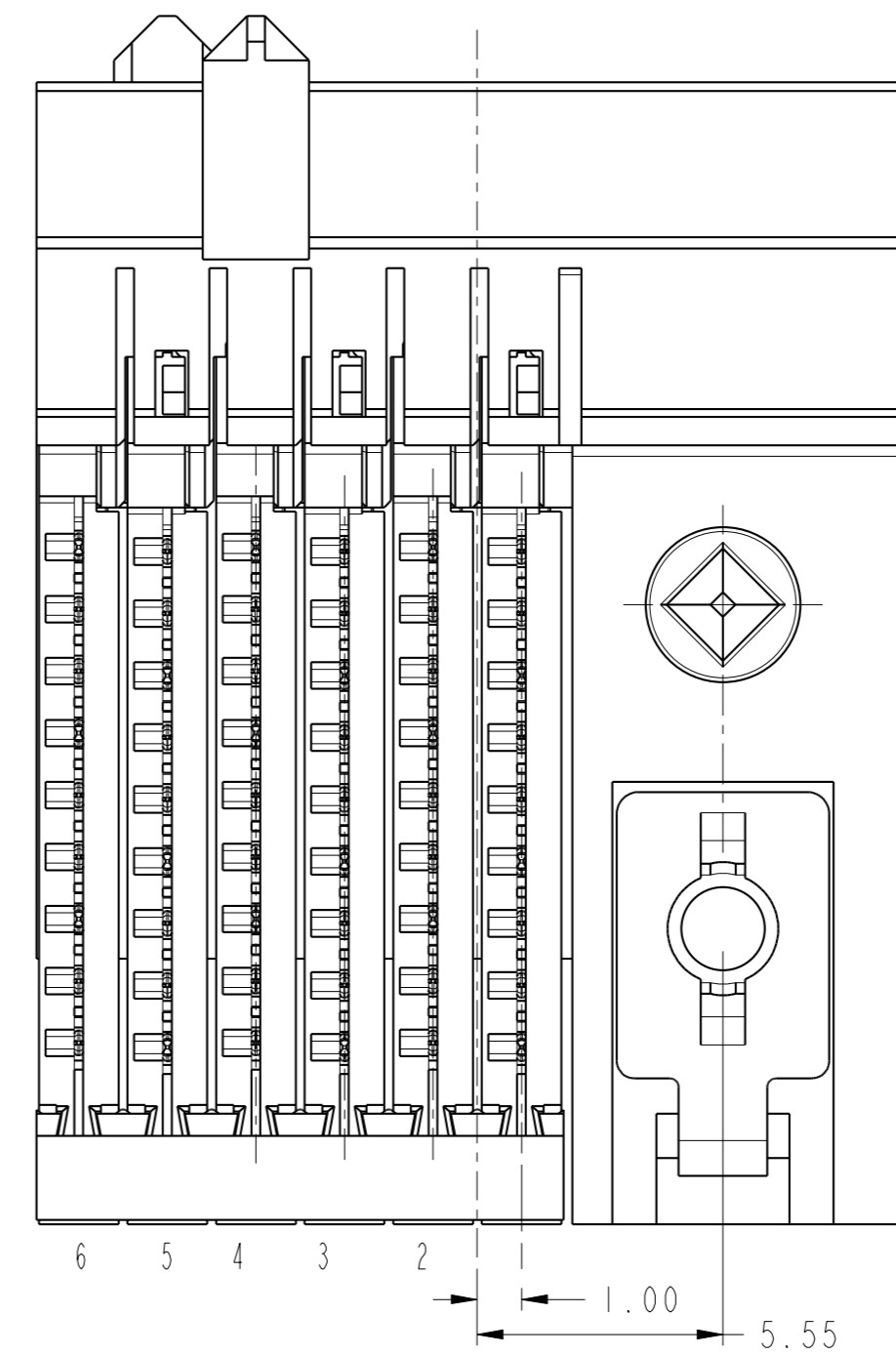
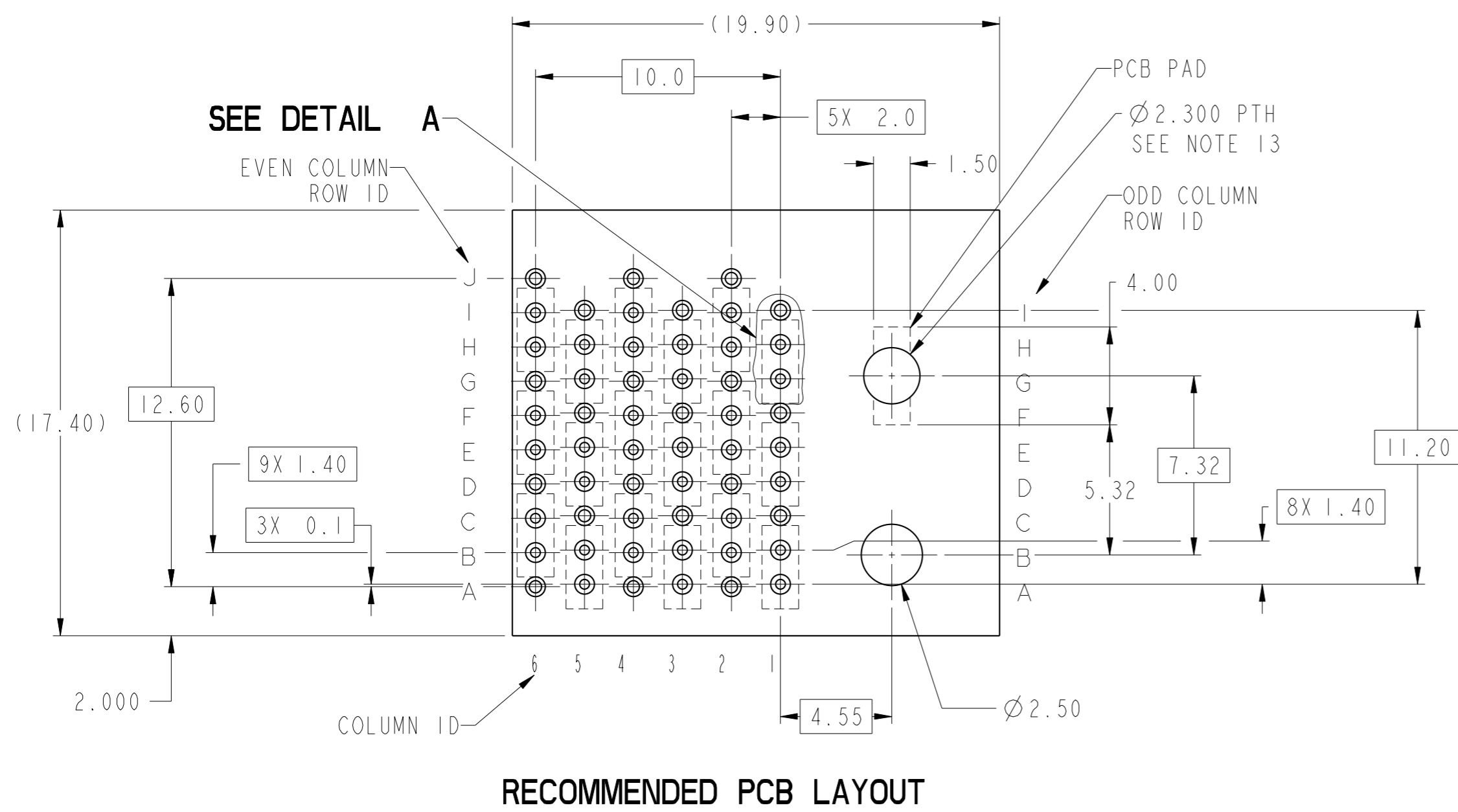
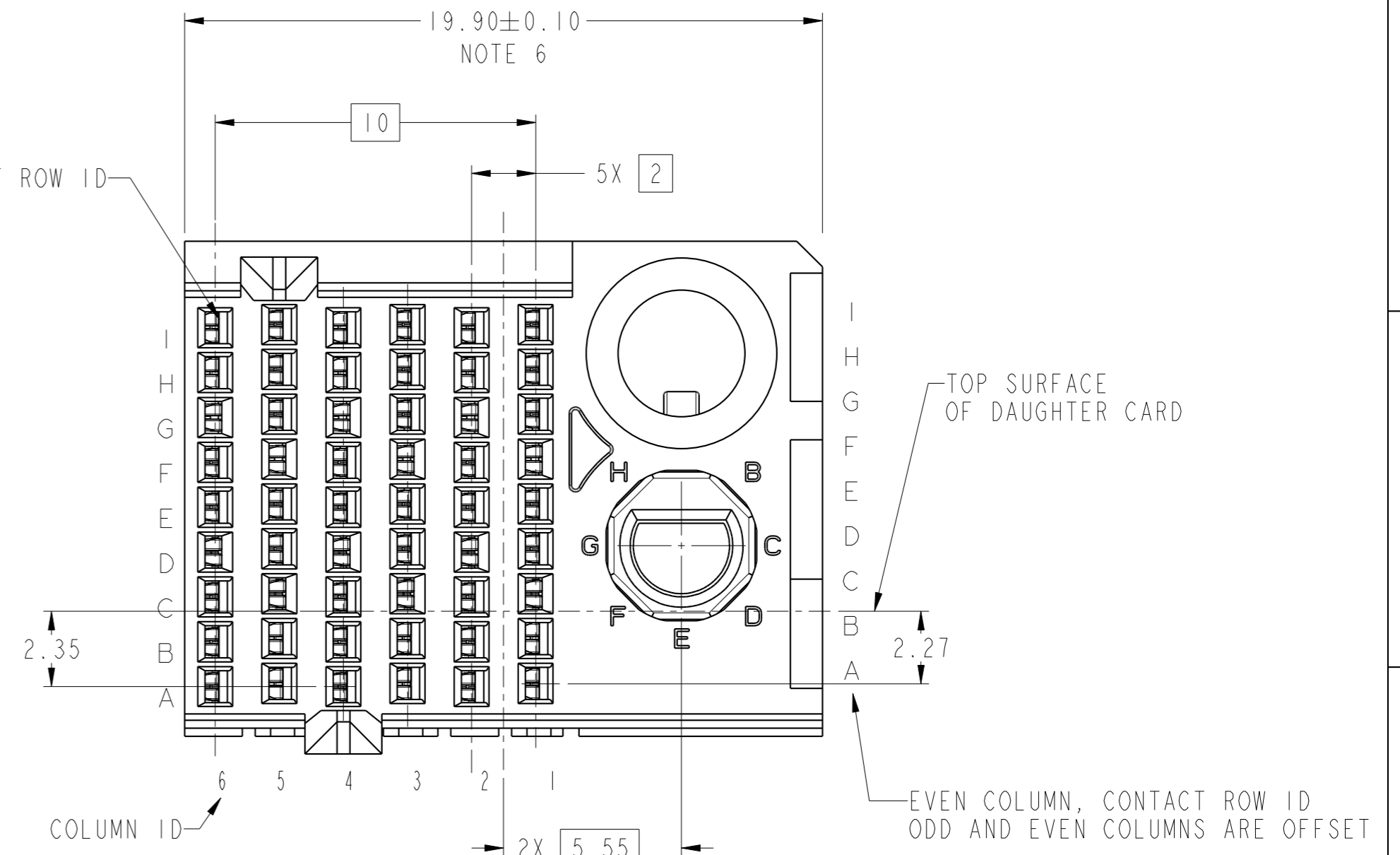
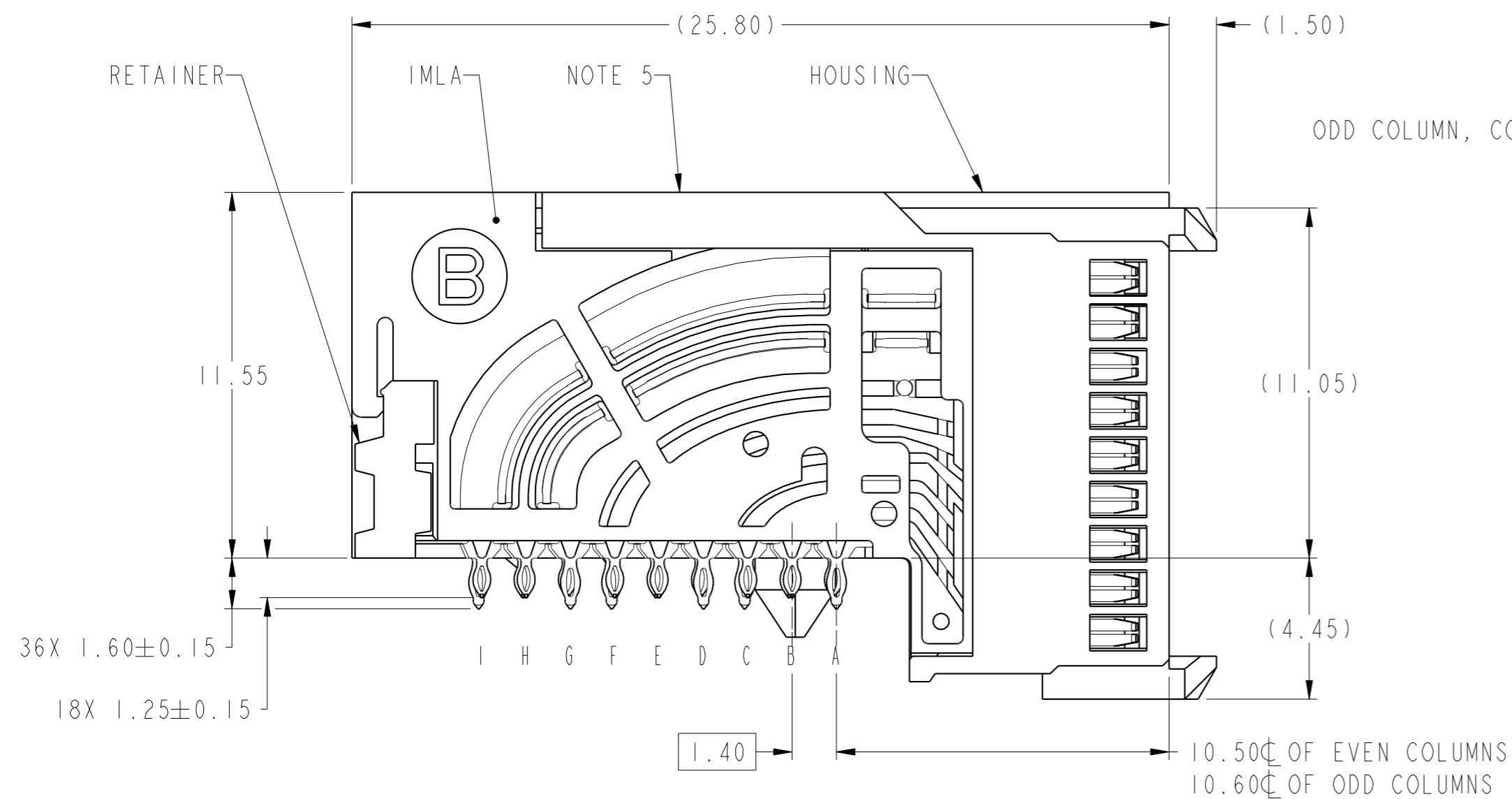
10.50 ϕ OF EVEN COLUMNS
10.60 ϕ OF ODD COLUMNS



RECOMMENDED PCB LAYOUT

spec ref	---	dr	Jeny Ren	2015/05/15	projection	MM	size	A2	scale	6:1	
tolerance std	ASME Y14.5M	eng	Terry Luo	2019/03/11			ecn no	ELX-DG-32840-1			
TOLERANCES UNLESS OTHERWISE SPECIFIED		chr	-	appr			Heaven Cen	2019/03/13	product family	AirMax VS2	
surface	-	linear	0.X	±.3		AIRMAX VS2 R.A. RECEPTACLE ASS'Y, 3 PAIR, 54 POS, 6 IMLA, 20MM, W/GUIDE/KEY	rel level	Released			
			0.XX	±.15			cat. no.	-	Product - Customer Drw	sheet 2 of 4	
		angular	0°	±°			title	10135261	rev	C	

RIGHT POLARIZATION WITH GUIDE



spec ref	---	dr	Jeny Ren	201505/15	projection	MM	size	A2	scale	8:1
tolerance std	ASME Y14.5M	eng	Terry Luo	2019/03/11			ecn no	ELX-DG-32840-1	rel level Released	rev C
TOLERANCES UNLESS OTHERWISE SPECIFIED		chr	-	product family			AIRMAX VS2			
surface	linear	0.X	±.3	Amphenol FCI			title AIRMAX VS2 R.A. RECEPTACLE ASS'Y, 3 PAIR, 54 POS, 6 IMLA, 20MM, W/GUIDE/KEY	dwg no 10135261		
	angular	0°	±°	cat. no.	-	Product - Customer Drw	sheet 3 of 4			

PDS: Rev :C

STATUS:Released

Printed: Mar 15, 2019

Amphenol FCI

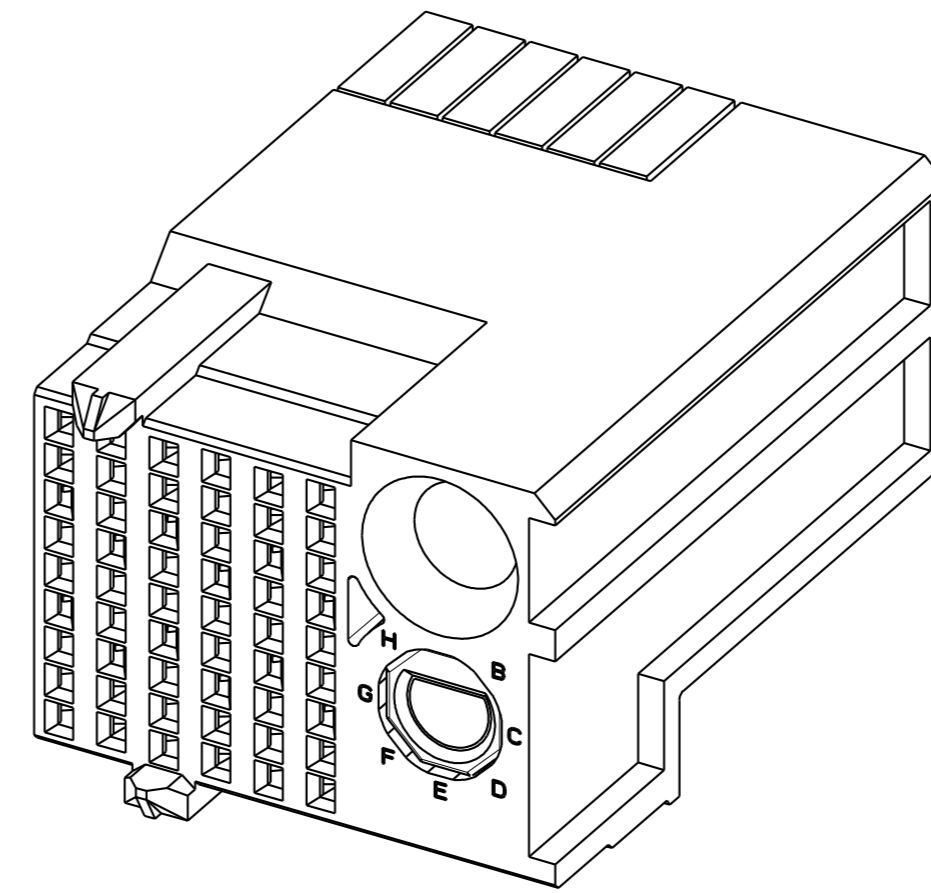
© 2016 AFCI

PRODUCT NUMBER	PRESS-FIT TAIL PLATING TYPE
10135261-10ALF	TIN OVER NICKEL (LEAD FREE)
10135261-10PLF	TIN OVER NICKEL (LEAD FREE)

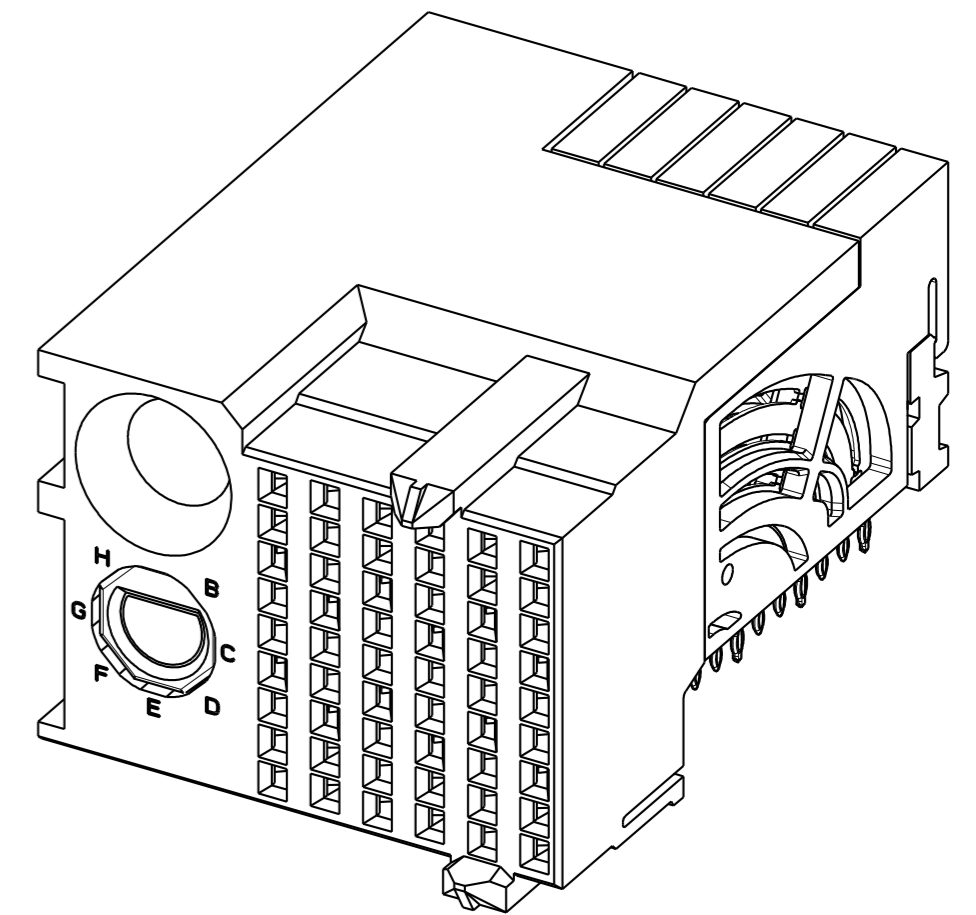
- 1 - CONNECTOR MATERIALS:
HOUSING: HIGH TEMP THERMOPLASTIC, NATURAL, UL94-V0
IMLA PLASTIC: HIGH TEMP THERMOPLASTIC, BLACK, UL94-V0
CONTACT: COPPER ALLOY
ORGANIZER: HIGH TEMP THERMOPLASTIC, WHITE, UL94-V0
- 2 - CONTACT PLATING:
SEPARABLE INTERFACE:
PERFORMANCE-BASED PLATING, QUALIFIED TO MEET THE REQUIREMENTS OF FCI PRODUCT SPECIFICATION GS-12-0956 INCLUDING TELCORDIA GR-1217-CORE (NOVEMBER 1995) CENTRAL OFFICE TEST SEQUENCE

PRESS-FIT TAILS: SEE TABLE

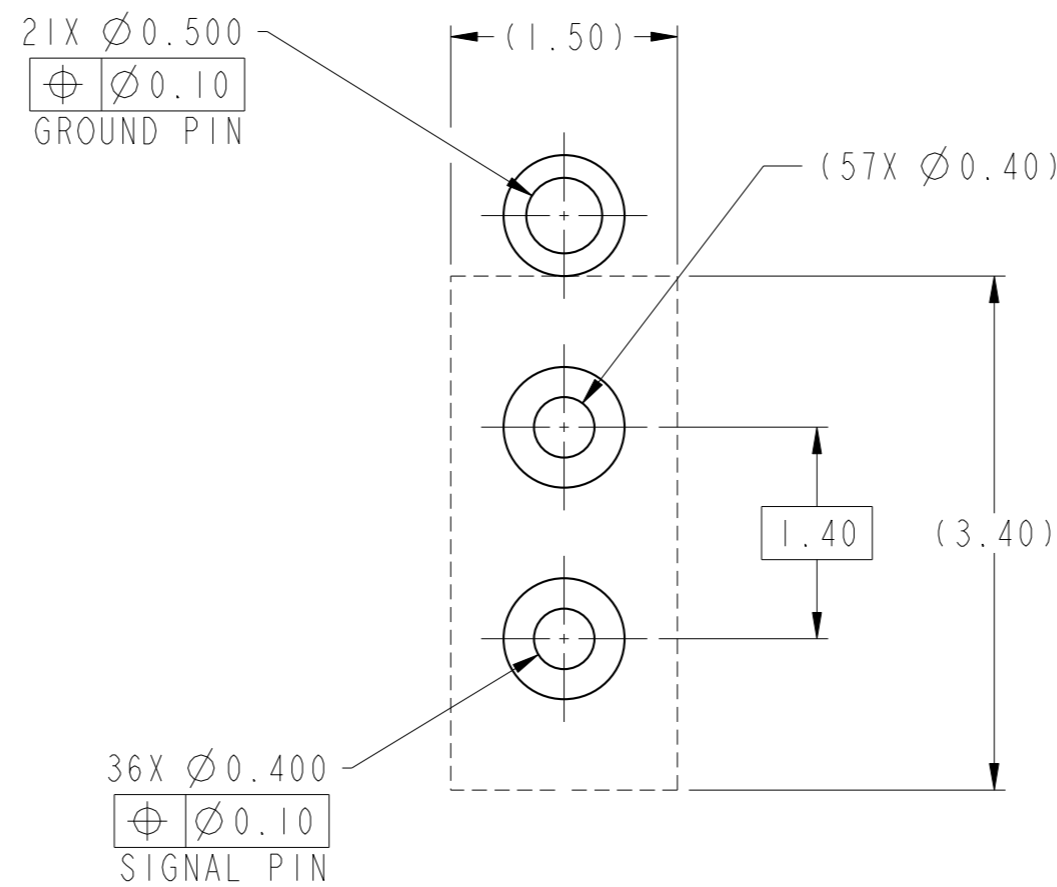
- 3 - PRODUCT SPECIFICATION: GS-12-0956
- 4 - APPLICATION SPECIFICATION: GS-20-0305.
- 5 - PRODUCT MARKING, (PART NUMBER & LOT CODE), ON THIS SURFACE.
- 6 - THE MINIMUM CENTERLINE SPACING BETWEEN ADJACENT MODULES IS 20.0 MM.
- 7 - CONNECTOR OUTLINE MAY BE SCREEN PRINTED ONTO CUSTOMER PCB TO BE USED AS A GUIDE FOR MANUAL CONNECTOR PLACEMENT.
- 8 - REFER TO CUSTOMER DRAWING 10104444 FOR INFORMATION ON PCB HOLE DIAMETERS AND PLATING OPTIONS
- 9 - LEAD FREE PRODUCT MEETS THE EUROPEAN UNION DIRECTIVES & OTHER COUNTRY REGULATIONS AS DESCRIBED IN GS-22-008
- 10 - PACKAGING MEETS GS-14-920 LEAD FREE LABELING SPECIFICATION.
- 11 - GROUND CONTACTS (C,F, AND I IN ODD COLUMNS AND A, D, AND G, EVEN COLUMNS) REQUIRE (Ø0.500) FINISHED HOLES. SIGNAL LOCATIONS REQUIRE (Ø0.400) FINISHED HOLES.
- 12 - THESE OUTER VIAS (J) ARE OPTIONAL. WHILE NO CONNECTOR EONS ARE PRESSED INTO THESE HOLES WE RECCOMEND (Ø0.500) FINISHED HOLES AT THESE LOCATIONS TO PROVIDE GROUND SYMMETRY THROUGH THE PCB.
- 13 - CUSTOMER CAN FIX THE CONNECTOR WITH THREAD FORMING SCREW THROUGH THIS PTH. THE SCREW IS #2-32, THE VALID LENGTH OF SCREW IS 4.5MM PLUS THE THICKNESS OF PCB.



10135261 -10ALF



10135261-10PLF



DETAIL A
SCALE 20:1

spec ref	---	dr	Jeny Ren	201505/15	projection	MM	size	A2	scale	6:1
tolerance std	ASME Y14.5M	eng	Terry Luo	2019/03/11			ecn no	ELX-DG-32840-1	rel level	Released
TOLERANCES UNLESS OTHERWISE SPECIFIED		chr	-	appr			Heaven Cen	2019/03/13		product family
surface	linear	0.X	±.3		TITLE		AIRMAX VS2 R.A. RECEPTACLE	dwg no 10135261	rev C	
		0.XX	±.15		ASS'Y, 3 PAIR, 54 POS, 6 IMLA, 20MM, W/GUIDE/KEY					
		0.XXX	±.050		cat. no.					
	angular	0°	±°	Product - Customer Drw		sheet 4 of 4				