

10135278 - 10X LF

LEAD-FREE DESIGNATION
ONLY WITH APPLICABLE
PLATING CODES

SEE NOTE 2

LETTER DESIGNATION REPRESENTED IN DASH NUMBER

MODULE DESCRIPTION	LETTER DESIGNATION REPRESENTED IN DASH NUMBER										BASE MODULE
LEFT POLARIZING GUIDANCE MODULE (SEE SHEET 3)	N	J (NO KEY)	A	B	C	D	E	F	G	H	
	NO KEY NO GUIDE PIN										
RIGHT POLARIZING GUIDANCE MODULE (SEE SHEET 2)	Z	Y (NO KEY)	P	Q	R	S	T	U	V	W	
	NO KEY NO GUIDE PIN										

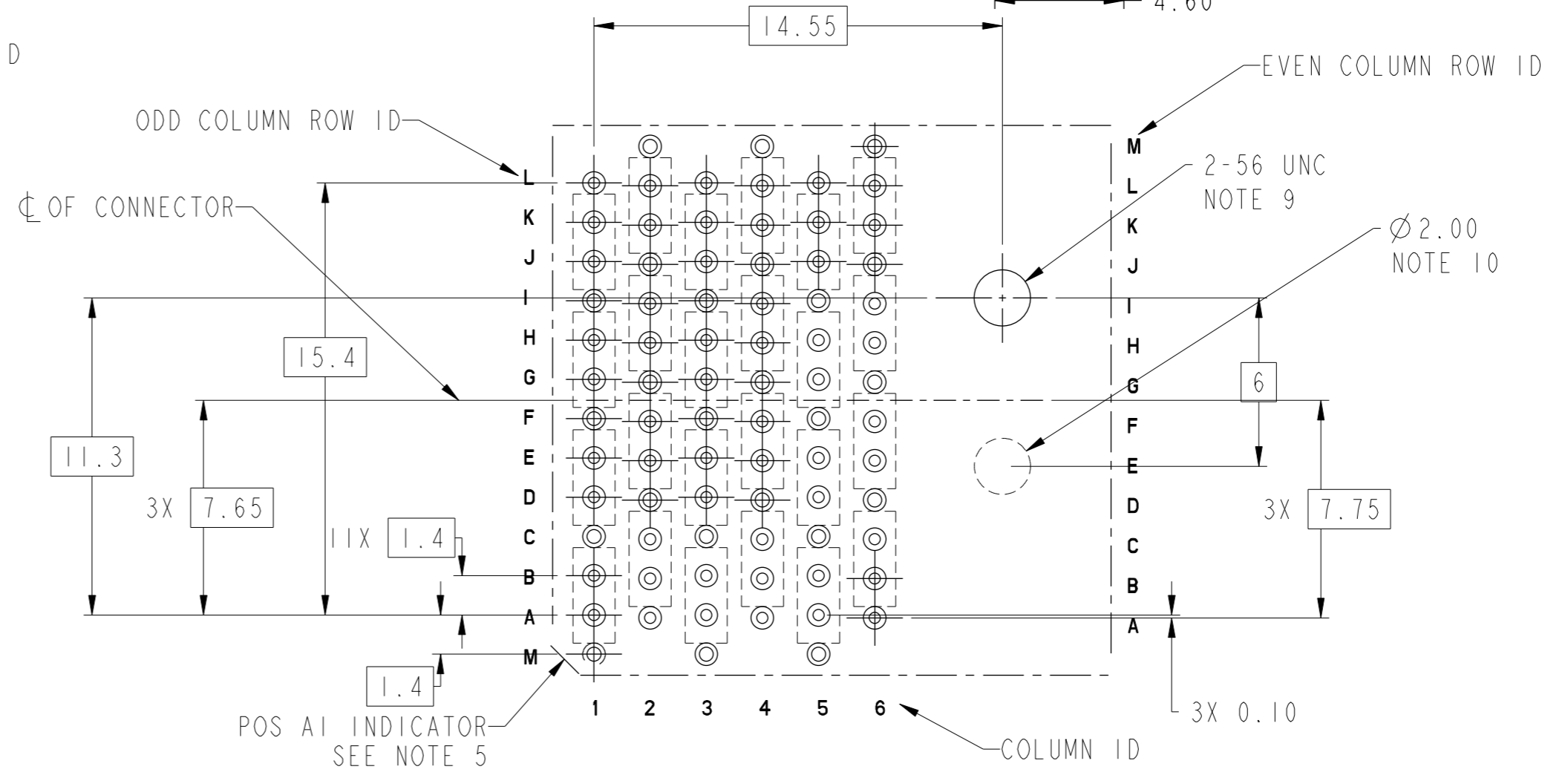
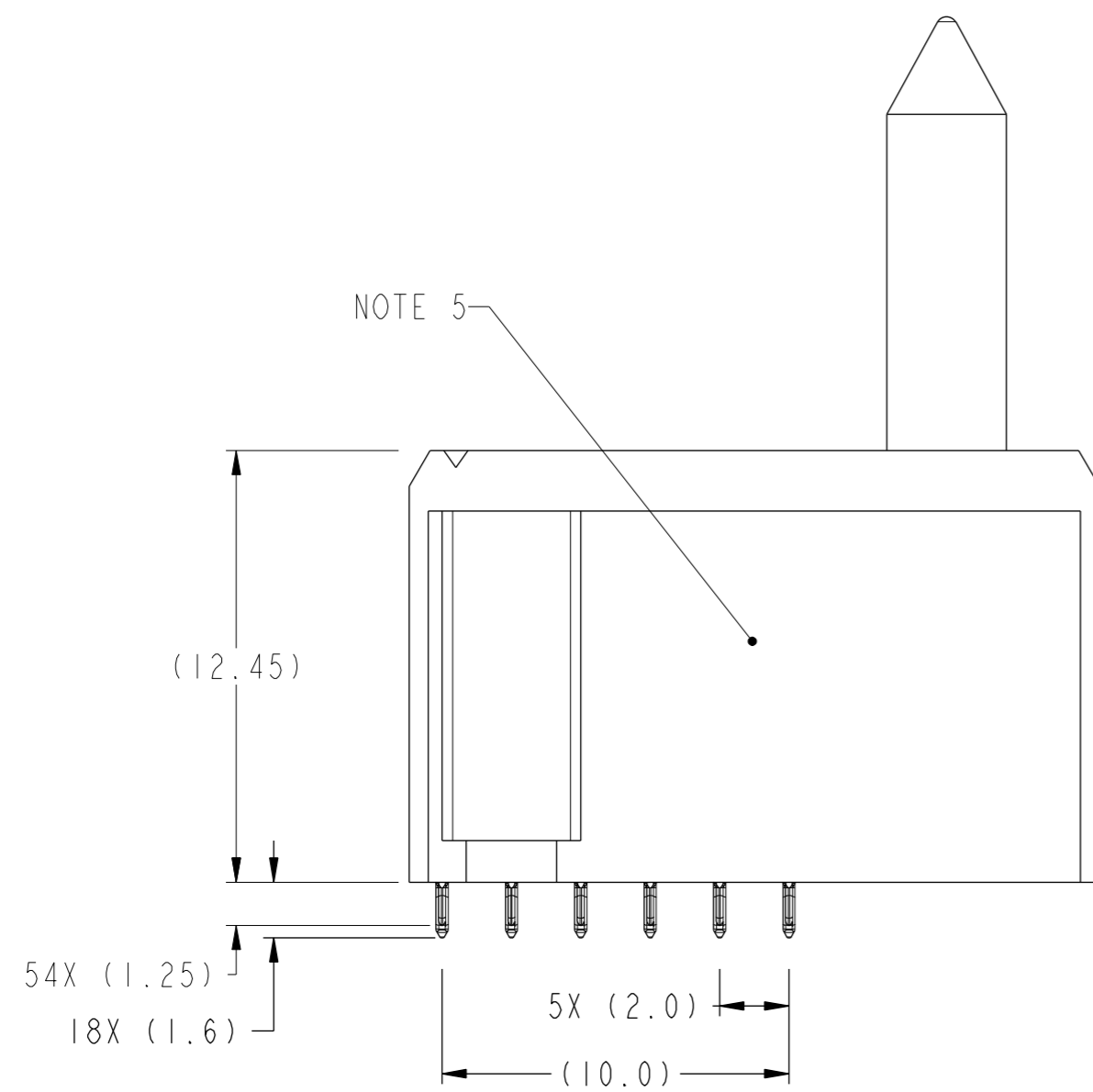
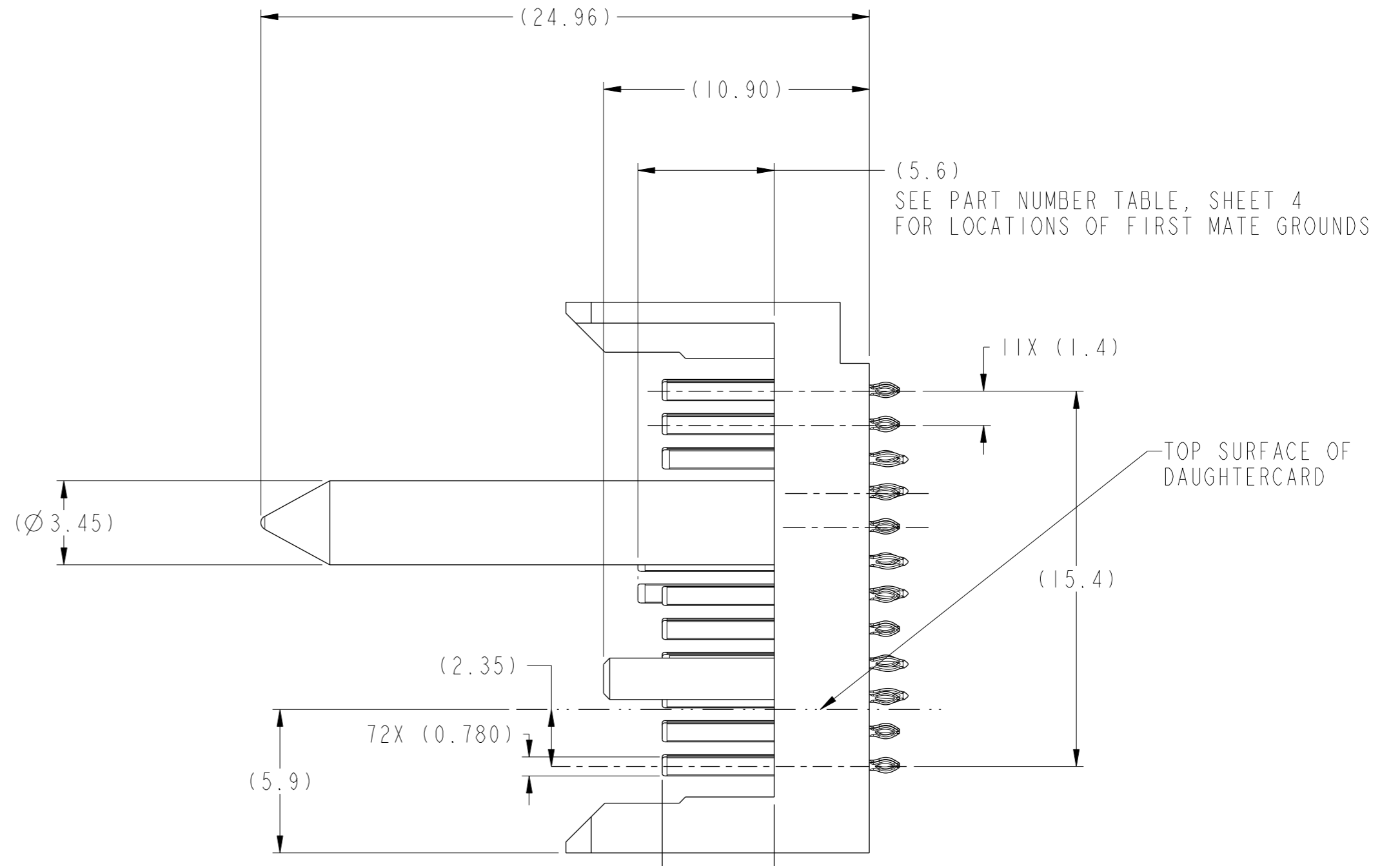
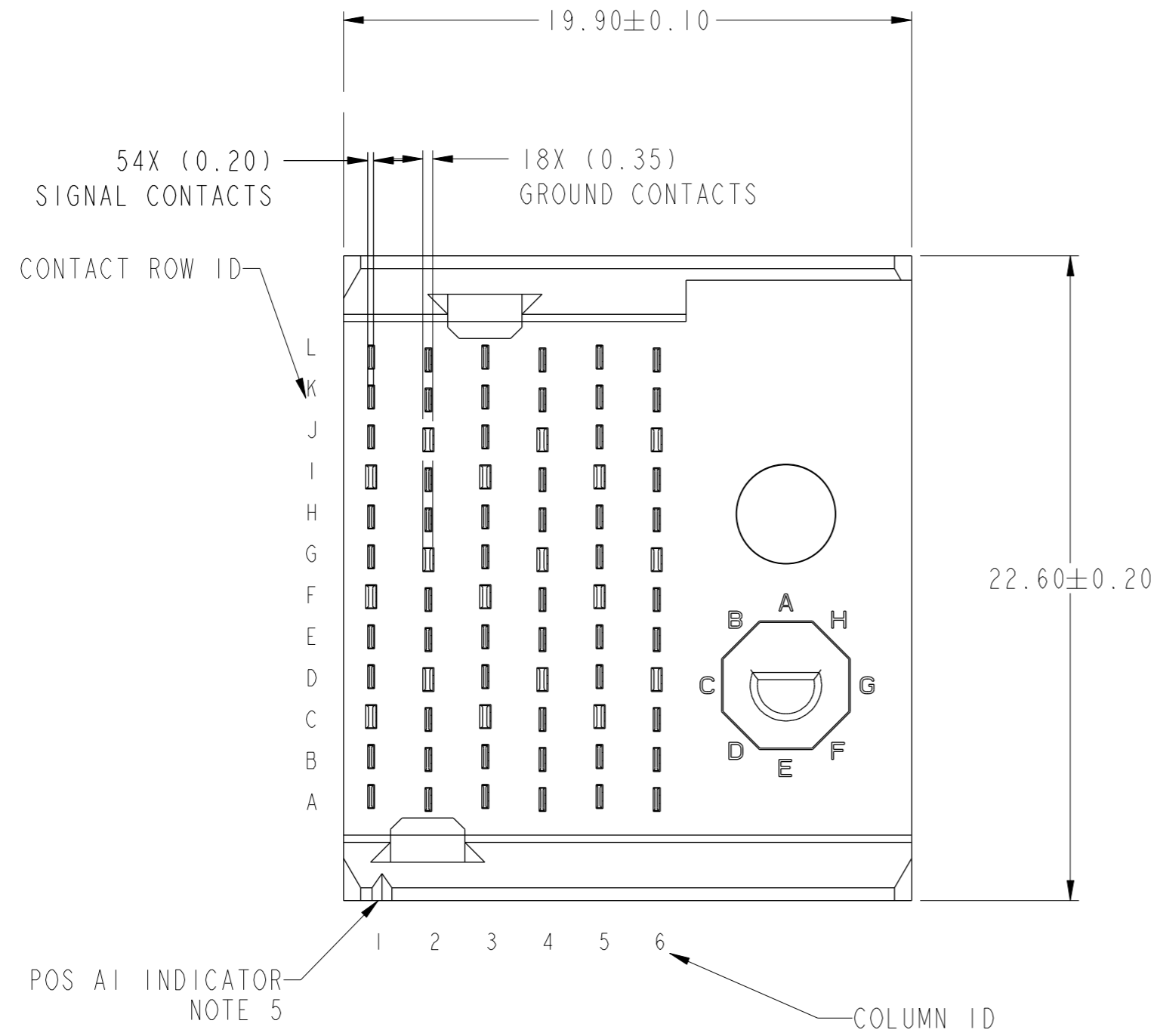
NOT TOOLED
PRELIMINARY

spec ref	-	dr	Tao Zhan	20150518	projection	MM	size	A2	scale	5:1
tolerance std	ASME Y14.5	eng	Tao Zhan	20160314	chr	-	ecn no	-	rel level	Preliminary
TOLERANCES UNLESS OTHERWISE SPECIFIED		app	-	product family	AIRMAX VS2		cat. no.	-	Product - Customer Drw	sheet 1 of 4
surface	-	linear	0.X	±0.3	Amphenol FCI	AIRMAX VERTICAL HEADER	10135278	1	rev	1
			0.XX	±0.15						
			0.XXX	±0.050						
		angular	0°	±2°						

Amphenol FCI

© 2016 AFCI

RIGHT POLARIZING WITH GUIDE



RECOMMENDED PCB DETAILS
SEE NOTE 6 & 11
SCALE 5:1

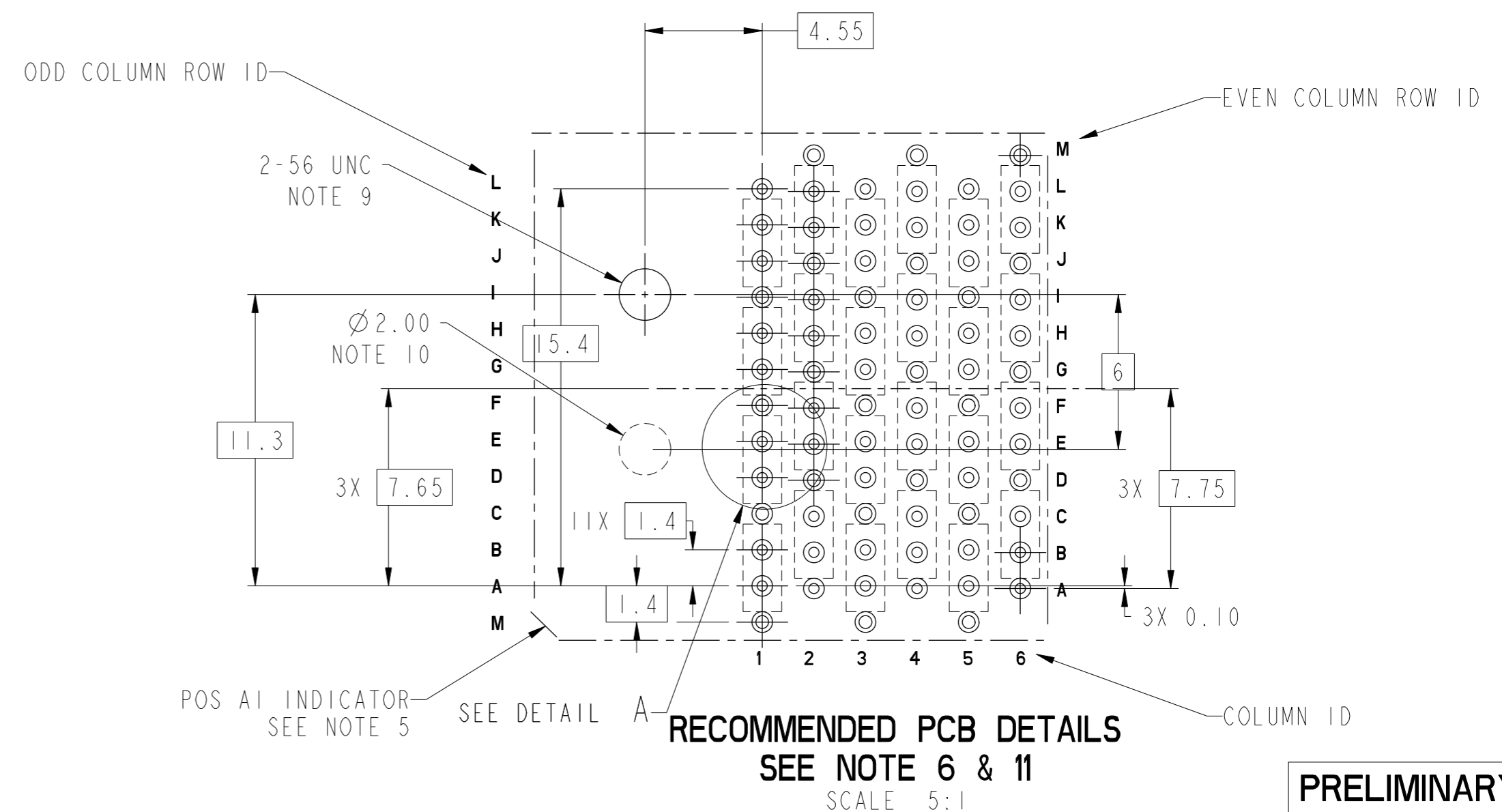
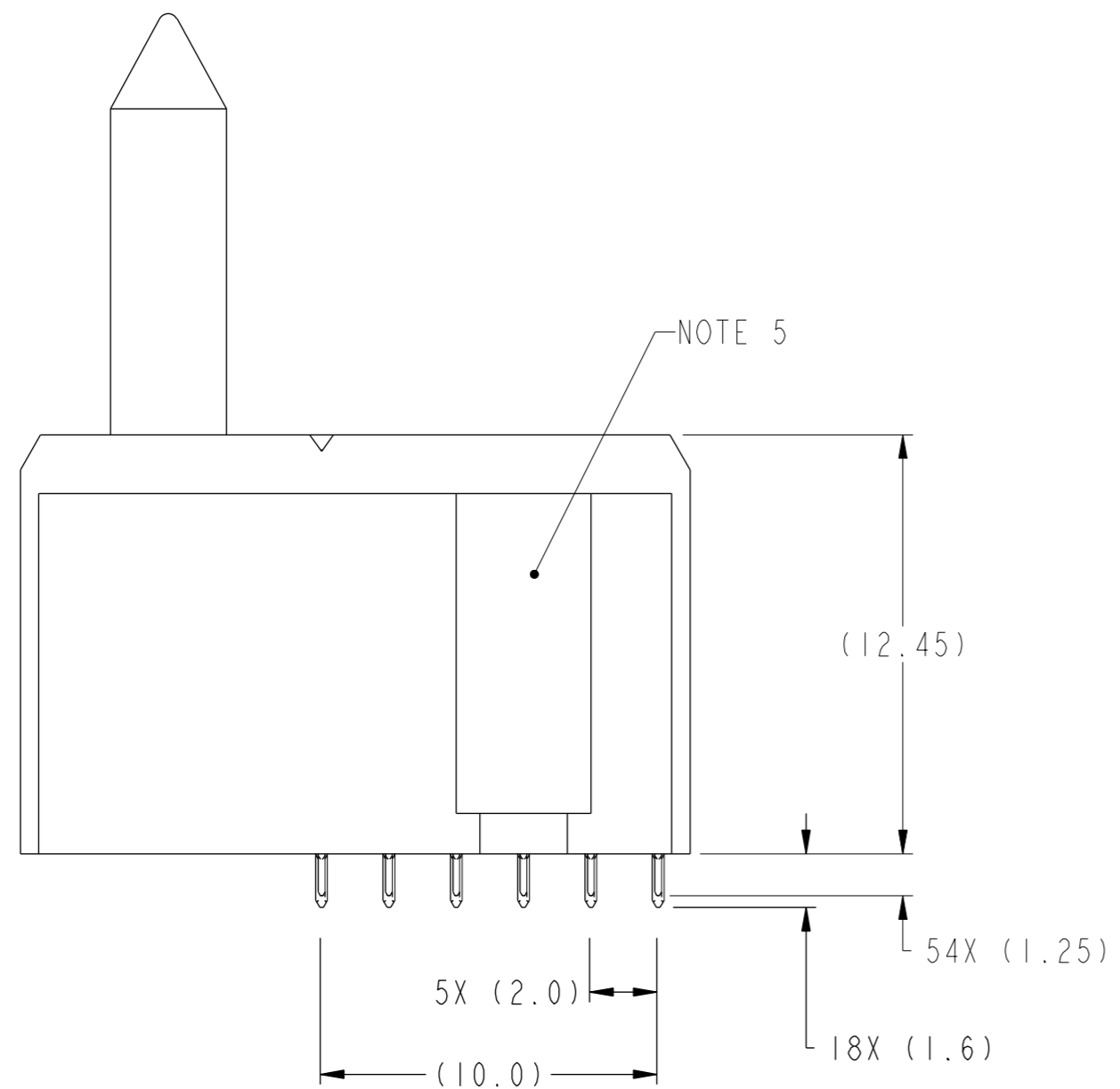
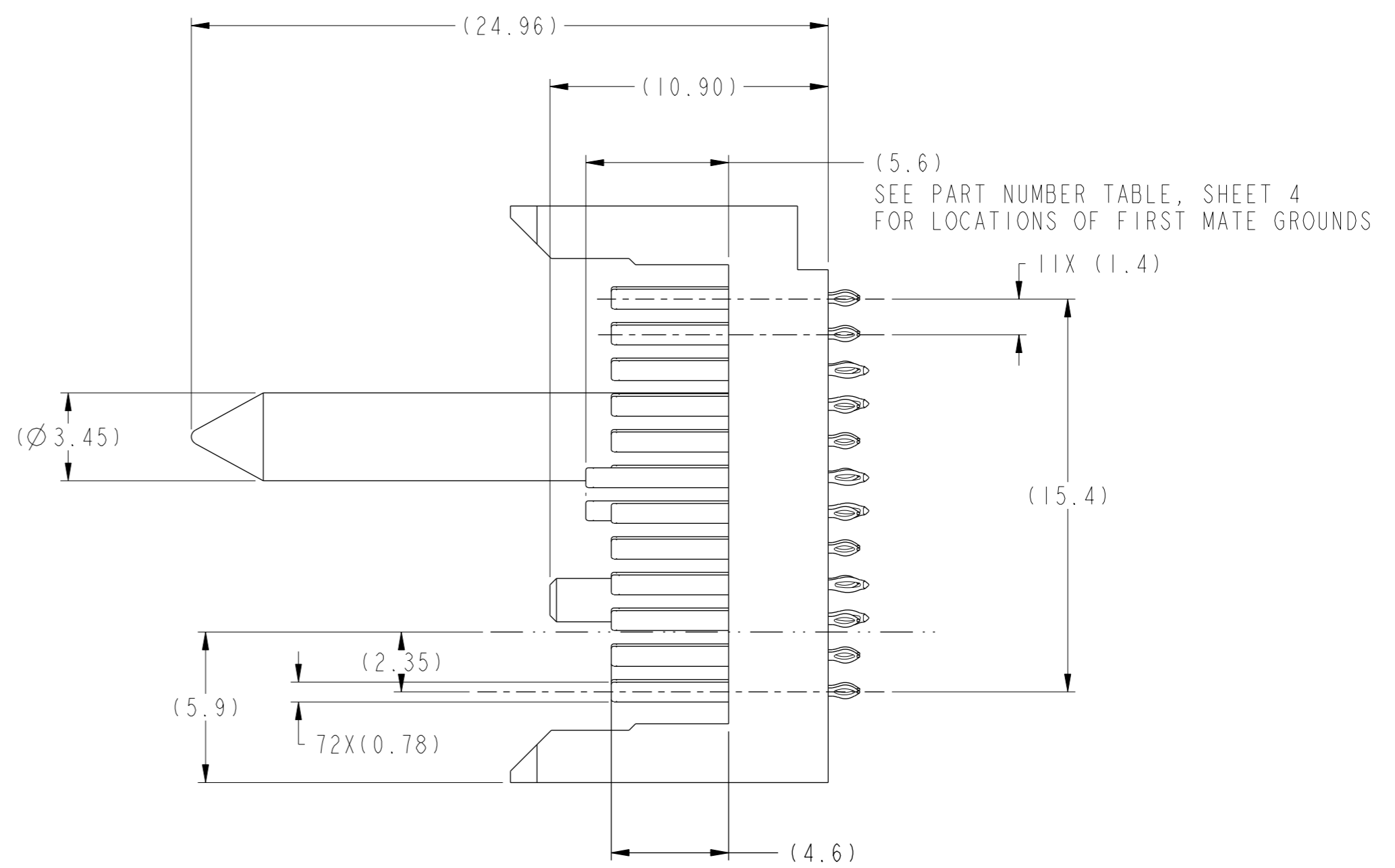
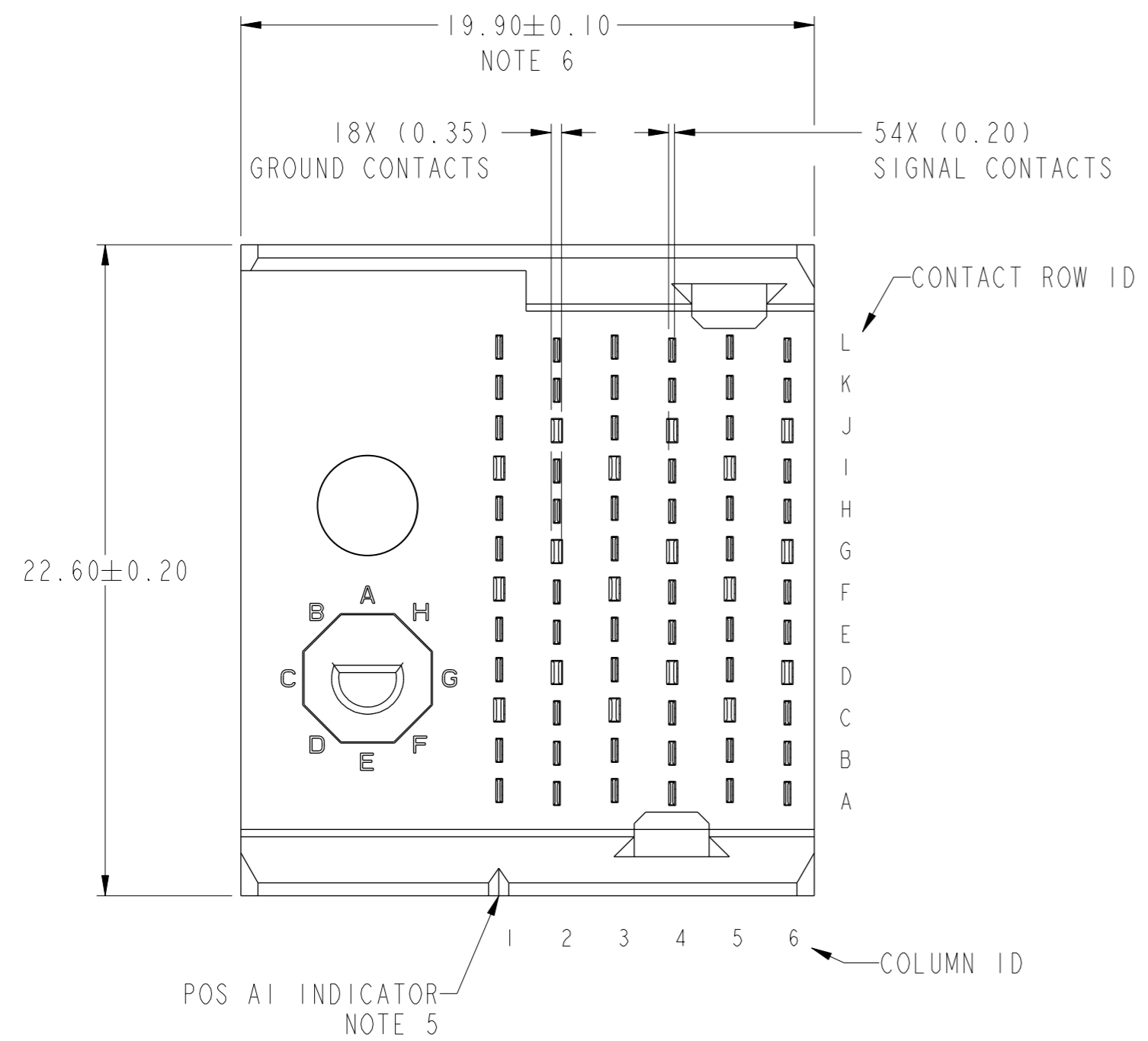
spec ref	-	dr	Tao Zhan	2015/05/18	projection	MM	size	A2	scale	5:1
tolerance std	ASME Y14.5	eng	Tao Zhan	2016/03/14	chr	-	ecn no	-	rel level	Preliminary
surface	-	appr	-	-	product family	AIRMAX VS2	cat. no.	-	Product - Customer Drw	sheet 2 of 4
ASME Y14.5	linear	0.X	±0.3	0.XX	±0.15	0.XXX	±0.050	angular	0°	±2°
Amphenol FCI AIRMAX VERTICAL HEADER PRESS-FIT, 4-PAIR, 72 POS, W/G							title 10135278	rev 1		

PRELIMINARY

Amphenol FCI

© 2016 AFCI

LEFT POLARIZING WITH GUIDE



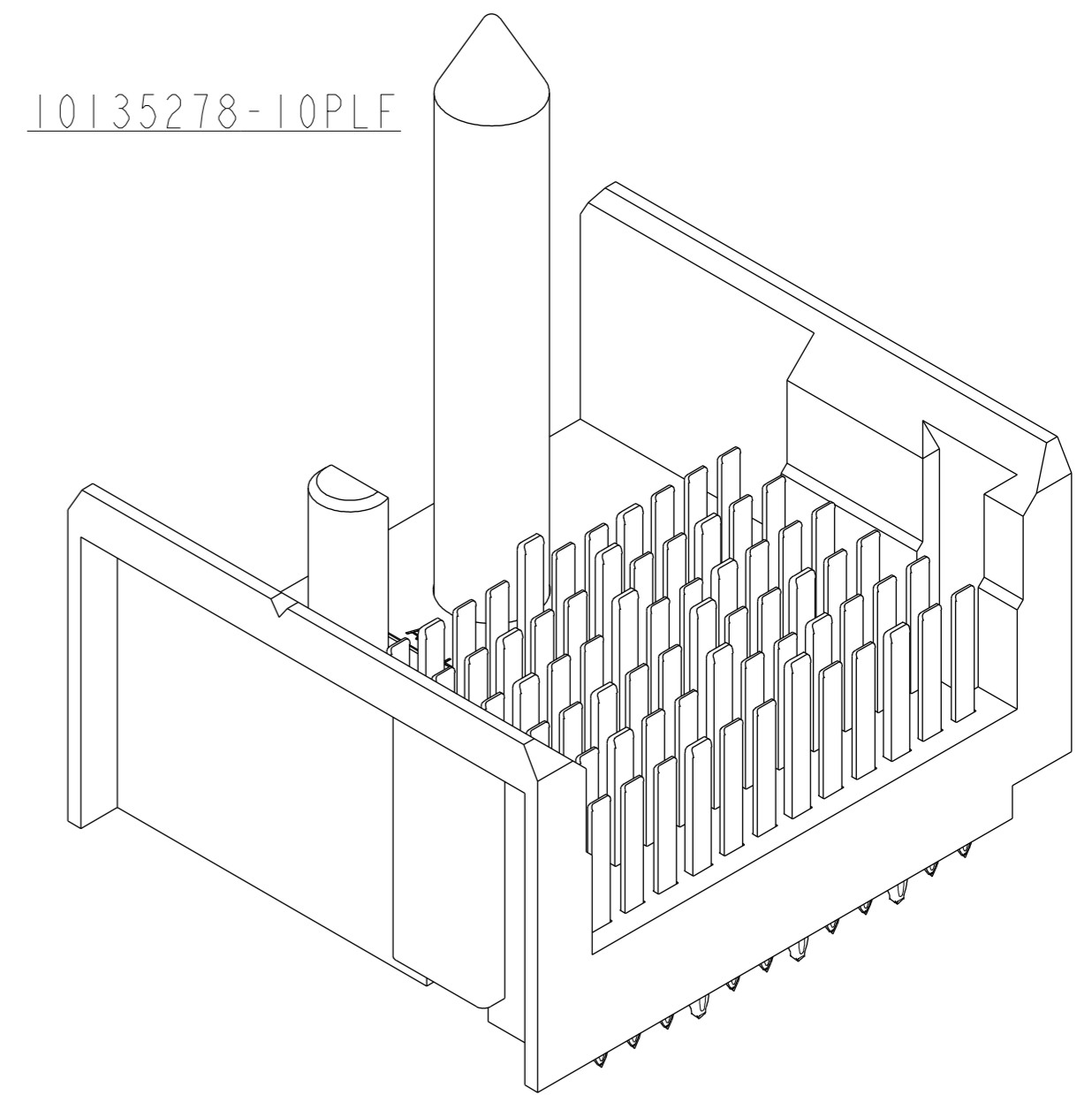
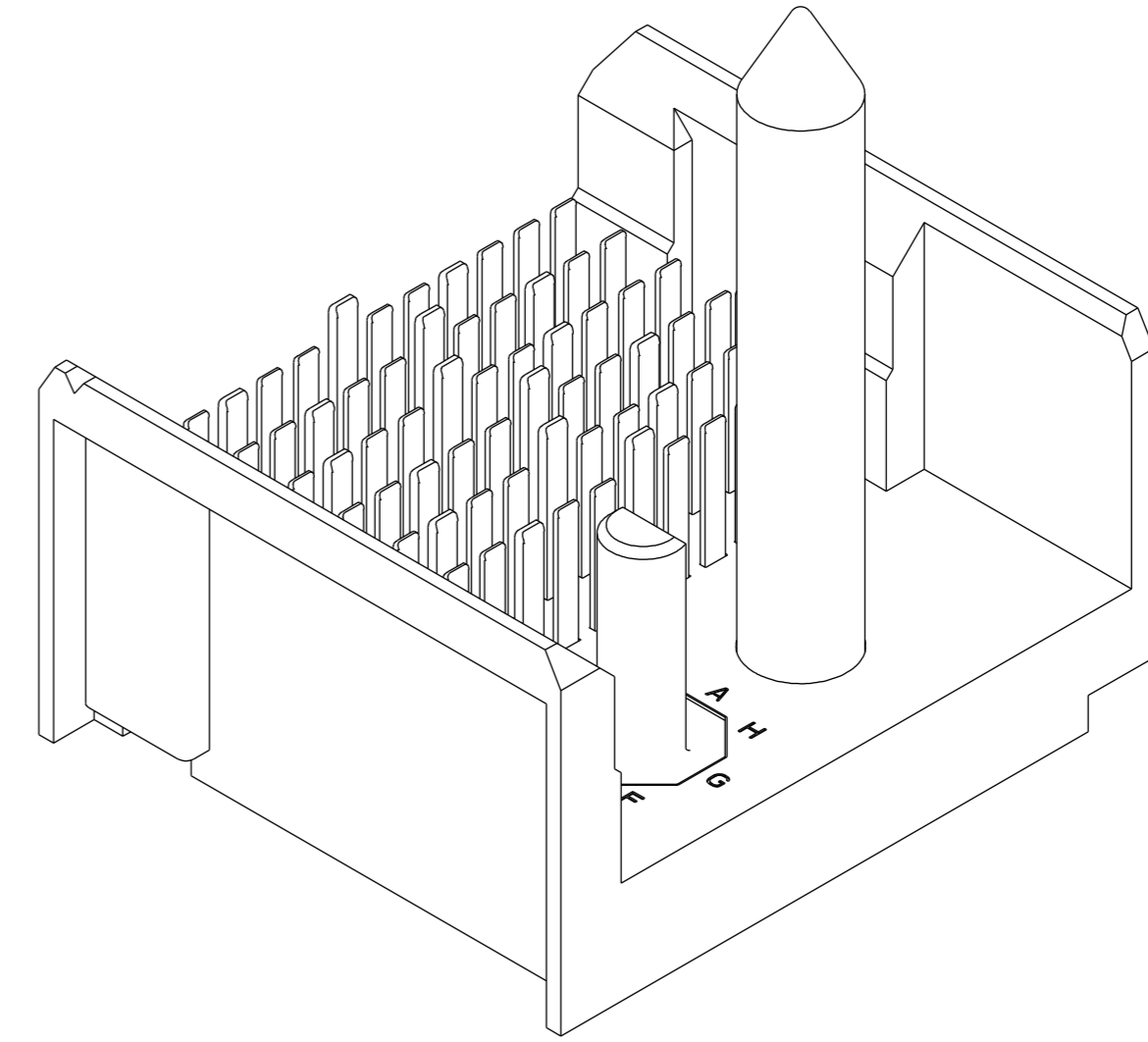
Amphenol
FCi

© 2016 AFci

spec ref	-	dr	Tao Zhan	2015/05/18	projection	MM	size	A2	scale	5:1
tolerance std	ASME Y14.5	eng	Tao Zhan	2016/03/14	chr	-	ecn no	-	rel level	Preliminary
surface	-	appr	-	-	product family	AIRMAX VS2	cat. no.	-	Product - Customer Drw	sheet 3 of 4
ASME Y14.5	linear	0.X	±0.3	0.XX	±0.15	0.XXX	±0.050	angular	0°	±2°
Amphenol FCI AIRMAX VERTICAL HEADER PRESS-FIT, 4-PAIR, 72 POS, W/G							10135278 rev 1			

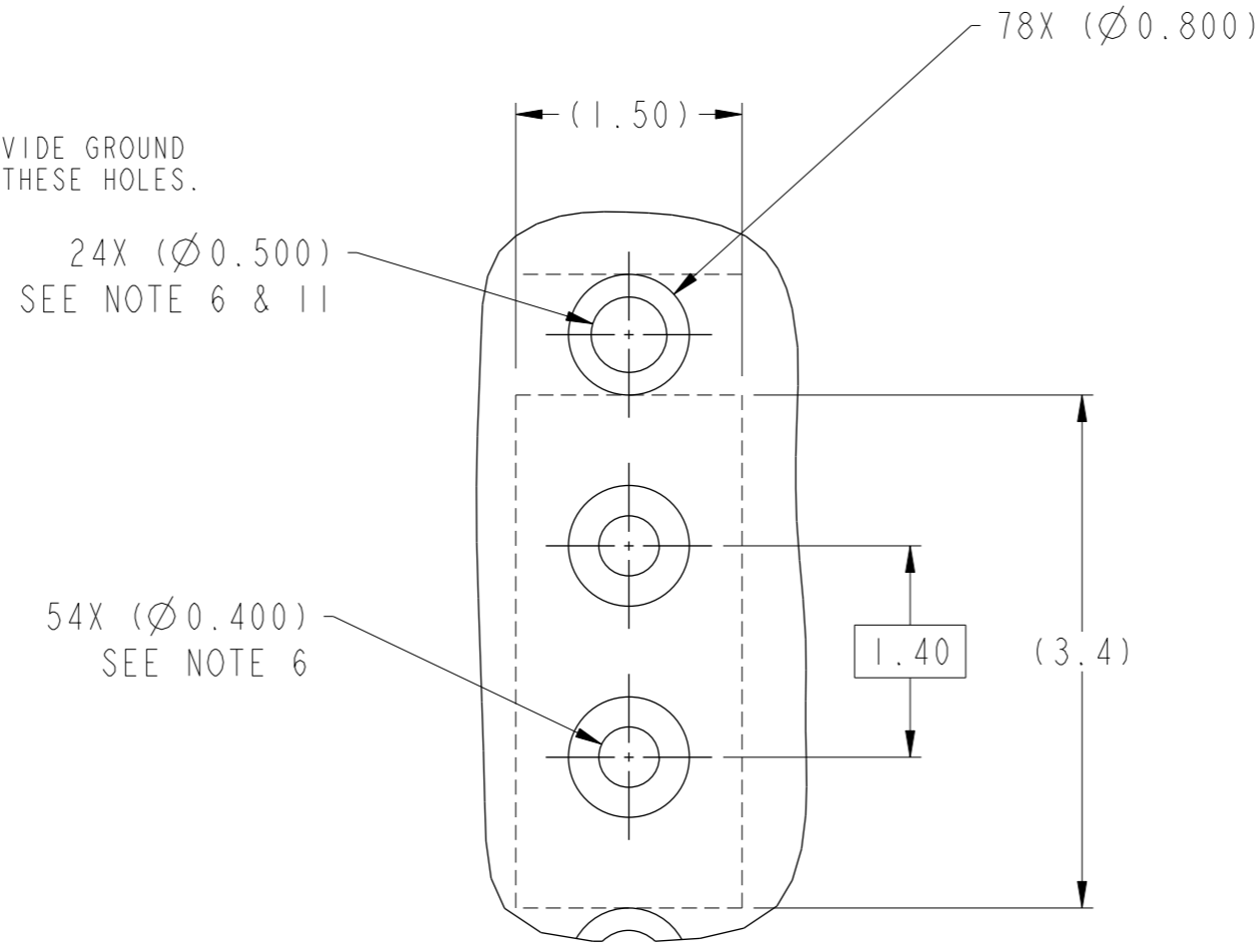
PRELIMINARY

PART NUMBER	PRESS-FIT TAIL PLATING TYPE	FIRST MATE PIN LOCATIONS
10135278-10*LF	TIN OVER NICKEL (LEAD FREE)	F1, F3, F5 G2, G4, G6



10135278-10ALF

- NOTES:
- CONNECTOR MATERIALS:
HOUSING: HIGH TEMP THERMOPLASTIC, BLACK, UL94V-0
CONTACT: COPPER ALLOY
 - CONTACT PLATING:
SEPARABLE INTERFACE: PERFORMANCE-BASED PLATING, QUALIFIED TO MEET THE REQUIREMENTS OF FCI PRODUCT SPECIFICATION GS-12-0956 INCLUDING TELCORDIA GR-1217-CORE (NOVEMBER 1995) CENTRAL OFFICE TEST SEQUENCE
PRESS-FIT TAILS: SEE TABLE
 - PRODUCT SPECIFICATION: GS-12-239.
 - APPLICATION SPECIFICATION: GS-20-035.
 - CONNECTOR OUTLINE WITH HOUSING POS AI INDICATOR MAY BE SCREEN PRINTED ONTO CUSTOMER PCB TO BE USED AS A GUIDE FOR MANUAL CONNECTOR PLACEMENT.
 - REFER TO CUSTOMER DRAWING 10104444 FOR INFORMATION ON PCB HOLE DIAMETERS AND PLATING OPTIONS.
 - THIS PRODUCT MEETS EUROPEAN UNION DIRECTIVES AND OTHER COUNTRY REGULATIONS AS DESCRIBED IN GS-22-008.
 - PACKAGING MEETS GS-14-920 LEAD FREE LABELING SPECIFICATION.
 - THE SCREW THREAD ON THE CONNECTOR IS 2-56 UNC -2B TAP 8.60 MM, #50 DRILL (1.778) TAP 8.80 MM.
 - NO CIRCUIT IN THIS AREA SURFACE.
 - THE OUTER VIAS IN COLUMN M ARE OPTIONAL. IF ADDED THESE HOLES PROVIDE GROUND SYMMETRY THROUGH THE PCB. NO CONNECTOR EONS WILL BE PRESSED INTO THESE HOLES.



DETAIL A
SCALE 20:1

spec ref	-	dr	Tao Zhan	2015/05/18	projection	MM	size	A2	scale	5:1	
tolerance std	ASME Y14.5	eng	Tao Zhan	2016/03/14	chr	-	ecn no	-	rel level	Preliminary	
TOLERANCES UNLESS OTHERWISE SPECIFIED		appr	-	-	product family	AIRMAX VS2	rel level	Preliminary	rev	1	
surface	-	linear	0.X	±0.3	Amphenol FCI		title	AIRMAX VERTICAL HEADER		cat. no.	-
			0.XX	±0.15				PRESS-FIT, 4-PAIR, 72 POS, W/G		Product - Customer Drw	sheet 4 of 4
		angular	0°	±2°							

PRELIMINARY

Amphenol FCI

© 2016 APCI