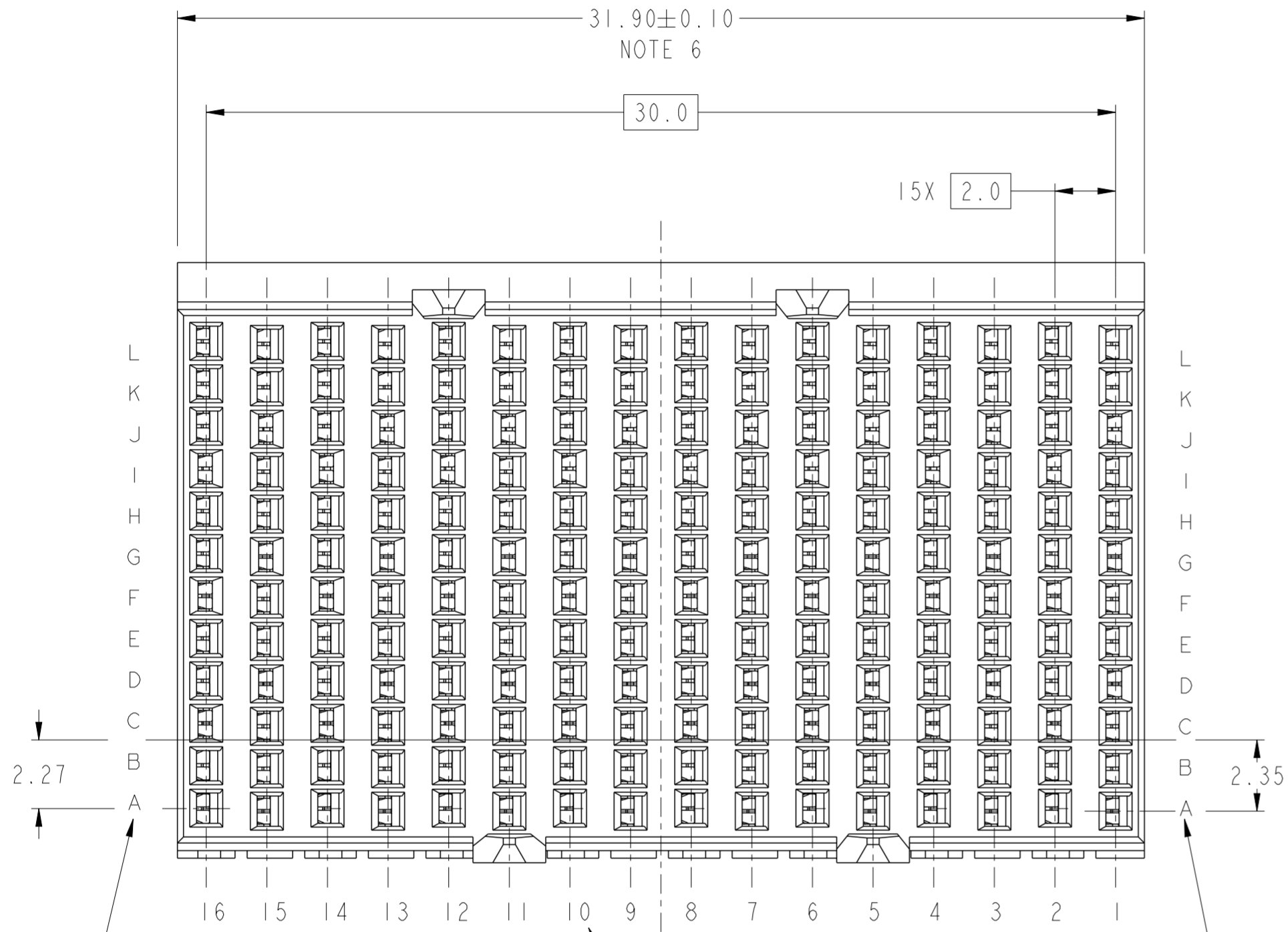


PRODUCT NUMBER
SEE SHEET 3



16 15 14 13 12 11 10 9 8 7 6 5 4 3 2 1

L K J I H G F E D C B A

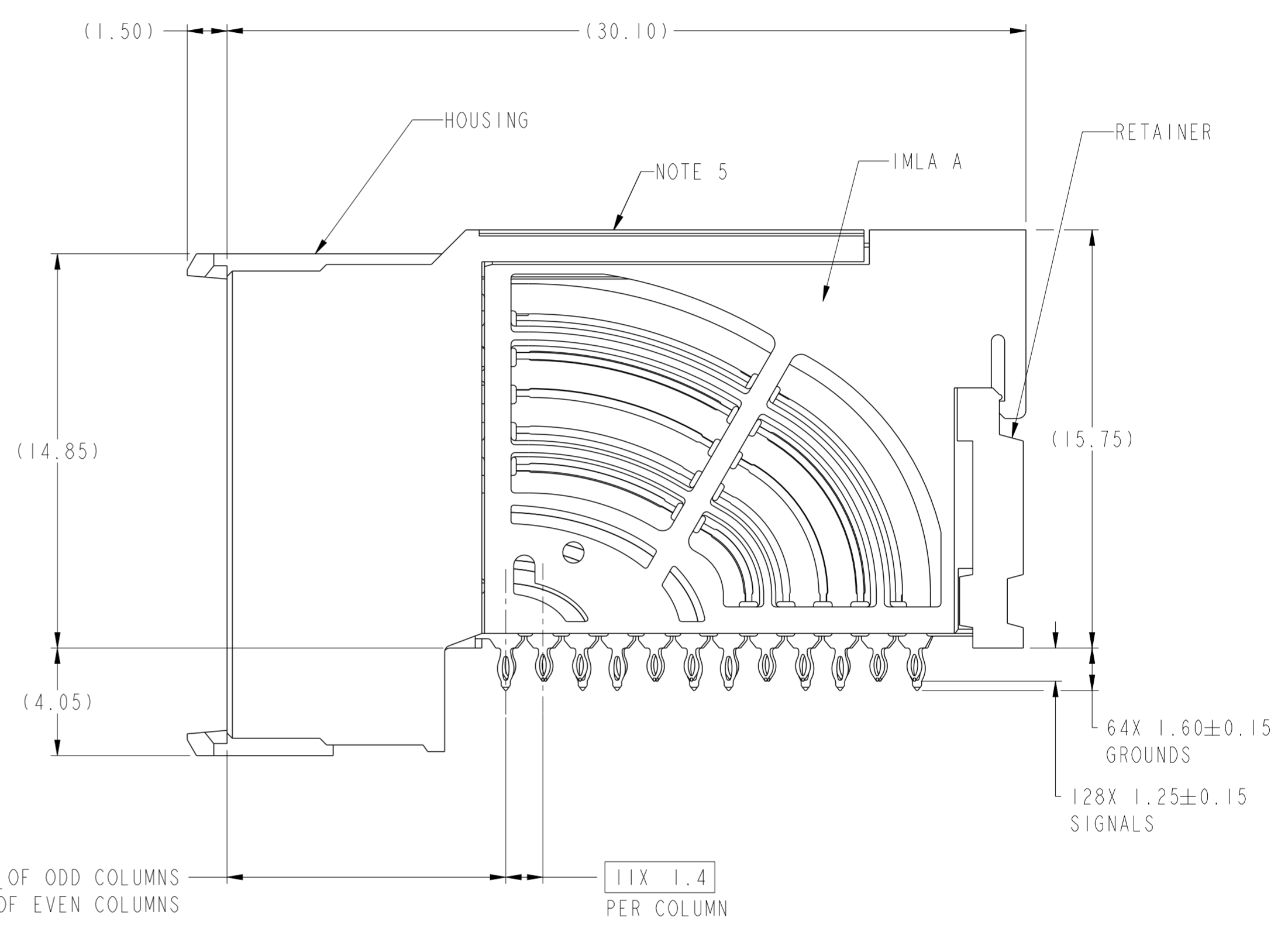
L K J I H G F E D C B A

2.27

2.35

COLUMN ID

EVEN COLUMN, CONTACT ROW ID
ODD AND EVEN COLUMNS ARE OFFSET



10.50 ϕ OF ODD COLUMNS
10.60 ϕ OF EVEN COLUMNS

11X 1.4
PER COLUMN

64X 1.60 \pm 0.15
GROUNDS

128X 1.25 \pm 0.15
SIGNALS

ODD COLUMN, CONTACT ROW ID

Amphenol
FCi

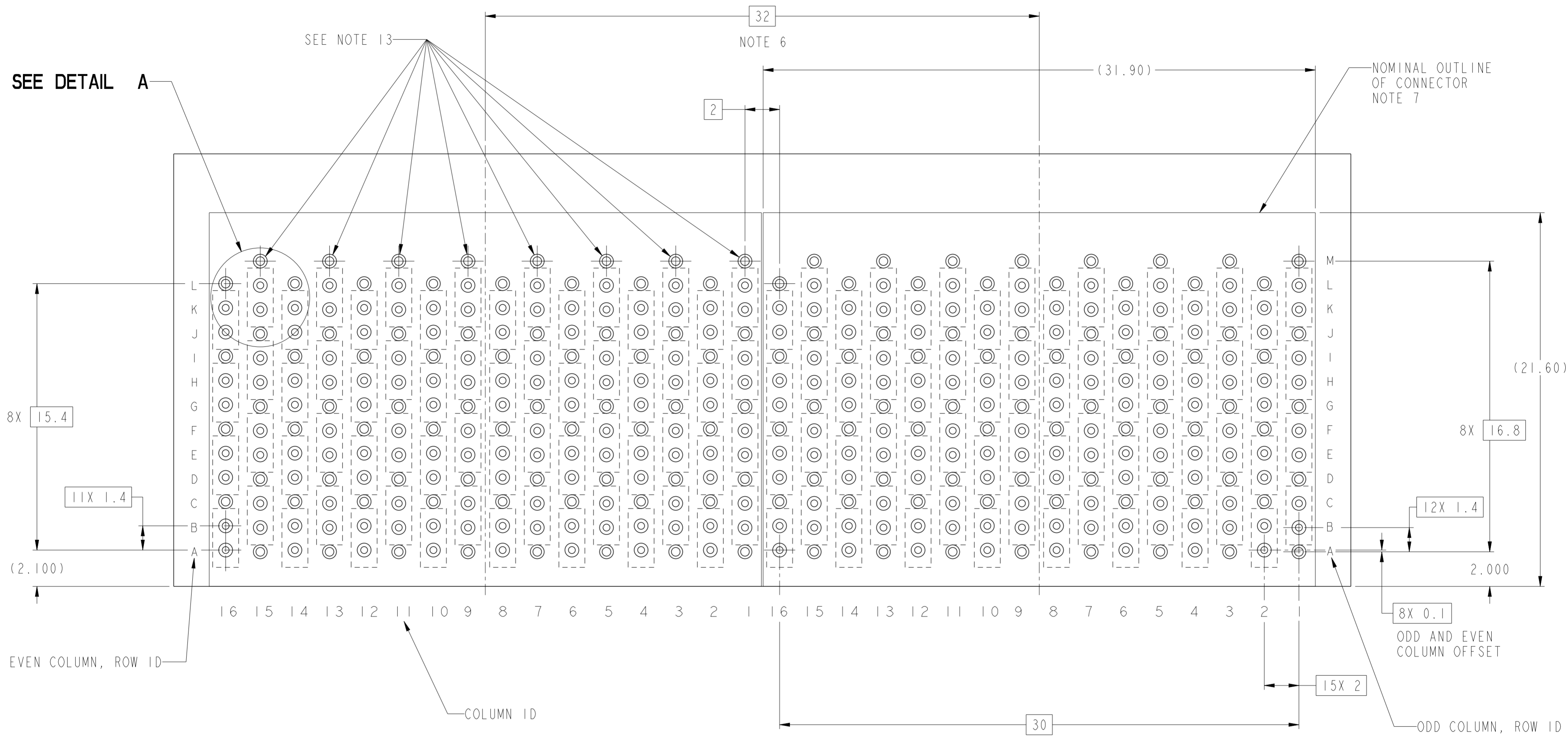
© 2016 APCI

spec ref	---	dr	Tao Zhan	2015/09/29	projection	MM	size	A2	scale	1:1	
tolerance std	ASME Y14.5M	eng	Terry Luo	2018/12/03			ecn no	-	rel level	Released	
TOLERANCES UNLESS OTHERWISE SPECIFIED		chr	Stone Li	2018/11/30							
		appr	Heaven Cen	2018/12/03							
surface	-				product family	AirMax VSE	title	AIRMAX VS2 R.A. RECEPTACLE			
	linear	0.X	±.3		cat. no.	-	dwg no	10136588		rev	A
		0.XX	±.10		Product - Customer Drw		sheet 1 of 3				
		0.XXX	±.050								
	angular	0°	±°								

PDS: Rev :A

STATUS:Released

Printed: Dec 03, 2018



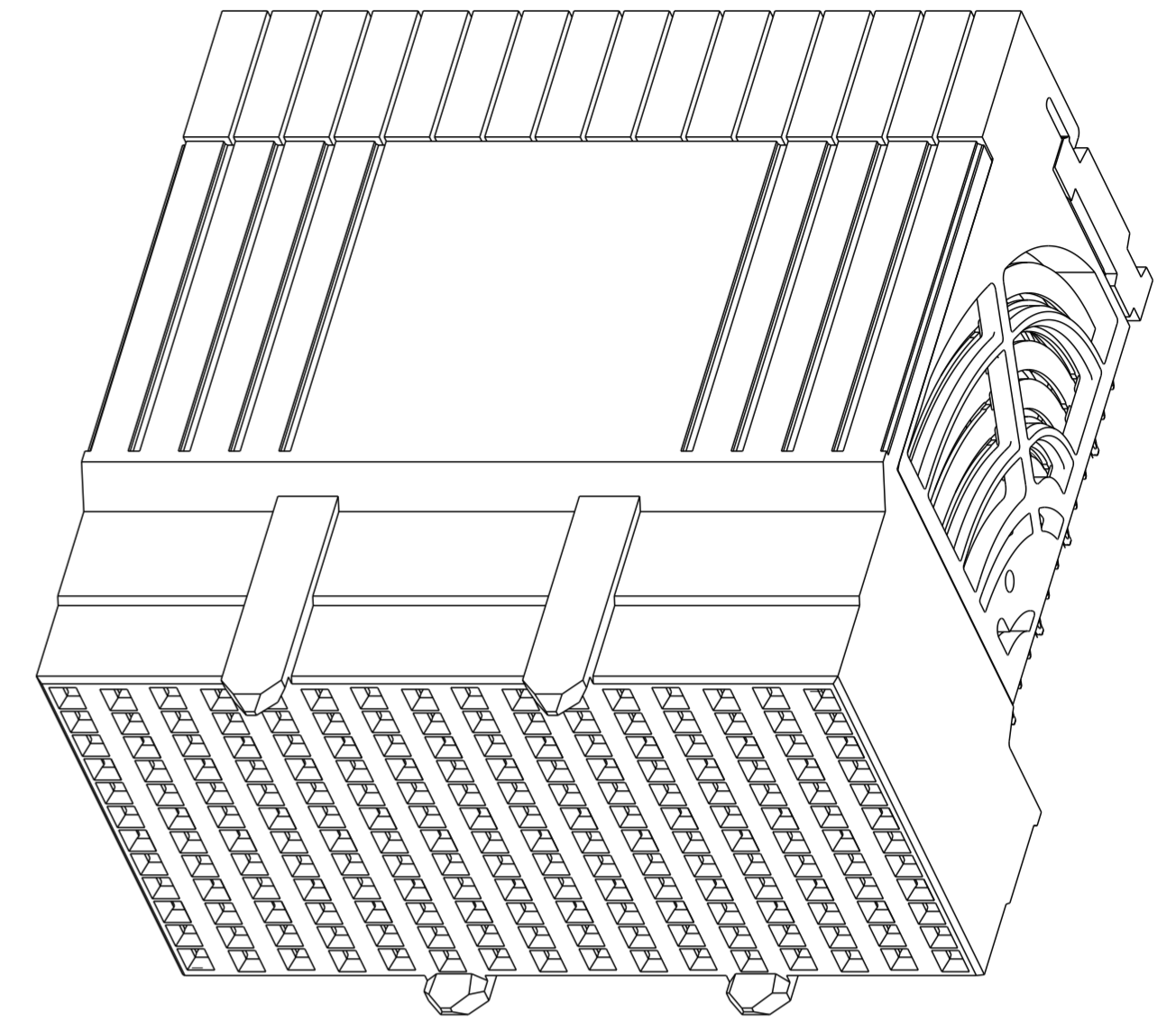
RECOMMENDED PCB LAYOUT
FOR DIFFERENTIAL APPLICATIONS
COMPONENT SIDE
(TWO ADJACENT FOOTPRINTS SHOWN)
SEE NOTES 8, 12 & 13

spec ref	---	dr	Tao Zhan	2015/09/29	projection	MM	size	A2	scale	1:1
tolerance std	ASME Y14.5M	eng	Terry Luo	2018/12/03			ecn no	-	rel level	Released
TOLERANCES UNLESS OTHERWISE SPECIFIED		chr	Stone Li	2018/11/30						
surface	-	appr	Heaven Cen	2018/12/03	product family	AirMax VSE	rev	10136588	rev	A
	linear				AIRMAX VS2 R.A. RECEPTACLE ASS'Y, 4 PAIR, 192 POS, 16 IMLA, 32MM SPECIAL		cat. no.	-	Product - Customer Drw	sheet 2 of 3
	angular	0°	±°							

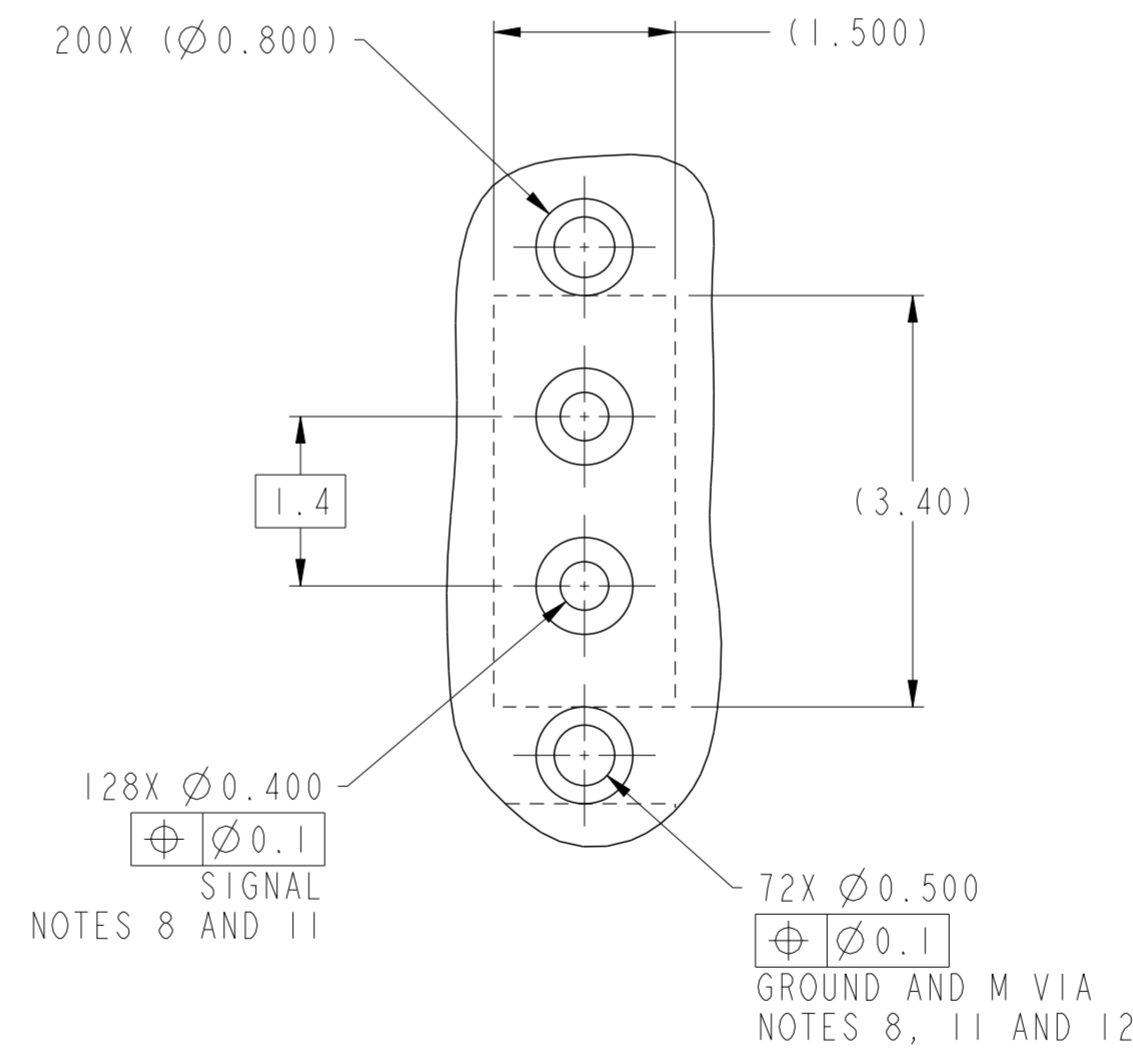
PRODUCT NUMBER	PRESS-FIT TAIL PLATING TYPE
10136588-101LF	TIN OVER NICKEL (LEAD FREE)

- ① - CONNECTOR MATERIALS:
HOUSING: HIGH TEMP THERMOPLASTIC, NATURAL, UL94-V0
IMLA PLASTIC: HIGH TEMP THERMOPLASTIC, BLACK, UL94-V0
CONTACT: COPPER ALLOY
ORGANIZER: HIGH TEMP THERMOPLASTIC, NATURAL, UL94-V0
- 2 - CONTACT PLATING:
SEPARABLE INTERFACE:
PERFORMANCE-BASED PLATING, QUALIFIED TO MEET THE REQUIREMENTS OF FCI PRODUCT SPECIFICATION GS-12-0956 INCLUDING TELCORDIA GR-1217-CORE (NOVEMBER 1995) CENTRAL OFFICE TEST SEQUENCE

PRESS-FIT TAILS: SEE TABLE
- 3 - PRODUCT SPECIFICATION: GS-12-0956
- 4 - APPLICATION SPECIFICATION: GS-20-0305.
- ⑤ - PRODUCT MARKING, (PROTOTYPE, PART NUMBER & LOT CODE), ON THIS SURFACE.
- ⑥ - THE MINIMUM CENTERLINE SPACING BETWEEN ADJACENT MODULES IS 32.0 MM.
- ⑦ - CONNECTOR OUTLINE MAY BE SCREEN PRINTED ONTO CUSTOMER PCB TO BE USED AS A GUIDE FOR MANUAL CONNECTOR PLACEMENT.
- ⑧ - REFER TO CUSTOMER DRAWING 10104444 FOR INFORMATION ON PCB HOLE DIAMETERS AND PLATING OPTIONS
- 9 - LEAD FREE PRODUCT MEETS THE EUROPEAN UNION DIRECTIVES & OTHER COUNTRY REGULATIONS AS DESCRIBED IN GS-22-008
- 10 - PACKAGING MEETS GS-14-920 LEAD FREE LABELING SPECIFICATION.
- ⑪ - GROUND CONTACTS (C, F, I AND L IN EVEN COLUMNS AND A, D, G AND J, ODD COLUMNS) REQUIRE (Ø0.500) FINISHED HOLES. SIGNAL LOCATIONS REQUIRE (Ø0.400) FINISHED HOLES.
- ⑫ - THESE OUTER VIAS (M) ARE OPTIONAL. WHILE NO CONNECTOR EONS ARE PRESSED INTO THESE HOLES, WE RECOMMEND (Ø 0.500) FINISHED HOLES AT THESE LOCATIONS TO PROVIDE GROUND SYMMETRY THROUGH THE PCB.
- ⑬ - THIS 4 PAIR 16 COLUMN RECOMMENDED PCB LAYOUT OF THIS PART NUMBER IS FOR CUSTOMER SPECIAL.



10136588-101LF
SCALE 4:1



DETAIL A
SCALE 16:1

spec ref	---	dr	Tao Zhan	2015/09/29	projection	MM	size	A2	scale	4:1													
tolerance std	ASME Y14.5M	eng	Terry Luo	2018/12/03			ecn no	-	rel level	Released													
TOLERANCES UNLESS OTHERWISE SPECIFIED		chr	Stone Li	2018/11/30			product family																
surface	<table border="1"> <tr> <td>linear</td> <td>0.X</td> <td>±.3</td> </tr> <tr> <td></td> <td>0.XX</td> <td>±.10</td> </tr> <tr> <td></td> <td>0.XXX</td> <td>±.050</td> </tr> <tr> <td>angular</td> <td>0°</td> <td>±°</td> </tr> </table>	linear	0.X	±.3		0.XX	±.10		0.XXX	±.050	angular	0°	±°	appr	Heaven Cen	2018/12/03	Amphenol FCI	title	AIRMAX VS2 R.A. RECEPTACLE ASS'Y, 4 PAIR, 192 POS, 16 IMLA, 32MM SPECIAL	dwg no	10136588	rev	A
linear	0.X	±.3																					
	0.XX	±.10																					
	0.XXX	±.050																					
angular	0°	±°																					
		cat. no.		Product - Customer Drw		sheet 3 of 3																	

PDS: Rev :A

STATUS:Released

Printed: Dec 03, 2018