

1

2

3

4

10137362-AA B C D E G FF

A

B

C

D

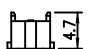







A

B

C

D

AA	POSITION
04	2X20
06	2X30
08	2X40
10	2X50
12	2X60
14	2X70
16	2X80
18	2X90
20	2X100

B	FOR PLUG, SEE DWG. NO. 61083			
COMBINATION OF MATED HEIGHT	Plug 1	Plug 2	Plug 3	Plug 4
Recep 1				
				

## NOTES:

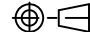

- MATERIAL : HOUSING: LCP UL 94V-0  
TERMINAL: COPPER
- PLATING : AS SHOWN IN TABLE.
- SEE GS-12-1354 FOR PRODUCT SPEC.
- PACKAGING OPTION 2: "NOT ALL SIZES AVAILABLE; CHECK WITH FACTORY".
- THIS PRODUCT MEETS THE EUROPEAN UNION DIRECTIVES AND OTHER COUNTRY REGULATIONS AS DESCRIBED IN GS-22-008.
- THE HOUSING WITH WITHSTAND EXPOSURE UP TO 260~ PEAK TEMPERATURE FOR 30 SECONDS IN A CONVECTION, INFRA-RED OR VAPOR REFLOW OVEN.
- PLATING OPTION "4" IS LEADFREE ALTERNATIVE FOR OPTION "0", AND OPTION "6" IS LEADFREE ALTERNATIVE FOR OPTION "1".
- THE P/N 10137362-\*\*\*\*\* OR 10137362-\*\*\*\*\*LF NOT PRINT DATE CODE. THE P/N 10137362-\*\*\*\*\*P OR 10137362-\*\*\*\*\*PLF NEED PRINT DATE CODE.

G	DATE CODE
/	NOT PRINT DATE CODE
P	PRINT DATE CODE

E	PACKAGING (NOTE 10)
0	TUBE WITHOUT METAL CAP
2	T&R WITH METAL CAP
9	TUBE WITH METAL CAP
6	T&R WITHOUT METAL CAP (WITH KAPTON TAPE)

D	POLARIZATION PEG
0	YES
2	NO

C	PLATING ON CONTACT AREA	FF
4	GOLD 0.2um MIN / PURE TIN 2um MIN (LEAD FREE) NICKEL UNDERPLATE OVERALL 1.27um MIN	LF
5	GOLD 0.38um MIN / PURE TIN 2um MIN (LEAD FREE) NICKEL UNDERPLATE OVERALL 1.27um MIN	LF
6	GOLD FLASH (0.1um MIN) OVER PALLADIUM-NICKEL 0.76um MIN / PURE TIN 2um MIN (LEAD FREE) NICKEL UNDERPLATE OVERALL 1.27um MIN	LF

spec ref	dr	Eric Huang	2015-10-19	projection	mm	size	A3	scale	3:1	
tolerance std	eng	Eric Huang	2015-10-19		← mm →	ecn no	-	rel level	RELEASED	
TOLERANCES UNLESS OTHERWISE SPECIFIED	chr									
	appr	Tim Yao	2015-10-19	product family	Bergstak					
	surface	linear	0.X	±0.2		title	BERGSTAK 0.8mm BTB HIHG SPEED	dwg no	10137362	rev
	0.XX	±0.15								
	0.XXX	±0.10								
	angular	0°	±2°	www.fci.com	cat. no.	-	Product - Customer Drw	sheet 1 of 3		

1

2

3

4

1

2

3

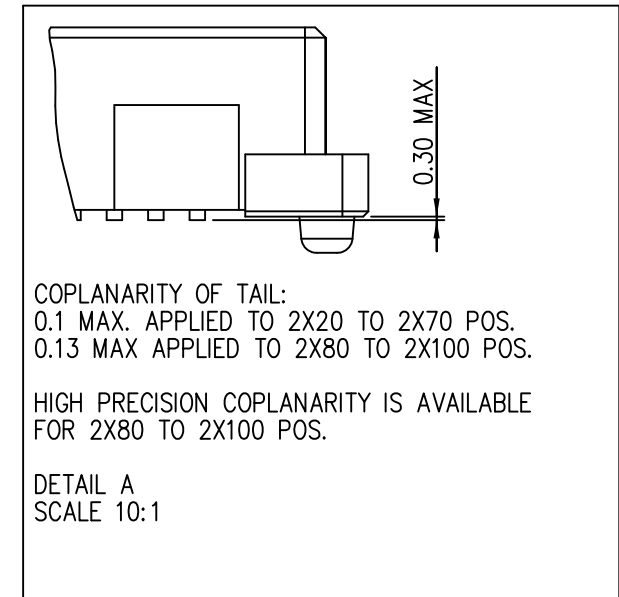
4

PRODUCT NO.	NUMBER OF POSITIONS	DIMENSION		
		A	B	C
10137362-041***	2X20	15.2	21.8	20.2
-061***	2X30	23.2	29.8	28.2
-081***	2X40	31.2	37.8	36.2
-101***	2X50	39.2	45.8	44.2
-121***	2X60	47.2	53.8	52.2
-141***	2X70	55.2	61.8	60.2
-161***	2X80	63.2	69.8	68.2
-181***	2X90	71.2	77.8	76.2
-201***	2X100	79.2	85.8	84.2

DATE CODE: XXXXXX

DAY<01~31>  
 MONTH<01~12>  
 YEAR<00~99>

DETAIL B

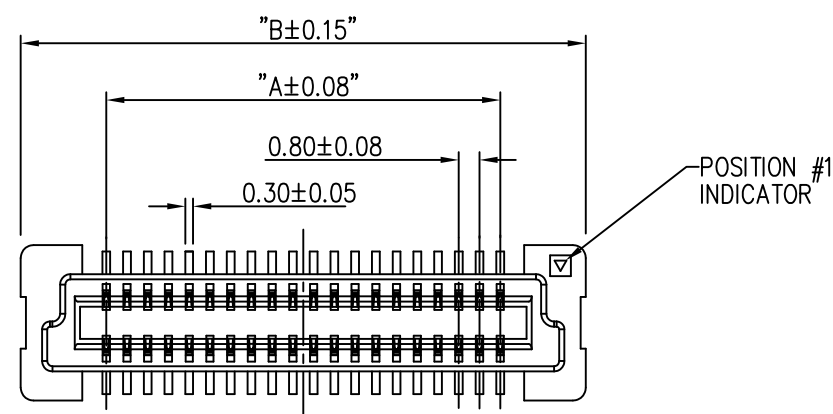


A

A

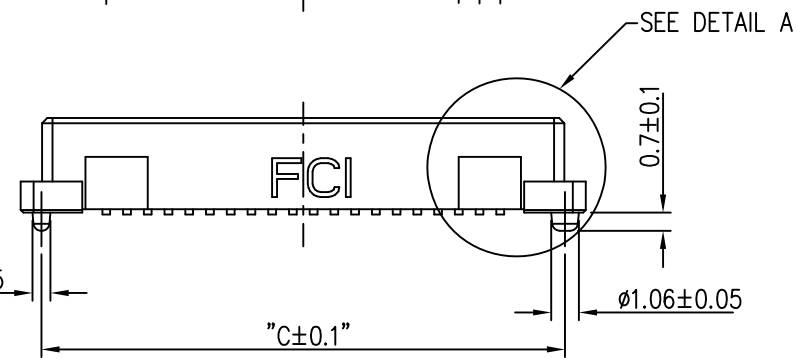
B

B



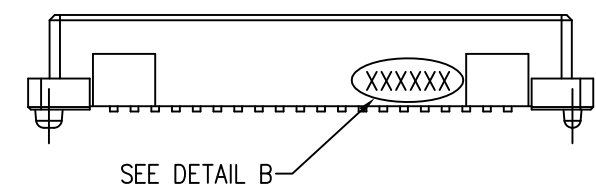
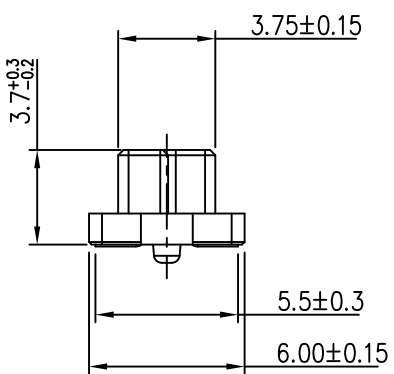
C

C



D

D



Copyright FCI.

RECEPTACLE 1

spec ref	dr	Eric Huang	2015-10-19	projection	mm	size	A3	scale	5:1
tolerance std	eng	Eric Huang	2015-10-19			ecn no	-	rel level	RELEASED
TOLERANCES UNLESS OTHERWISE SPECIFIED  surface <input checked="" type="checkbox"/>	chr								
	appr	Tim Yao	2015-10-19	title	BERGSTAK 0.8mm BTB HIHG SPEED	dwg no	10137362	rev	A
	linear	0.X	±0.2	0.XX	±0.15	0.XXX	±0.10	angular	0°



www.fci.com cat. no. - Product - Customer Drw

sheet 2 of 3

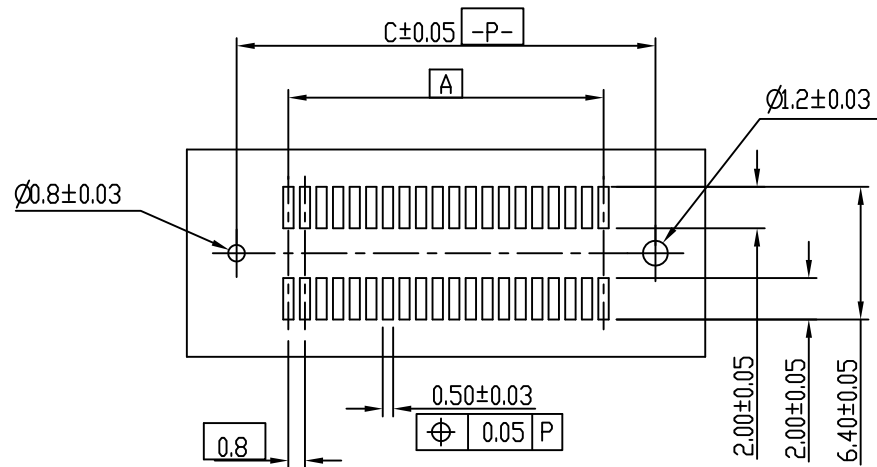
1

2

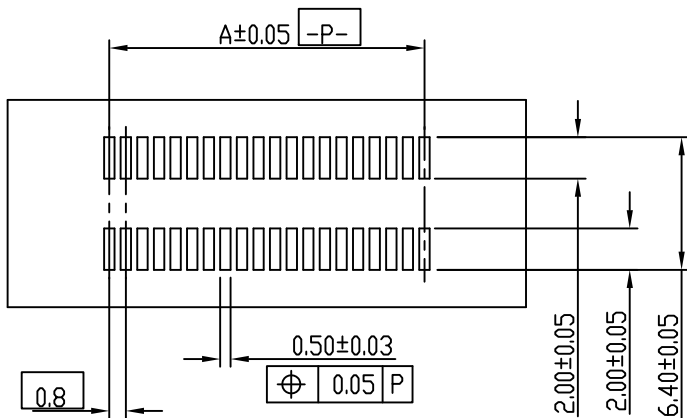
3

4

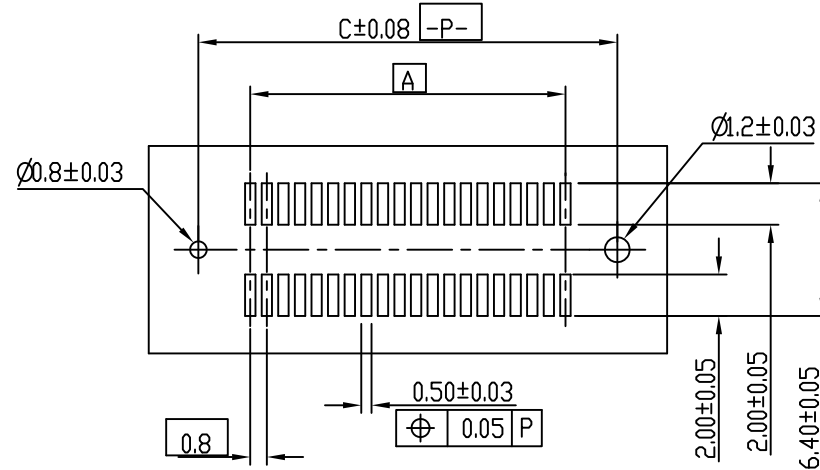
RECEPTACLE 1



RECOMMENDED PCB LAYOUT WITH PEGS  
FOR NO. OF POSITION 2X20, 2X30, 2X40, 2X50, 2X60



RECOMMENDED PCB LAYOUT WITHOUT PEGS AND HOLDDOWN



RECOMMENDED PCB LAYOUT WITH PEGS  
FOR NO. OF POSITION 2X70, 2X80, 2X90, 2X100



Copyright FCI.

spec ref	dr	Eric Huang	2015-10-19	projection	mm	size	A3	scale	5:1
tolerance std	eng	Eric Huang	2015-10-19			ecn no		rel level	
TOLERANCES UNLESS OTHERWISE SPECIFIED surface ✓	chr					product family		Bergstak	-
	appr	Tim Yao	2015-10-19	title		10137362		rev	
	linear	0.X	±0.2	BERGSTAK 0.8mm BTB HIHG SPEED RECEPTACLE ASSY		A			
	0.XX	±0.15	www.fci.com		cat. no.		-		Product - Customer Drw
	0.XXX	±0.10							sheet 3 of 3
	angular	0°	±2°						