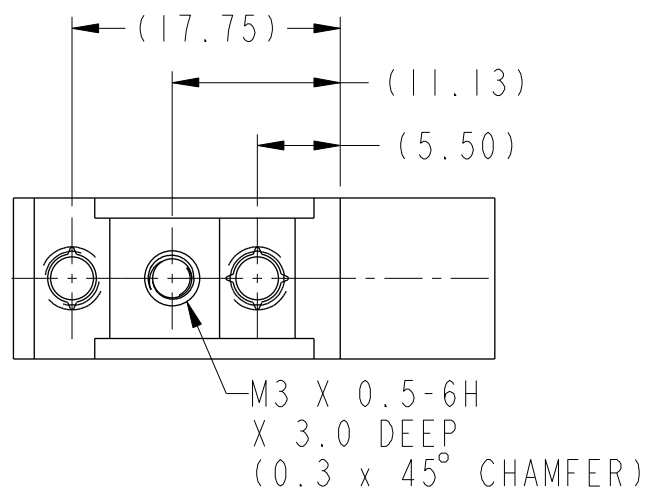
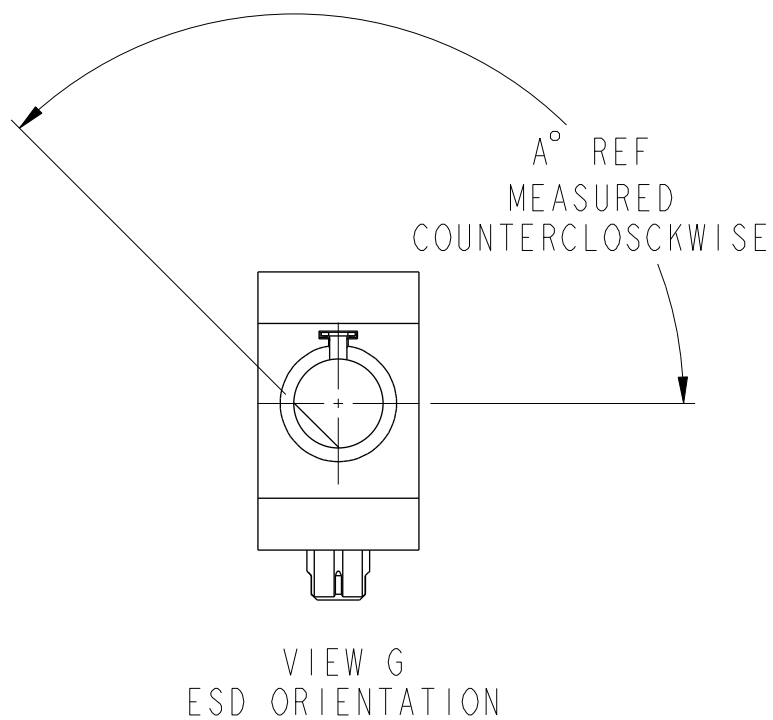
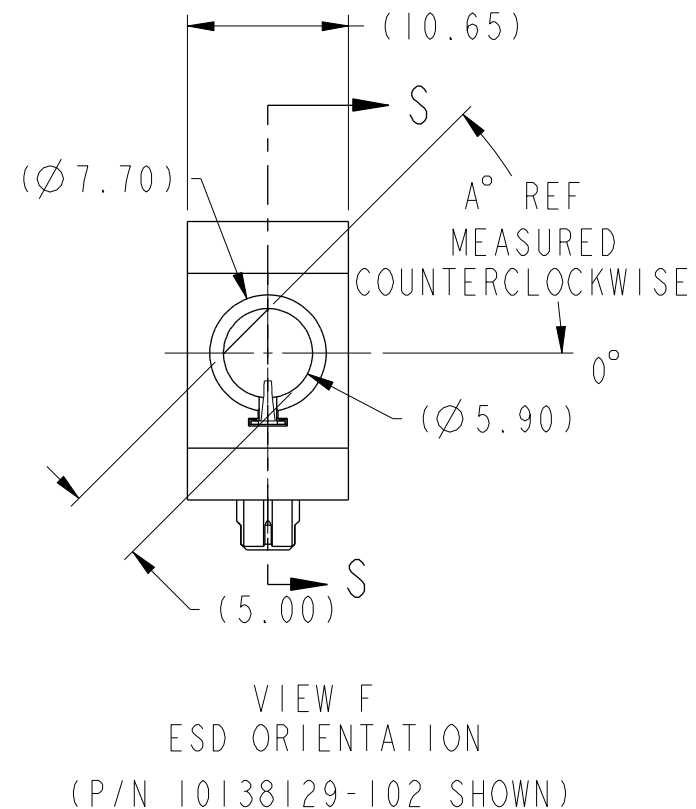
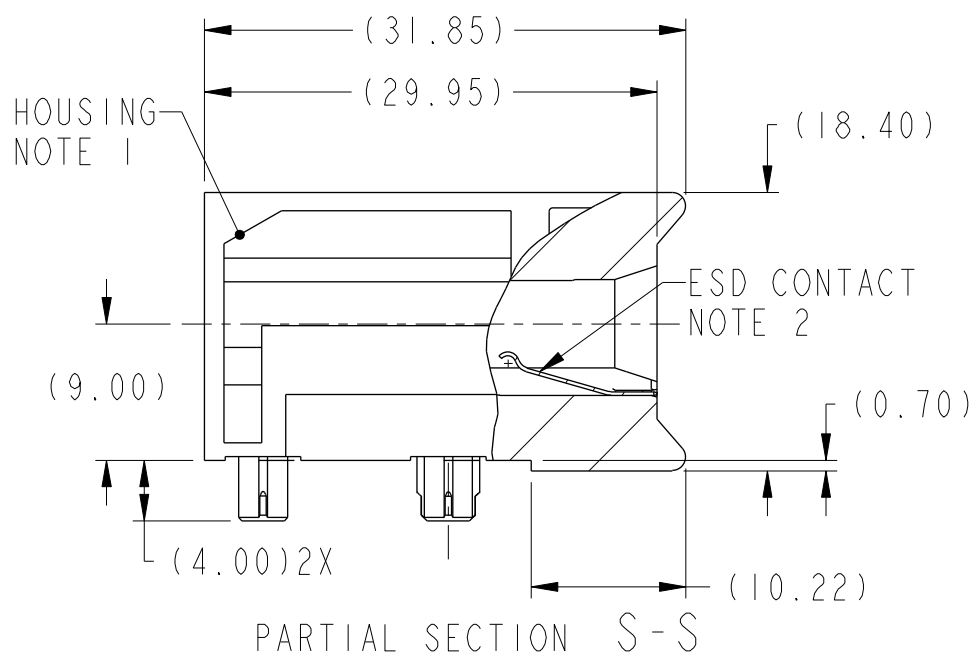
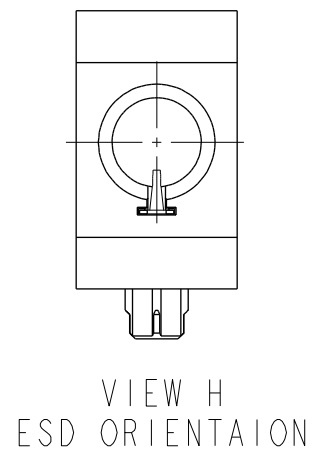


PRODUCT NUMBER  
SEE TABLE, SHT 2

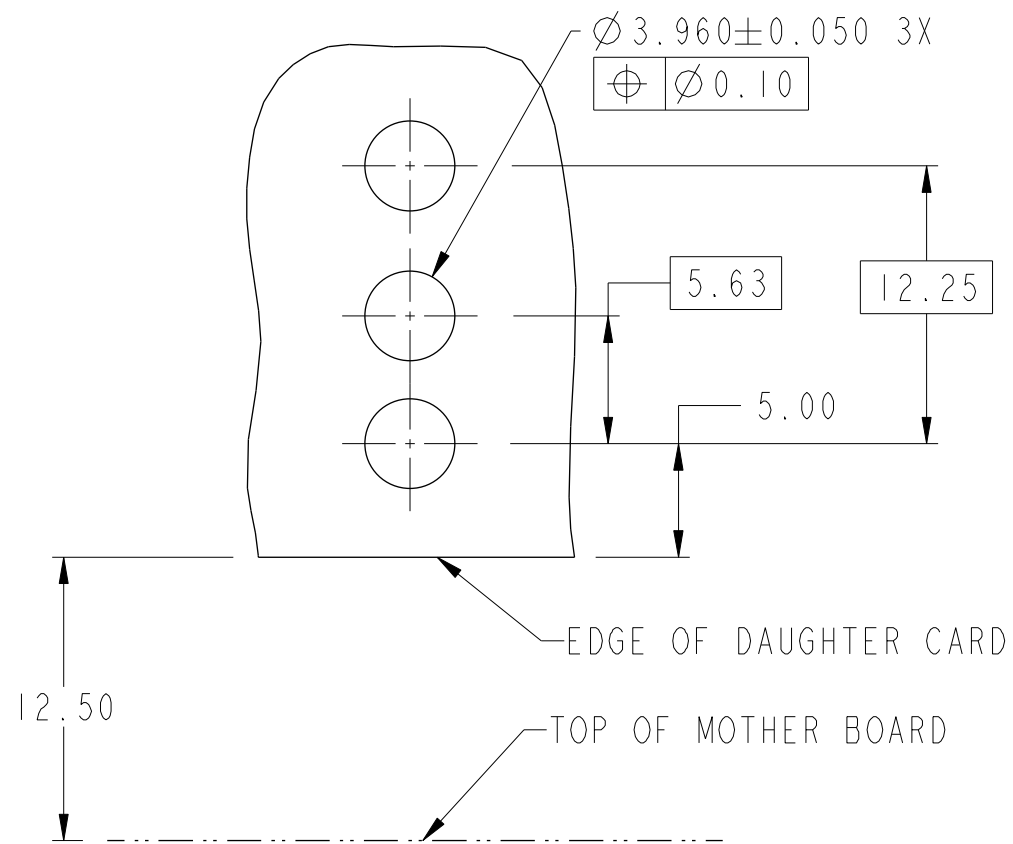


spec ref	dr	Tao Zhan	2015/12/15	projection	MM	size	A3	scale	1:1
tolerance std	eng	Tao Zhan	2016/05/24			ecn no		-	
ASME Y14.5	chr	-	-			rel level		Released	
surface 3.2	appr	Pei-Ming Zheng	2016/05/24	product family			AirMax Accessories		
ASME Y14.5	<b>Amphenol FCI</b>		10.8mm GUIDE MODULE ASSY WITH ESD & KEYING OPTIONS			dwg no 10138129	rev A		
linear 0.X ±.3 0.XX ±.10 0.XXX ±.050 angular 0° ±2°	cat. no.		-		Product - Customer Drw		sheet 1 of 2		

PRODUCT NUMBER NOTES 4 & 8	DIM A	ESD PIN LOCATION
10138129-1X1LF	0°	PER VIEW F
10138129-1X2LF	45°	PER VIEW F
10138129-1X3LF	90°	PER VIEW F
10138129-1X4LF	135°	PER VIEW G
10138129-1X5LF	180°	PER VIEW G
10138129-1X6LF	225°	PER VIEW G
10138129-1X7LF	270°	PER VIEW G
10138129-1X8LF	315°	PER VIEW F
10138129-1X9LF	N/A NOTE 5	PER VIEW H

NOTES:

- ① MATERIAL: ZINC ALLOY
- ② FINISH: HOUSING; ZINC YELLOW CHROMATE  
ESD CONTACT; 1.27um MINIMUM NICKEL ALL OVER
- ③ APPLICATION SPEC: GS-20-045
- ④ X = 0 FOR MODULES WITH ESD GROUNDING OPTION  
X = 1 FOR MODULES W/O ESD GROUNDING OPTION
- ⑤ FOR THE -109LF VERSION (NO KEY) THE MATING GUIDE PIN MUST BE ORIENTATED SO IT MAKES CONTACT WITH THE ESD PIN
- ⑥ THRU HOLE PLATING AND ANNULAR RINGS MUST BE ADDED AS APPROPRIATE FOR APPLICATIONS WITH THE ESD GROUNDING OPTION.  
FINISHED HOLE SIZE IS THE SAME REGARDLESS OF PLATED BARREL OR NOT
- ⑦ REFER TO CUSTOMER DRAWING 10035911 FOR INFORMATION REGARDING PCB LAYOUT OF POWER AND GUIDE MODULES RELATIVE TO SIGNAL MODULES
- ⑧ EQUIVALENT PRODUCTS SHOWN ON CUSTOMER DRAWING 10025408 MAY BE SUBSTITUTED PRIOR TO TOOLING COMPLETION
- ⑨ THIS PRODUCT MEETS EUROPEAN UNION DIRECTIVES AND OTHER COUNTRY REGULATIONS AS DESCRIBED IN GS-22-008.
- ⑩ PACKAGING MEETS GS-14-920 LEAD FREE LABELING SPECIFICATION.



SCALE 3:1

RECOMMENDED PCB LAYOUT NOTES 6 & 7

spec ref		dr	Tao Zhan	2015/12/15	projection	MM	size	A3	scale	1:1	
tolerance std		eng	Tao Zhan	2016/05/24			ecn no		-		
ASME Y14.5		chr	-	-			rel level		Released		
TOLERANCES UNLESS OTHERWISE SPECIFIED		appr	Pei-Ming Zheng	2016/05/24	product family			AirMax Accessories			
surface	3.2	linear	0.X	±.3	Amphenol FCI			10.8mm GUIDE MODULE ASSY		rev	
			0.XX	±.10				10138129		A	
			0.XXX	±.050							
		angular	0°	±2°							
ASME Y14.5		cat. no.			-			Product - Customer Drw		sheet 2 of 2	