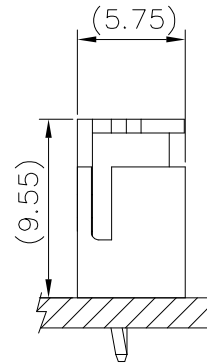
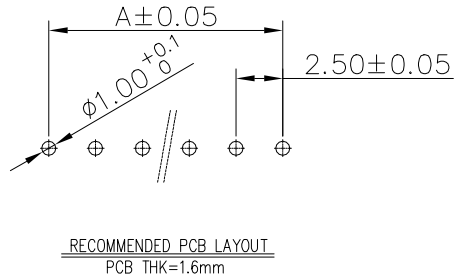
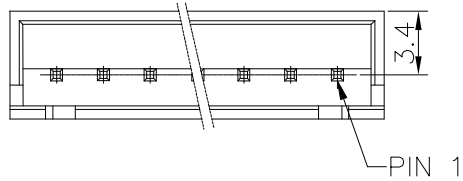
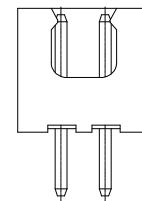
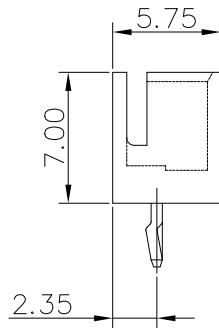
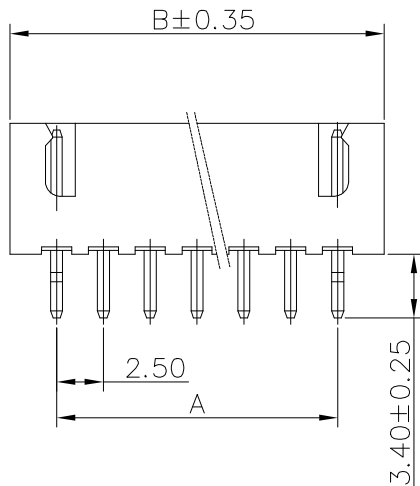


PRODUCT NUMBER
SEE PART NO. TABLE



TOP ENTRY TYPE



NOTE:

- MATERIAL SPECIFICATION:
 - INSULATION: NYLON 66 UL 94V-0
 - CONTACT: SQ. 0.64mm COPPER ALLOY
- THIS HEADER MATES WITH FCI RECEPTACLE: 10142801
- THE HOUSING WILL WITHSTAND EXPOSURE TO 235°C PEAK TEMPERATURE FOR 5 SECONDS IN A WAVE SOLDER APPLICATION WITH A 1.6mm MINIMUM THICK CIRCUIT BOARD(FOR PA66)
- PRODUCT SPEC: GS-12-1407.
- PACKING SPEC: GS-14-2573.
- PART NUMBER SCHEME:
10142799-X X X X XX LF

MATERIAL
1: NYLON 66

PIN COUNTS 02~16
S1: 5PIN, PIN2&4 REMOVED

PACKAGING
1: PE BAG

COLOR CODE:
0: NATURAL

1: BLACK
2: BROWN
3: RED
4: ORANGE
5: YELLOW
6: GREEN
7: BLUE
8: PURPLE
9: GREY
10: WHITE
11: MILKY YELLOW
12: BRICK RED
13: MILKY WHITE

PLATING ON CONTACT
1: MATTE TIN PLATED
2: BRIGHT TIN PLATED
3: GOLD PLATED

POS	A	B	POS	A	B
2	2.50	7.5	10	25.50	27.5
3	5.00	10.0	11	25.00	30.0
4	7.50	12.5	12	27.50	32.5
5	10.00	15.0	13	30.00	35.0
6	12.50	17.5	14	32.50	37.5
7	15.00	20.0	15	35.00	40.0
8	17.50	22.5	16	37.50	42.5
9	20.00	25.0			

mat'l. code				surface <input checked="" type="checkbox"/> tolerance		projection		product family WTB	
ltr	ecn no	dr	date	tolerances unless otherwise specified				title	
A		TONY	2017-02-16	angles	linear	mm		2.5mm Pitch Vertical Header	
				$\sigma \pm 5^\circ$	linear	N.T.S.		dwg no	
								sheet 1 of 1 size	
				dr	TONY_LENG	2017-02-21		10142799	
				enr	TONY_LENG	2017-02-21		A4	
				chr	ZK_HU	2017-02-21		Product Customer Drawing	
				appd	TIM_YAO	2017-02-21		type	
sheet index	revision	A							
	sheet	1							