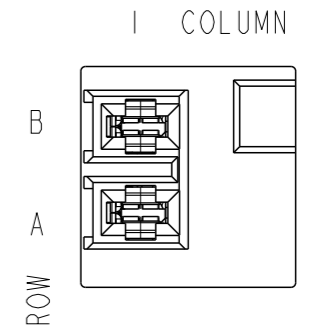


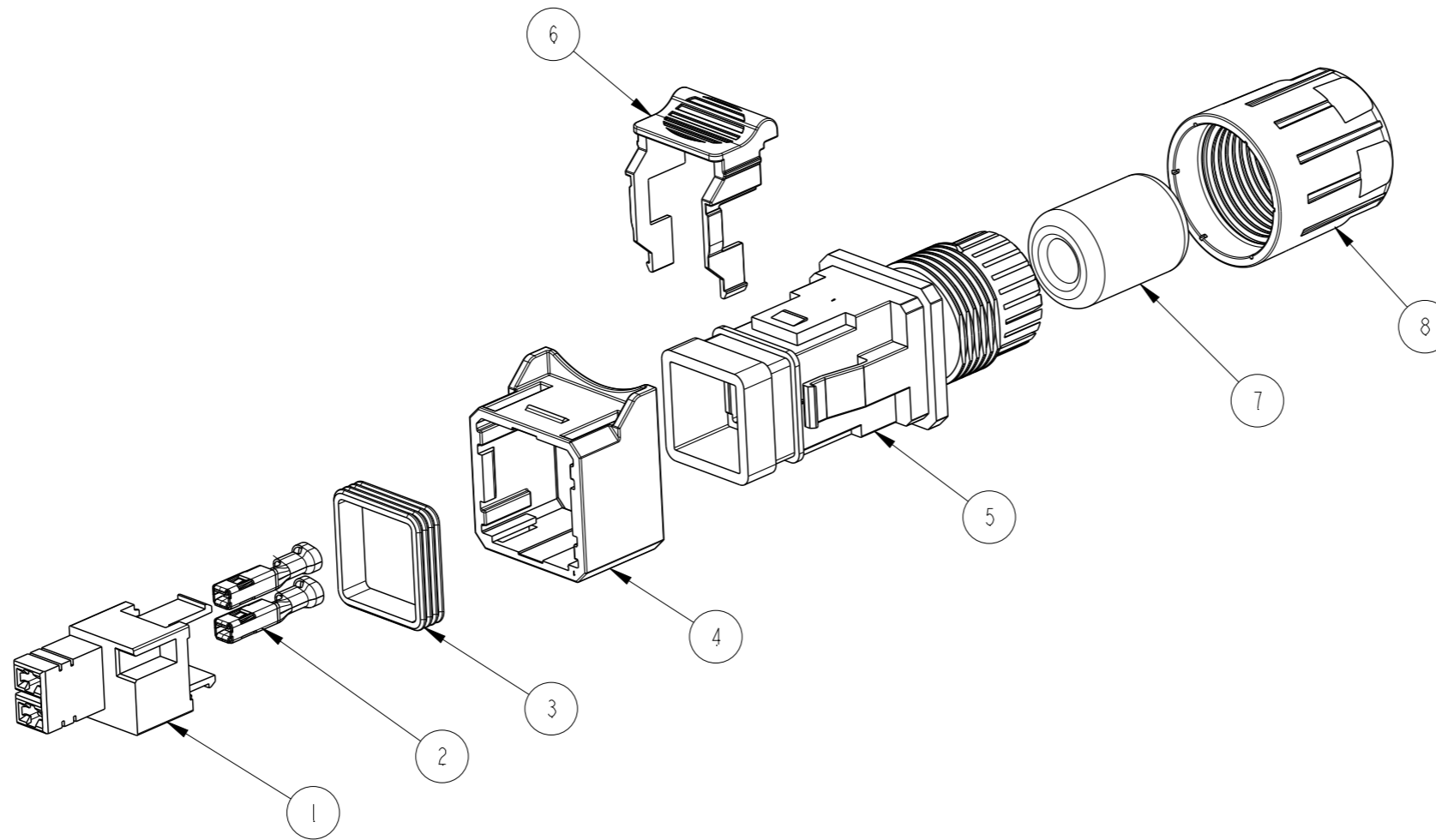
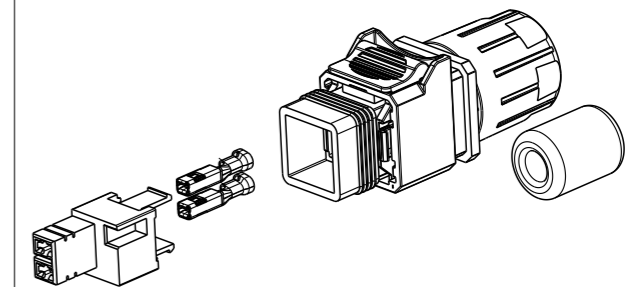
PART NUMBER  
10143487-101LF

VERIO PLUG KIT, 2 POS POWER, CRIMP TYPE  
TERMINALS, PITCH 26 MM

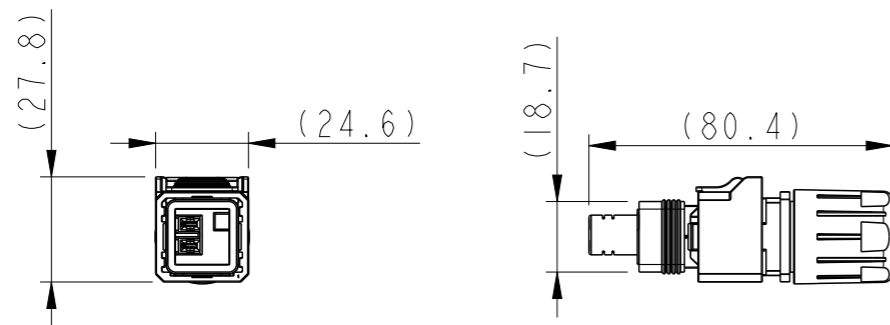
CONNECTOR FRONT VIEW



PACKING CONFIGURATION



| SL NO | DESCRIPTION       | MATERIAL     | QTY | REMARKS |
|-------|-------------------|--------------|-----|---------|
| 1     | CONNECTOR HOUSING | PBT          | 1   |         |
| 2     | POWER CONTACTS    | COPPER ALLOY | 2   |         |
| 3     | SEAL              | SILICONE     | 1   |         |
| 4     | SLIDE             | PBT GF       | 1   |         |
| 5     | HOLDER            | PBT GF       | 1   |         |
| 6     | SECONDARY LOCK    | PBT GF       | 1   |         |
| 7     | GLAND             | SILICONE     | 1   |         |
| 8     | NUT               | PBT GF       | 1   |         |



NOTES:

- ALL PARTS WILL BE SUPPLIED IN BULK PACKING
- PRODUCT SPEC - GS-12-1428
- APPLICATION SPEC - GS-14-XXXX

|                                       |         |              |            |                |          |                       |                        |           |          |
|---------------------------------------|---------|--------------|------------|----------------|----------|-----------------------|------------------------|-----------|----------|
| spec ref                              | dr      | Jibin John   | 2017/09/26 | projection     | mm       | size                  | A3                     | scale     | 3:10     |
| tolerance std                         | eng     | B T Varghese | 2017/10/14 |                |          | ecn no                | -                      | rel level | Released |
| ISO 406<br>ISO 1101                   | chr     | -            | -          |                |          |                       |                        |           |          |
| TOLERANCES UNLESS OTHERWISE SPECIFIED | appr    | Varma Sudhir | 2017/10/14 | product family | -        | 2 POS. POWER PLUG KIT |                        | dwg no    | 10143487 |
| surface                               | linear  | 0.X          | ±0.3       | VERIO          | cat. no. | -                     | Product - Customer Drw | rev       | A        |
| ISO 1302                              | angular | 0°           | ±2°        |                |          |                       | sheet 1 of 1           |           |          |