

PRODUCT DESCRIPTION CODE :

10145204-1XXK LF

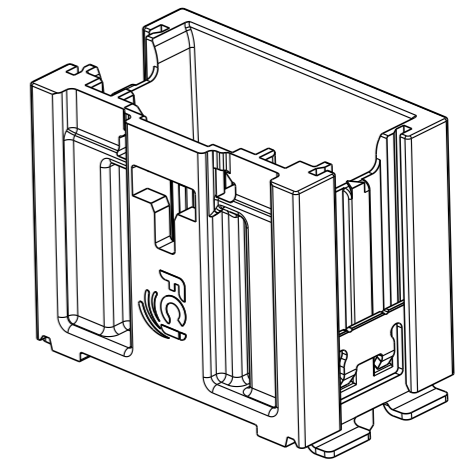
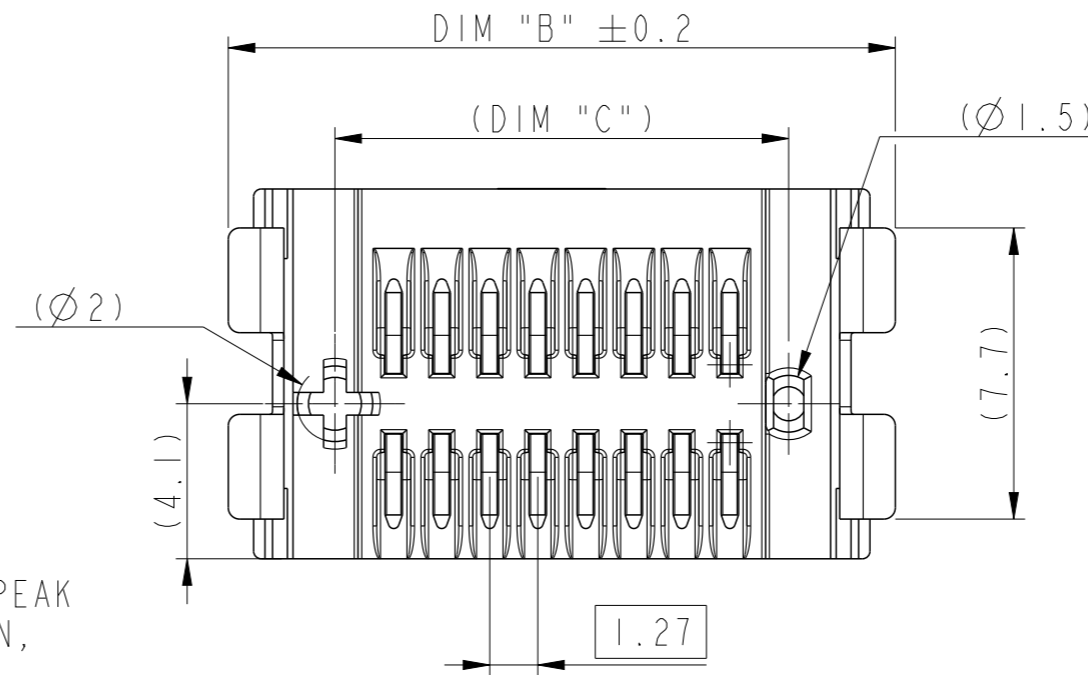
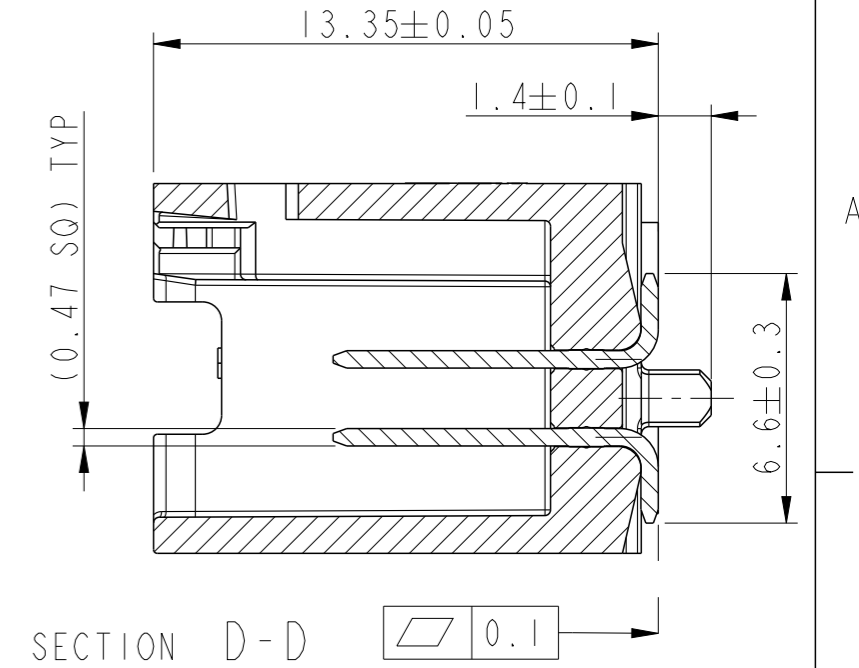
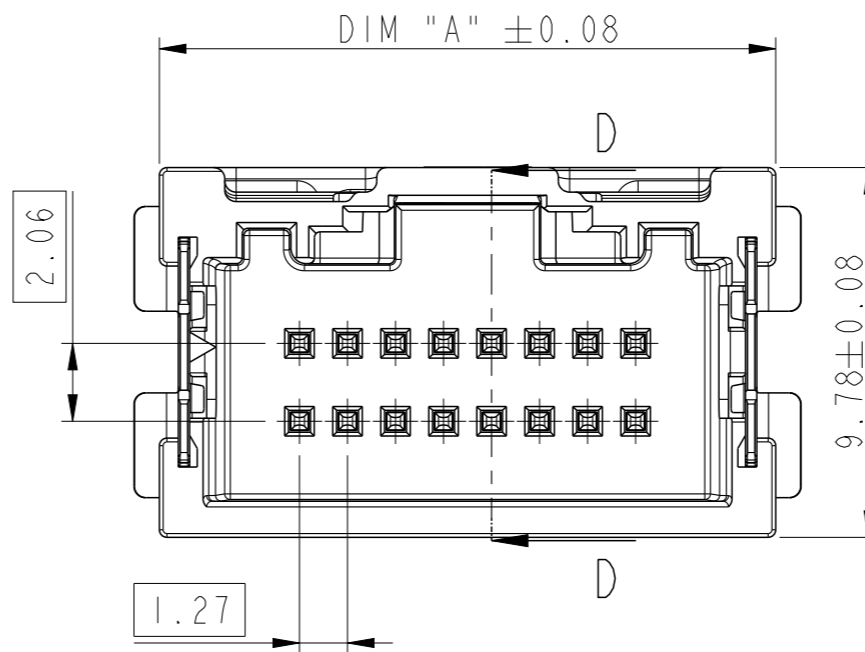
RoHS COMPATIBLE, SEE NOTE 3

FOR CUSTOMER CODE :  
BLANK = GENERAL USE

PACKAGING :  
K = TAPE & REEL

NUMBER OF POSITIONS : 14 TO 30

PLATING :  
1 = 3µm MIN MATTE TIN (PREPLATED)  
2 = 3µm MIN MATTE TIN (POST-PLATED)  
3 = 0.76µm MIN GOLD (CONTACT AREA)  
ALL OVER 1.27µm MIN NICKEL UNDERLAYER



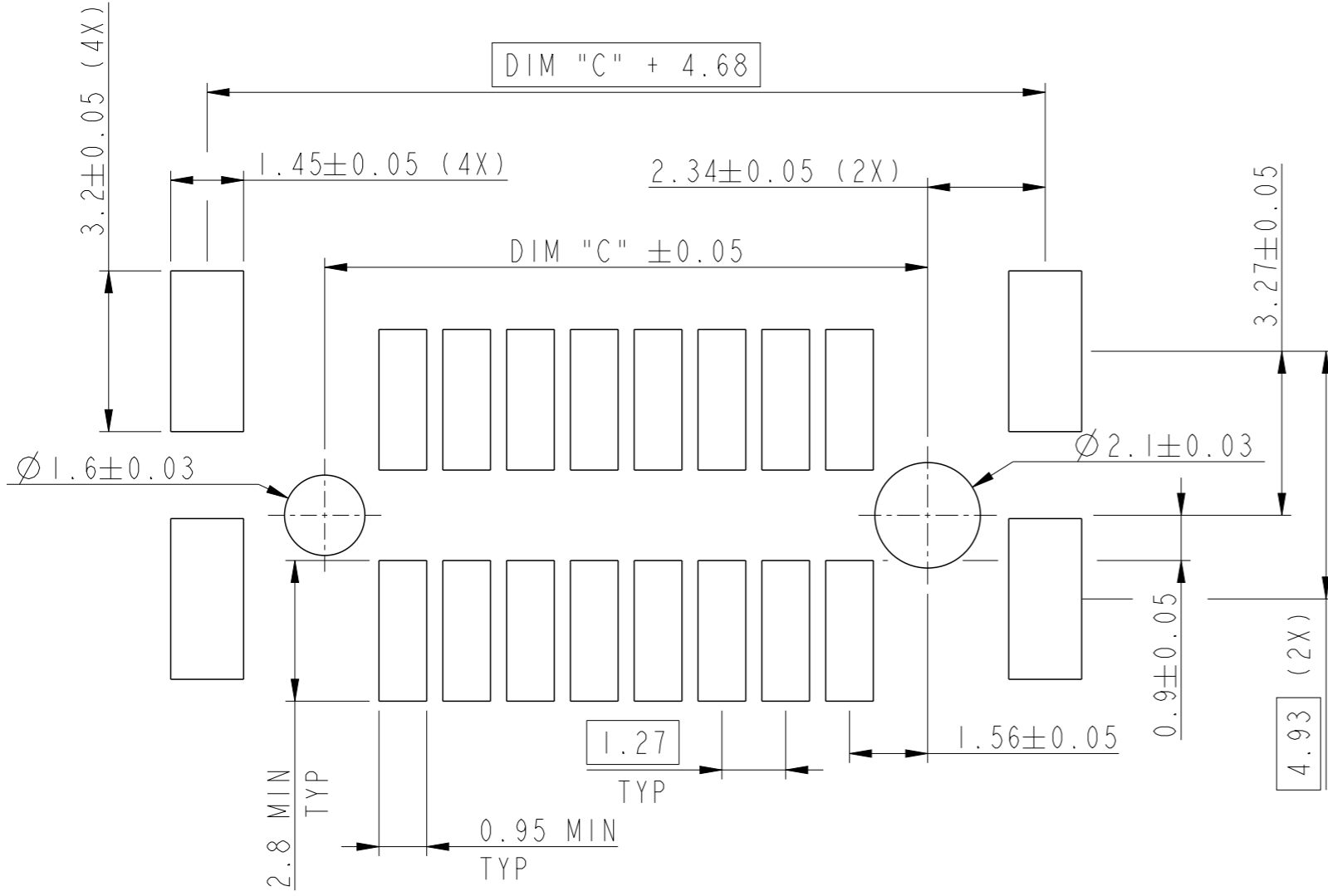
SCALE 3:1

NOTES:

- 1 - MATERIAL:  
HOUSING : HIGH TEMPERATURE THERMOPLASTIC  
COLOR BLACK UL94 V-0  
PIN : HIGH CURRENT COPPER ALLOY
- 2 - TO BE MATED WITH MINITEK µSPACE RECEPTACLE SERIES 10145028
- 3 - RoHS COMPATIBLE PRODUCT SPECIFICATIONS
  - a - PLATING:  
"LF" MEANS THE PRODUCT IS LEAD FREE,  
3µm MINIMUM MATTE TIN OVER 1.27µm MINIMUM NICKEL UNDERPLATE.
  - b - MANUFACTURING PROCESS COMPATIBILITY:  
THE HOUSING WILL WITHSTAND EXPOSURE TO 260°C PEAK TEMPERATURE FOR 30 SECONDS MAX IN A CONVECTION, INFRA-RED OR VAPOR PHASE OR REFLOW OVEN.
  - c - LABELLING :  
MEETS PACKAGING SPECS AS PER GS-14-920
  - d - LEGAL STATEMENT :  
SEE GS-47-0004.

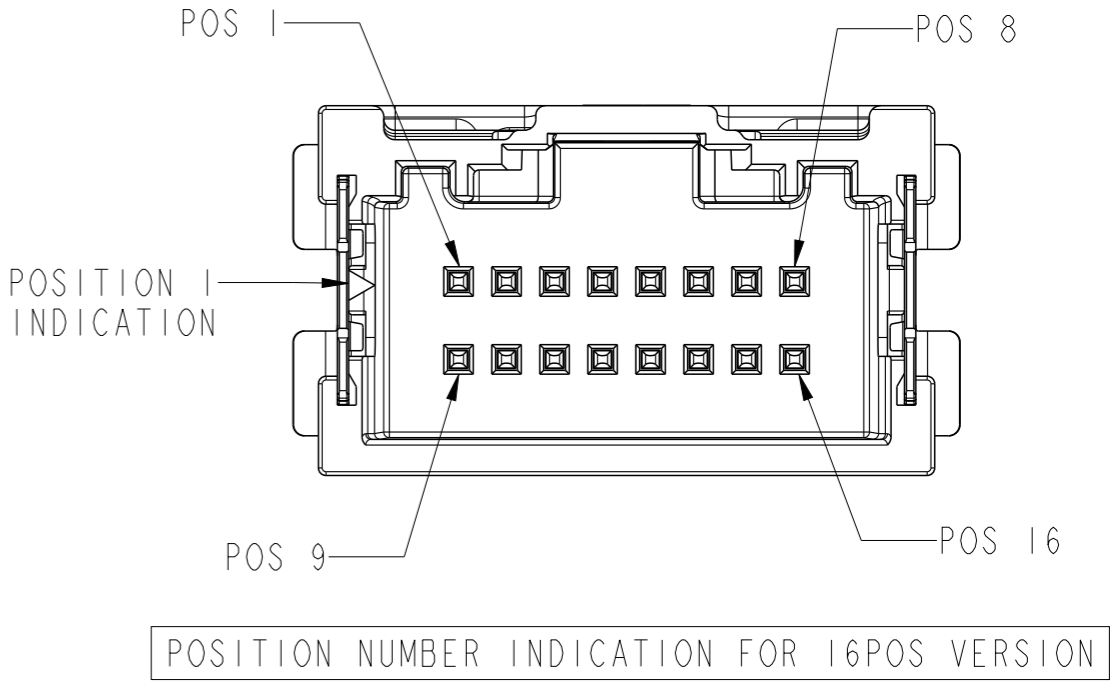
spec ref	-	dr	Sawanth, Ambaa	2018/10/31	projection	mm	size	A3	scale	5:1
tolerance std	ISO 406 ISO 1101	eng	Cyril Jeune	2019/07/23			ecn no	ELX-F-34300-1	rel level	Released
TOLERANCES UNLESS OTHERWISE SPECIFIED		chr	Hyppias, Arnau	2019/07/24						
surface	linear	0.X	±0.3	<b>Amphenol FCI</b>	HEADER ASSEMBLY		dwg no 10145204	rev B		
		0.XX	±0.10		MINITEK µSPACE VERT DR 1.27 TOP LATCH					
	angular	0°	±2°		cat. no.	-			Product - Customer Drw	sheet 1 of 2

PART NO.	NO. OF POSN	DIM "A"	DIM "B"	DIM "C"
10145204-114KLF	14	15.03	16.37	10.73
10145204-116KLF	16	16.30	17.64	12.00
10145204-118KLF	18	17.57	18.91	13.27
10145204-120KLF	20	18.84	20.18	14.54
10145204-122KLF	22	20.11	21.45	15.81
10145204-124KLF	24	21.38	22.72	17.08
10145204-126KLF	26	22.65	23.99	18.35
10145204-128KLF	28	23.92	25.26	19.62
10145204-130KLF	30	25.19	26.53	20.89



RECOMMENDED PCB LAYOUT

SCALE 8:1



spec ref	-	dr	Sawanth, Ambaa	2018/10/31	projection	mm	size	A3	scale	5:1
tolerance std	ISO 406 ISO 1101	eng	Cyril Jeune	2019/07/23			ecn no	ELX-F-34300-1	rel level	Released
TOLERANCES UNLESS OTHERWISE SPECIFIED		chr	Hyppias, Arnau	2019/07/24						
surface	linear	0.X	±0.3		<b>HEADER ASSEMBLY</b>		dwg no 10145204	rev B		
		0.XX	±0.10		MINITEK μSPACE VERT DR 1.27 TOP LATCH					
	angular	0°	±2°		cat. no.	-			Product - Customer Drw	sheet 2 of 2