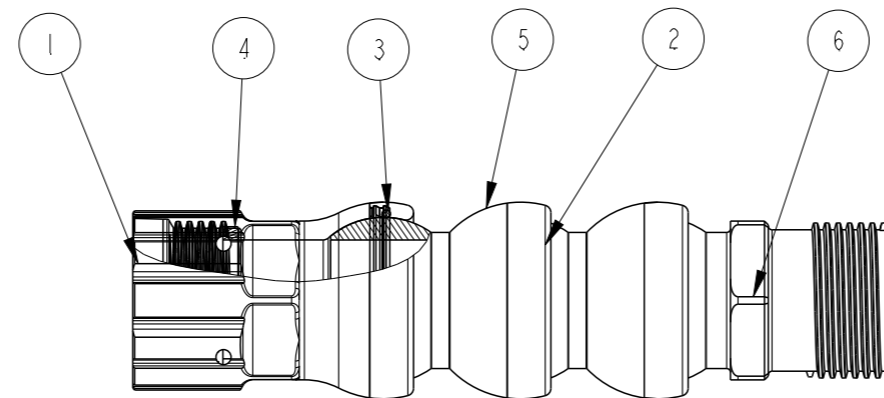
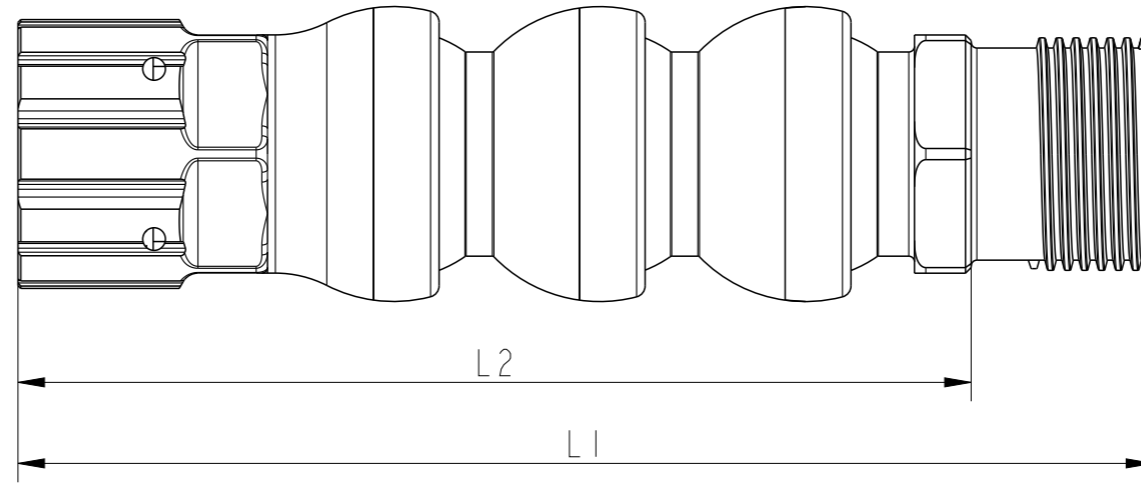
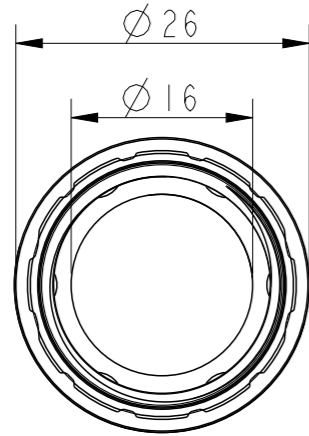
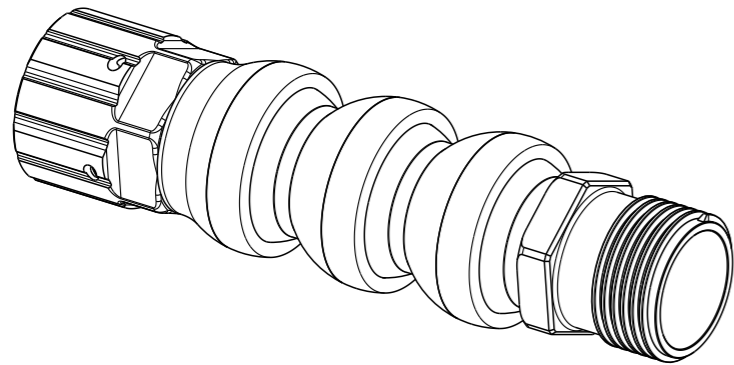


PART NUMBER
SEE SHEET 2

OCTIS ARTICULATED EXTENTION KIT



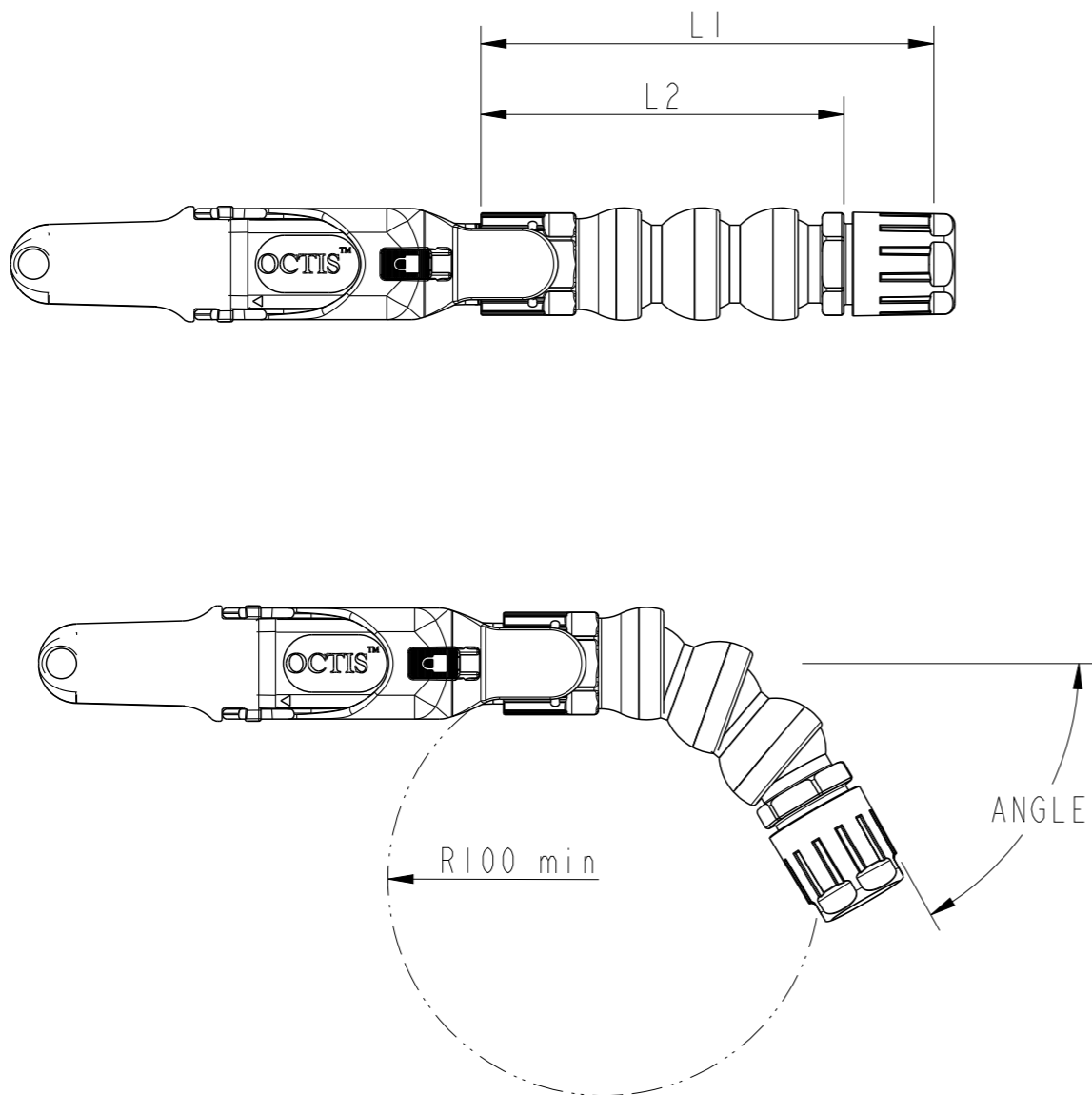
PACKING CONFIGUARTION



BOM OF ARTICULATED EXTENTION KIT			
SL.NO	COMPONENT	MATERIAL	REMARKS
1	FEMALE SCREW	PBT GF	-
2	LOCKING RING	PBT GF	-
3	GASKET	EPDM	-
4	GASKET	EPDM	-
5	LINK	PBT GF	-
6	MALE SCREW	PBT GF	-

spec ref	dr	B T Varghese	2018/01/13	projection	mm	size	A3	scale	1:1
tolerance std	eng	B T Varghese	2018/01/18			ecn no		-	
TOLERANCES UNLESS OTHERWISE SPECIFIED						product family		rel level	
surface	<input checked="" type="checkbox"/> linear <input type="checkbox"/> angular	0.X	± 0.3	Amphenol FCI OCTIS ARTICULATED EXTENTION KIT OCTIS	cat. no.	Product - Customer Drw	dwg no 10146568	rev A	sheet 1 of 3
		0.XX	$\pm .13$						
		0.XXX	$\pm .050$						
ISO 1302		0°	$\pm 2^\circ$						

EXAMPLE - 10146568-003



AFCI P/N	No of joints	L1* (mm)	L2** (mm)	R (mm)	Angl Max
10146568-001	1	67.5	47.8	100 min	19°
10146568-002	2	85.5	65.9		38°
10146568-003	3	103.5	84		57°
10146568-004	4	121.8	102.2		76°
10146568-005	5	140	120.4		95°
10146568-006	6	158	138.5		114°
10146568-007	7	176.2	156.7		133°
10146568-008	8	194.5	174.8		152°
10146568-009	9	212.5	193		171°
10146568-010	10	230.7	211.1		190°
10146568-011	11	218.9	229.3		209°
10146568-012	12	267	247.4		228°
10146568-013	13	285.2	265.6		247°
10146568-014	14	303.3	283.7		266°

* Over all length
 ** Offset distance of cable gland

spec ref		dr	B T Varghese	2018/01/13	projection	mm	size	A3	scale	1:1	
tolerance std		eng	B T Varghese	2018/01/18			ecn no		-		
TOLERANCES UNLESS OTHERWISE SPECIFIED		chr	-	-			rel level		Released		
surface	linear	0.X	±0.3	Amphenol FCI	product family		OCTIS		OCTIS ARTICULATED EXTENTION KIT OCTIS	dwg no 10146568	rev A
		0.XX	±.13		rel level		Released				
	0.XXX	±.050	cat. no.		-		Product - Customer Drw				
ISO 1302	angular	0°	±2°								

GENERAL CHARACTERISTICS

Mechanical		
Mating endurance (cycles)	IEC 61300-2-2	100
Vibration	IEC 61300-2-1	-
Weight (g)		Depending on P/N
Tensile load		200N
Environmental		
Protection class (mated condition)	IEC 60529	IP67 (*)
Operating temperature (°C)	IEC 61300-2-22	-40 / +105
Storage temperature (°C)	IEC 61300-2-22	-65 / +105
Humidity (damp heat) (%RH)	IEC 61300-2-19	5 / 95
Salt Mist	ISO21207	Compliant
RoHS	-	Compliant
Flammability	UL 94	V0
Others:		
Installation	-	To be used with OCTIS plug
Packaging	-	Unitary in plastic bag

(*) Mated condition

spec ref	dr	B T Varghese	2018/01/13	projection	mm	size	A3	scale	1:1		
tolerance std	eng	B T Varghese	2018/01/18			ecn no		-			
TOLERANCES UNLESS OTHERWISE SPECIFIED						product family		OCTIS		rel level	
surface	chr	-	-	OCTIS ARTICULATED EXTENTION KIT		dwg no		10146568		rev	A
ISO 1302	appr	K-Paul Biju	2018/01/18	OCTIS		cat. no.		-		Product - Customer Drw	
	linear	0.X	±0.3							sheet 3 of 3	
		0.XX	±.13								
		0.XXX	±.050								
	angular	0°	±2°								