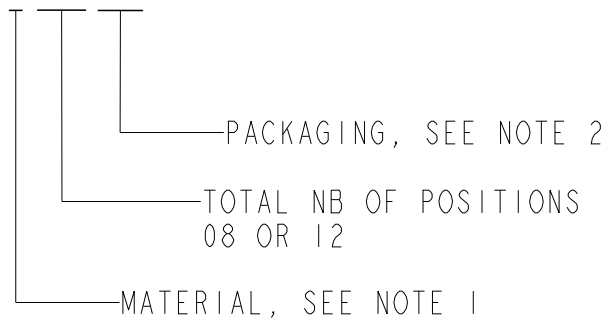


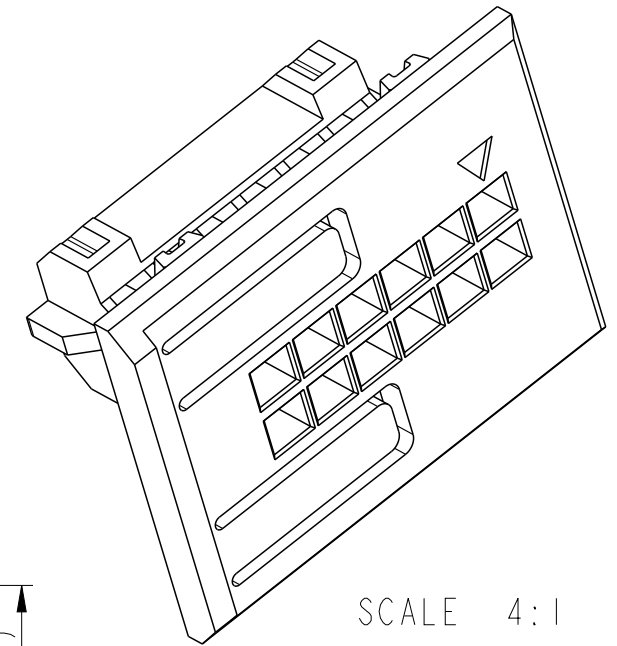
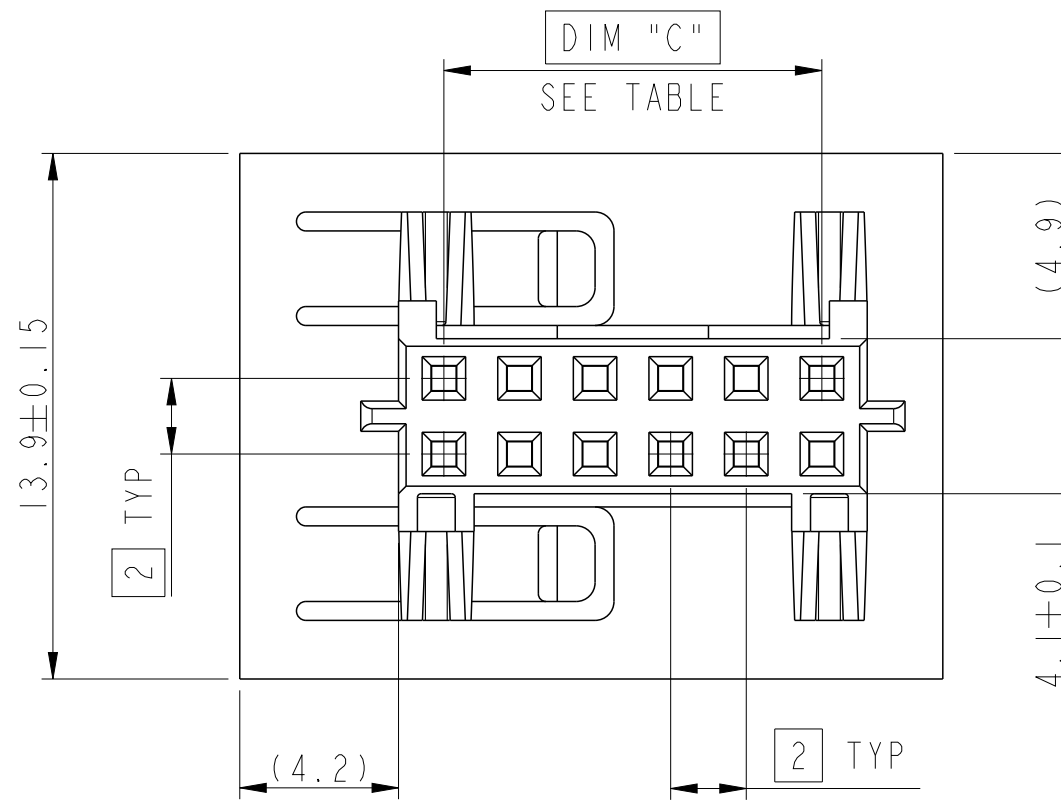
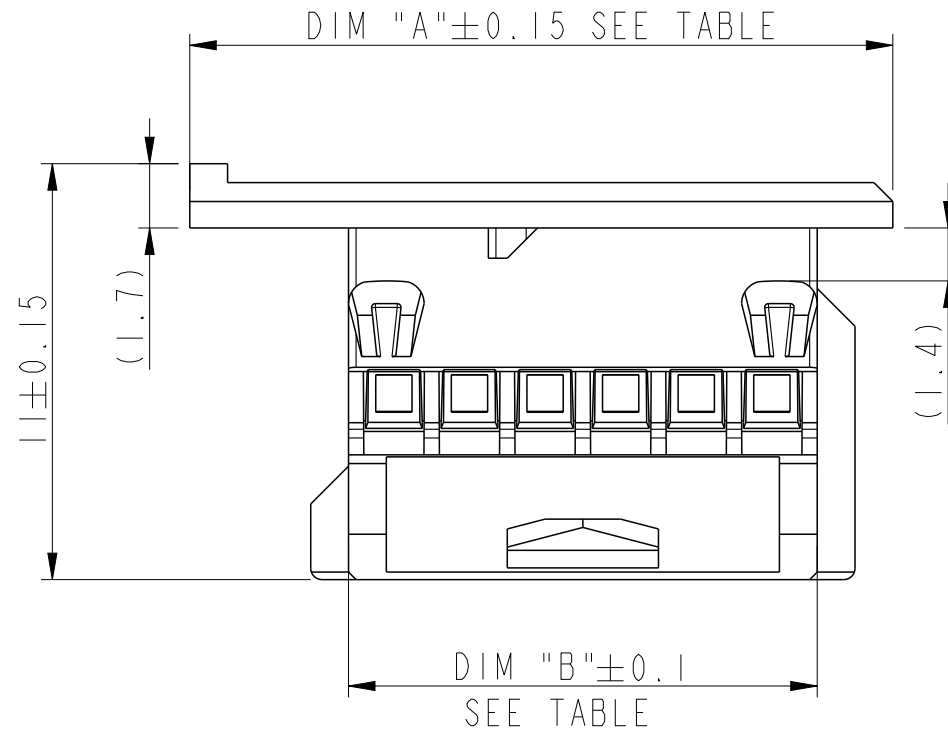
PRODUCT NUMBER:

10148136-0XX LF



NOTES :

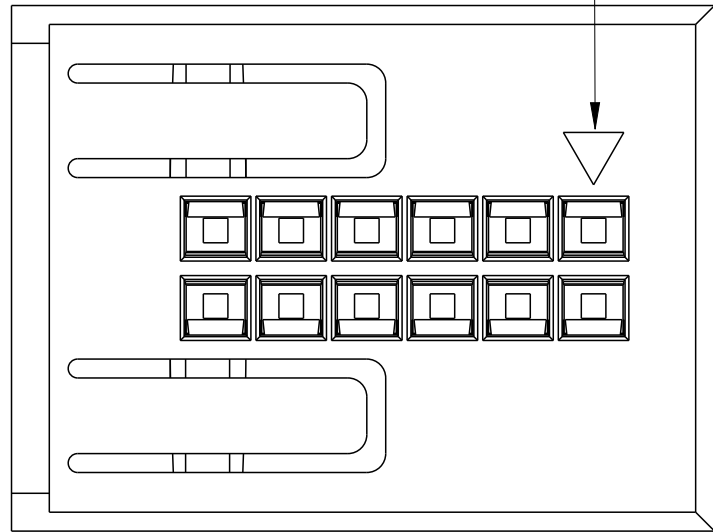
- 1 - HOUSING MATERIAL :  
 HIGH TEMPERATURE THERMOPLASTIC  
 COLOR BLACK
- 2 - PACKAGING : BLANK = BULK
- 3 - CODING TRIANGLE INDICATES POS 1, WHEN MATED WITH  
 MINITEK HEADER 10148138
- 4 - FOR USE WITH MINITEK CRIMP TO WIRE CONTACT 77138  
 (26 - 30 AWG) AND 10044403 (22 - 24 AWG)
- 5 - PRODUCT SPECIFICATION AS PER GS-12-1470,  
 CONTACT CRIMP RECOMMENDATIONS AS PER GS-20-058.
- 6 - PRODUCT MEETS EUROPEAN UNION DIRECTIVES AND OTHERS  
 REGULATIONS AS DESCRIBED IN GS-22-008.
- 7 - THIS PRODUCT IS NOT INTENDED TO BE EXPOSED TO  
 MANUFACTURING SOLDER PROCESSES.



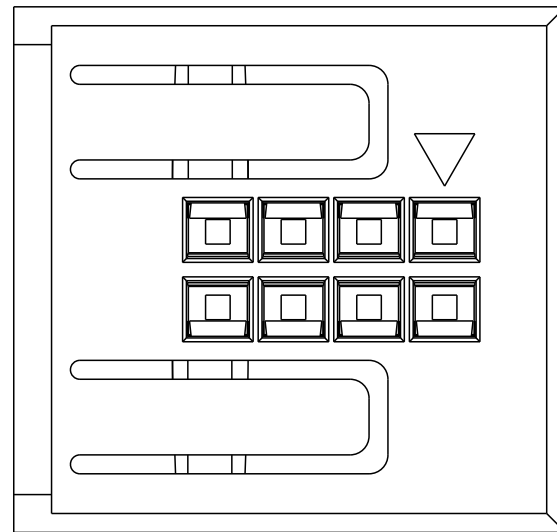
spec ref -		dr	Sawanth, Ambaa	2019/03/19	projection	mm	size	A3	scale	5:1	
tolerance std		eng	Hyppias, Arnau	2019/04/11			ecn no -		rel level Released		
ISO 406 ISO 1101		chr	Cyril Jeune	2019/04/11			product family -		rel level Released		
TOLERANCES UNLESS OTHERWISE SPECIFIED		appr	Beatrice Vial	2019/04/11	product family -		rel level Released		rel level Released		
surface	linear	0.X	±0.3		MINITEK HOUSING CTW 2MM		dwg no	10148136		rev	A
		0.XX	±0.10		MINITEK BLINDMATE						
	angular	0°	±2°		cat. no.	-	Product - Customer Drw	sheet 1 of 3			

	Dim A	Dim B	Dim C	Dim D
8 POSITION	14.6	8.4	6	12.6
12 POSITION	18.6	12.4	10	16.6

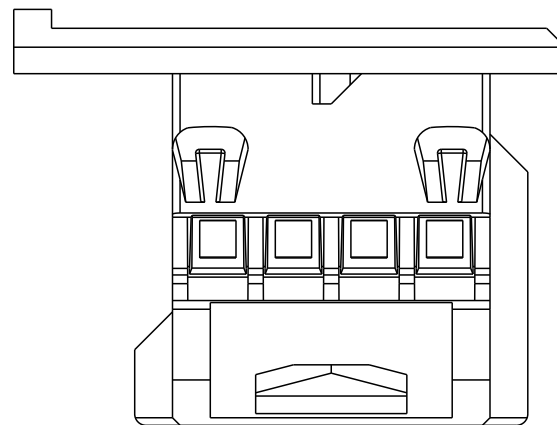
INDICATES POSITION 1  
see note 3



12 POSITION

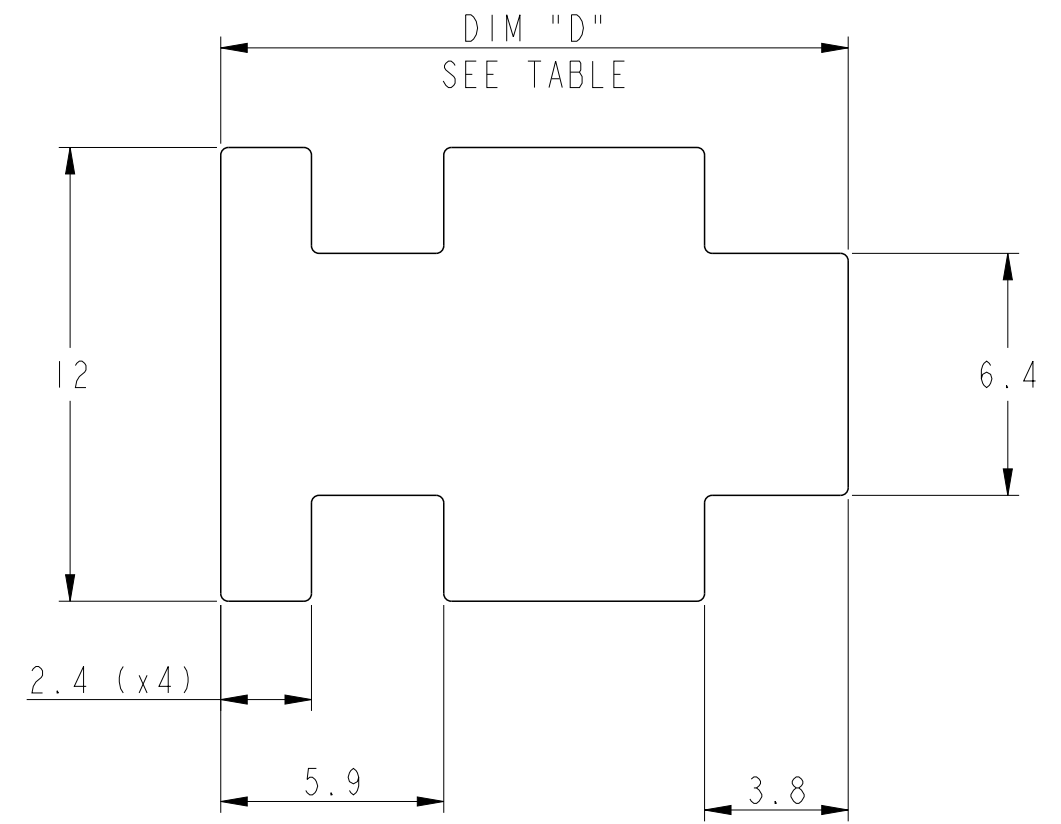


8 POSITION



RECOMMENDED PANEL LAYOUT

RECOMMENDED PANEL TOLERANCE  $\pm 0.10$   
THICKNESS:  $1.15 \pm 0.10$



SCALE 5:1

spec ref	-	dr	Sawanth, Ambaa	2019/03/19	projection	mm	size	A3	scale	5:1
tolerance std	ISO 406 ISO 1101	eng	Hyppias, Arnau	2019/04/11			ecn no		-	
TOLERANCES UNLESS OTHERWISE SPECIFIED		chr	Cyril Jeune	2019/04/11			rel level		Released	
surface	linear	appr	Beatrice Vial	2019/04/11	product family		-		cat. no.	-
					MINITEK HOUSING CTW 2MM		dwg no		10148136	
					MINITEK BLINDMATE		rev		A	
ISO 1302	angular				Product - Customer Drw		sheet 2 of 3			

A

B

C

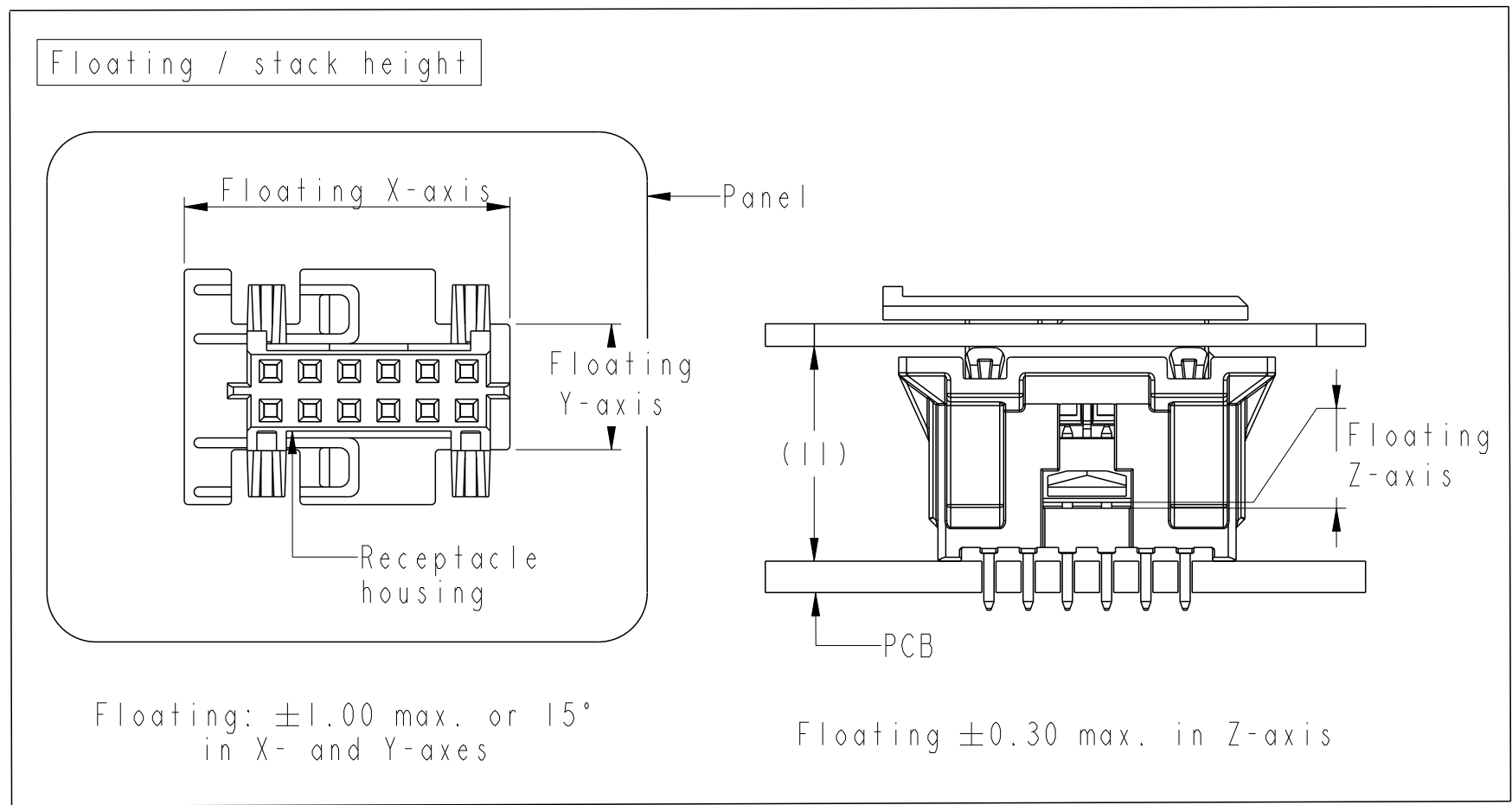
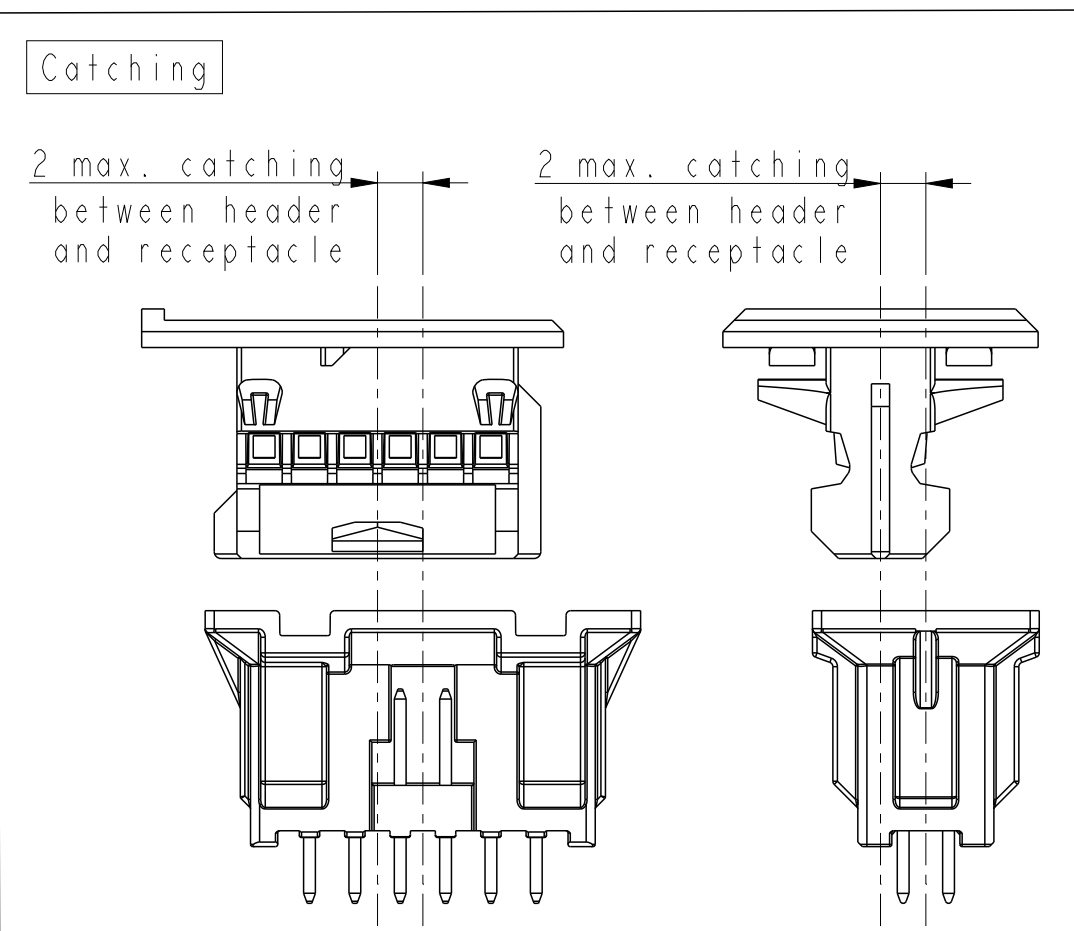
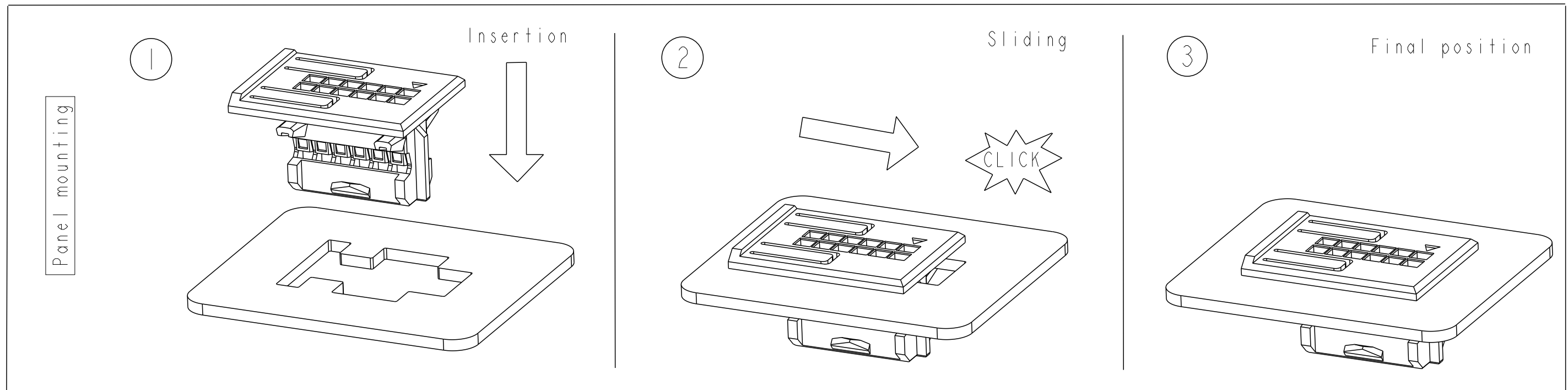
D

A

B

C

D



Amphenol FCI

© 2016 AFCI

spec ref	-	dr	Sawanth, Ambaa	2019/03/19	projection	mm	size	A3	scale	5:1	
tolerance std	ISO 406 ISO 1101	eng	Hyppias, Arnau	2019/04/11			ecn no	-	rel level	Released	
TOLERANCES UNLESS OTHERWISE SPECIFIED		chr	Cyril Jeune	2019/04/11			product family	-			
surface	linear	0.X	$\pm 0.3$	<b>Amphenol FCI</b>	MINITEK HOUSING CTW 2MM		dwg no 10148136	rev		A	
		0.XX	$\pm 0.10$		MINITEK BLINDMATE						
	angular	0°	$\pm 2^\circ$		cat. no.	-		Product - Customer Drw	sheet 3 of 3		