

PRODUCT NUMBER:

10148138-G 01 XX U LF

RoHS COMPATIBLE, SEE NOTE 5

PACKAGING, SEE NOTE 4

TOTAL NB OF POSITIONS 08 OR 12

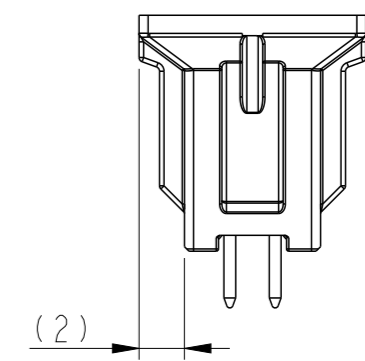
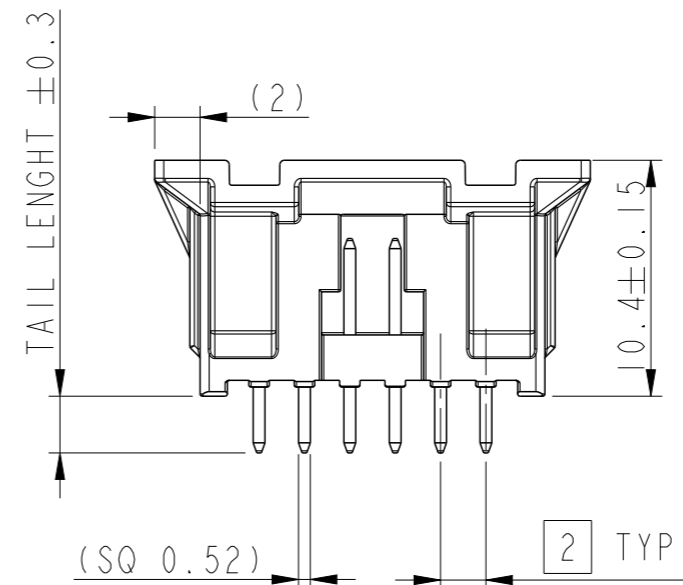
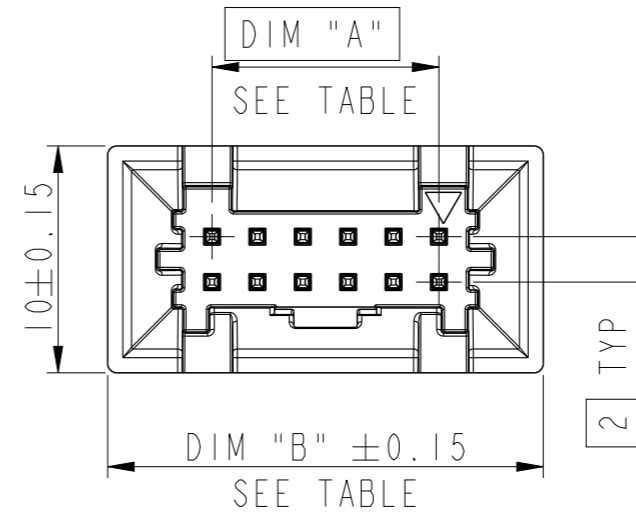
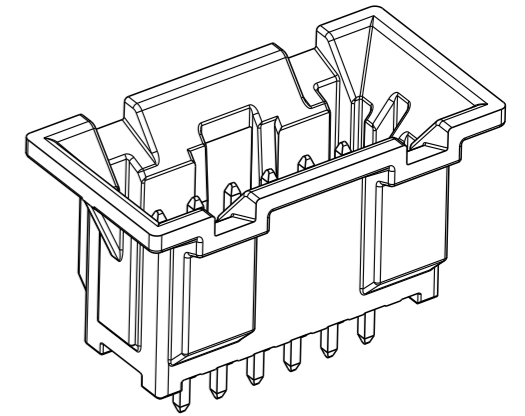
PLATING :

G = 0.76µm GOLD/GXT
ON CONTACT AREA
2µm MIN MATE TIN ON TAIL

S = 0.38µm GOLD/GXT
ON CONTACT AREA
2µm MIN MATE TIN ON TAIL

1.27µm Ni MIN UNDERLAYER

PIN STYLE	TAIL LENGTH
01	2.50
02	4.10



NOTES :

- 1 - HOUSING MATERIAL : HIGH TEMPERATURE THERMOPLASTIC
COLOR NATURAL UL 94 V-0
- 2 - TERMINAL MATERIAL : COPPER ALLOY
- 3 - PIN RETENTION : 7N MIN PIN RETENTION IN EITHER DIRECTION
- 4 - PACKAGING : "U" : PACKED IN TUBE
- 5 - RoHS COMPATIBLE PRODUCT SPECIFICATIONS
 - a - PLATING :
"LF" MEANS THE PRODUCT IS LEAD-FREE, 2µm MINIMUM MATTE TIN OVER 1.27µm MINIMUM NICKEL UNDERPLATE.
 - b - MANUFACTURING PROCESS COMPATIBILITY :
THE HOUSING WILL WITHSTAND EXPOSURE TO 260°C ± 5°C SOLDER BATH TEMPERATURE FOR 5 SECONDS IN A WAVE SOLDER APPLICATION WITH A 1.6mm MIN THICK CIRCUIT BOARD.
 - c - LABELLING :
MEETS PACKAGING SPECS AS PER GS-14-920
 - d - THIS PRODUCT MEETS EUROPEAN DIRECTIVES AND OTHER COUNTRY REGULATIONS AS DISCRIBED IN GS-47-0004.

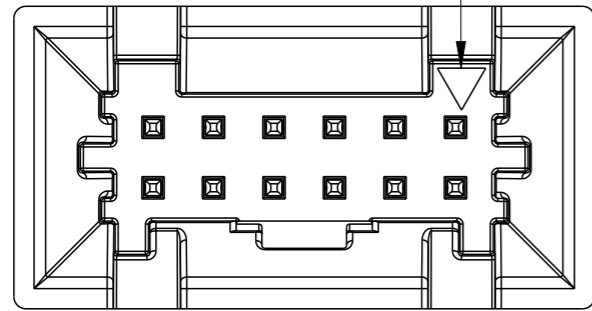
Amphenol FCI

© 2016 AFCI

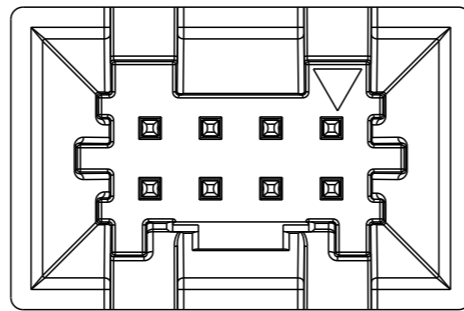
spec ref	-	dr	Ramu P	2018/06/07	projection	mm	size	A3	scale	3:1
tolerance std	ISO 406 ISO 1101	eng	Hyppias, Arnau	2019/04/11		← →	ecn no	-	rel level	Released
TOLERANCES UNLESS OTHERWISE SPECIFIED		chr	Cyril Jeune	2019/04/11			product family	-	rel level	Released
surface	linear	appr	Beatrice Vial	2019/04/11	MINITEK HEADER ASM 2MM		dwg no	10148138	rev	A
ISO 1302	angular				MINITEK BLINDMATE		Product - Customer Drw		sheet 1 of 2	

PART NUMBER	NO. OF POS	DIM "A"	DIM "B"
10148138-G0108	08	6	15.2
10148138-G0112	12	10	19.2

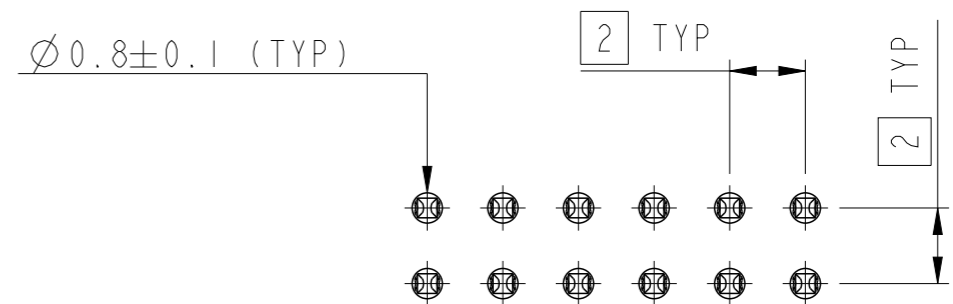
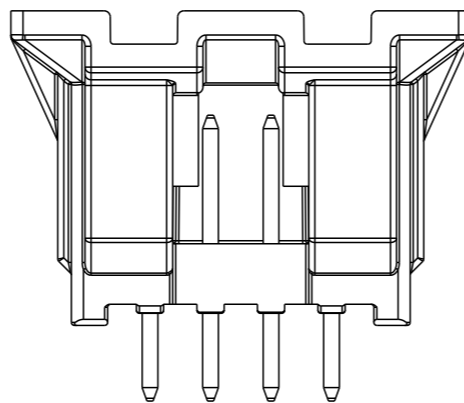
POSITION 1 INDICATION



12 POSITION



8 POSITION



RECOMMENDED HOLE PATTERN

(12 POSITION)

spec ref	-	dr	Ramu P	2018/06/07	projection	mm	size	A3	scale	3:1	
tolerance std	ISO 406 ISO 1101	eng	Hyppias, Arnau	2019/04/11			ecn no		-		
TOLERANCES UNLESS OTHERWISE SPECIFIED		chr	Cyril Jeune	2019/04/11			rel level		Released		
surface	linear	appr	Beatrice Vial	2019/04/11	product family	-	dwg no		10148138	rev	A
ISO 1302	angular			Amphenol FCI		MINITEK HEADER ASM 2MM MINITEK BLINDMATE		cat. no. - Product - Customer Drw		sheet 2 of 2	

Amphenol FCI

© 2016 AFCI