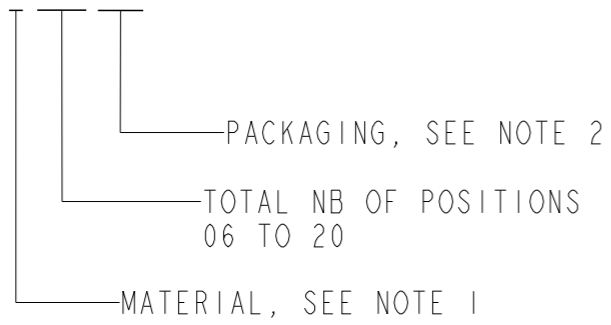


PRODUCT NUMBER:

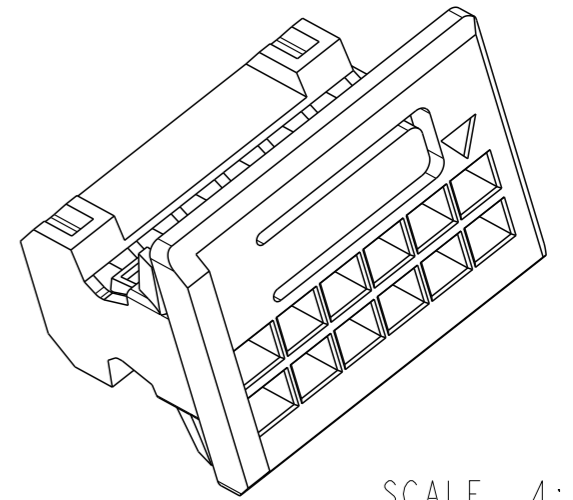
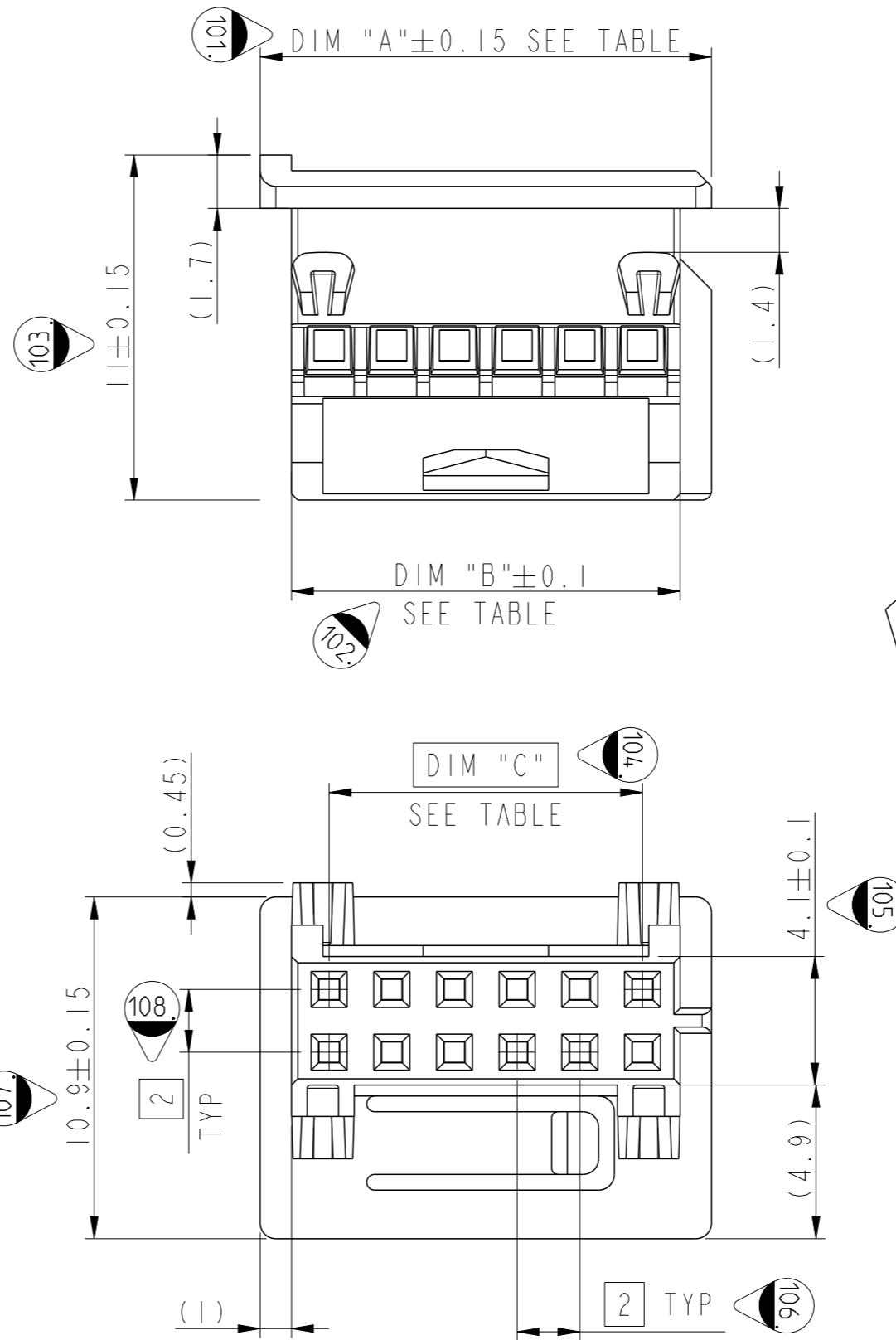
10148139-0XX LF



NOTES :

- 1 - HOUSING MATERIAL : HIGH TEMPERATURE THERMOPLASTIC COLOR BLACK
- 2 - PACKAGING : BLANK = BULK
- 3 - CODING TRIANGLE INDICATES POS 1, WHEN MATED WITH MINITEK HEADER 10148138
- 4 - FOR USE WITH MINITEK CRIMP TO WIRE CONTACT 77138 (26 - 30 AWG) AND 10044403 (22 - 24 AWG)
- 5 - PRODUCT SPECIFICATION AS PER GS-12-1470, CONTACT CRIMP RECOMMENDATIONS AS PER GS-20-058.
- 6 - PRODUCT MEETS EUROPEAN UNION DIRECTIVES AND OTHERS REGULATIONS AS DESCRIBED IN GS-22-008.
- 7 - THIS PRODUCT IS NOT INTENDED TO BE EXPOSED TO MANUFACTURING SOLDER PROCESSES.

HIGHEST BALLOON INDEX NUMBER: 108
REMOVED BALLOON INDEX NUMBER:

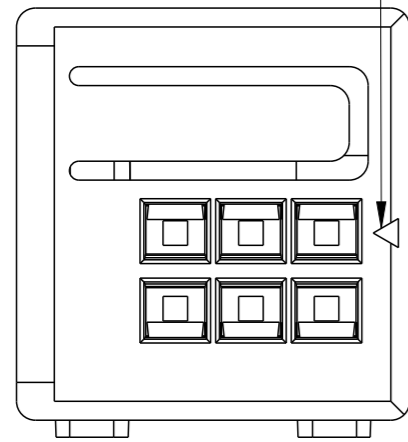


SCALE 4:1

spec ref -		dr	Sawanth, Ambaa	2019/03/19	projection	mm	size	A3	scale	5:1	
tolerance std		eng	Perrin, Emille	2020/03/25			ecn no		ELX-F-35953-2		
ISO 406 ISO 1101		chr	Perrin, Emille	-			rel level		Released		
TOLERANCES UNLESS OTHERWISE SPECIFIED		appr	Wollin, Severi	2020/03/25	product family		-		-		
surface	linear	0.X	±0.3	Amphenol FCI	MINITEK HOUSING CTW 2MM		dwg no	10148139		rev	C
		0.XX	±0.10		MINITEK BLINDMATE						
		0.XXX	±0.005		cat. no.	-		Product - Customer Drw		sheet 1 of 3	
	angular	0°	±2°								

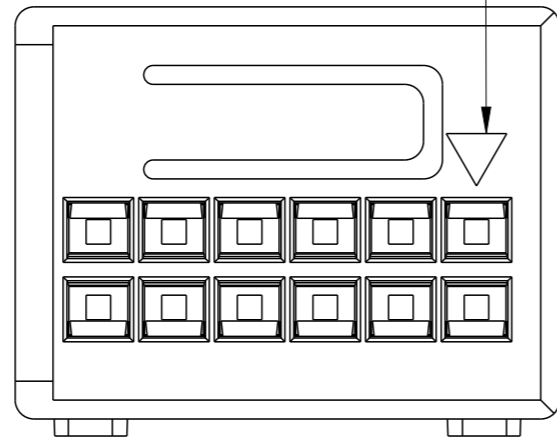
	Dim A	Dim B	Dim C	Dim D
6 POSITION	10.4	8.4	4	10.8
8 POSITION	10.4	8.4	6	10.8
10 POSITION	12.4	10.4	8	12.8
12 POSITION	14.4	12.4	10	14.8
14 POSITION	16.4	14.4	12	16.8
16 POSITION	18.4	16.4	14	18.8
18 POSITION	20.4	18.4	16	20.8
20 POSITION	22.4	20.4	18	22.8

INDICATES POSITION
see note 3

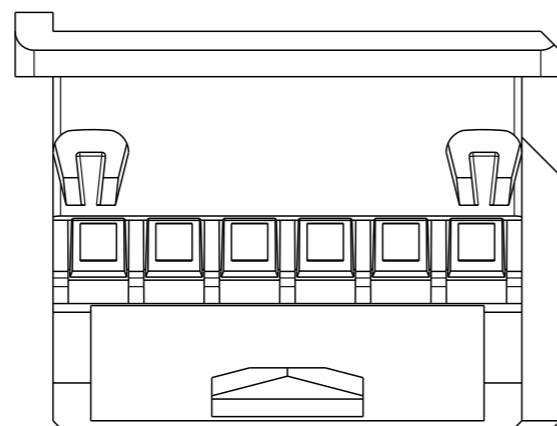
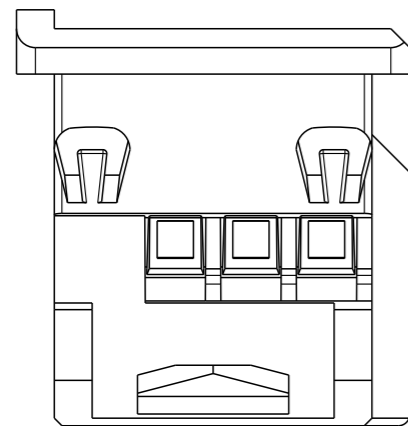


6 POSITION

INDICATES POSITION 1
see note 3



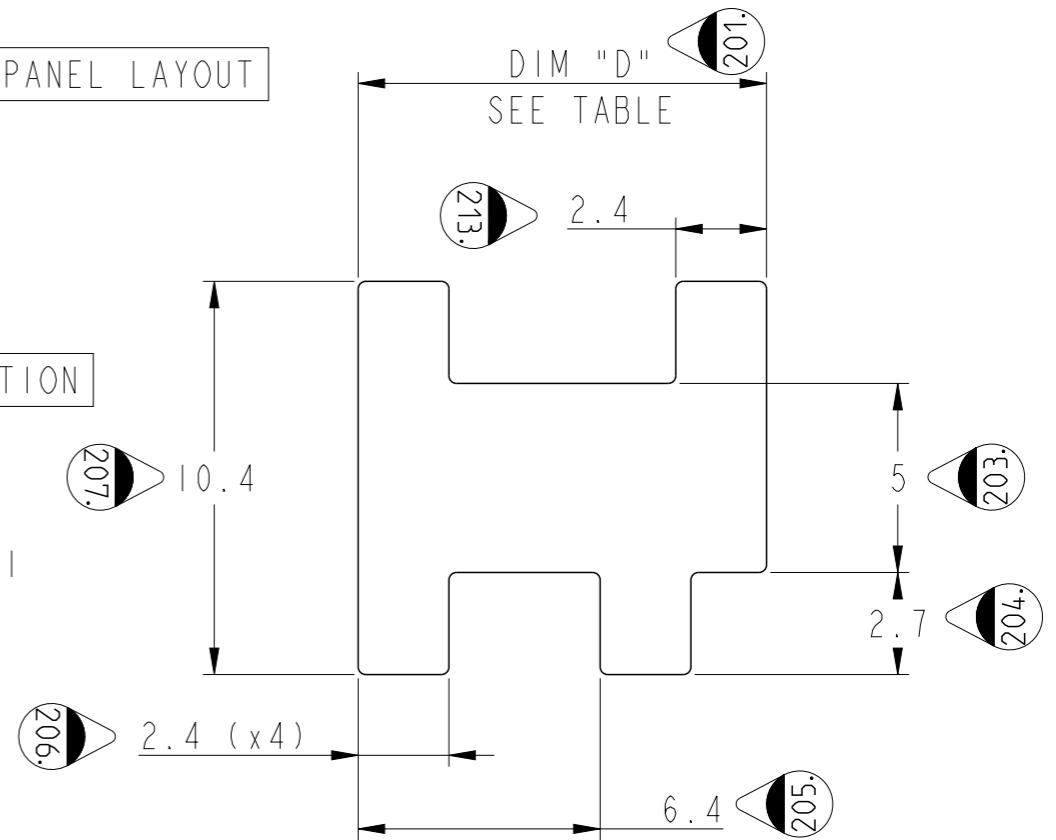
12 POSITION



RECOMMENDED PANEL LAYOUT

6 & 8 POSITION

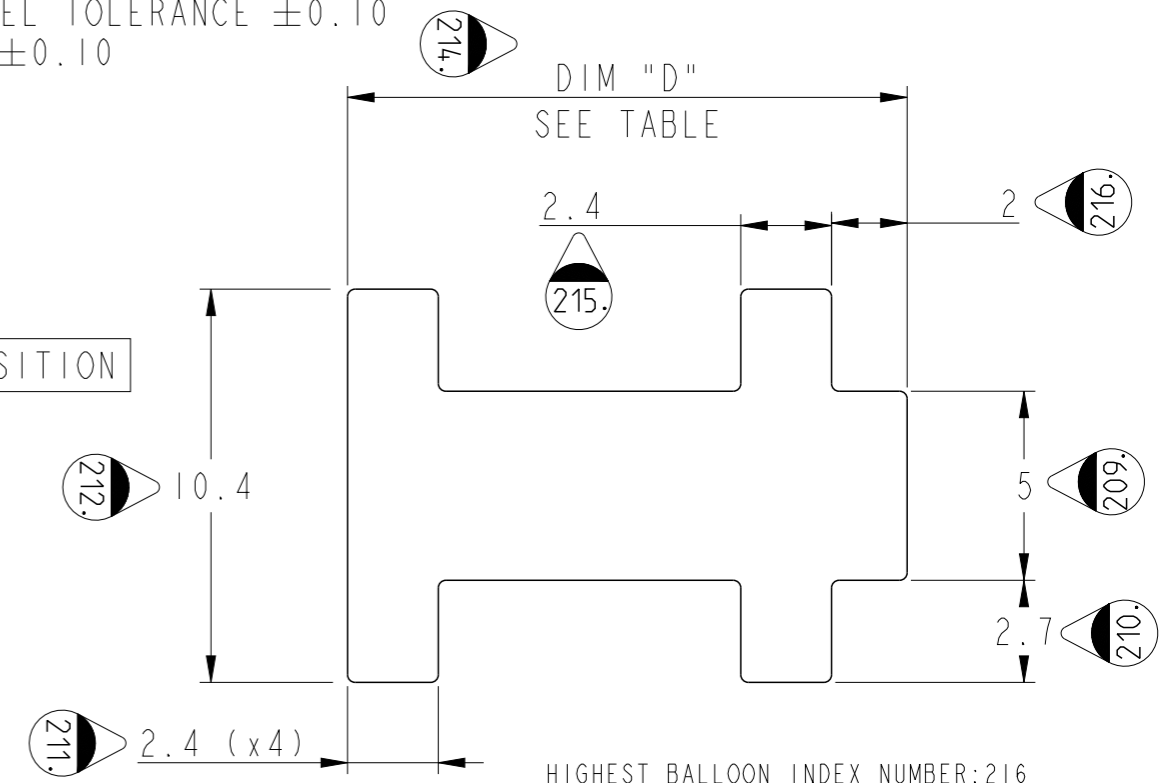
SCALE 5:1



RECOMMENDED PANEL TOLERANCE ± 0.10
THICKNESS: 1.15 ± 0.10

10 TO 20 POSITION

SCALE 5:1



HIGHEST BALLOON INDEX NUMBER: 216
REMOVED BALLOON INDEX NUMBER: 202, 208

spec ref	-	dr	Sawanth, Ambaa	2019/03/19	projection	mm	size	A3	scale	5:1
tolerance std	ISO 406 ISO 1101	eng	Perrin, Emilie	2020/03/25			ecn no	ELX-F-35953-2	rel level	Released
TOLERANCES UNLESS OTHERWISE SPECIFIED		chr	Perrin, Emilie	-						
surface	linear	0.X	± 0.3		MINITEK HOUSING CTW 2MM MINITEK BLINDMATE	cat. no. -	Product - Customer Drw	sheet 2 of 3	rev C	
		0.XX	± 0.10							
	angular	0°	$\pm 2^\circ$							

A

B

C

D

A

B

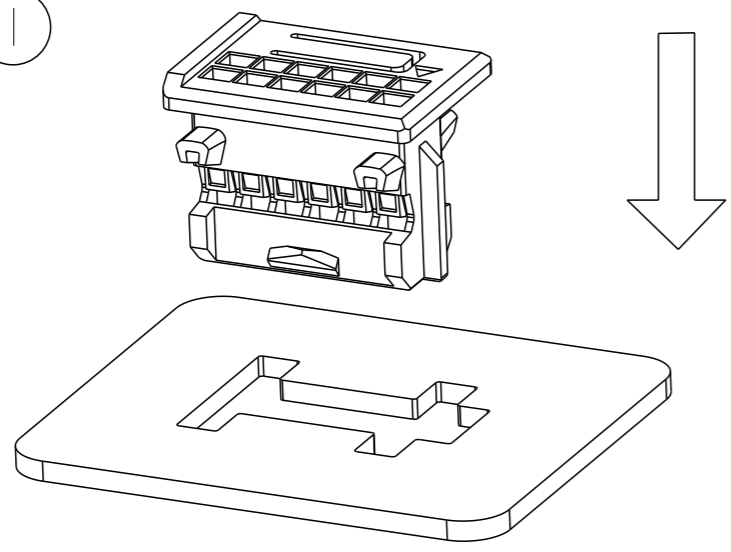
C

D

Panel mounting

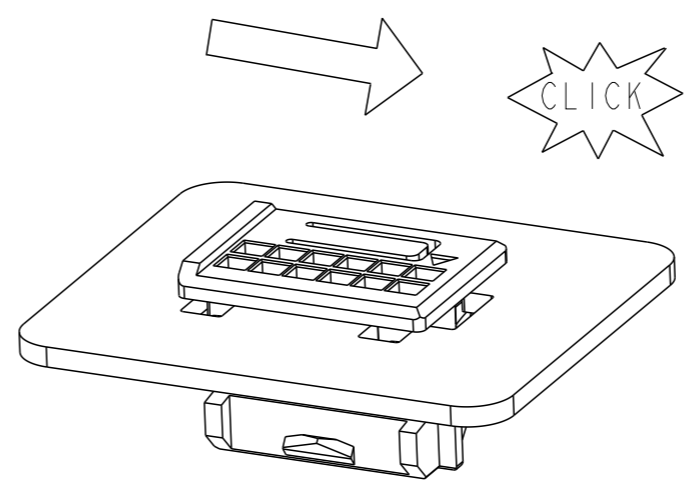
1

Insertion



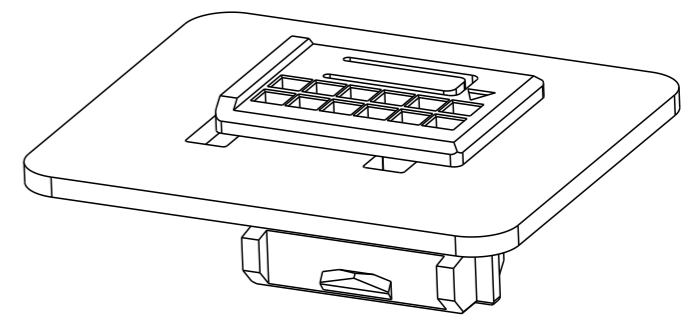
2

Sliding



3

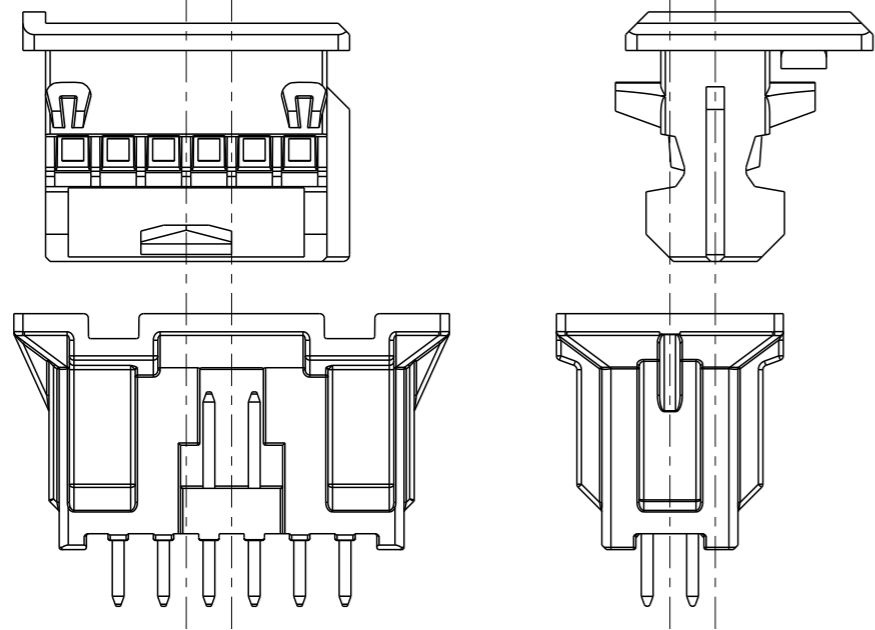
Final position



Catching

2 max. catching between header and receptacle

2 max. catching between header and receptacle

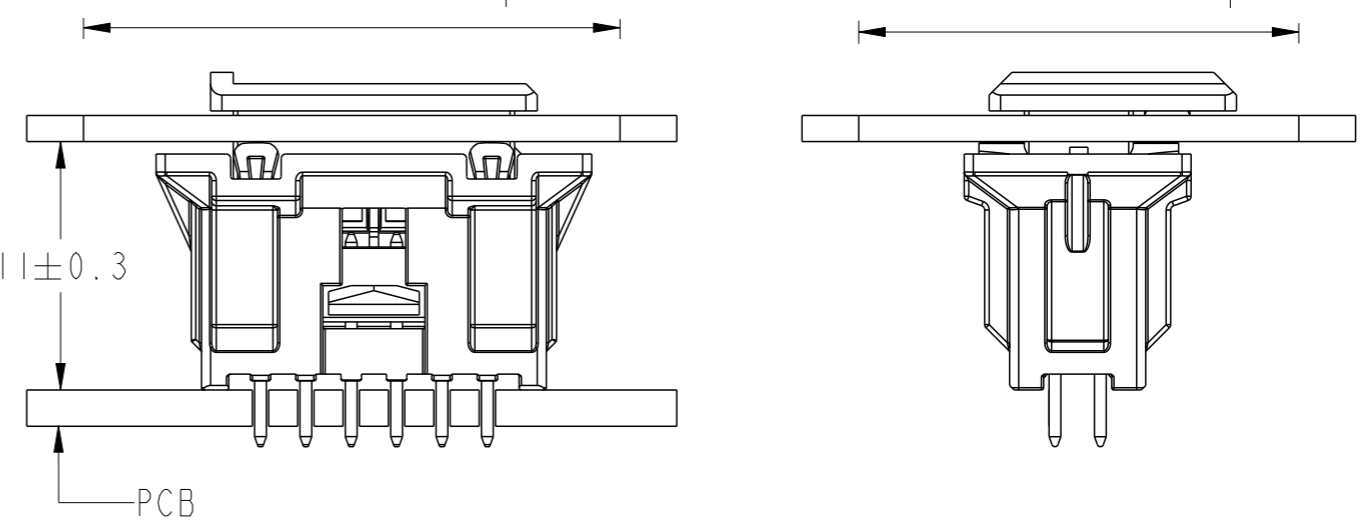


Misalignment / stack height

misalignment: 0.30 max. between header and panel

misalignment: 0.20 max. between header and panel

301.



Amphenol FCI

© 2016 AFCI

spec ref	-	dr	Sawanth, Ambaa	2019/03/19	projection	mm	size	A3	scale	4:1	
tolerance std	ISO 406 ISO 1101	eng	Perrin, Emille	2020/03/25			ecn no	ELX-F-35953-2	rel level		Released
TOLERANCES UNLESS OTHERWISE SPECIFIED		chr	Perrin, Emille	-			product family	-			
surface	linear	0.X	±0.3		MINITEK HOUSING CTW 2MM		dwg no 10148139	rev		C	
		0.XX	±0.10		MINITEK BLINDMATE						
	angular	0°	±2°		cat. no.	-		Product - Customer Drw	sheet 3 of 3		