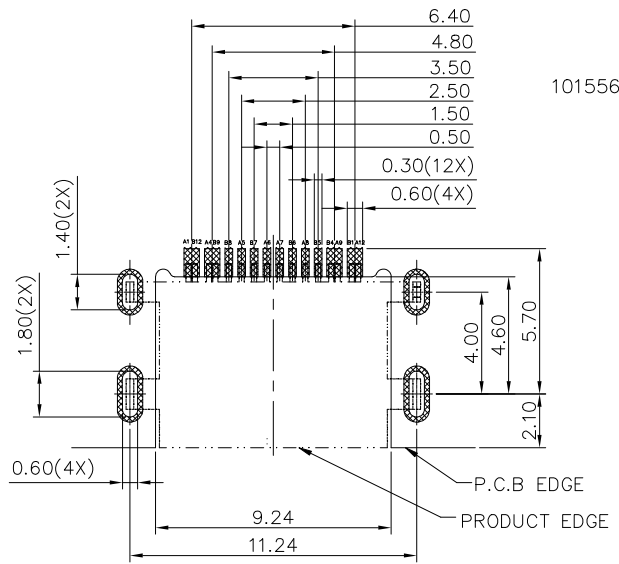
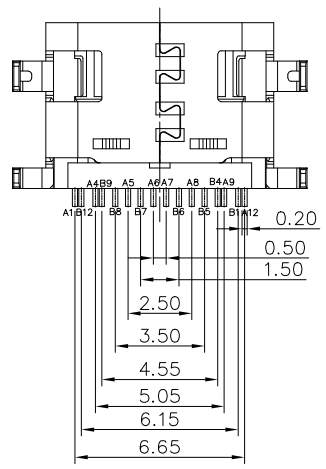
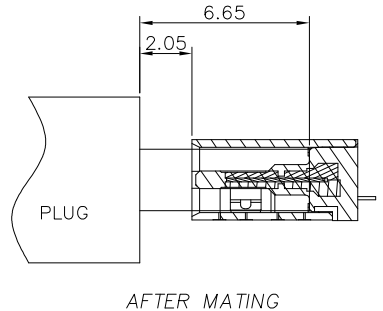
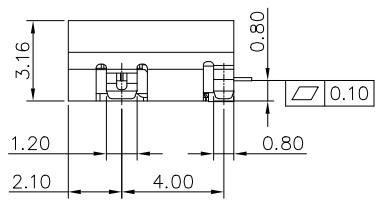
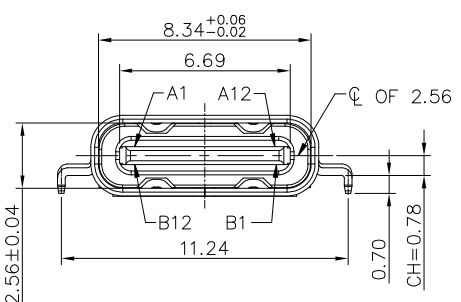
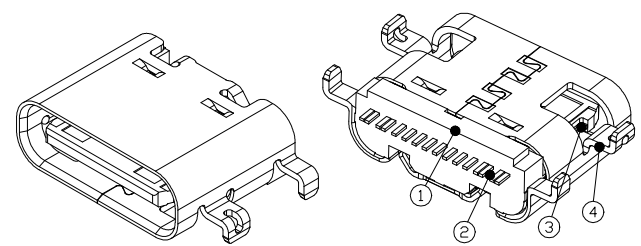
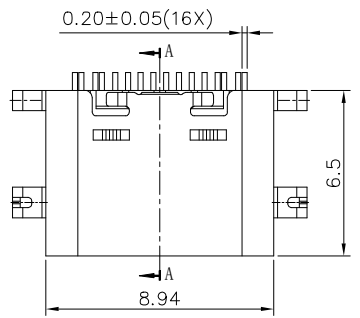


NOTE:

- 1.MATERIAL SPECIFICATION:
 - 1.HOUSING: HIGH TEMPERATURE RESISTANT PLASTIC(LCP),UL94 V-0.
 - 2.CONTACTS: COPPER ALLOY, T=0.12mm
 - 3.MID PLATE: STAINLESS STEEL, T=0.20mm
 - 4.SHELL: STAINLESS STEEL, T=0.30mm
- 2.PLATING SPECIFICATION:
 - 2-1.CONTACTS:
 - Ni 50u" MIN. UNDER PLATED OVER ALL.
 - Au PLATED ON THE FUNCTIONAL AREA OF CONTACT.
 - (GOLD PLATING THICKNESS FOLLOW THE P/N)
 - PLATING SPECIFICATIONS OF THE SOLDER AREA FOLLOW THE P/N
 - 2-2.FRONT SHELL&OUTER SHELL:
 - Ni 30u" MIN. UNDER PLATED OVER ALL.
 - 2-3.MID PLATE:
 - Ni 30u" MIN. UNDER PLATED OVER ALL.
 - Sn 80u"MIN. PLATED OVER ALL
- 3.MECHANICAL PERFORMANCE,
 - 3-1.INSERTION FORCE: 0.5~2.0kgf.
 - 3-2.EXTRACTION FORCE: 0.8kgf~2.0kgf.
 - 3-3.DURABILITY: 10000 CYCLES.
- 4.ELECTRICAL PERFORMANCE,
 - 4-1. CURRENT RATING: 5.0A
 - VOLTAGE RATING: 5.0V
 - 4-2. LLCR:
 - VBUS & GND PINS AND OTHER PINS: 40mΩ/PIN MAX.
 - SHIELD: 50mΩ/MAX.
 - LLCR MAX. CHANGE OF ALL PINS: 10mΩ
 - 4-3.INSULATION RESISTANCE: 100MΩ MIN
 - 4-4.DIELECTRIC WITHSTAND VOLTAGE,AC 100V FOR 1 MINUTE.
- 5. ENVIRONMENTAL PERFORMANCE:
 - OPERATING TEMPERATURE: -25~C~+85~C.
- 6. IR REFLOW:
 - THE PEAK TEMPERATURE ON THE BOARD SHALL BE MAINTAINED FOR 10 SECONDS AT 260°C.
- 7. PRODUCT SPECIFICATION: GS-12-1588.



10155679-000 X X LF

PACKAGING
1. TAPE AND REEL

CONTACT PLATING
1. GOLD FLASH
2. 30u" Au
3. 15u" Au

USB TYPE-C PIN ASSIGNMENTS

PIN NUMBER	SIGNAL NAME	PIN NUMBER	SIGNAL NAME
A1	GND	B12	GND
A4	VBUS	B9	VBUS
A5	CC1	B8	SBU2
A6	Dp1	B7	Dn2
A7	Dn1	B6	Dp2
A8	SBU1	B5	CC2
A9	VBUS	B4	VBUS
A12	GND	B1	GND

mat'l. code	surface	tolerance	projection	product family
	ISO 1302	ISO 406 ISO	110°	HPL 511
ltr	ecn no	dr	date	title
B	ELX-N-36945	YY	2020/05/08	USB Type C Female SINK TYPE 16PIN
				dwg no
				sheet 1 of 1
				size
				10155679
				A3
				type
				Product Customer Drawing

tolerances unless otherwise specified	mm	scale 1:1
angles	linear	
0±2°	.0±.35	
	.00±.25	
	.000±.15	
dr	Yuan-Yuan Bao	2020/05/08
eng	Yuan-Yuan Bao	2020/05/08
chr	Li-Qing Lei	2020/05/08
appd	Tim Yao	2020/05/08

© 2016 AFCI