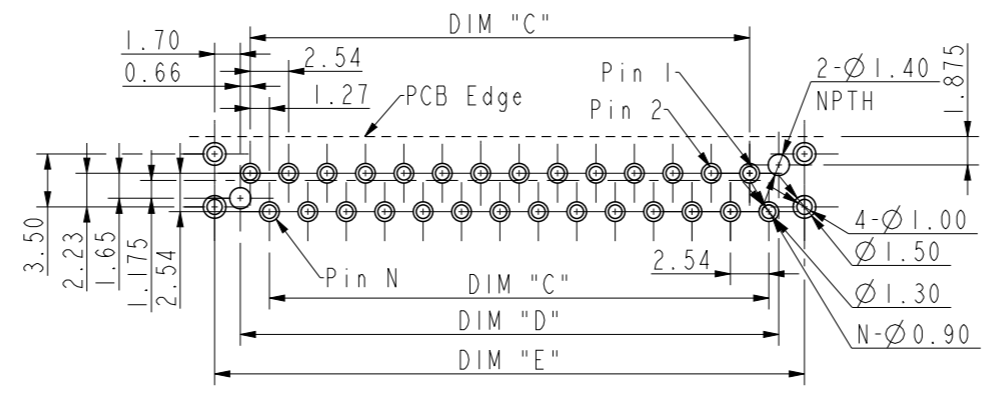
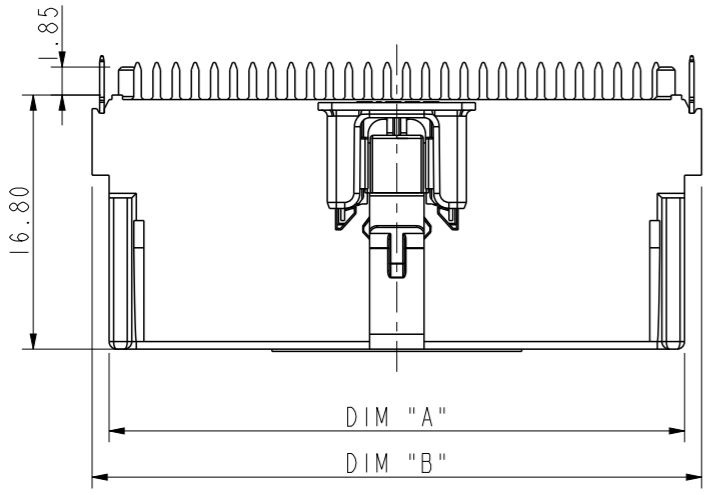


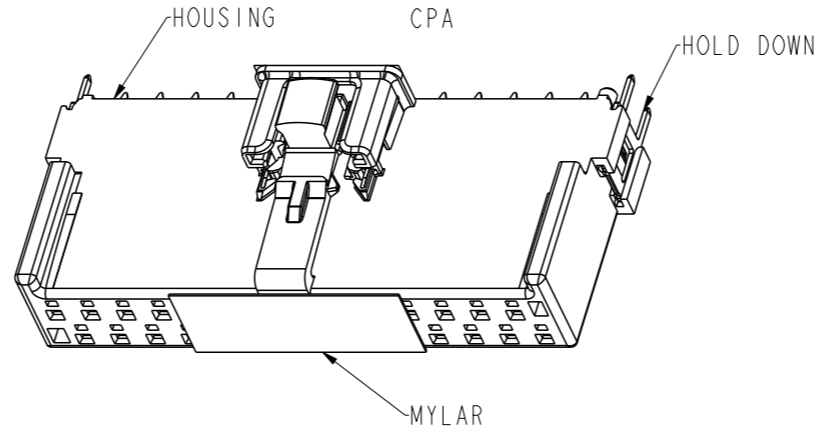
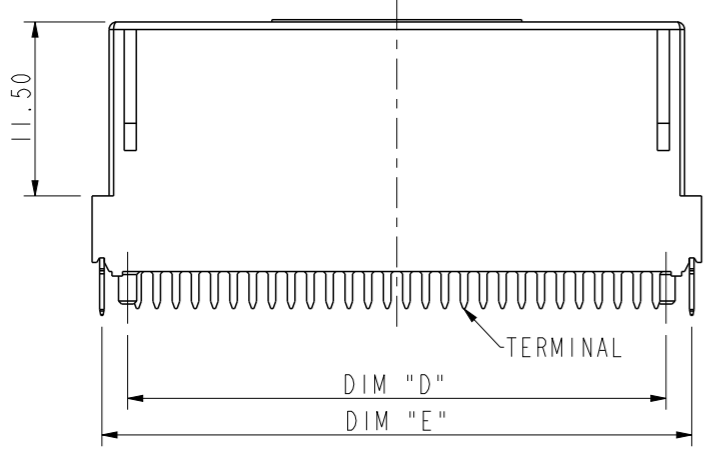
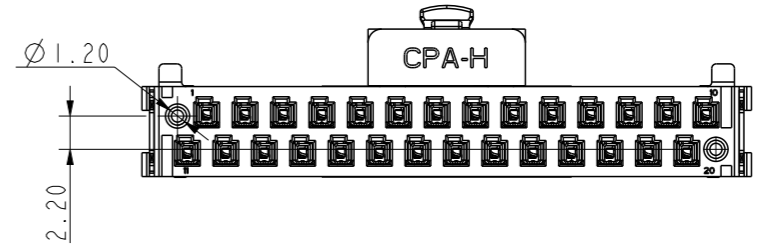
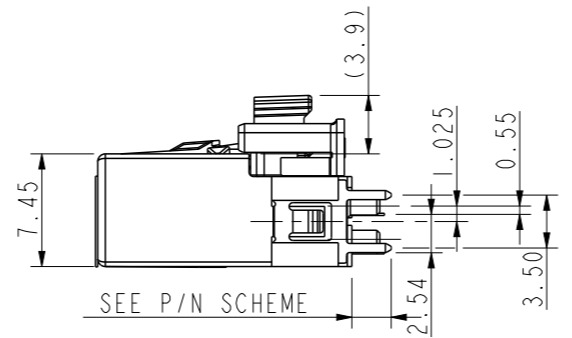
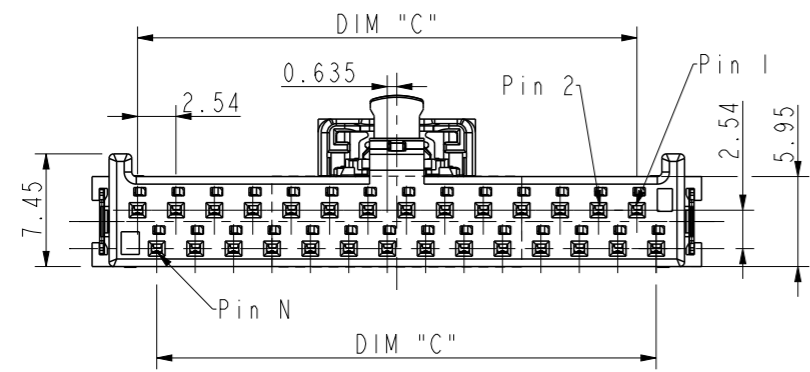
PIN NUMBER	DIM "A"	DIM "B"	DIM "C"	DIM "D"	DIM "E"
30 Pin	40.59	42.84	35.56	38.14	41.54
28 Pin	38.05	40.3	33.02	35.6	39
~	~	~	~	~	~
12 Pin	17.73	19.98	12.7	15.28	18.68
10 Pin	15.19	17.44	10.16	12.74	16.14



LAYOUT RECOMMENDED
TOLERANCE: ±0.05

Part number scheme
10161735-XXXXXXLF

- CONNECTOR STYLE
V: VERTICAL
- PIN NUMBER
30- 30 PIN
28- 28 PIN
...
10- 10 PIN
- CONTACT AREA PLATING
1. 8u" GXT OR GOLD
2. 80u" TIN
- LEAD FREE
- CPA OPTIONAL
0: WITHOUT
1: WITH
- TAIL STYLE OPTION
0: THROUGH HOLE
TERMINALS TAIL LENGTH: 1.2
HOLD DOWN TAIL LENGTH: 1.85
1: THROUGH HOLE,
TERMINALS TAIL LENGTH: 2.15
HOLD DOWN TAIL LENGTH: 2.60
- REGISTRATION MYLAR
0: WITHOUT
1: WITH



- NOTES:
- MATERIAL:
1.1 HOUSING AND CPA: THERMOPLASTIC
1.2 TERMINAL AND HOLD DOWN: COPPER ALLOY
 - PLATING: 1-3µm NI UNDER PLATING;
2.1 CONTACT AREA: ACCORDING TO PART NUMBER;
2.2 SOLDER TAIL: TIN PLATING.
 - PRODUCT SPEC GX-12-XXXX
 - THIS HOUSING WILL WITHSTAND EXPOSURE TO 260°C PEAK TEMPERATURE FOR 20 SECONDS IN A IR REFLOW SOLDERING APPLICATION.
 - THIS PRODUCT MEETS EUROPEAN UNION DIRECTIVES AND OTHER COUNTRY REGULATIONS AS DESCRIBED IN GS-47-0004.
 - VT 10161735 CAN MATE WITH RA 10158557 OR VT 10161734

spec ref	dr	Li-Qing Lei	2021/06/28	projection	mm	size	A3	scale	2:1
tolerance std	eng	Li-Qing Lei	2021/07/02			ecn no	-	rel level	Released
TOLERANCES UNLESS OTHERWISE SPECIFIED			chr						
surface	linear	0.X	±0.5		RECEPTACLE VT FlexLock 2.54mm Pitch Connector	dwg no	10161735C	sheet 1 of 1	rev
		0.XX	±0.25						
		0.XXX	±0.10						
	angular	0°	±2°	cat. no.	Product - Customer Drw				A