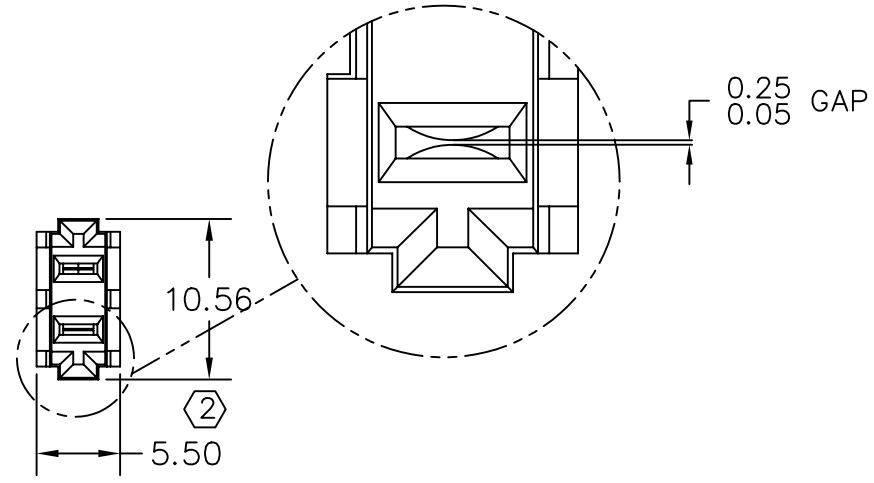
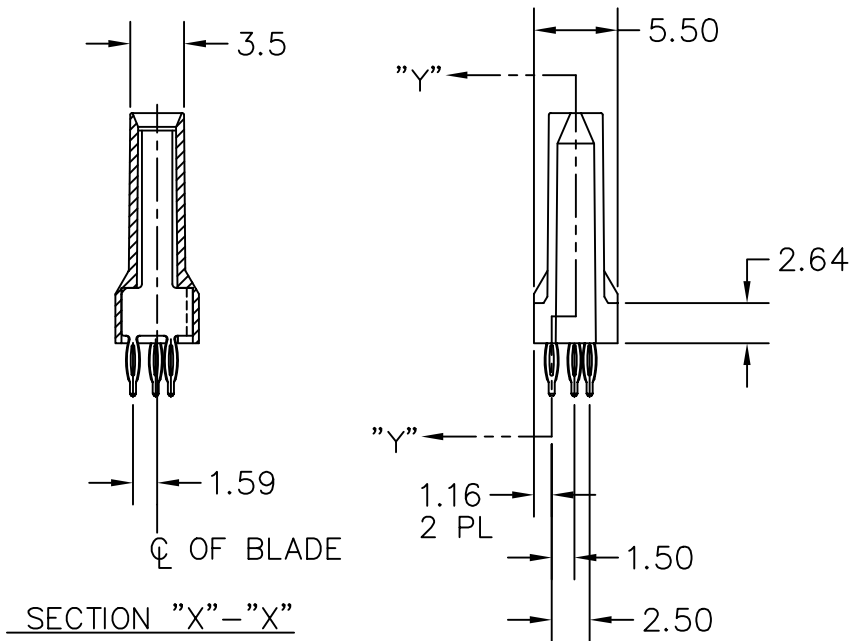


TABLE 1

PART NUMBER	INSULATOR NUMBER	CONTACT NUMBER	COLOR	PLATING DESCRIPTION
437-5050-000	437-0025-060	265-0000-735	BLACK	Ni SULFAMATE, STANDARD GOLD, LEADED
437-5030-000	437-0025-070	265-0000-732	GREY	Ni SULFAMATE, HIGH GOLD, LEADED
437-6050-000	437-0025-060	265-0000-769	BLACK	Ni SULFAMATE, STANDARD GOLD, LEAD-FREE
437-6030-000	437-0025-070	265-0000-768	GREY	Ni SULFAMATE, HIGH GOLD, LEAD-FREE
437-5750-000	437-0025-060	265-0000-804	BLACK	NANO Ni, STANDARD GOLD, LEADED
437-5730-000	437-0025-070	265-0000-803	GREY	NANO Ni, HIGH GOLD, LEADED
437-6750-000	437-0025-060	265-0000-806	BLACK	NANO Ni, STANDARD GOLD, LEAD-FREE
437-6730-000	437-0025-070	265-0000-805	GREY	NANO Ni, HIGH GOLD, LEAD-FREE

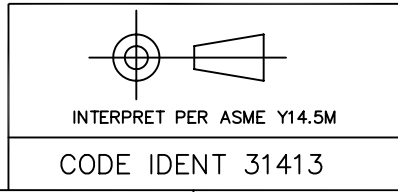
REV	SCR	DESCRIPTION	BY	DATE	APPROVED
-	36845	NEW RELEASE TO PRODUCTION	.SG	10/18/01	LI
A	37418	ADD VHDM-HSD 6 CONFIG & TABLE 2	SG	12/21/01	LI
B	37657	CORRECTED VHDM-HSD 6 HOLE PATTERN	SG	2/01/02	LI
C	39045	UPDATED PART REV	SG	6/26/02	LI
D	39370	ADDED "VHDM" TO ALL TITLES	SG	8/01/02	YEH
E	40273	CORRECTED TABLE 2 (a, b, & c)	SG	10/23/02	LI
F	41391	CORRECTED SECTION Y-Y SHEET 3	M.L.	03/14/03	W.LI
G	MFID-69NK78.VER01	MODIFIED GAP TOLERANCE	SG	2/18/05	K.LELBANC
H	DMAG-6BNMRJ.VER01	ADDED LEAD FREE PLATING OPTION	SG	4/21/*05	S.BAIR
J	KLEC-6G8J5C.VER01	ADDED "PLATING TYPE" COLUMN IN TABLE 1	HCL	9/20/05	KEN LEBLANC
K	CSAS-7P7SJR.VER01	PLACED DRAWING ON ATCS TEMPLATE	HCL-RB	2/24/09	U.MAYORAL
L	MHAN-7VQRRJ.VER01	ADDED SHEET 5 FOR eHSD FOOTPRINT	HCL-GM	09/30/09	U.MAYORAL
M	CSAS-82CUAG.VER01	ADDED NEW PART NUMBERS IN TABLE 1 FOR NEW PLATING CODES.	HCL-MH	2/07/2010	C.SAMMIS



3. PART MARKING AS FOLLOWS:
 LINE 1: DATE CODE (YYWW)
 LINE 2-3: WORK ORDER NUMBER (*#####),
 WHERE (*) DENOTES MAFUCATURING LOCATION
 (2) KEEP OUT ZONE FOR SURFACE TRACES
 NOTES: (1) FOR EACH ADDITIONAL POWER MODULE ADD 6.00mm.

TOLERANCES		DWN 12/5/96 D.Provencher
0.0	± 0.25	CHK 12/5/96 M.FORTIER
0.00	± 0.13	APVD 12/5/96 C.MURPHY
0.000	± -	
ANGLES ± 2°		

Amphenol TCS
 A Division of Amphenol Corporation
 200 Innovative Way, suite 201, Nashua, N.H. 03062 (603) 879-3000



CUSTOMER USE
 DRAWING

PART NO. SEE TABLE 1	REV N/A
DRAWING NO. C-437-5050-500	REV M
SIZE B	SCALE 2/1
SHEET 1 OF 5	

DWG NO. C-437-5050-500 SH 1 REV M

8

7

6

5

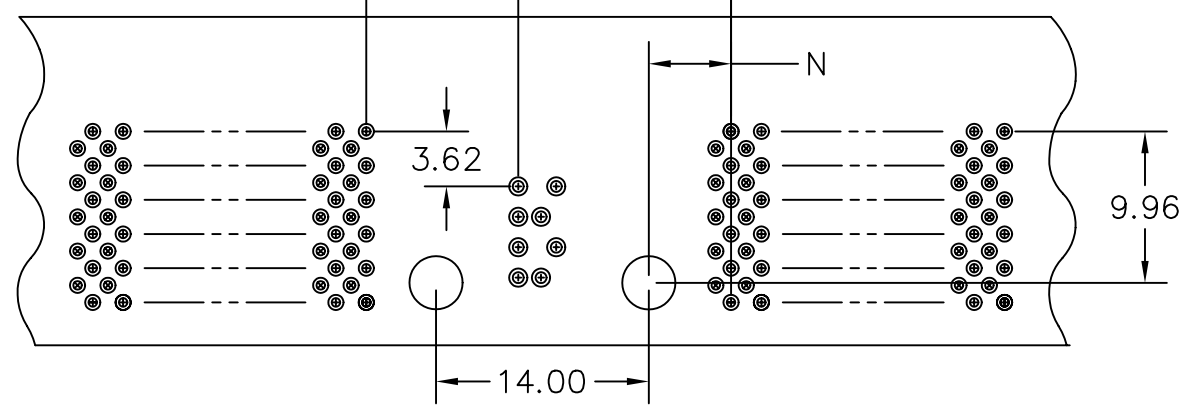
4

3

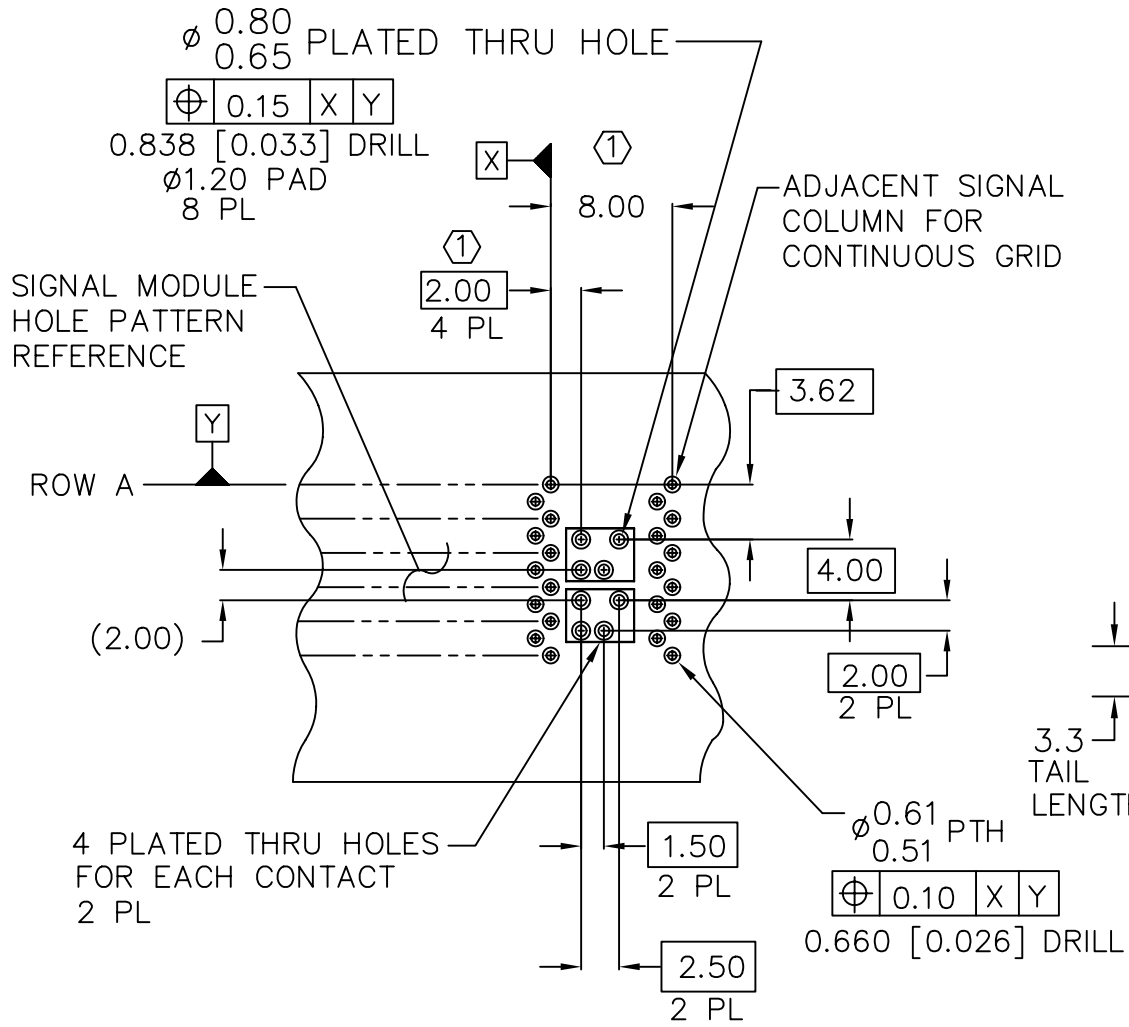
DWG NO.	C-437-5050-500	SH	2	REV	M
---------	----------------	----	---	-----	---

REV	SCR	DESCRIPTION	BY	DATE	APPROVED
		SEE SHEET 1			

6 ROW VHDM CONFIGURATION

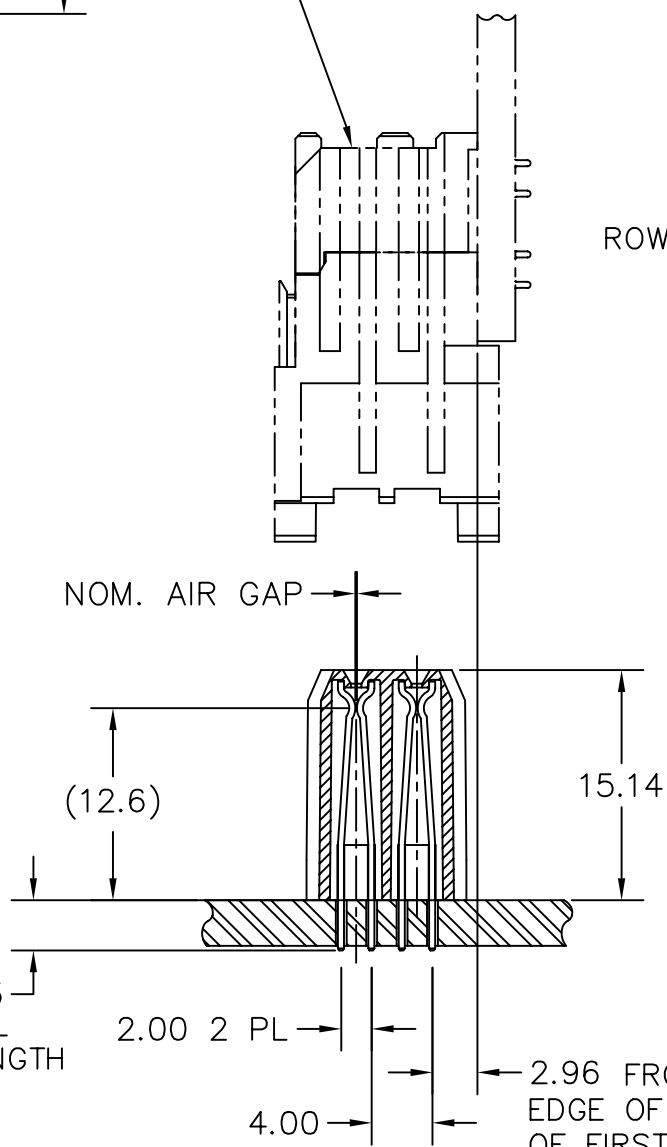


BACKPLANE HOLE PATTERN (SEE TABLE 2a)
POWER MODULE BETWEEN FREE STANDING GUIDE MODULES
6 ROW CONFIGURATION



BACKPLANE HOLE PATTERN
POWER MODULE BETWEEN SIGNALS
6 ROW CONFIGURATION

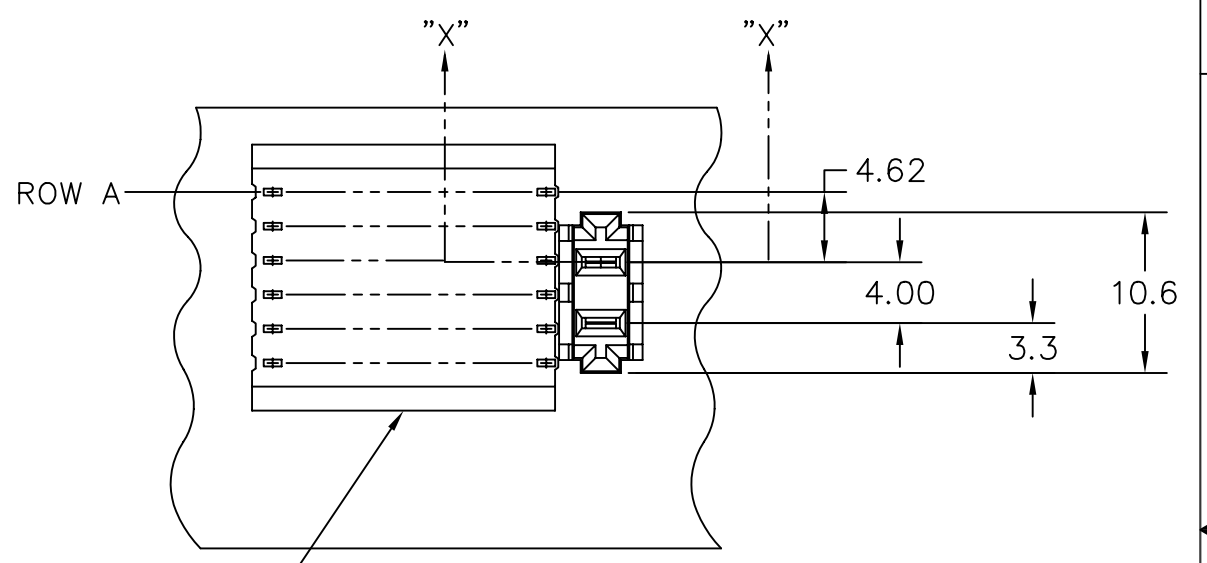
6 ROW DAUGHTERCARD POWER CONNECTOR REFERENCE



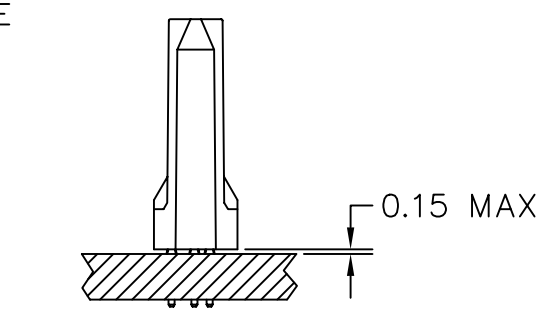
SECTION "Y"- "Y"

TABLE 2a

DESCRIPTION	PART NUMBER	L	M	N
FREE STANDING GUIDE PIN	564-0383-553	24	14	5.41
ESD GROUNDED GUIDE PIN	564-0481-553	28	16	6.41



6 ROW SIGNAL MODULE REFERENCE



BACKPLANE ASSEMBLY

TOLERANCES	DWN 12/5/96 D.Provencher
0.0 ± 0.25	CHK 12/5/96 M.FORTIER
0.00 ± 0.13	APVD 12/5/96 C.MURPHY
0.000 ± -	
ANGLES ± 2°	

UNLESS OTHERWISE SPECIFIED
DIMENSIONS ARE IN MILLIMETERS

Amphenol TCS
A Division of Amphenol Corporation
200 Innovative Way, suite 201, Nashua, N.H. 03062 (603) 879-3000

TITLE VHDM 5 & 6 ROW
BACKPLANE
POWER MODULE

PART NO. SEE TABLE 1 REV N/A

DRAWING NO. C-437-5050-500 REV M

SIZE B SCALE 2/1 SHEET 2 OF 5

INTERPRET PER ASME Y14.5M
 CODE IDENT 31413

CUSTOMER USE
DRAWING

D

C

B

A

D

C

B

A

DWG NO. C-437-5050-500 SH 2 REV M

8

7

6

5

4

3

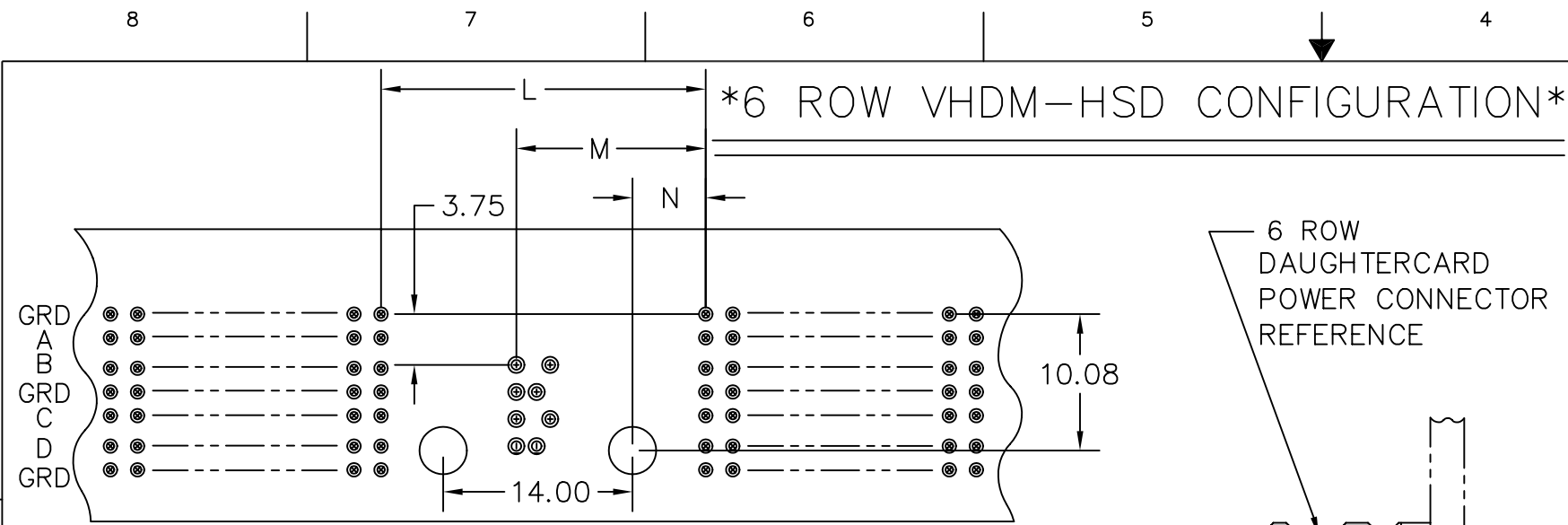
2

1

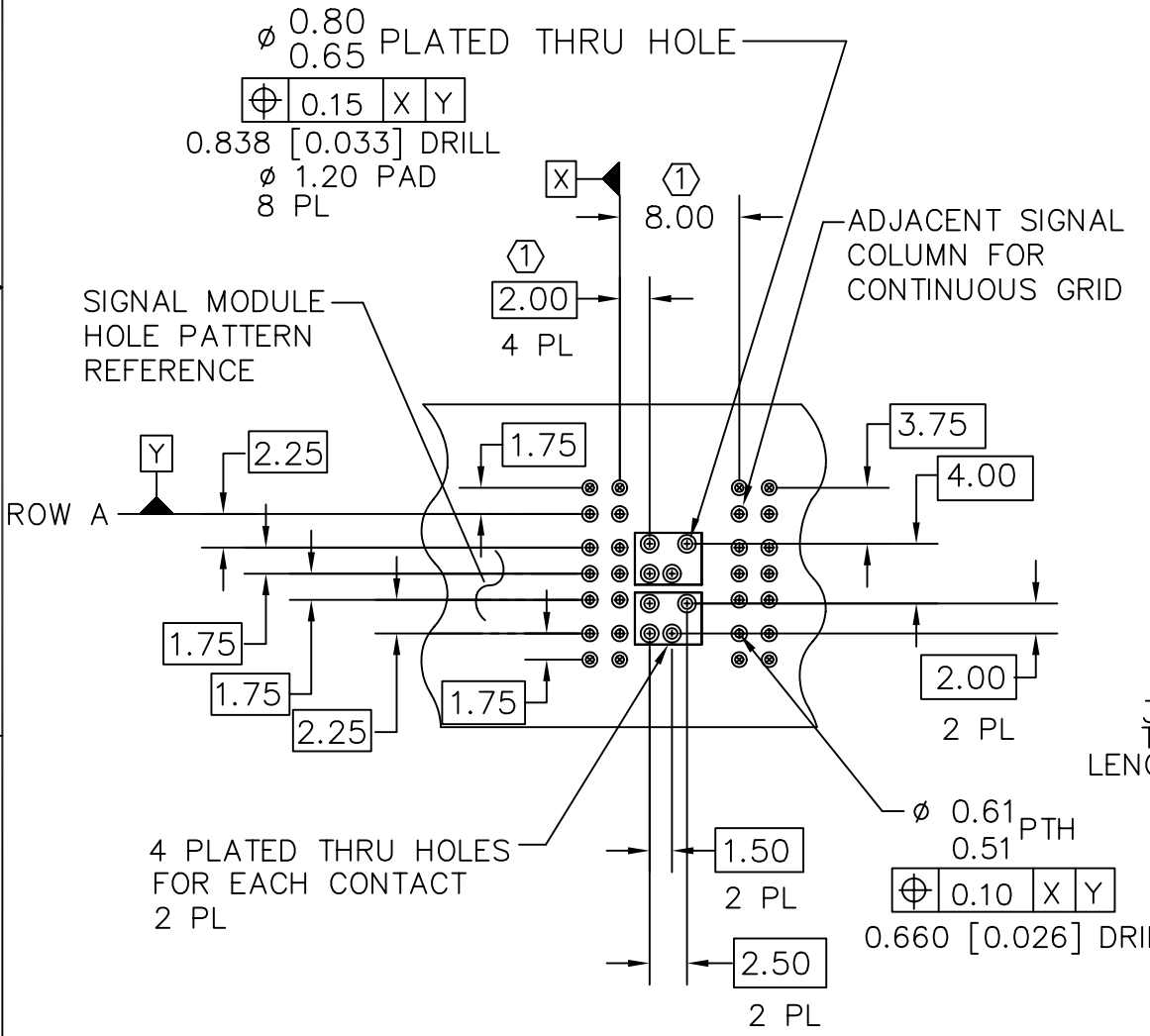
REV	SCR	DESCRIPTION	BY	DATE	APPROVED
		SEE SHEET 1			

TABLE 2b

DESCRIPTION	PART NUMBER	L	M	N
FREE STANDING GUIDE PIN	564-0383-553	24	14	5.41
ESD GROUNDED GUIDE PIN	564-0481-553	28	16	6.41

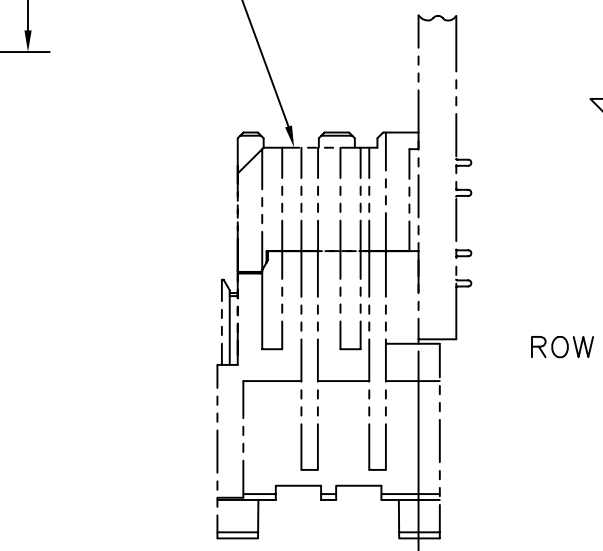


BACKPLANE HOLE PATTERN (SEE TABLE 2b)
POWER MODULE BETWEEN FREE STANDING GUIDE MODULES
6 ROW VHDM-HSD CONFIGURATION

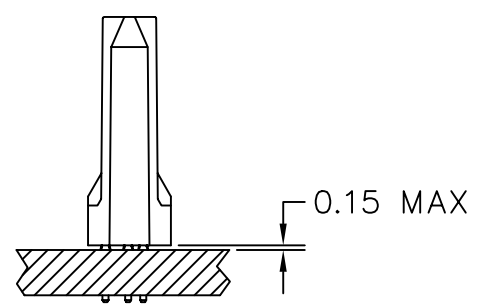
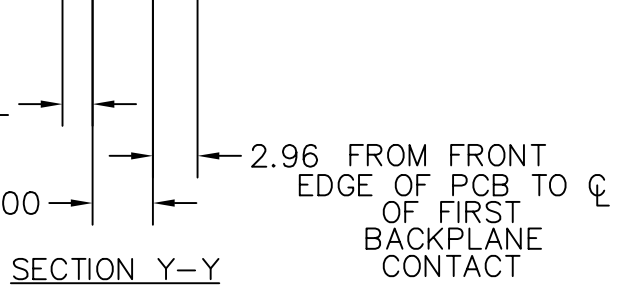
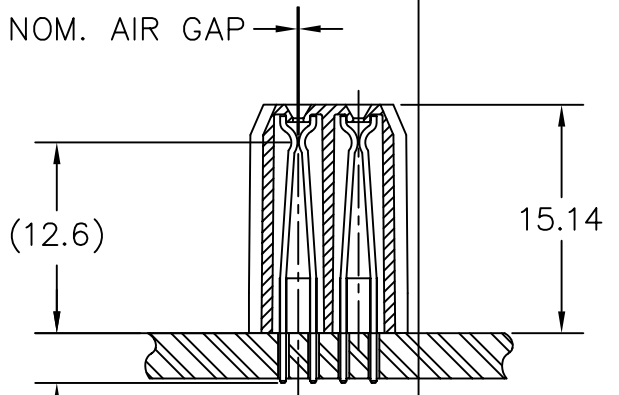
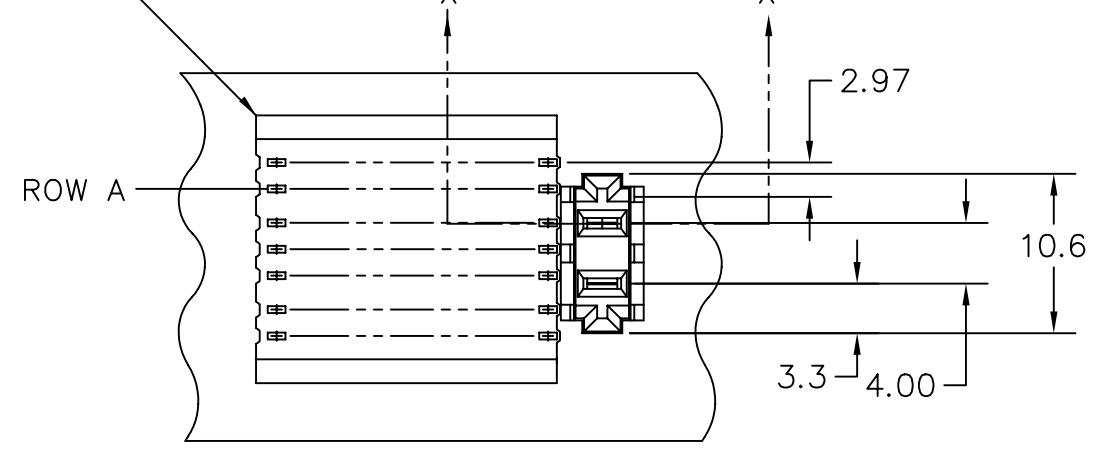


BACKPLANE HOLE PATTERN
POWER MODULE BETWEEN SIGNALS
6 ROW VHDM-HSD CONFIGURATION

6 ROW DAUGHTERCARD POWER CONNECTOR REFERENCE



6 ROW VHDM-HSD SIGNAL MODULE REFERENCE



BACKPLANE ASSEMBLY

TOLERANCES	DWN 12/5/96
0.0 ± 0.25	D.Provencher
0.00 ± 0.13	CHK 12/5/96
0.000 ± -	M.FORTIER
ANGLES ± 2°	APVD 12/5/96
	C.MURPHY

Amphenol TCS
A Division of Amphenol Corporation
200 Innovative Way, suite 201, Nashua, N.H. 03062 (603) 879-3000

TITLE VHDM 5 & 6 ROW BACKPLANE POWER MODULE

PART NO. SEE TABLE 1 REV N/A

DRAWING NO. C-437-5050-500 REV M

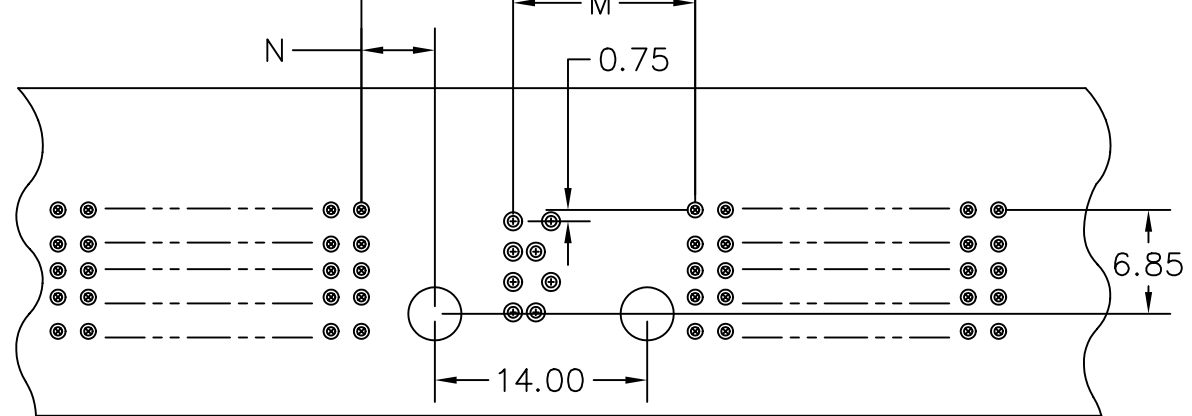
SIZE B SCALE 2/1 SHEET 3 OF 5

INTERPRET PER ASME Y14.5M
CUSTOMER USE DRAWING
CODE IDENT 31413

DWG NO. C-437-5050-500 SH 3 REV M

REV	SCR	DESCRIPTION	BY	DATE	APPROVED
		SEE SHEET 1			

5 ROW VHDM-HSD CONFIGURATION

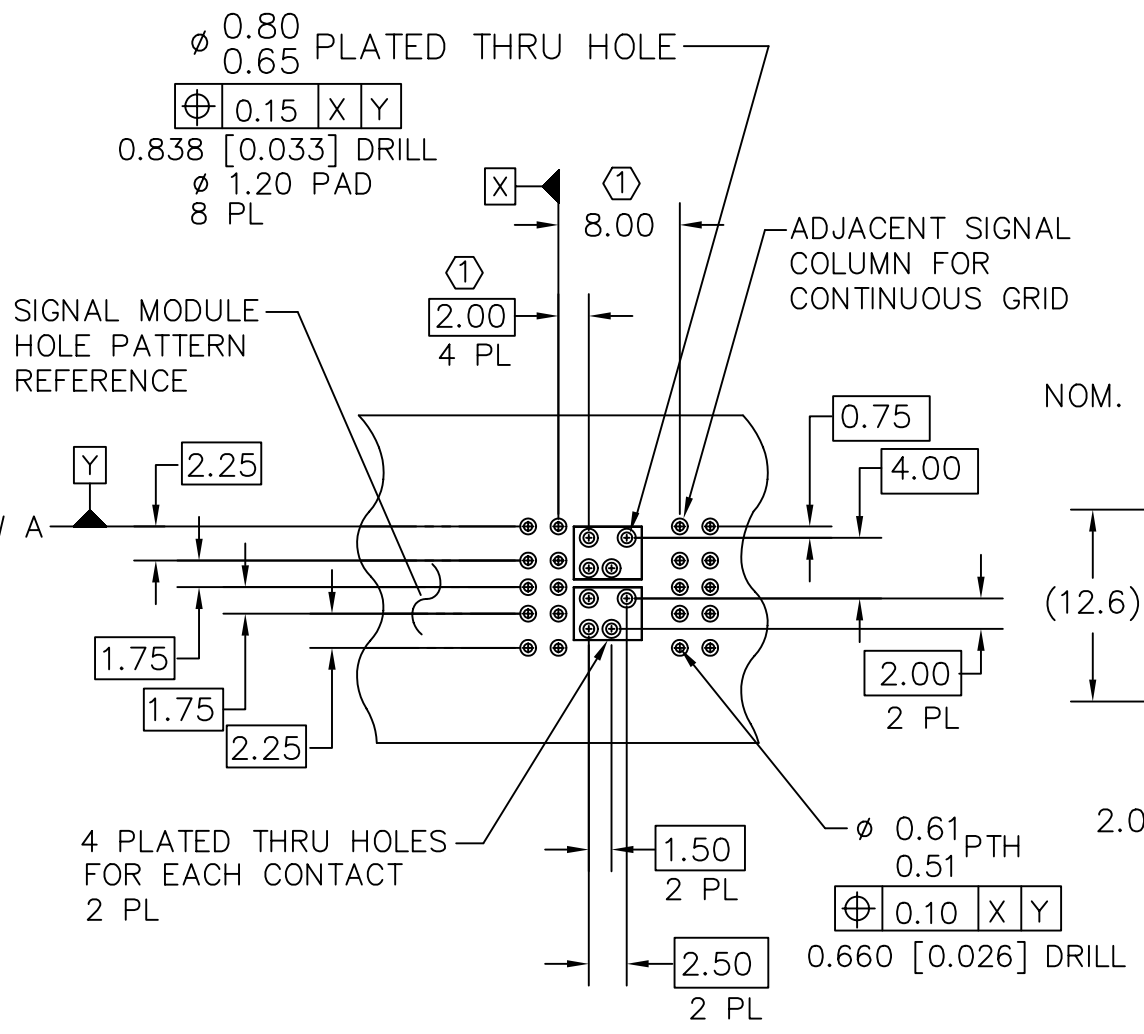
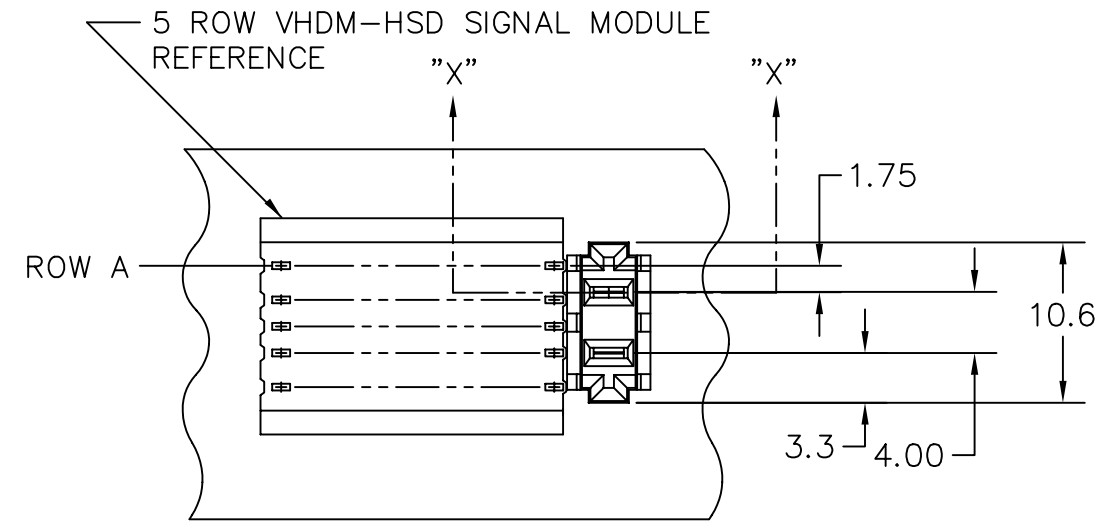
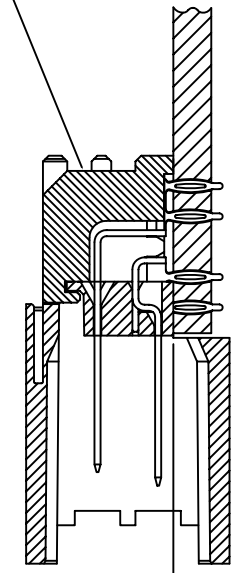


BACKPLANE HOLE PATTERN (SEE TABLE 2c)
POWER MODULE BETWEEN FREE STANDING GUIDE MODULES
5 ROW VHDM-HSD CONFIGURATION

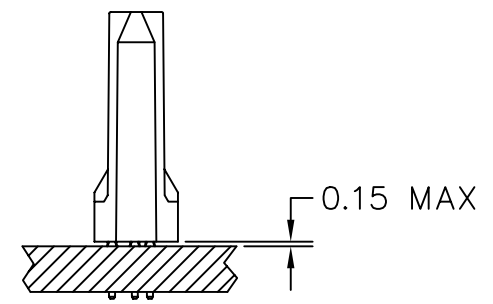
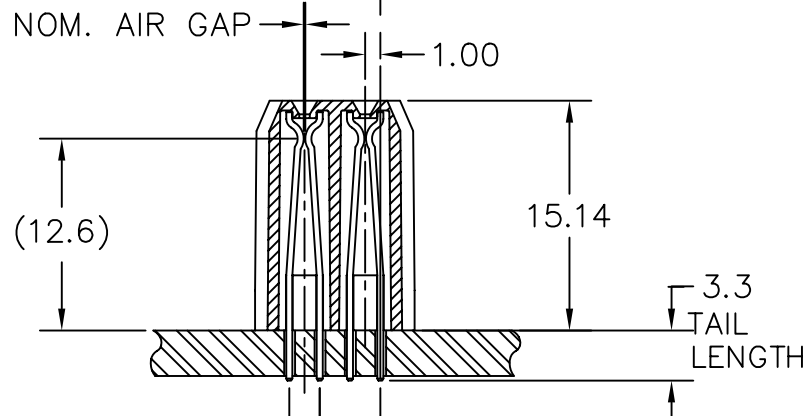
TABLE 2c

DESCRIPTION	PART NUMBER	L	M	N
FREE STANDING GUIDE PIN	564-0383-553	24	14	4.84
ESD GROUNDED GUIDE PIN	564-0481-553	32	18	6.60

5 ROW VHDM-HSD DAUGHTERCARD POWER CONNECTOR REFERENCE



BACKPLANE HOLE PATTERN
POWER MODULE BETWEEN SIGNALS
5 ROW VHDM-HSD CONFIGURATION



BACKPLANE ASSEMBLY

TOLERANCES	DWN	CHK	APVD
0.0 ± 0.25	12/5/96	D.Provencher	12/5/96
0.00 ± 0.13		M.FORTIER	
0.000 ± -		C.MURPHY	12/5/96

Amphenol TCS
A Division of Amphenol Corporation
200 Innovative Way, suite 201, Nashua, N.H. 03062 (603) 879-3000

TITLE: VHDM 5 & 6 ROW BACKPLANE POWER MODULE

INTERPRET PER ASME Y14.5M

CODE IDENT 31413

CUSTOMER USE DRAWING

PART NO.	SEE TABLE 1	REV	N/A
DRAWING NO.	C-437-5050-500	REV	M
SIZE	B	SCALE	2/1
		SHEET	4 OF 5

DWG NO. C-437-5050-500 SH 4 REV M

REV	SCR	DESCRIPTION	BY	DATE	APPROVED
		SEE SHEET 1			

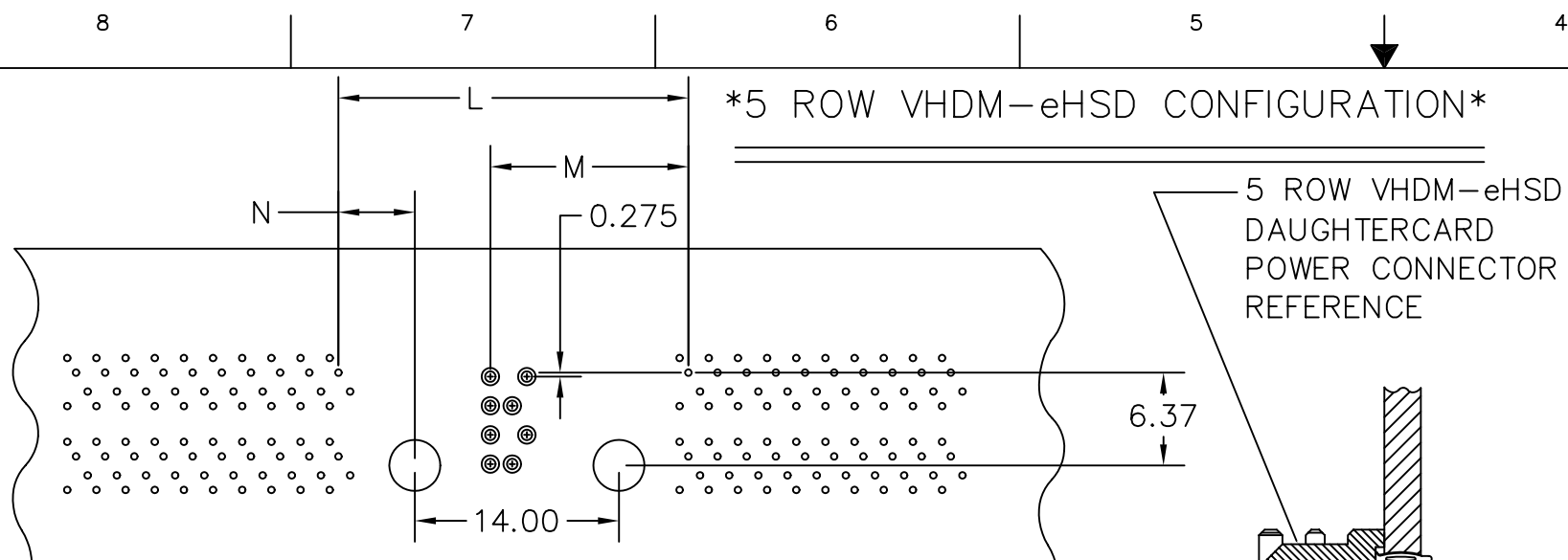
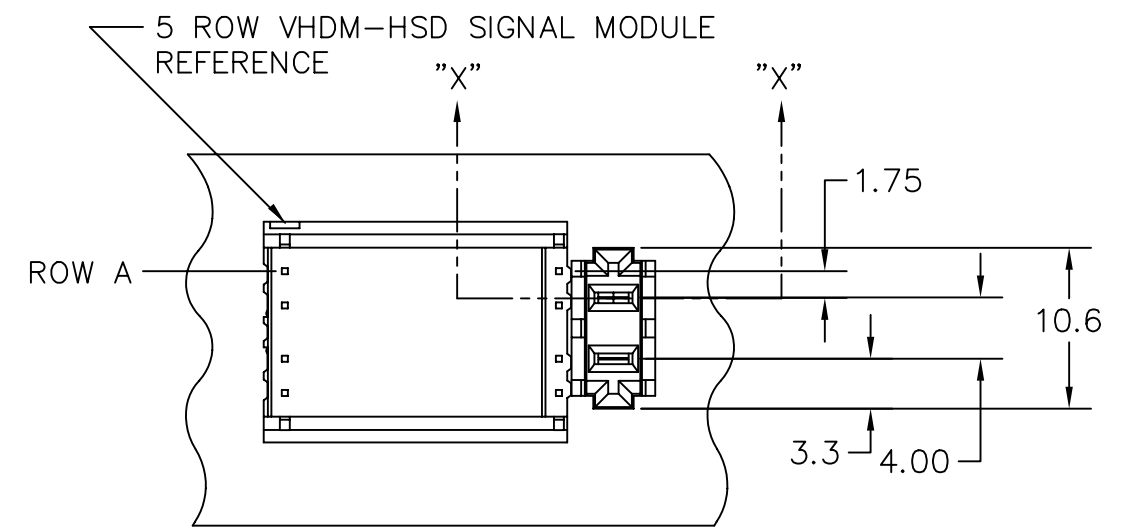


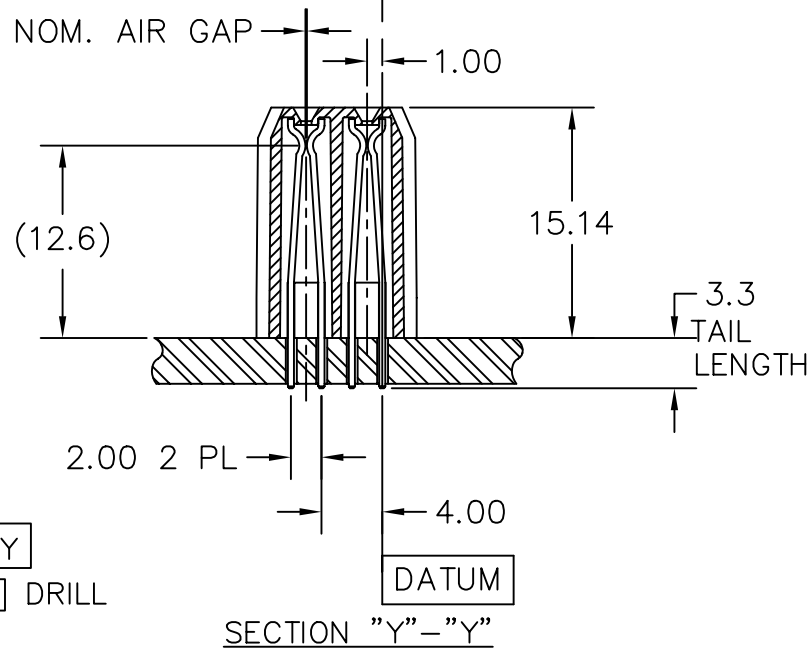
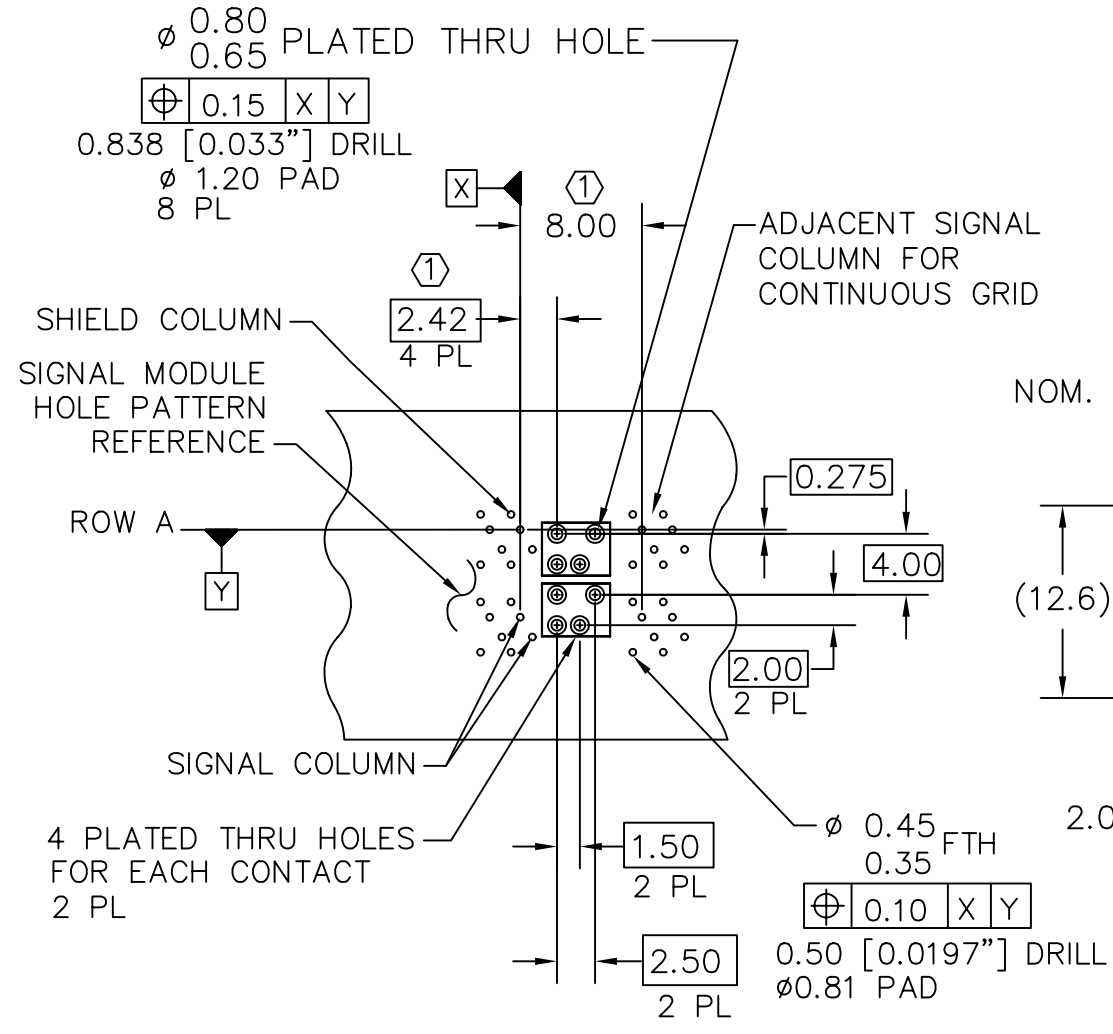
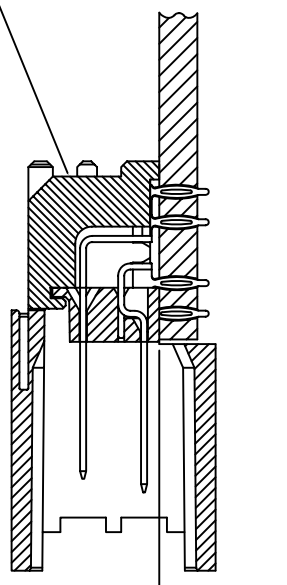
TABLE 2d

DESCRIPTION	PART NUMBER	L	M	N
FREE STANDING GUIDE PIN	564-0383-553	24	13.58	5.24

5 ROW VHDM-eHSD DAUGHTERCARD POWER CONNECTOR REFERENCE



BACKPLANE HOLE PATTERN (SEE TABLE 2d)
POWER MODULE BETWEEN FREE STANDING GUIDE MODULES
5 ROW VHDM-eHSD CONFIGURATION



BACKPLANE ASSEMBLY

TOLERANCES	DWN	CHK	APVD
0.0 ± 0.25	DWN 12/5/96	D.Provencher	
0.00 ± 0.13		CHK 12/5/96	M.FORTIER
0.000 ± -		APVD 12/5/96	C.MURPHY
ANGLES ± 2°			

UNLESS OTHERWISE SPECIFIED DIMENSIONS ARE IN MILLIMETERS

Amphenol TCS
A Division of Amphenol Corporation
200 Innovative Way, suite 201, Nashua, N.H. 03062 (603) 879-3000

TITLE VHDM 5 & 6 ROW BACKPLANE POWER MODULE

INTERPRET PER ASME Y14.5M
CODE IDENT 31413

CUSTOMER USE DRAWING

PART NO.	SEE TABLE 1	REV	N/A
DRAWING NO.	C-437-5050-500	REV	M
SIZE	B	SCALE	2/1
		SHEET	5 OF 5

DWG NO. C-437-5050-500 SH 5 REV M