

4

3

DRW NO.	SH	REV
C-444-5010-500	1	D

BACKPLANE MODULE ASSEMBLY PART NUMBER ASSIGNMENT

4 4 4 - X X X X - 0 X X ⑤

LOAD
2 = LEAD FREE CUSTOM
5 = STANDARD
6 = HIGH SPEED SHIELD
7 = CUSTOM
L = CUSTOM LOAD, LEADED, ADVANCED PLATING
N = CUSTOM LOAD, LEAD FREE, ADVANCED PLATING

SIGNAL CONTACT LOAD (PIN LENGTH)
1 = 4.75 ⑧
2 = 6.25
3 = 4.25 ⑧
4 = 5.15

PLATING OPTION ④
0 = OPEN
1 = 735
2 = 732
3 = 769
4 = 804
5 = 803
6 = 806
7 = 805

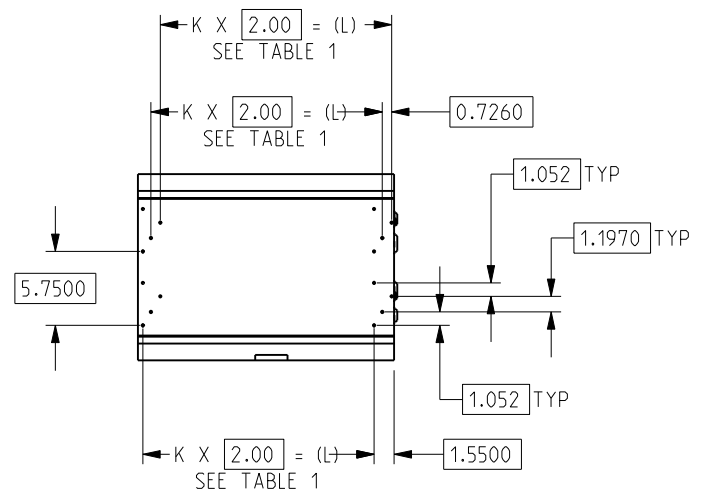
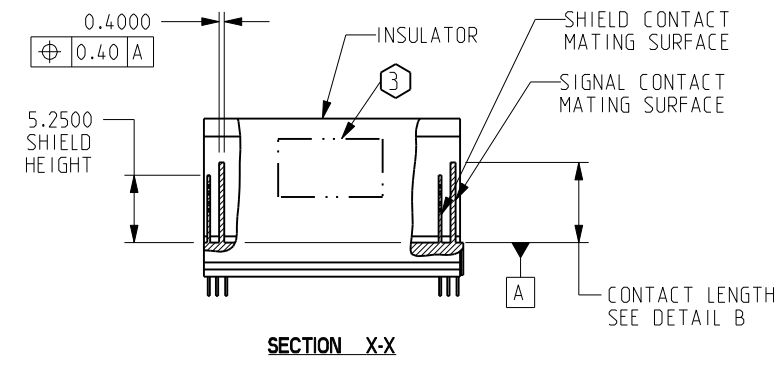
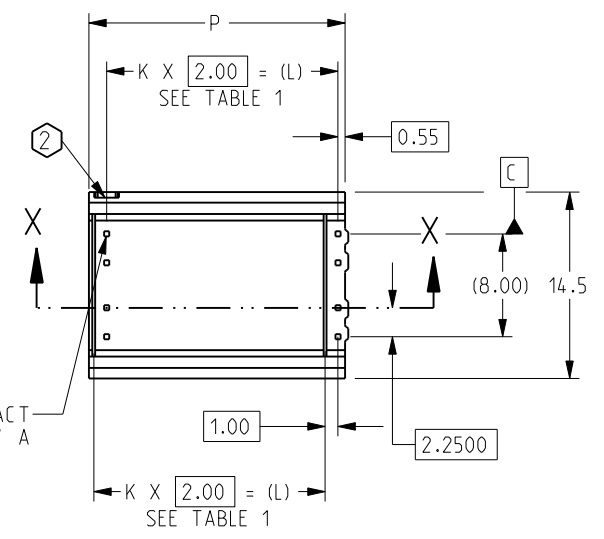
NUMBER OF COLUMNS
10 = 10 COLUMN MODULE
25 = 25 COLUMN MODULE

① 1 = LEFT POLARIZED
② 2 = RIGHT POLARIZED

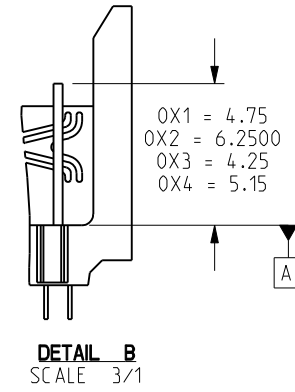
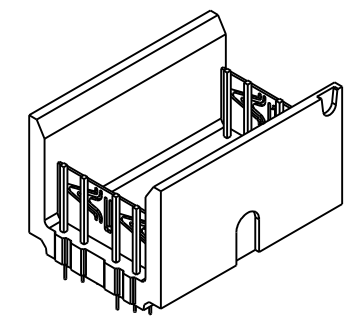
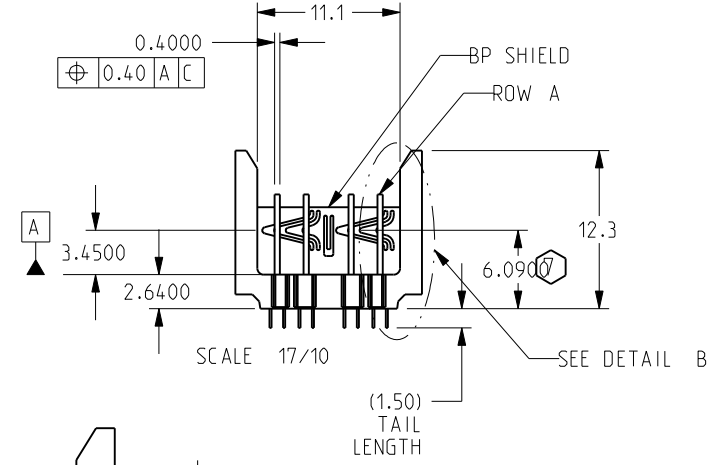
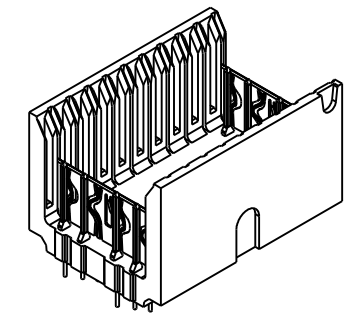
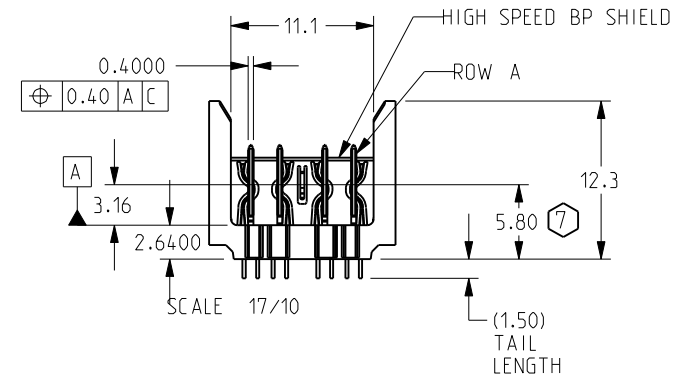
SIGNAL CONTACT POSITION 1 ROW A

ASSEMBLY PART NUMBER ④	K	(L)	P	NUMBER OF POSITION
444-5X10-0XX	9	(18.00)	19.94	10
444-5X25-0XX	24	(48.00)	49.94	25
444-6X10-0XX	9	(18.00)	19.94	10
444-6X25-0XX	24	(48.00)	49.94	25

- NOTES:
- REFER TO TB-2056 FOR eHSD PRODUCT SPECIFICATIONS.
 - NOTCH DESIGNATES "ROW A" SIDE OF SHROUD. NOTCH FEATURE ON OPPOSITE SIDE FROM PART MARKING.
 - SEE TB-2325 FOR PART MARKING REQUIREMENTS.
 - 9th DIGIT OF PART NUMBER IDENTIFY PLATING CODE.
735 - Ni SULFAMATE, STANDARD GOLD, LEADED
732 - Ni SULFAMATE, HIGH GOLD, LEADED
769 - Ni SULFAMATE, STANDARD GOLD, LEAD-FREE
768 - Ni SULFAMATE, HIGH GOLD, LEAD-FREE
804 - NANO Ni, STANDARD GOLD, LEADED
803 - NANO Ni, HIGH GOLD, LEADED
806 - NANO Ni, STANDARD GOLD, LEAD-FREE
805 - NANO Ni, HIGH GOLD, LEAD-FREE
 - IF 4TH DIGIT OF ASSEMBLY P/N IS 2 OR 7 OR L OR N, DIGITS 5 THROUGH 10 ARE NOT SIGNIFICANT.
 - USE BACKPLANE APPLICATION TOOL P/N: 694-4467-000, 694-4468-000, 694-4469-000.
 - GROUND CONTACT POINT FROM BACKPLANE SURFACE.
 - NOT TOOLED.

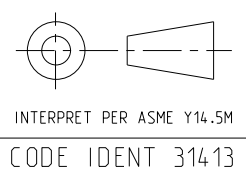


ZONE	REV	SCR NUMBER	DESCRIPTION	BY	DATE	APPROVED
	B	BWOK-88FRF7.VER01	NEW RELEASE	HCL-MR	09/14/2010	D.SMITH
	C	MREQ-8HDJP8.VER01	ADDED HIGH SPEED SHIELD PN DETAIL VIEW & ISO VIEW CHGD NOTE 1 CORRECTED WIPE LOCATION	HCL-PS	06/03/2011	M.RECEPUTO
	D	DCOY-AB7QC Y.VER01	UPDATED PART MARKING REQUIREMENTS	HCL-SD	07/05/2016	D.COVEY



TOLERANCES		DESIGN
0.0	±0.25	11/20/2009 M.RECEPUTO
0.00	±0.13	DRAWN 04/12/10 M.RECEPUTO
0.000	± -	CHK 01/11/2010 T.COHEN
ANGLES	±-3°	APVD 01/11/2010 T.COHEN

UNLESS OTHERWISE SPECIFIED DIMENSIONS ARE IN MM. DECIMAL MARKER IS A PERIOD



CUSTOMER USE
DRAWING

Amphenol TCS A Division of Amphenol Corporation 200 Innovative Way, Nashua, NH 03062 603.879.3000	
TITLE	BP MODULE ASSEMBLY eHSD5 PLUS
PART NO.	SEE PART NUMBER TREE
DRAWING NO.	C-444-5010-500
Pro/E type: Q1170-E5-BP-MODULE-25GIG	1.2
Pro/E DRAWING: C-444-5010-500	C.7
SIZE B	SCALE 2/1
SHEET 1 OF 2	

4

3

2

1

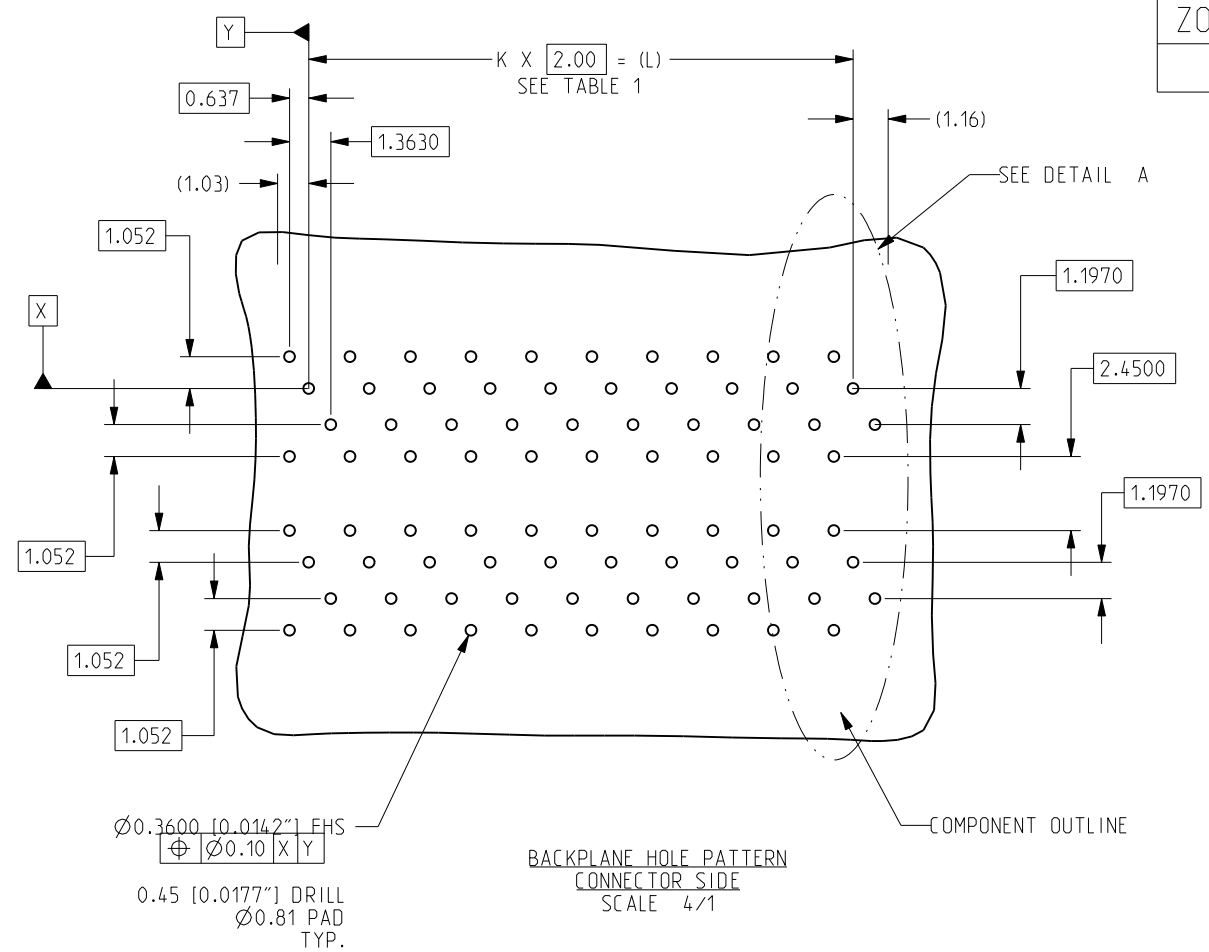
DRW NO.
C-444-5010-500

SH
1

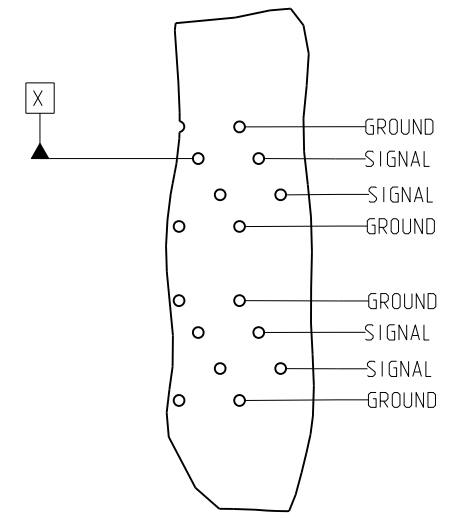
REV
D

DRW NO. C-444-5010-500 SH 2 REV D

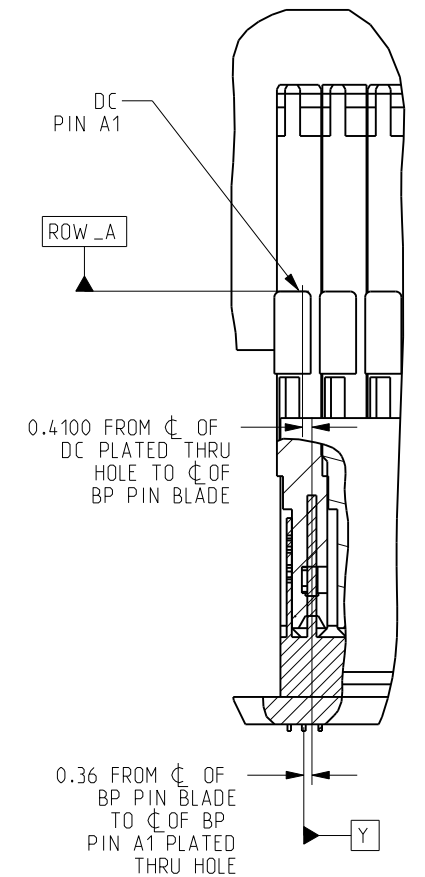
ZONE	REV	SCR NUMBER	DESCRIPTION	BY	DATE	APPROVED
			SEE SHEET 1			



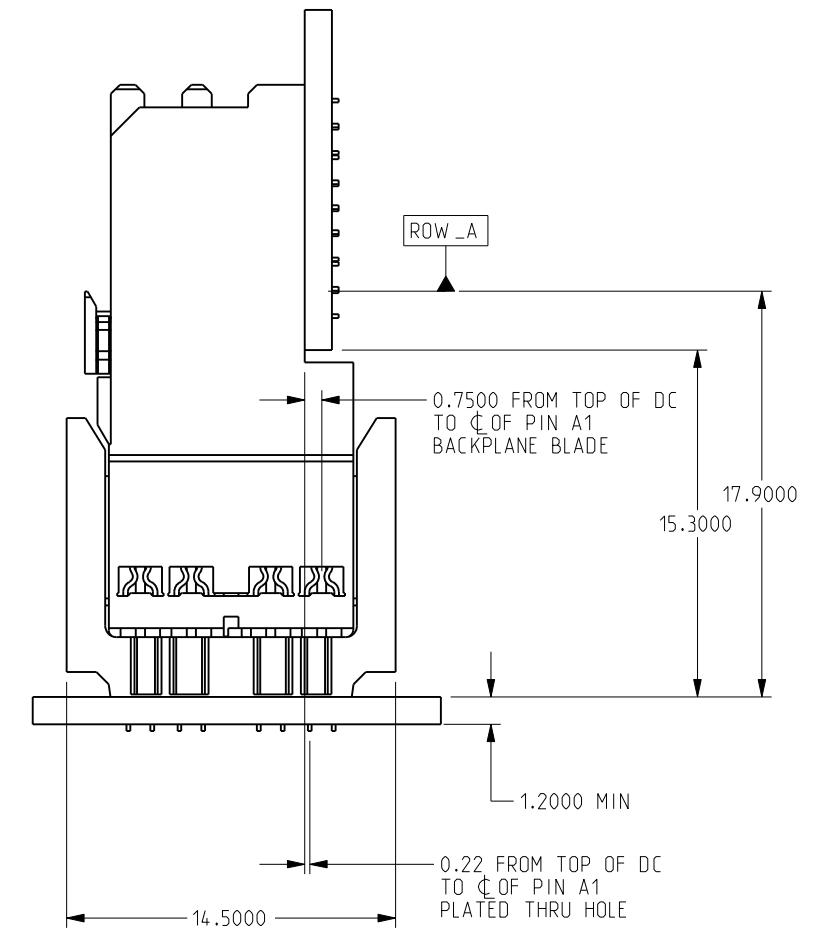
BACKPLANE HOLE PATTERN
CONNECTOR SIDE
SCALE 4/1



DETAIL A
SCALE 4/1



SECTION X-X
SCALE 3/1



TOLERANCES		DESIGN 11/20/2009 M.RECEPUTO
0.0	±0.25	DRAWN 04/12/10 M.RECEPUTO
0.00	±0.13	CHK 01/11/2010 T.COHEN
0.000	± -	APVD 01/11/2010 T.COHEN
ANGLES	± 3°	

Amphenol TCS
A Division of Amphenol Corporation
200 Innovative Way, Nashua, NH 03062 603.879.3000

TITLE BP MODULE ASSEMBLY eHSD5 PLUS		REV N/A
PART NO. SEE PART NUMBER TREE		REV D
DRAWING NO. C-444-5010-500		1.2 C.7
Pro/E type: Q1170-E5-BP-MODULE-25GIG Pro/E DRAWING: C-444-5010-500		

UNLESS OTHERWISE SPECIFIED DIMENSIONS
ARE IN MM. DECIMAL MARKER IS A PERIOD

INTERPRET PER ASME Y14.5M

CODE IDENT 31413

CUSTOMER USE
DRAWING

SIZE B SCALE 2/1 SHEET 2 OF 2

DRW NO. C-444-5010-500

SH 2
REV D