

ZONE	REV	SCR NUMBER	DESCRIPTION	BY	DATE	APPROVED
ALL	-	JGIX-75DNTZVER01	NEW RELEASE	M.DEROSA	07/23/2007	M.HANRAHAN
B3	A	MHAN-7C6JUW.VER01	CORRECTED OFFSET DIM (0.41 WAS 0.40)	HCL-GM	02/27/2008	U.MAYORAL
	B	MHAN-7QAHZA.VER01	REMOVED "NOT TOOLED" ON 25 POSITION	HCL-MH	04/02/2009	U.MAYORAL
	C	CSAS-82ZPTE.VER01	ADDED NEW PART NUMBERS FOR NEW PLATING CODES IN ASSEMBLY PART NUMBER ASSIGNMENT TREE MODIFIED NOTE 4 AND 5.	HCL-MH	02/26/2010	C.SAMMIS
	D	GGRT-8VLH99.VER01	ADD TABULATIONS FOR eHSD+ CONFIGURATIONS	HCL-MR	06/27/2012	G.GRASSET
	E	DCOY-AB7QCY.VER01	UPDATED PART MARKING REQUIREMENTS	HCL-SD	07/05/2016	D.COVEY

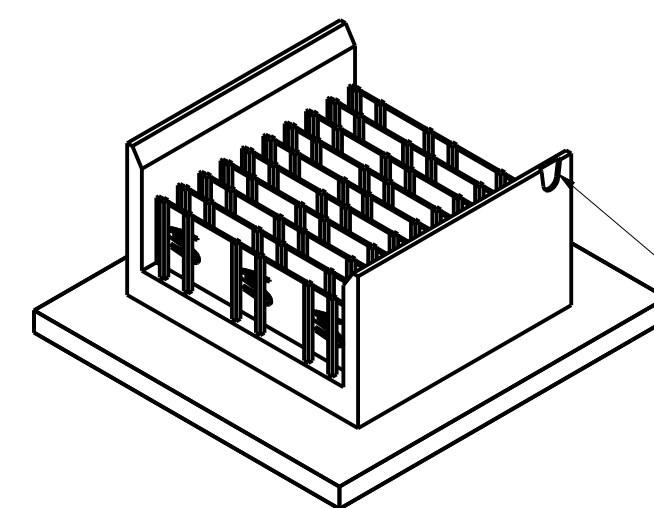
OPEN BACKPLANE MODULE
ASSEMBLY PART NUMBER ASSIGNMENT
447 - X 0 X X - 0 X X

LOAD
2 = CUSTOM LOAD. LEADFREE
5 = UNIFORM LOAD
7 = CUSTOM LOAD. LEADED
L = CUSTOM LOAD. LEADED. ADVANCED PLATING
N = CUSTOM LOAD. LEAD FREE. ADVANCED PLATING

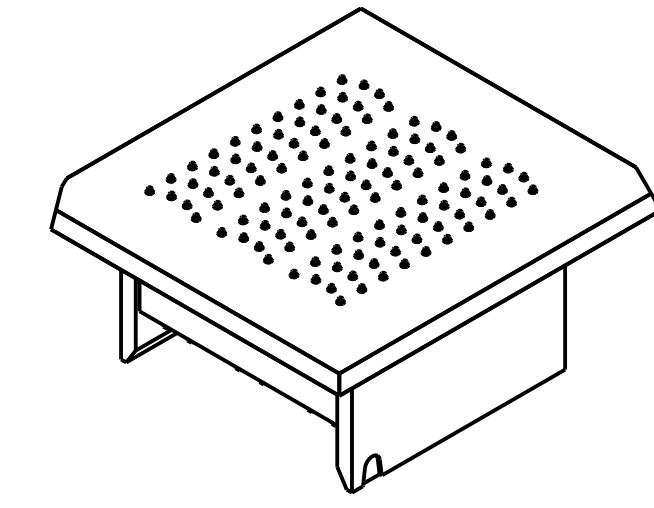
SIGNAL CONTACT LOAD
eHSD eHSD+
1 = 4.75 mm 5 = 4.75 mm
2 = 6.25 mm 6 = 6.25 mm
3 = 4.25 mm 7 = 4.25 mm
4 = 5.15 mm 8 = 5.15 mm

NUMBER OF COLUMNS
10 = 10 COLUMN MODULE
25 = 25 COLUMN MODULE

PLATING CODE
0 = 735 4=804
1 = 732 5=803
2 = 769 6=806
3 = 768 7=805

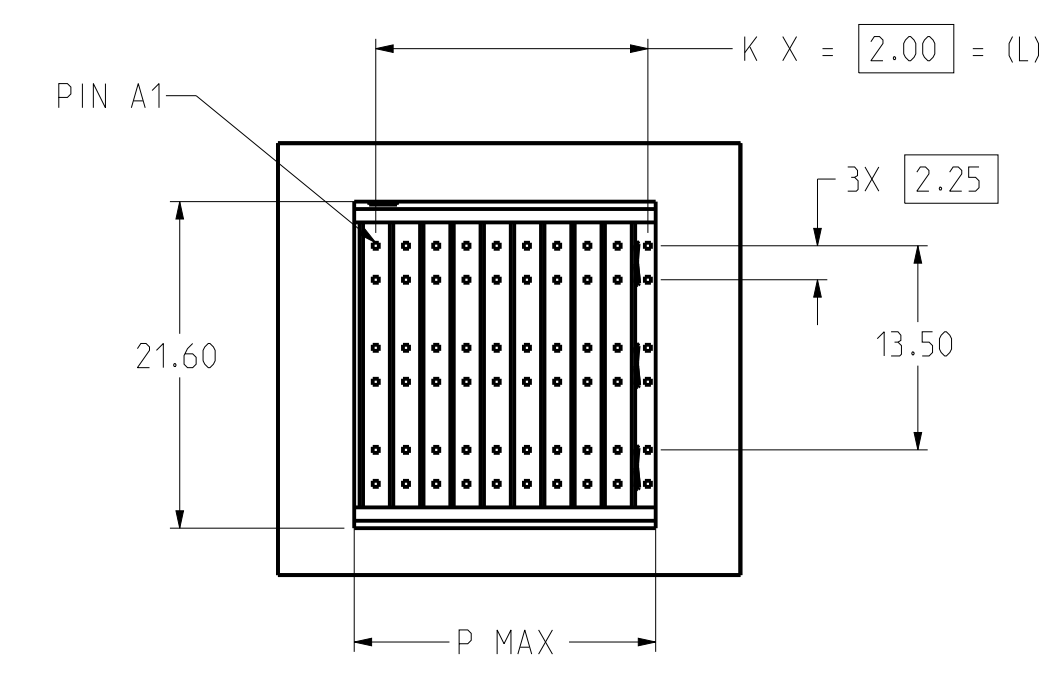


ISOMETRIC VIEW
SCALE 2/1



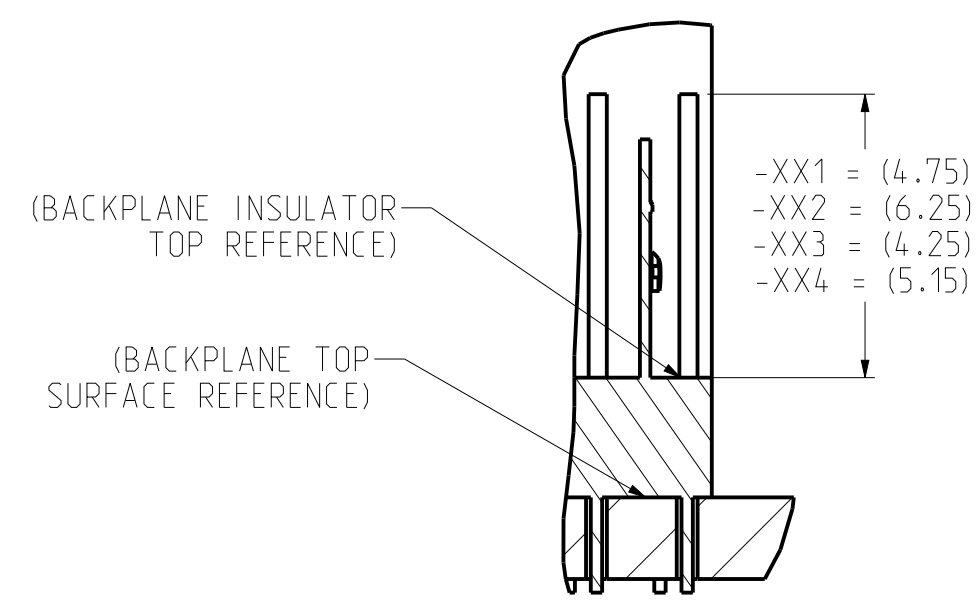
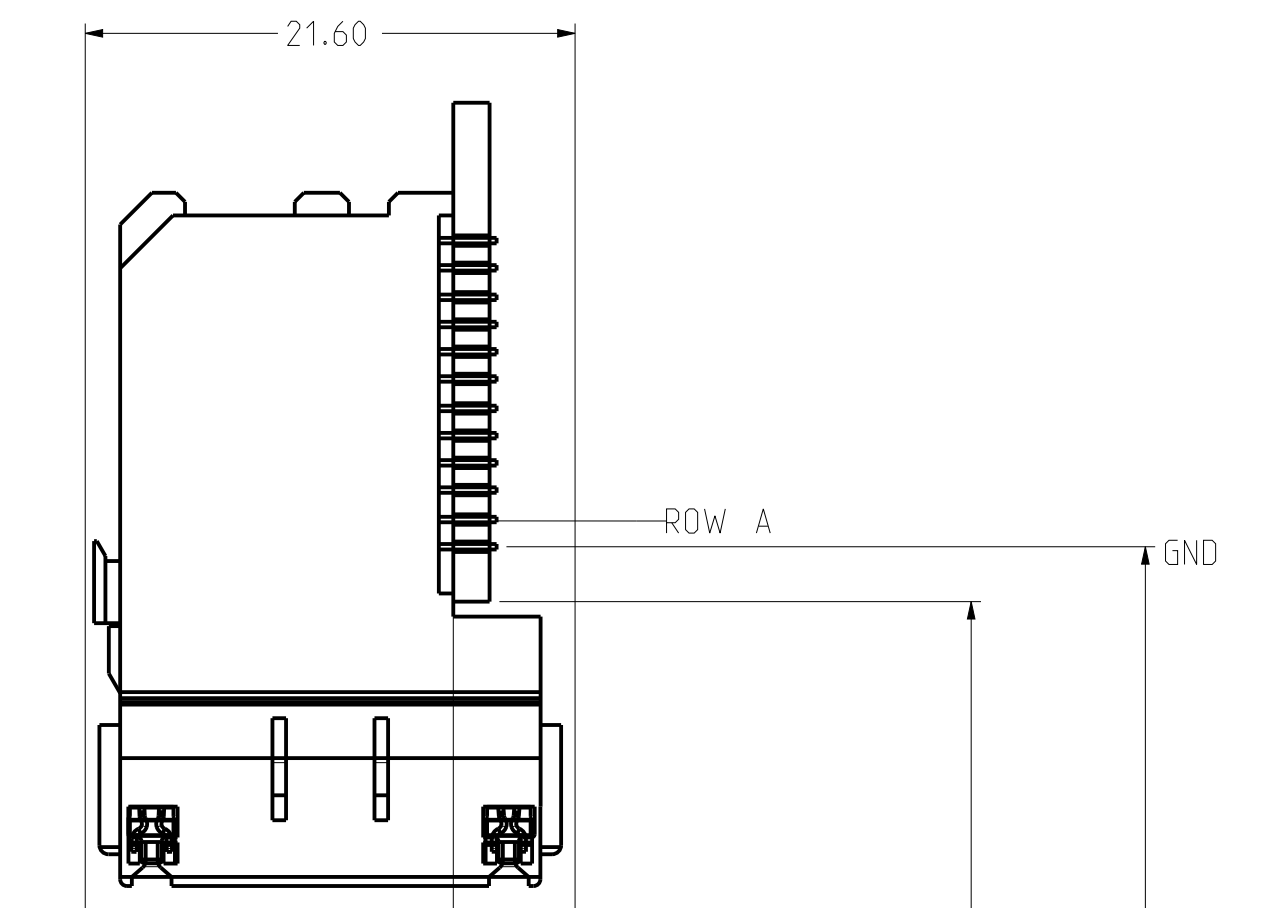
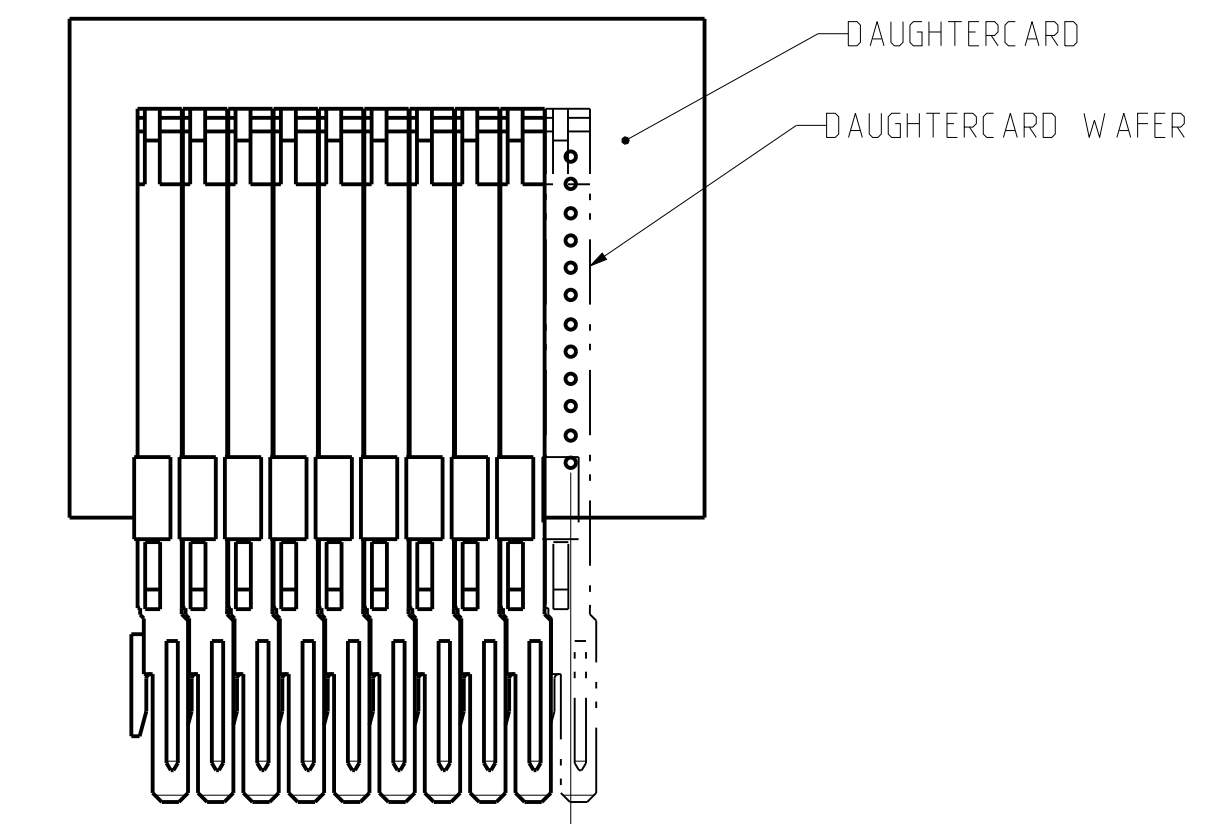
ISOMETRIC VIEW BOTTOM
SCALE 2/1

ASSY PART NUMBER	K	(L)	P	NO. OF POSITIONS
447-5010-0XX	9	(18.00)	19.94	10
447-5025-0XX	24	(48.00)	49.94	25

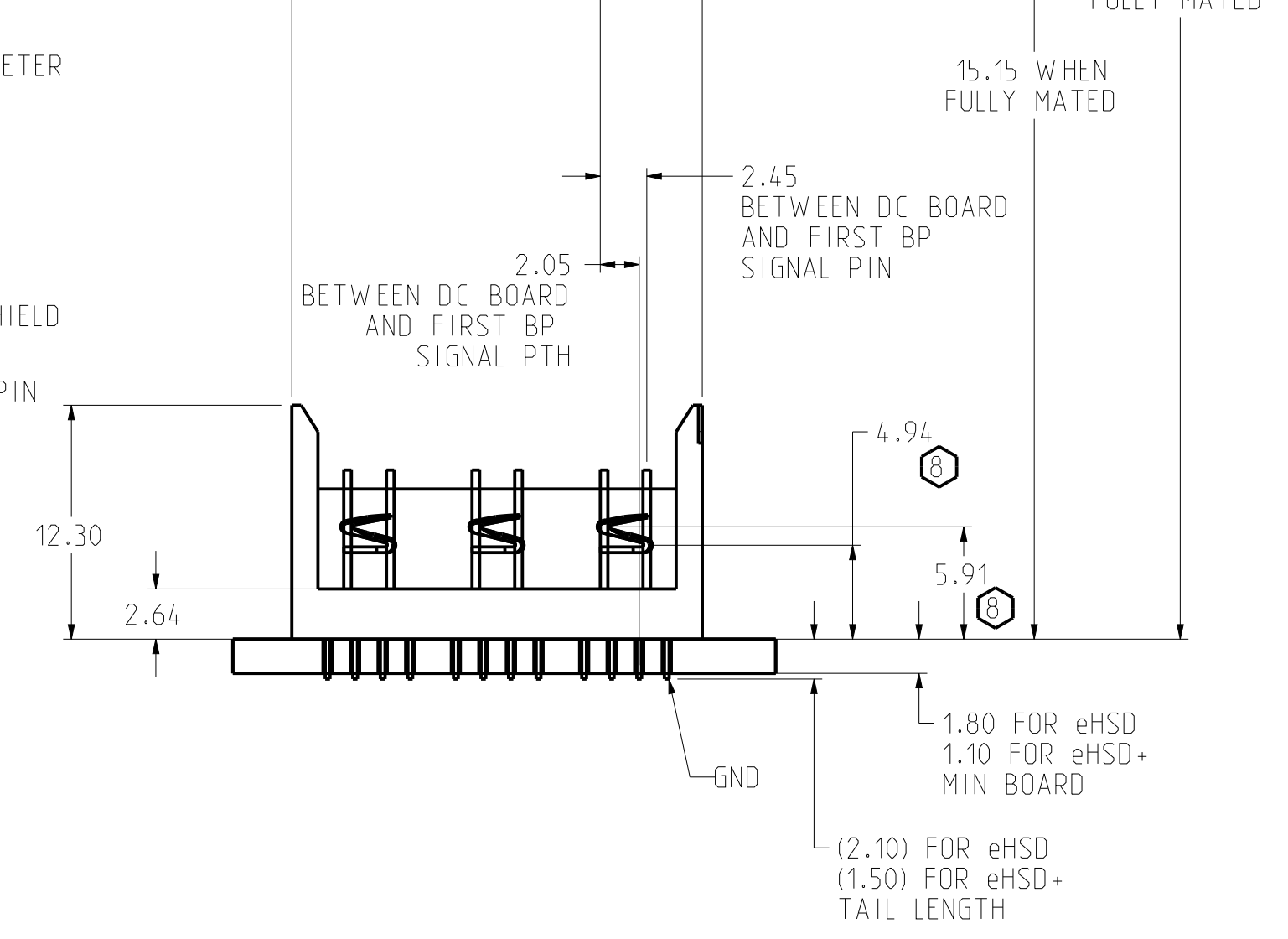
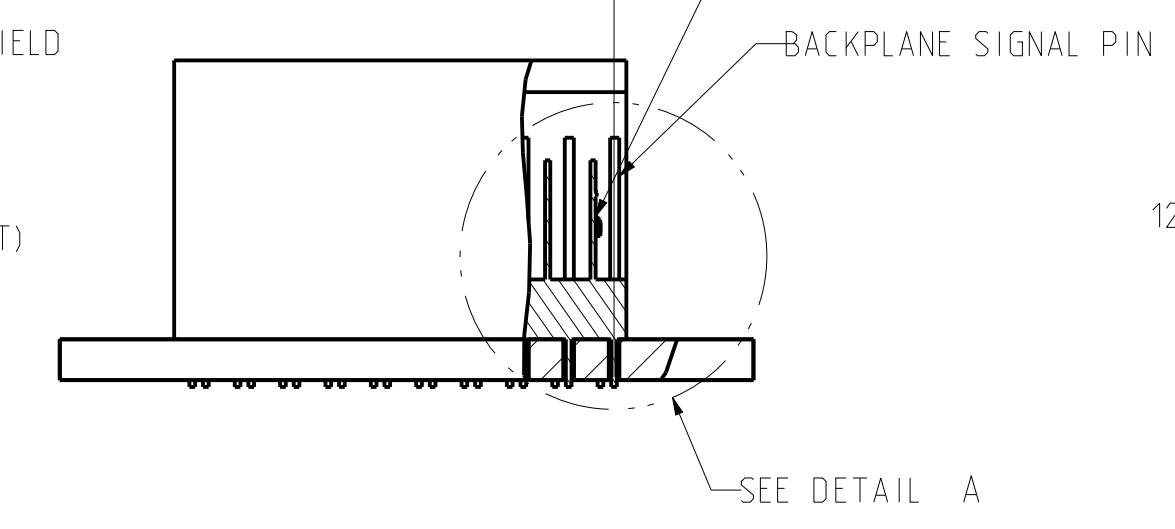
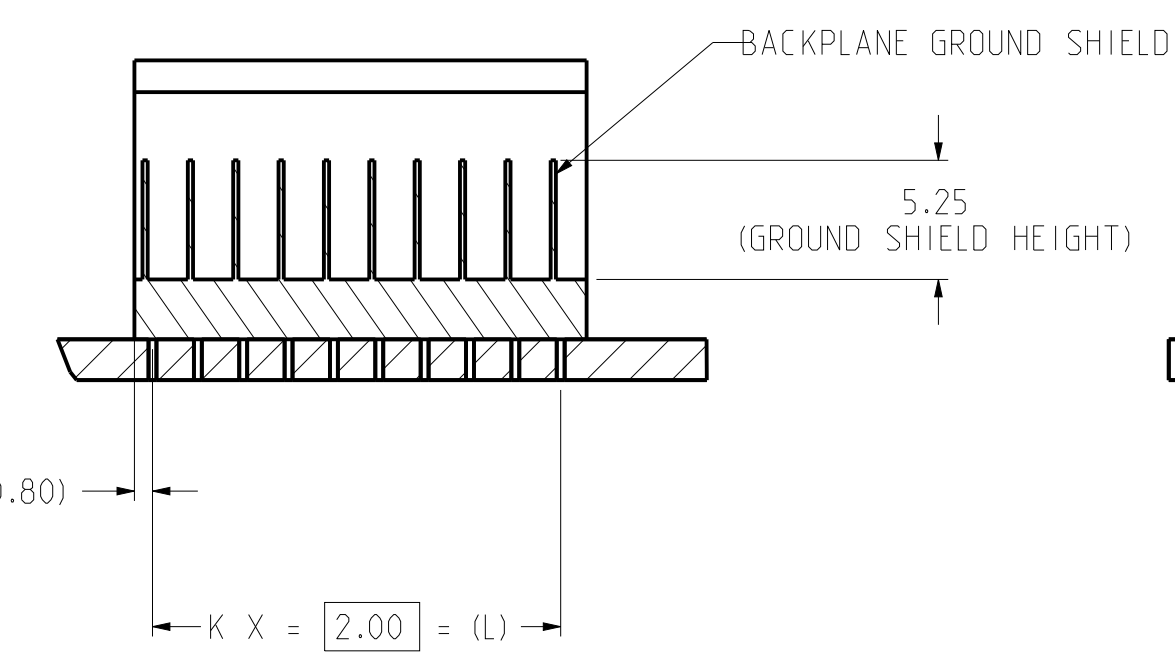


TOP VIEW
SHROUD SHOWN ONLY
SCALE 2/1

COMPONENT SIDE



DETAIL A
SCALE 6/1



- ⑤ GROUND CONTACT POINT FROM BACKPLANE SURFACE.
- 7. USE BACKPLANE APPLICATION TOOL P/N: 10 POSITION: 694-1103-000 OR 694-3943-00. 25 POSITION: 694-3945-000.
- ⑥ IF 4TH DIGIT OF ASSEMBLY P/N IS 2 OR 7 OR L OR N, DIGITS 5 THROUGH 10 ARE NOT SIGNIFICANT.
- 5. FOR REPAIR PROCEDURE FOR SIGNAL BLADE, SEE TB-2047.
- ④ 9th DIGIT OF PART NUMBER IDENTIFY PLATING CODE.
735 - Ni SULFAMATE, STANDARD GOLD, LEADED
732 - Ni SULFAMATE, HIGH GOLD, LEADED
769 - Ni SULFAMATE, STANDARD GOLD, LEAD-FREE
768 - Ni SULFAMATE, HIGH GOLD, LEAD-FREE
804 - NANO Ni, STANDARD GOLD, LEADED
803 - NANO Ni, HIGH GOLD, LEADED
806 - NANO Ni, STANDARD GOLD, LEAD-FREE
805 - NANO Ni, HIGH GOLD, LEAD-FREE

- ③ SEE TB-2325 FOR PART MARKING REQUIREMENTS.
- ② NOTCH DESIGNATES "ROW A" SIDE OF SHROUD. NOTCH FEATURE ON OPPOSITE SIDE FROM PART MARKING.
1. REFER TO TB-2033 FOR eHSD PRODUCT SPECIFICATIONS.

NOTES:

TOLERANCES	DESIGN	DATE	BY	APPROVED
0.0	±0.25	02/02/2006	M.DEROSA	
0.00	±0.13	07/23/2007	M.DEROSA	
0.000	± -	02/02/2006	M.HANRAHAN	
ANGLES	± -	02/02/2006	M.HANRAHAN	

UNLESS OTHERWISE SPECIFIED DIMENSIONS ARE IN MM. DECIMAL MARKER IS A PERIOD		Amphenol TCS A Division of Amphenol Corporation 200 Innovative Way, Nashua, NH 03062 603.879.3000	
TITLE	BACKPLANE SHROUD ASSEMBLY 8 ROW eHSD & eHSD+	PART NO.	SEE PART NUMBER TREE
DRAWING NO.	C-447-5010-500	REV	N/A
ASSEMBLY	SI-P1105-CU-BP-SHRD	SCALE	2/1
DRAWING	C-447-5010-500	SHEET	1 OF 2

INTERPRET PER ASME Y14.5M
CODE IDENT 31413

CUSTOMER USE
DRAWING

DRW NO. C-447-5010-500

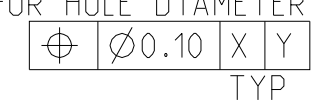
SH 1 REV E

8 7 6 5 4 3

DRW NO. C-447-5010-500 SH 2 REV E

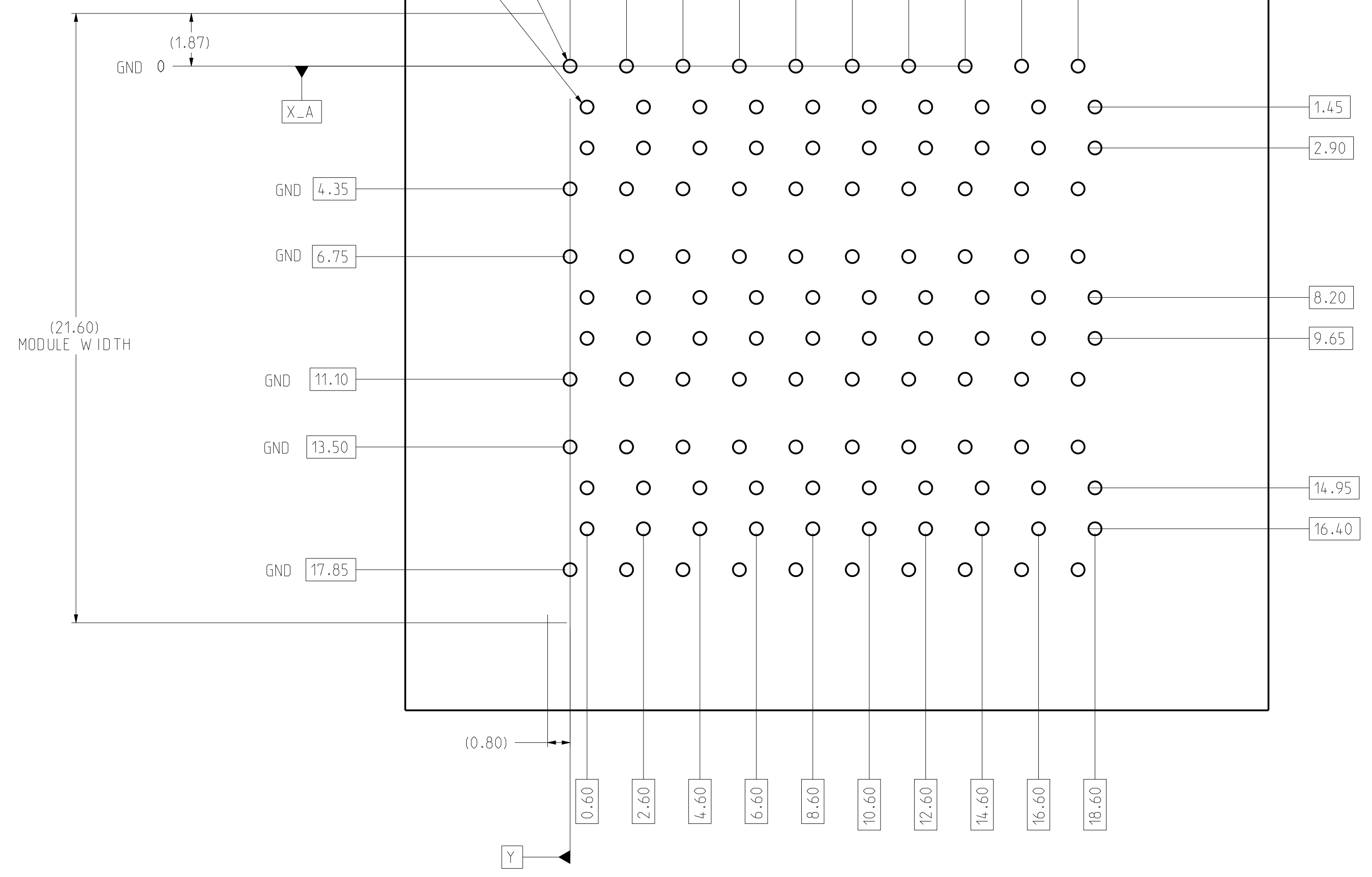
ZONE	REV	SCR NUMBER	DESCRIPTION	BY	DATE	APPROVED
			SEE SHEET 1			

SEE TABLE 2 FOR HOLE DIAMETER TYP



A1

eHSD	$\varnothing 0.51$ PTH $\varnothing 0.41$ DRILL $\varnothing 0.88$ PAD TYP
eHSD+	$\varnothing 0.41$ PTH $\varnothing 0.31$ DRILL $\varnothing 0.75$ PAD TYP



10 POSITION eHSD & eHSD+ BACKPLANE HOLE PATTERN
 COMPONENT SIDE SHOWN
 SCALE 8/1

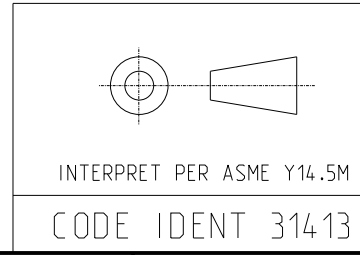
TOLERANCES	DESIGN	DATE
0.0	±0.25	02/02/2006
0.00	±0.13	07/23/2007
0.000	± -	02/02/2006
ANGLES	± -	02/02/2006

Amphenol TCS
 A Division of Amphenol Corporation
 200 Innovative Way, Nashua, NH 03062 603.879.3000

TITLE
 BACKPLANE SHROUD ASSEMBLY
 8 ROW eHSD & eHSD+

PART NO.
 SEE PART NUMBER TREE

UNLESS OTHERWISE SPECIFIED DIMENSIONS ARE IN MM. DECIMAL MARKER IS A PERIOD.



CUSTOMER USE DRAWING

DRAWING NO. C-447-5010-500

ASSEM SJ-P1105-CU-BP-SHRD 3.4
 DRAWING C-447-5010-500 D.1

SIZE D SCALE 2/1 SHEET 2 OF 2

8 7 6 5 4 3 2 1

DRW NO. C-447-5010-500

SH 2 REV E