

ZONE	REV	SCR NUMBER	DESCRIPTION	BY	DATE	APPROVED
ALL	A	MHAN-7CW7A.VER01	NEW RELEASE	HCL-AP	03/27/08	U.MAYORAL
	B	MHAN-7THNGJ.VER01	ADDED GUIDE, POLARIZING PIN DIMS & MODULE OUTLINE	HCL-RK	07/09/09	U.MAYORAL
SH1.4C	C	MHAN-7U5RJJ.VER01	DIM 11.75 WAS 11.73	HCL-RB	07/22/09	U.MAYORAL
	D	CSAS-82ZPTE.VER01	ADDED NEW PART NUMBERS FOR NEW PLATING CODES IN ASSEMBLY PART NUMBER ASSIGNMENT TREE MODIFIED NOTE 4 AND 6.	HCL-MH	02/26/2010	C.SAMMIS
	E	DCOY-AB7QCY.VER01	UPDATED PART MARKING REQUIREMENTS	HCL-SD	07/05/2016	D.COVEY

RIGHT BACKPLANE MODULE
ASSEMBLY PART NUMBER ASSIGNMENT
448 - X O X X - X X X

LOAD
2 = CUSTOM LOAD, LEADFREE
5 = STANDARD LOADED
7 = CUSTOM LOAD, LEADED
L = CUSTOM LOAD, LEADED, ADVANCED PLATING
N = CUSTOM LOAD, LEAD FREE, ADVANCED PLATING

SIGNAL CONTACT LOAD
1 = 4.75 mm
2 = 6.25 mm
3 = 4.25 mm
4 = 5.15 mm

PLATING CODE
0 = 735 4=804
1 = 732 5=803
2 = 769 6=806
3 = 768 7=805

NUMBER OF COLUMNS
10 = 10 COLUMN MODULE

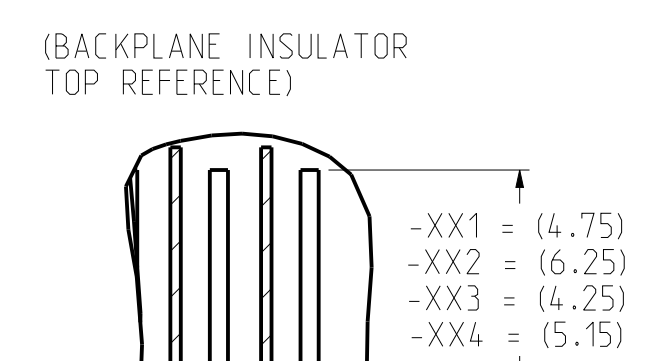
TABLE 1

ASSY PART NUMBER	K	(L)	P	NO. OF POSITIONS
448-5010-0XX	9	(18.00)	27.00	10

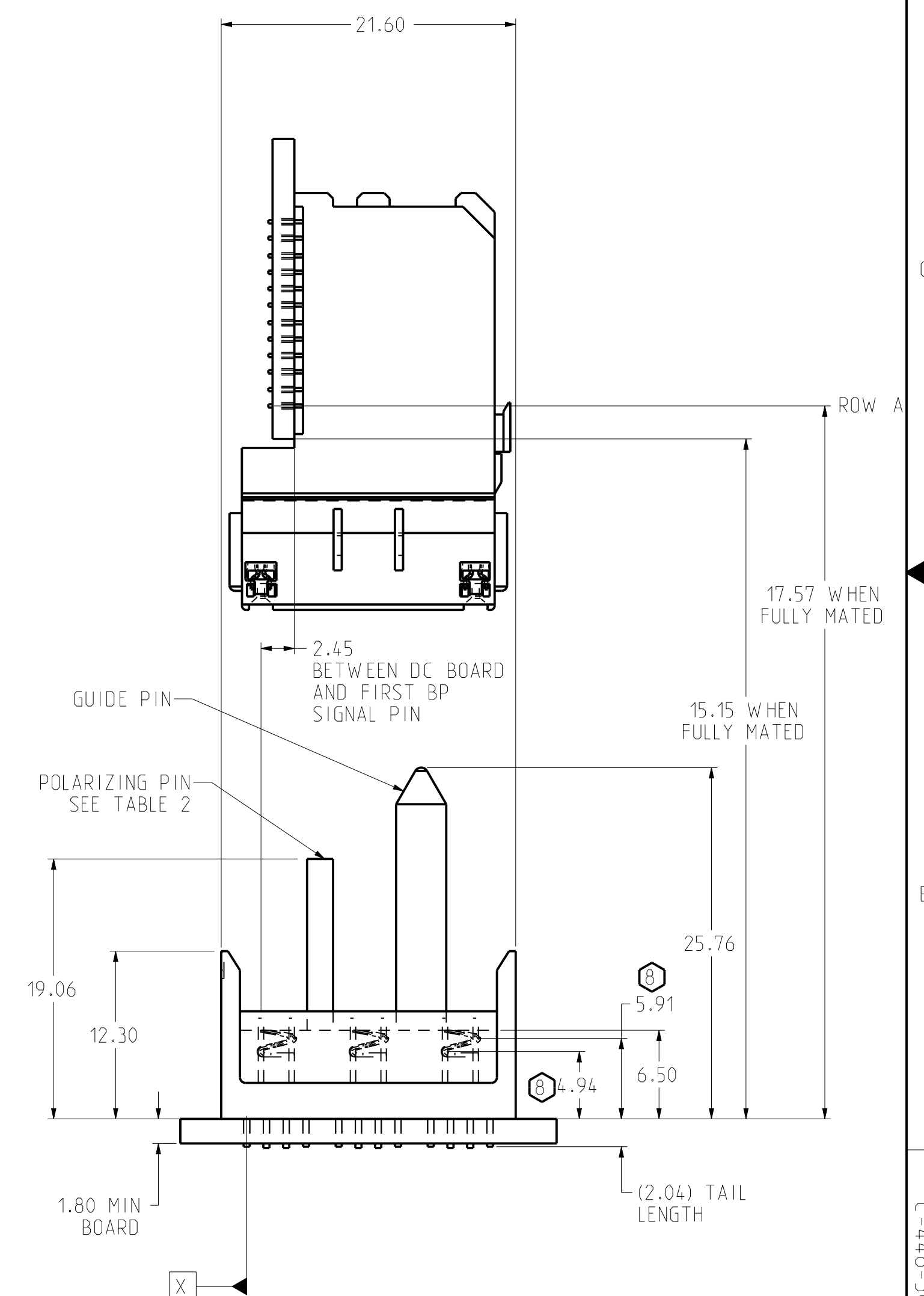
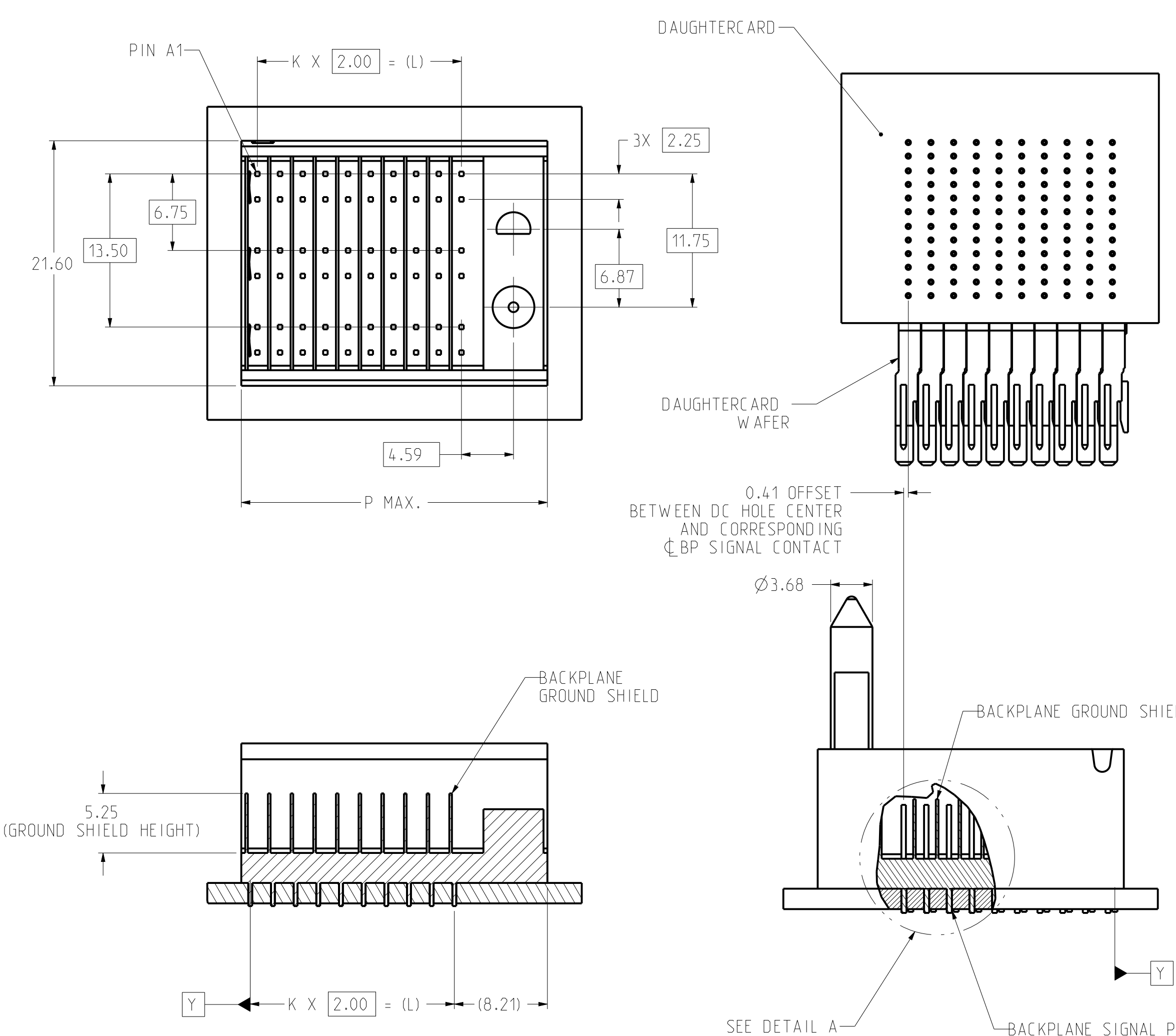
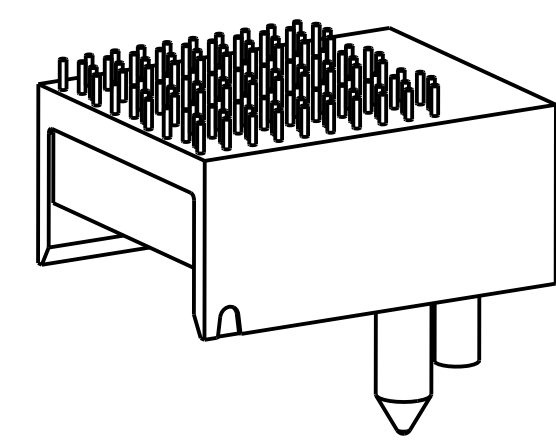
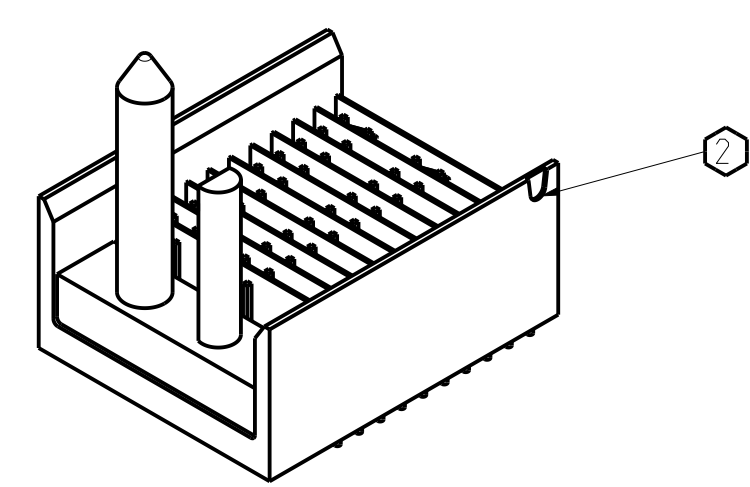
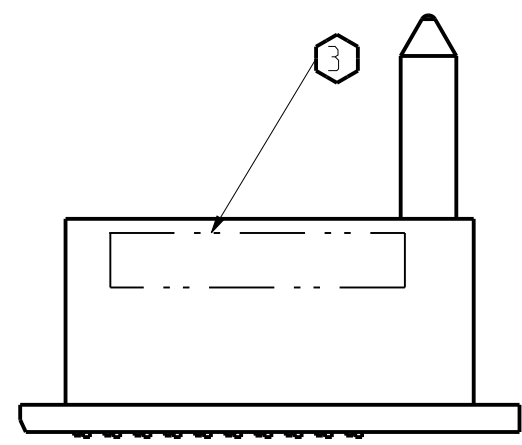
TABLE 2

PART NUMBER 564-0387-(XXX)	-0XX	-AXX	-BXX	-CXX	-DXX	-EXX	-FXX	-GXX	-HXX
POLARIZING PIN ORIENTATION									

NOTE: 0XX HAS NO POLARIZING PIN



(BACKPLANE TOP SURFACE REFERENCE)
DETAIL A
SCALE 6/1



- ⑥ GROUND CONTACT POINT FROM BACKPLANE SURFACE
- 7. USE BACKPLANE APPLICATION TOOL P/N: 694-1103-000 OR 694-3943-000.
- 6. IF 4TH DIGIT OF ASSEMBLY P/N IS 2 OR 7 OR L OR N, DIGITS 5 THROUGH 10 ARE NOT SIGNIFICANT.
- 5. FOR REPAIR PROCEDURE FOR SIGNAL BLADE, SEE TB-2208.
- ④ 9th DIGIT OF PART NUMBER IDENTIFY PLATING CODE.
735 - Ni SULFAMATE, STANDARD GOLD, LEADED
732 - Ni SULFAMATE, HIGH GOLD, LEADED
769 - Ni SULFAMATE, STANDARD GOLD, LEAD-FREE
768 - Ni SULFAMATE, HIGH GOLD, LEAD-FREE
804 - NANO Ni, STANDARD GOLD, LEADED
803 - NANO Ni, HIGH GOLD, LEADED
806 - NANO Ni, STANDARD GOLD, LEAD-FREE
805 - NANO Ni, HIGH GOLD, LEAD-FREE

- ③ SEE TB-2325 FOR PART MARKING REQUIREMENTS.
- ② NOTCH DESIGNATES "ROW A" SIDE OF SHROUD, NOTCH FEATURE ON OPPOSITE SIDE FROM PART MARKING.
- 1. REFER TO TB-2033 FOR eHSD PRODUCT SPECIFICATIONS.

NOTES:

TOLERANCES	DESIGN 07/11/2006	J.GIROUX	Amphenol TCS A Division of Amphenol Corporation 200 Innovative Way, Nashua, NH 03062 603.879.3000	
0.0	±0.25	DRAWN 03/27/08	HCL-AP	TITLE BP RIGHT POLARIZING GUIDE ASSEMBLY 8 ROW eHSD
0.00	±0.13	CHK 03/27/08	B.RICHARD	PART NO. SEE PART NUMBER TREE
0.000	± -	APVD 03/27/08	B.RICHARD	REV N/A
ANGLES	± -			REV E

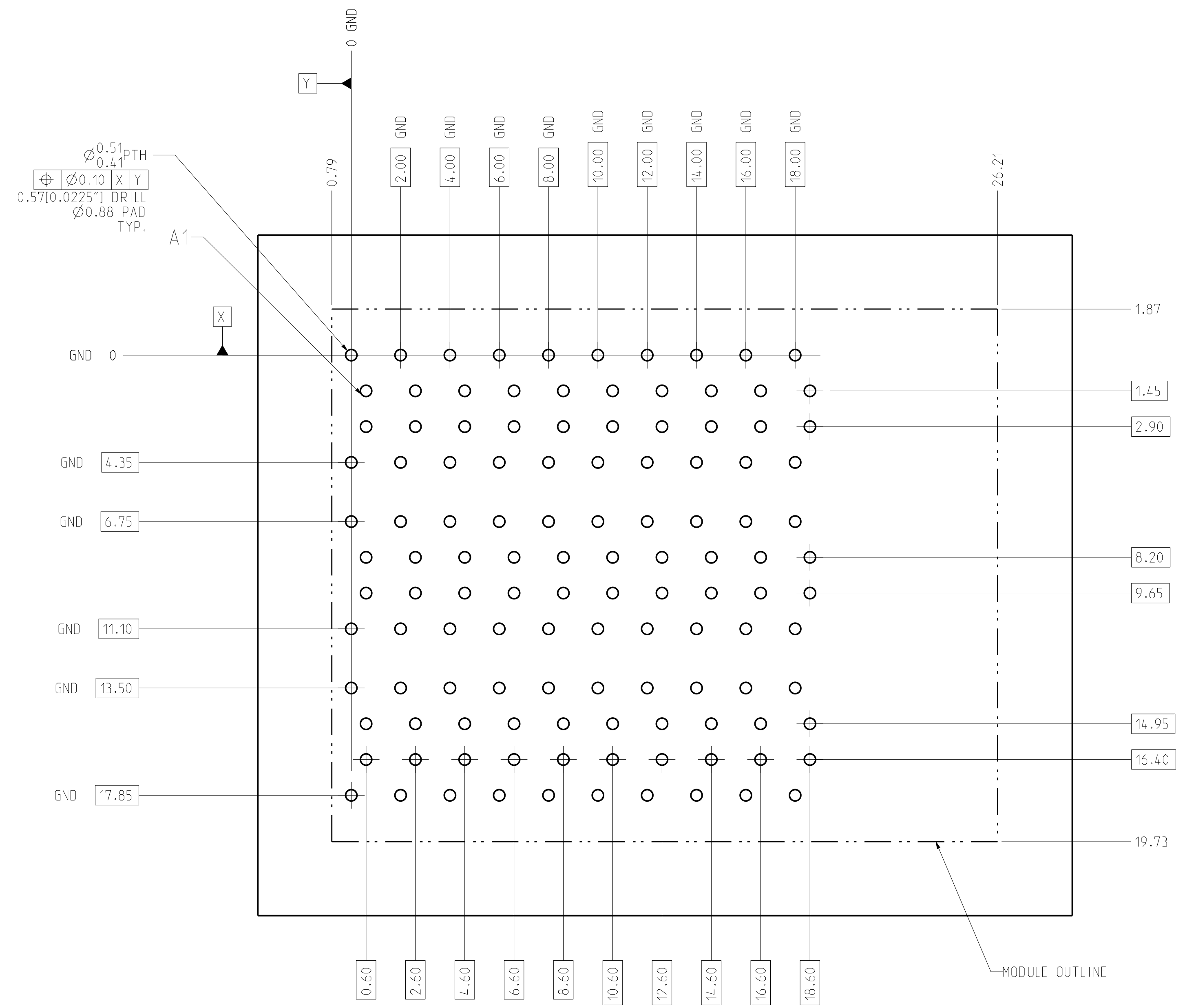
UNLESS OTHERWISE SPECIFIED DIMENSIONS ARE IN MM. DECIMAL MARKER IS A PERIOD.
INTERPRET PER ASME Y14.5M
CODE IDENT 31413

CUSTOMER USE DRAWING

DRAWING NO.	SCALE	SHEET
C-448-5010-500	2/1	1 OF 2

C-448-5010-500

ZONE	REV	SCR NUMBER	DESCRIPTION	BY	DATE	APPROVED
			SEE SHEET 1			



10 POSITION ESD BACKPLANE HOLE PATTERN
 COMPONENT SIDE SHOWN
 SCALE 8/1

TOLERANCES		DESIGN 07/11/2006 J.GIROUX	Amphenol TCS A Division of Amphenol Corporation 200 Innovative Way, Nashua, NH 03062 603.879.3000	TITLE	BP RIGHT POLARIZING GUIDE ASSEMBLY	REV	E
0.0	±0.25	DRAWN 03/27/08 HCL-AP		PART NO.	SEE PART NUMBER TREE	REV	N/A
0.00	±0.13	CHK 03/27/08 B.RICHARD		DRAWING NO.	C-448-5010-500	REV	E
0.000	± -	APVD 03/27/08 B.RICHARD		PROE TYPE	S1-P1105-CU-BP-RIGHT-SHRD	SCALE	2.6
ANGLES	± -	UNLESS OTHERWISE SPECIFIED DIMENSIONS ARE IN MM. DECIMAL MARKER IS A PERIOD.		PROE DRAWING	C-448-5010-500	D.1	
INTERPRET PER ASME Y14.5M CODE IDENT 31413			CUSTOMER USE DRAWING		SIZE	D	
			SCALE	2/1	SHEET 2 OF 2		

005-0105-877-C

SH 2 REV E