

ZONE	REV	SCR NUMBER	DESCRIPTION	BY	DATE	APPROVED
ALL	A	MHAN-7CWR7A.VER01	NEW RELEASE	HCL-AP	03/27/08	U.MAYORAL
	B	MHAN-7THNGJ.VER01	ADDED GUIDE, POLARIZING PIN DIMS & MODULE OUTLINE	HCL-RK	07/09/09	U.MAYORAL
SH1.6C SH1.5B	C	MHAN-7U5RJY.VER01	DIM 11.75 WAS 11.73, DIM 5.41 WAS 5.44	HCL-RB	07/22/09	U.MAYORAL
	D	CSAS-82ZPTE.VER01	ADDED NEW PART NUMBERS FOR NEW PLATING CODES IN ASSEMBLY PART NUMBER ASSIGNMENT TREE MODIFIED NOTE 4 AND 6.	HCL-MH	02/26/2010	C.SAMMIS
	E	DCOY-AB7QCY.VER01	UPDATED PART MARKING REQUIREMENTS	HCL-SD	07/05/2016	D.COVEY

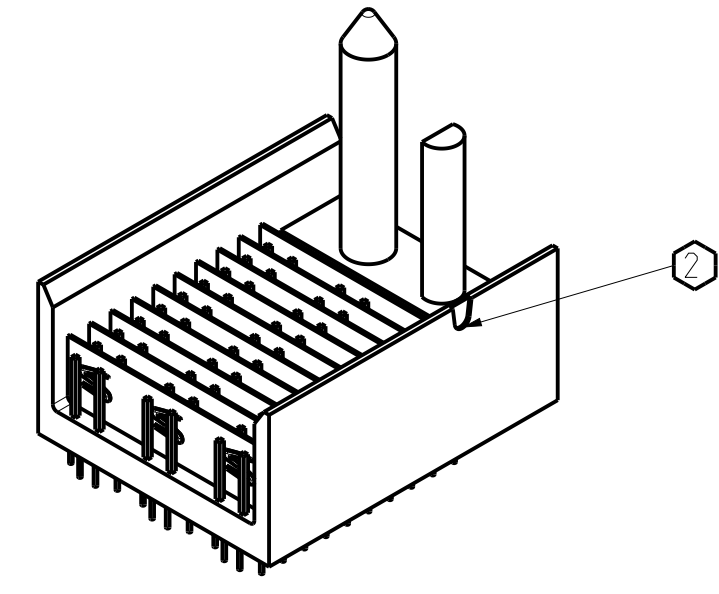
LEFT BACKPLANE MODULE
ASSEMBLY PART NUMBER ASSIGNMENT
448 - X 1 X X - X X X

LOAD
2 = CUSTOM LOAD, LEADFREE
5 = STANDARD LOADED
7 = CUSTOM LOAD, LEADED
L = CUSTOM LOAD, LEADED, ADVANCED PLATING
N = CUSTOM LOAD, LEAD FREE, ADVANCED PLATING

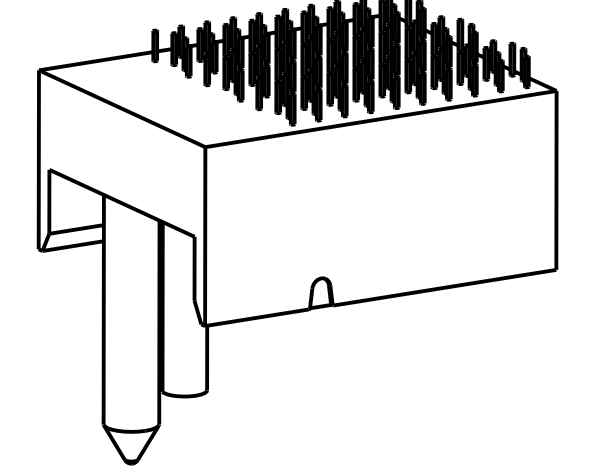
NUMBER OF COLUMNS
10 = 10 COLUMN MODULE

SIGNAL CONTACT LOAD
1 = 4.75 mm
2 = 6.25 mm
3 = 4.25 mm
4 = 5.15 mm

PLATING CODE
0 = 735 4=804
1 = 732 5=803
2 = 769 6=806
3 = 768 7=805



ISO VIEW
SCALE 2/1



ISO VIEW BOTTOM
SCALE 2/1

TABLE 1

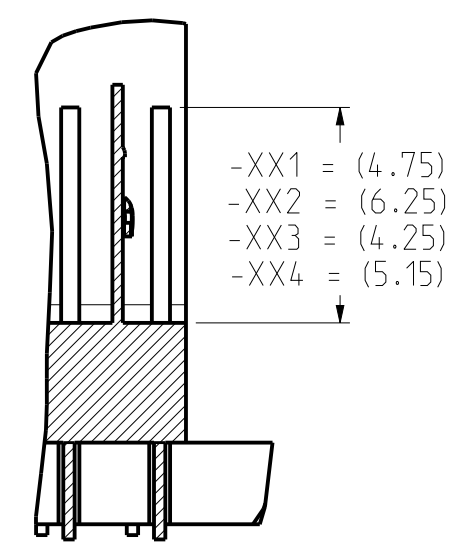
ASSY PART NUMBER	K	(L)	P	NO. OF POSITIONS
448-5110-0XX	9	(18.00)	27.00	10

TABLE 2

PART NUMBER 564-0387-(XXX)	-0XX	-AXX	-BXX	-CXX	-DXX	-EXX	-FXX	-GXX	-HXX
POLARIZING PIN ORIENTATION									

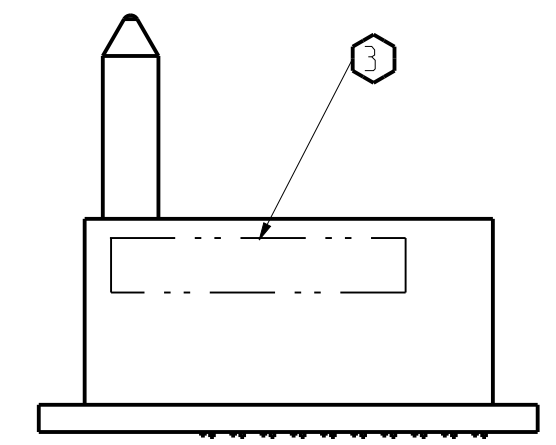
NOTE: 0XX HAS NO POLARIZING PIN

(BACKPLANE INSULATOR TOP REFERENCE)

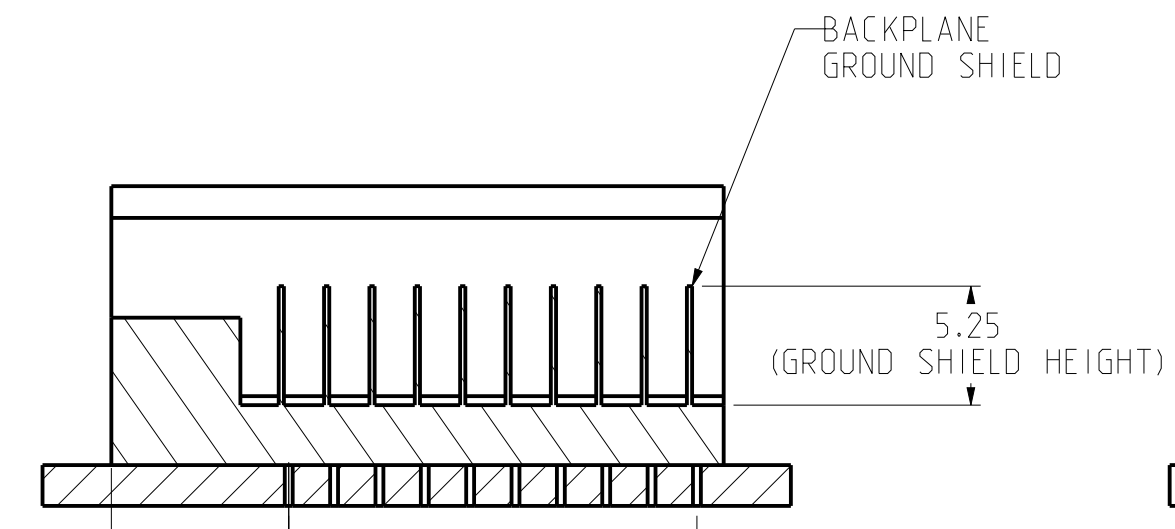
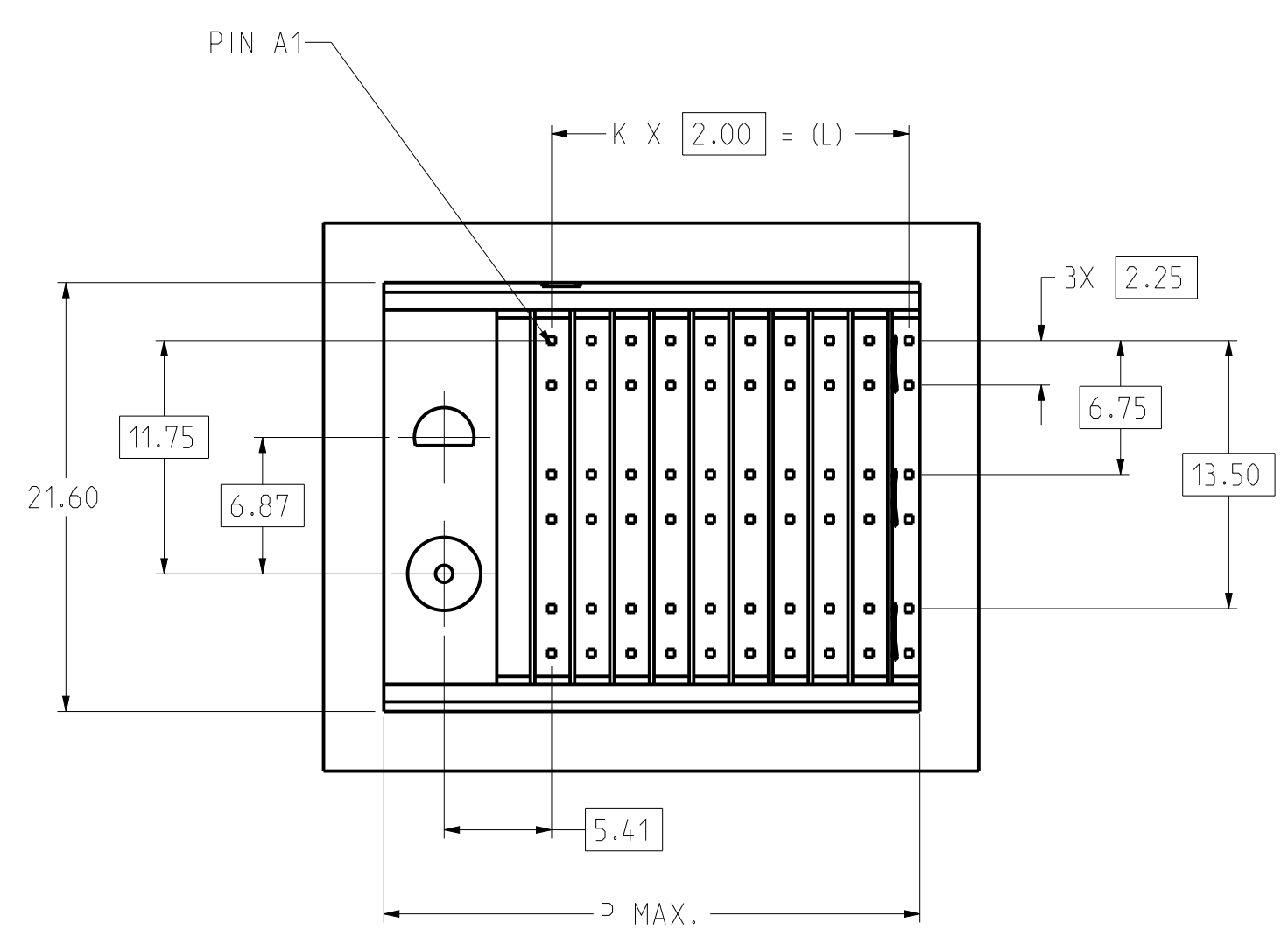


(BACKPLANE TOP SURFACE REFERENCE)

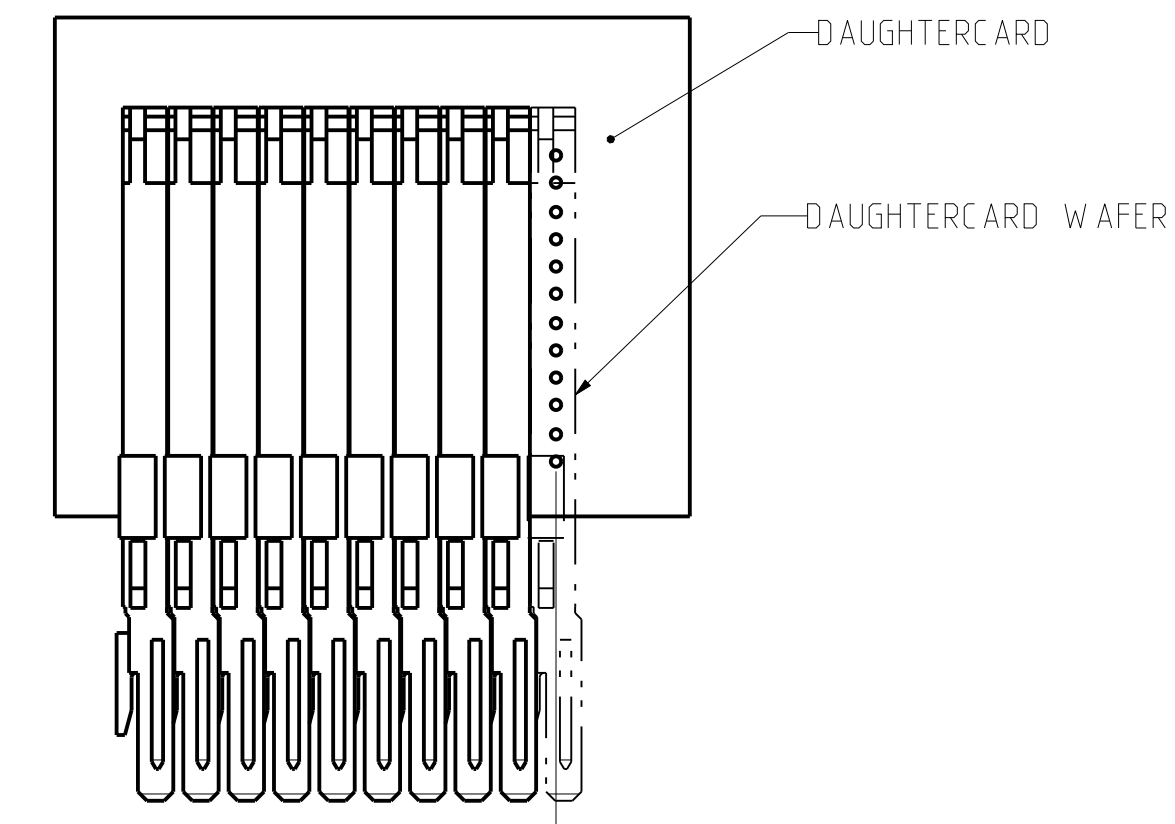
DETAIL A
SCALE 6/1



NON NOTCH SIDE

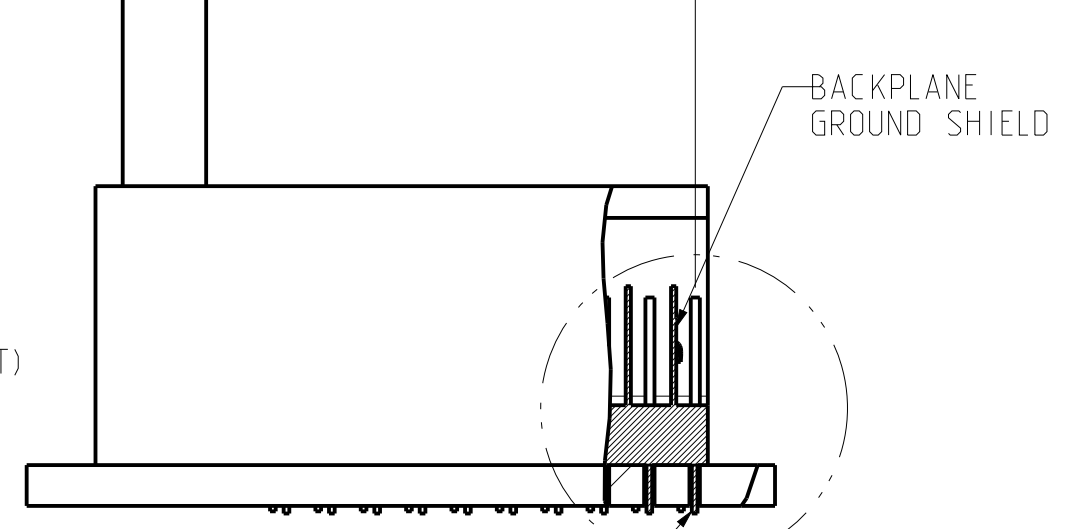


COMPONENT SIDE

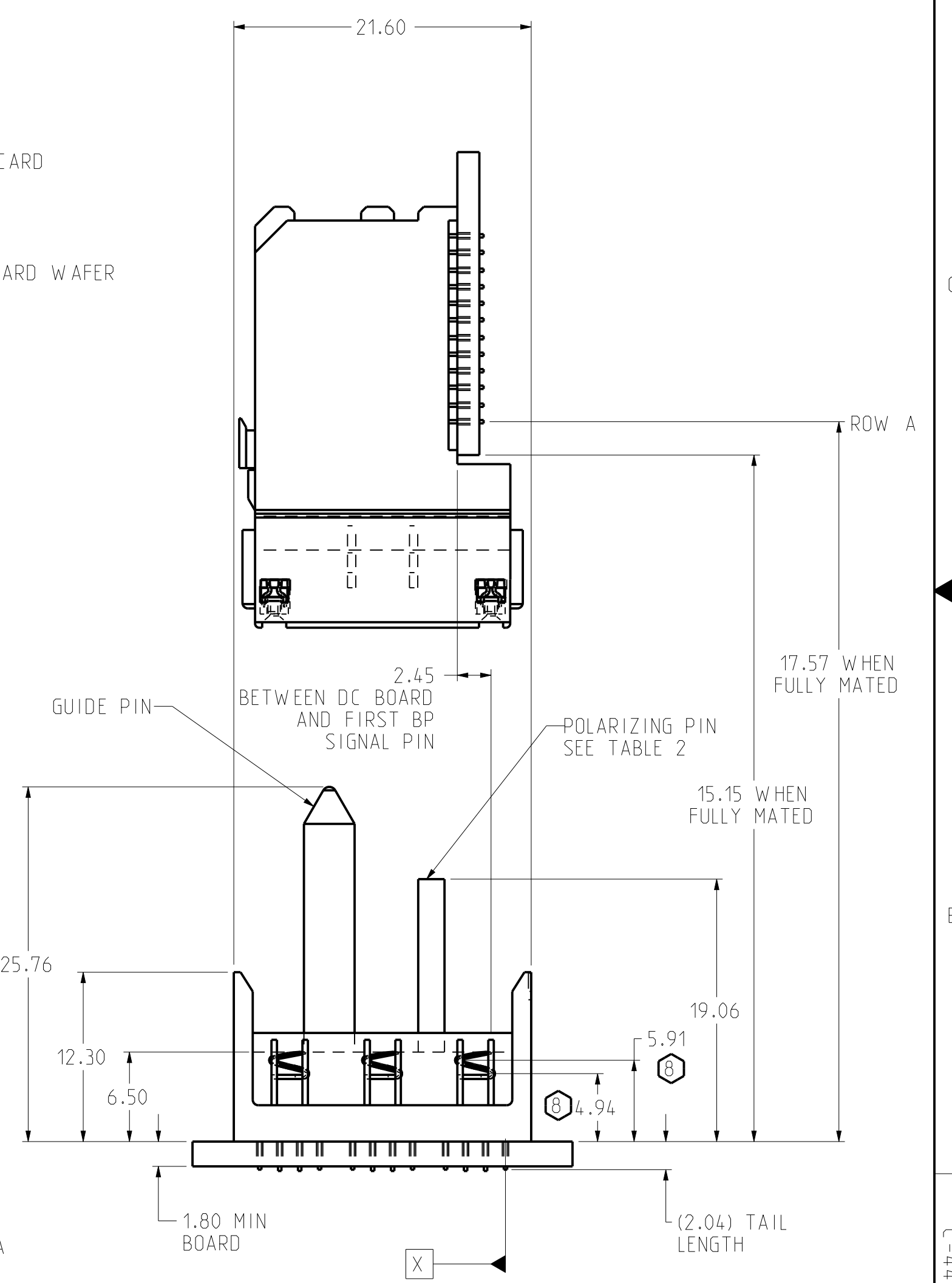


0.41 OFFSET BETWEEN DC HOLE CENTER AND CORRESPONDING BP SIGNAL PIN HOLE CENTER

Ø3.68



BACKPLANE SIGNAL PIN



- ① GROUND CONTACT POINT FROM BACKPLANE SURFACE.
- 7. USE BACKPLANE APPLICATION TOOL P/N: 694-1103-000 OR 694-3943-000.
- ⑥ IF 4TH DIGIT OF ASSEMBLY P/N IS 2 OR 7 OR L OR N, DIGITS 5 THROUGH 10 ARE NOT SIGNIFICANT.
- 5. FOR REPAIR PROCEDURE FOR SIGNAL BLADE, SEE TB-2208.
- ④ 9th DIGIT OF PART NUMBER IDENTIFY PLATING CODE.
735 - Ni SULFAMATE, STANDARD GOLD, LEADED
732 - Ni SULFAMATE, HIGH GOLD, LEADED
769 - Ni SULFAMATE, STANDARD GOLD, LEAD-FREE
768 - Ni SULFAMATE, HIGH GOLD, LEAD-FREE
804 - NANO Ni, STANDARD GOLD, LEADED
803 - NANO Ni, HIGH GOLD, LEADED
806 - NANO Ni, STANDARD GOLD, LEAD-FREE
805 - NANO Ni, HIGH GOLD, LEAD-FREE
- ③ SEE TB-2325 FOR PART MARKING REQUIREMENTS.
- ② NOTCH DESIGNATES "ROW A" SIDE OF SHROUD. NOTCH FEATURE ON OPPOSITE SIDE FROM PART MARKING.

NOTES:

1. REFER TO TB-2033 FOR eHSD PRODUCT SPECIFICATIONS.

TOLERANCES

0.0	±0.25
0.00	±0.13
0.000	± -
ANGLES	± -

DESIGN 06/23/2006
J.GIROUX
DRAWN 03/27/08
HCL-AP
CHK 03/27/08
B.RICHARD
APVD 03/27/08
U.MAYORAL

Amphenol TCS
A Division of Amphenol Corporation
200 Innovative Way, Nashua, NH 03082 603.879.3000

TITLE
BP LEFT POLARIZING GUIDE ASSEMBLY
8 ROW eHSD

PART NO.
SEE PART NUMBER TREE

DRAWING NO.
C-448-5110-500

PRO/E Type: SI-P1105-CU-BP-LEFT-SHRD
PRO/E DRAWING: C-448-5110-500

SIZE D SCALE 2/1 SHEET 1 OF 2

UNLESS OTHERWISE SPECIFIED DIMENSIONS ARE IN MM. DECIMAL MARKER IS A PERIOD

INTERPRET PER ASME Y14.5M
CODE IDENT 31413

CUSTOMER USE
DRAWING

DRW NO. C-448-5110-500

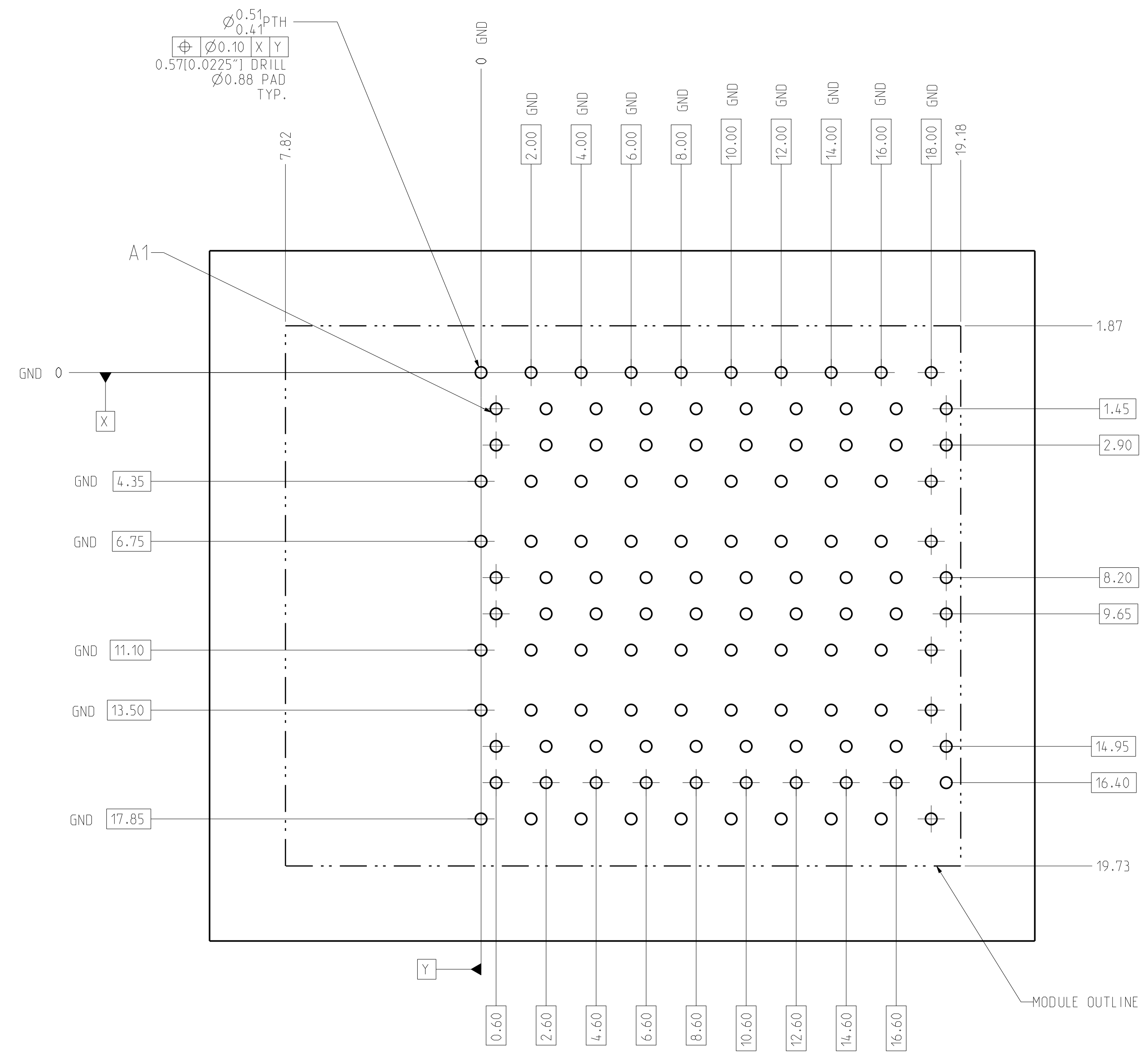
SH 1 REV E

8 7 6 5 4 3

DRW NO. C-448-5110-500 SH 2 REV E

ZONE	REV	SCR NUMBER	DESCRIPTION	BY	DATE	APPROVED
			SEE SHEET 1			

D
C
B
A



10 POSITION EHS BACKPLANE HOLE PATTERN
COMPONENT SIDE SHOWN
SCALE 8/1

TOLERANCES		DESIGN 06/23/2006 J.GIROUX	Amphenol TCS A Division of Amphenol Corporation 200 Innovative Way, Nashua, NH 03062 803.879.3000	TITLE	BP LEFT POLARIZING GUIDE ASSEMBLY 8 ROW EHS
0.0	±0.25	DRAWN 03/27/08 HCL-AP		PART NO.	SEE PART NUMBER TREE
0.00	±0.13	CHK 03/27/08 B.RICHARD		DRAWING NO.	C-448-5110-500
0.000	± -	APVD 03/27/08 U.MAYORAL		PROJ TYPE	S1-P1105-CU-BP-LEFT-SHRD PROJ DRAWING: C-448-5110-500
ANGLES	± -	UNLESS OTHERWISE SPECIFIED DIMENSIONS ARE IN MM. DECIMAL MARKER IS A PERIOD.		SCALE	2/1
 INTERPRET PER ASME Y14.5M CODE IDENT 31413			CUSTOMER USE DRAWING		SHEET 2 OF 2

8 7 6 5 4 3 2 1

DRW NO. C-448-5110-500

SH 2 REV E