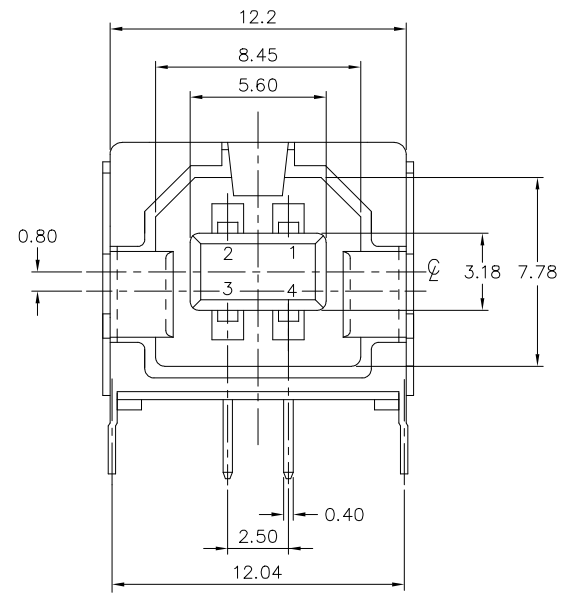
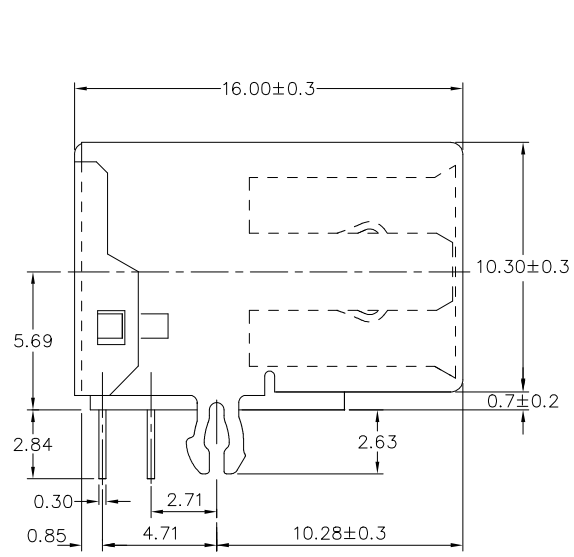
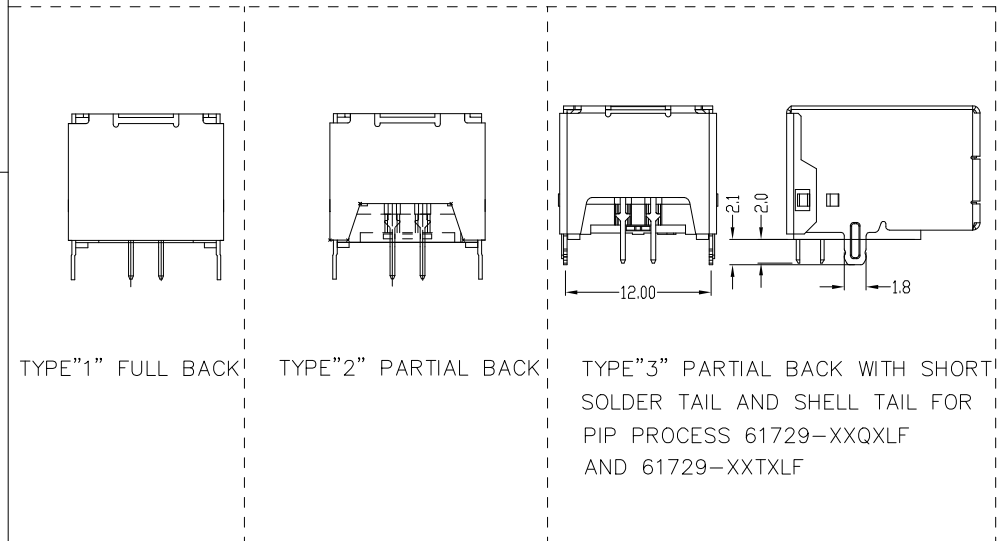
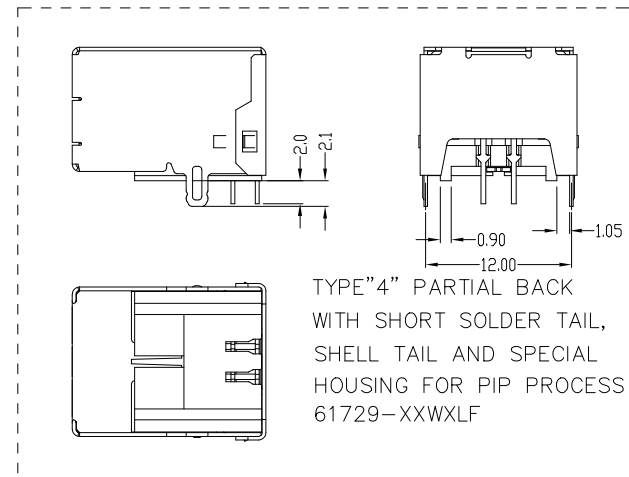


PRODUCT NO.
61729-*

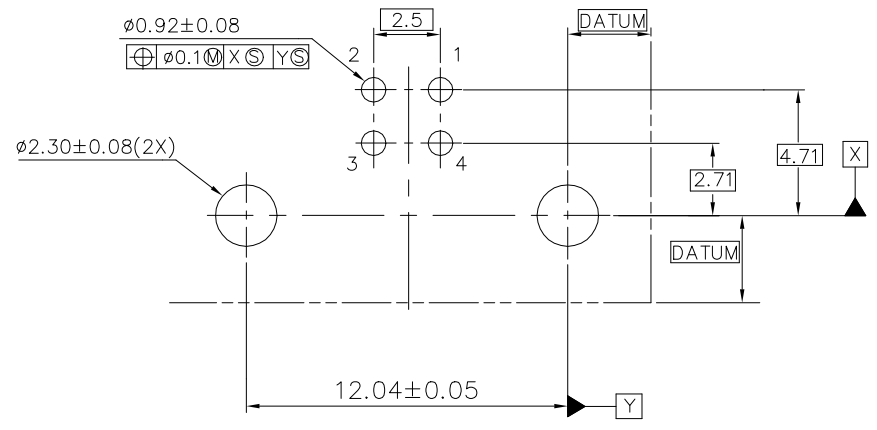


Amphenol
FCI

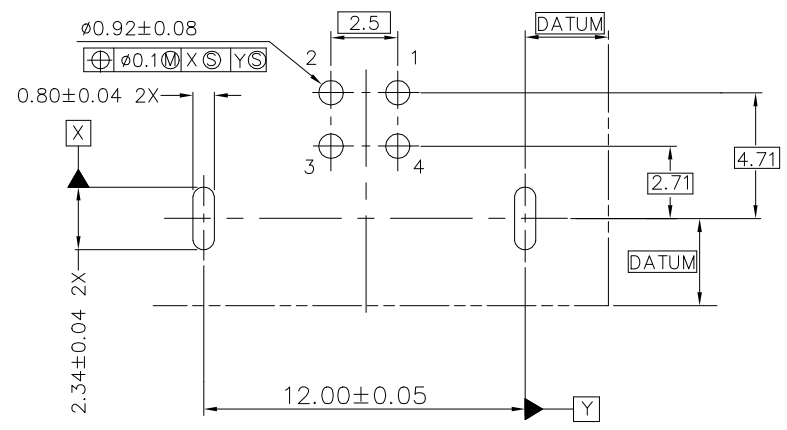


mat'l. code		surface ISO 1302		tolerance ISO 406		projection ISO 1101		product family	
AA ELX-N-34768-1		YY		09/19/19		mm		HPL 511 USB2.0	
ltr		ecn no		dr		date		title	
AA		ELX-N-34768-1		YY		09/19/19		USB RECEPTACLE B TYPE	
U		N08-0238		RB		11/03/08		scale 1:1	
V		N08-0246		RB		12/08/08		dwg no	
W		EGR-N-16533		LQ		12/17/13		sheet 1 of 3	
X		ELX-N-29556		LZ		03/09/18		size	
Y		ELX-N-32780		YY		02/26/19		A3	
sheet		revision						61729	
index		sheet						Product Customer Drawing	





P.C. BOARD LAYOUT
 STYLE 1 APPLY FOR TYPE 1 & 2



P.C. BOARD LAYOUT
 STYLE 2 APPLY FOR TYPE 3

NOTES:

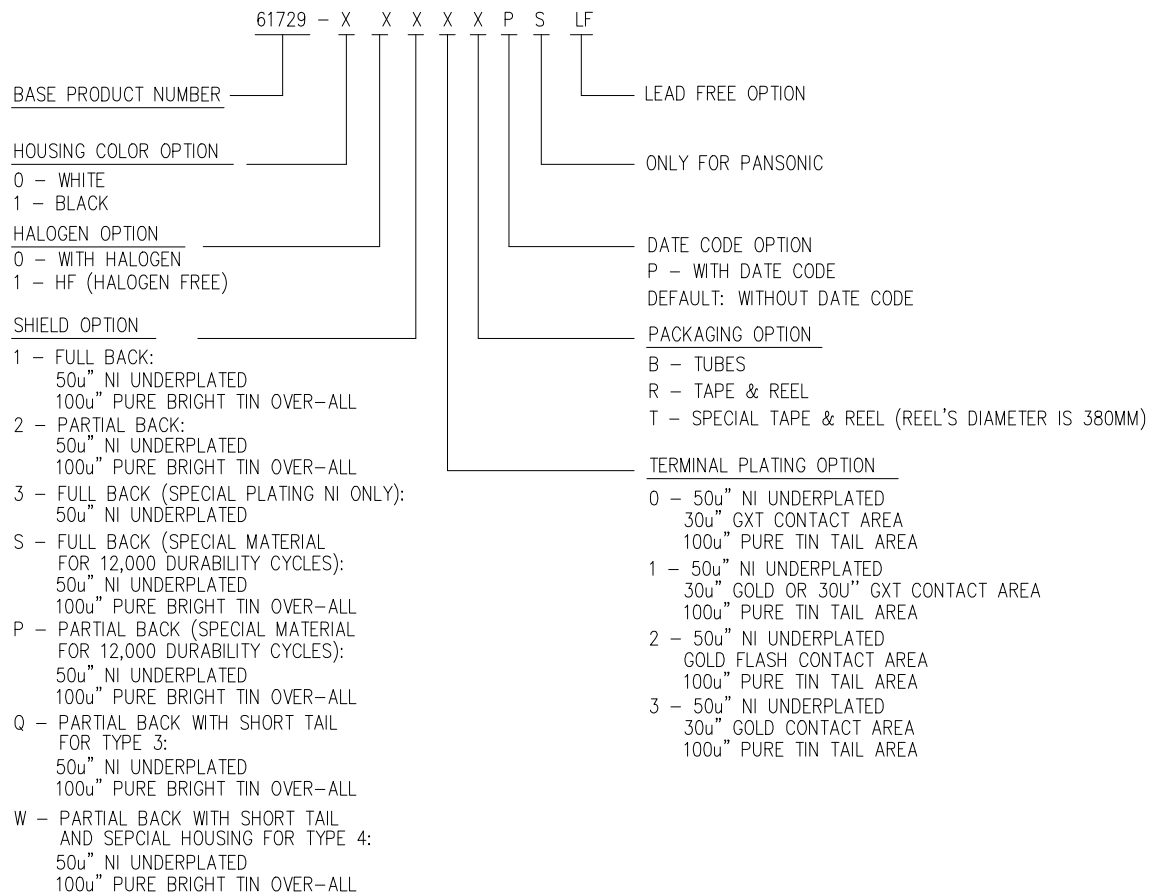
1. MATERIAL:
 SHIELD & CONTACTS: COPPER ALLOY
 HOUSING: UL 94V-0 ,HIGH TEMPERATURE THERMOPLASTIC.
 COLOR: SEE PRODUCT NUMBER CODE.
2. PLATING: SEE PRODUCT NUMBER CODE.
 SHIELD: BRIGHT TIN, NICKEL UNDERPLATE(USED FOR WAVE SOLDER PROCESS),
 PLATING NICKEL ONLY(USED FOR PIP PROCESS).
3. DATUMS & BASIC DIMENSIONS TO BE DETERMINED BY CUSTOMER
4. RECOMMENDED BOARD THICKNESS IS 1.57 mm (.062)
5. PACKING STANDARD GS-14-920 WILL BE APPLIED FOR LEAD FREE P/N'S
6. FOR LEAD FREE P/N, THE PRODUCT MEET EUROPEAN UNION DIRECTIVES AND
 OTHER COUNTRY REGULATION AS DESCRIBED IN GS-22-008
7. FOR LEAD FREE P/N'S, THE HOUSING WILL WITHSTAND EXPOSURE TO 260°C
 PEAK TEMPERATURE FOR 10 SECONDS IN A CONVECTION, INFRO-RED OR VAPOR
 PHASE REFLOW OVEN.
8. THE PART CAN BE USED FOR PIP PROCESS.



© 2016 AFCI

mat'l. code		surface ISO 1302 ✓	tolerance ISO 406 ISO 1101	projection 1101	product family HPL 511 USB2.0	
ltr	ecn no	dr	date	tolerances unless otherwise specified	title	
AA				0.0±0.30 0.00±0.20 0.000±0.10	USB RECEPTACLE B TYPE	
				angles 0°±2'	mm	
				linear	scale 1:1	
		dr	Yuan-Yuan Bao	09/19/19	Amphenol FCI	dwg no
		eng	Yuan-Yuan Bao	09/19/19		sheet 2 of 3
		chr	Li-Qing Lei	09/19/19		size
		appd	Tim Yao	09/19/19		A3
sheet index		revision sheet			type Product Customer Drawing	

PRODUCT NUMBER CODE:



© 2016 AFCI

mat'l. code		surface	tolerance	projection	product family
		ISO 1302 ✓	ISO 406 ISO 1101		HPL 511 USB2.0
ltr	ecn no	dr	date	tolerances unless otherwise specified	title
Y6				0.0±0.30 0.00±0.20 0.000±0.10	USB RECEPTACLE B TYPE
				linear	mm
				0°±2'	scale 1:1
		dr	Yuan-Yuan Bao	09/19/19	Amphenol FCI dwg no 61729 sheet 3 of 3 size A3 type Product Customer Drawing
		eng	Yuan-Yuan Bao	09/19/19	
		chr	Li-Qing Lei	09/19/19	
		appd	Tim.Yao	09/19/19	
sheet index	revision sheet				