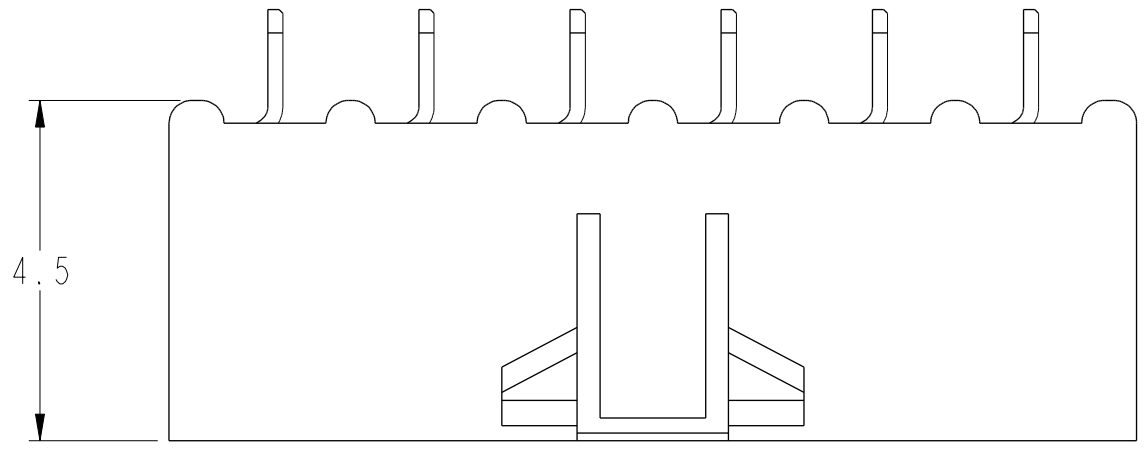
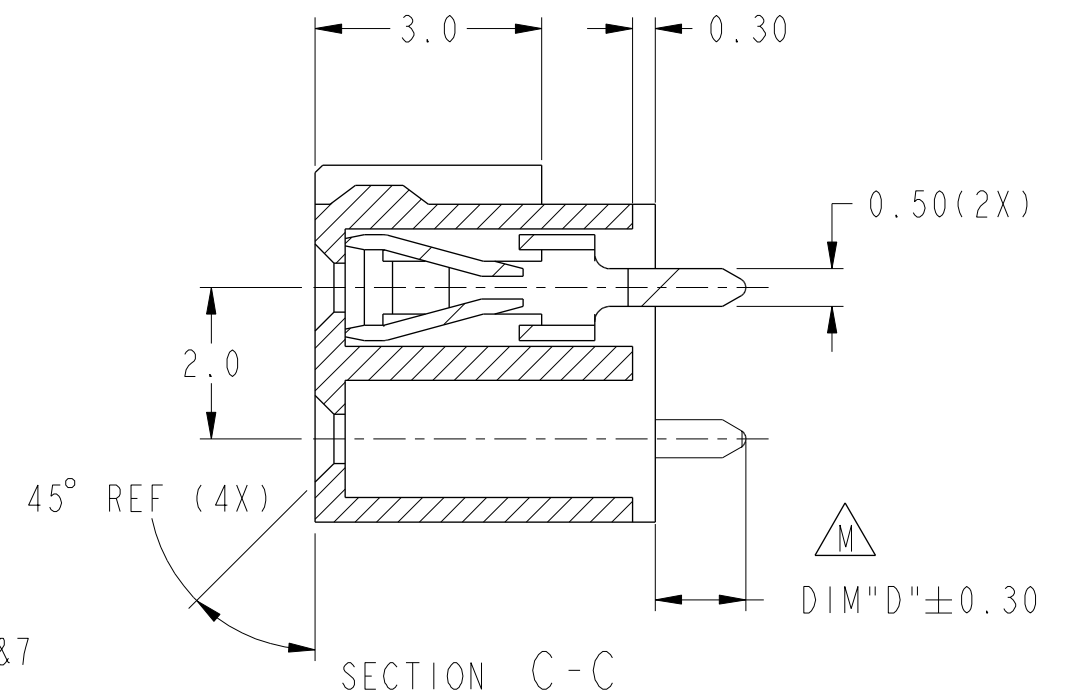
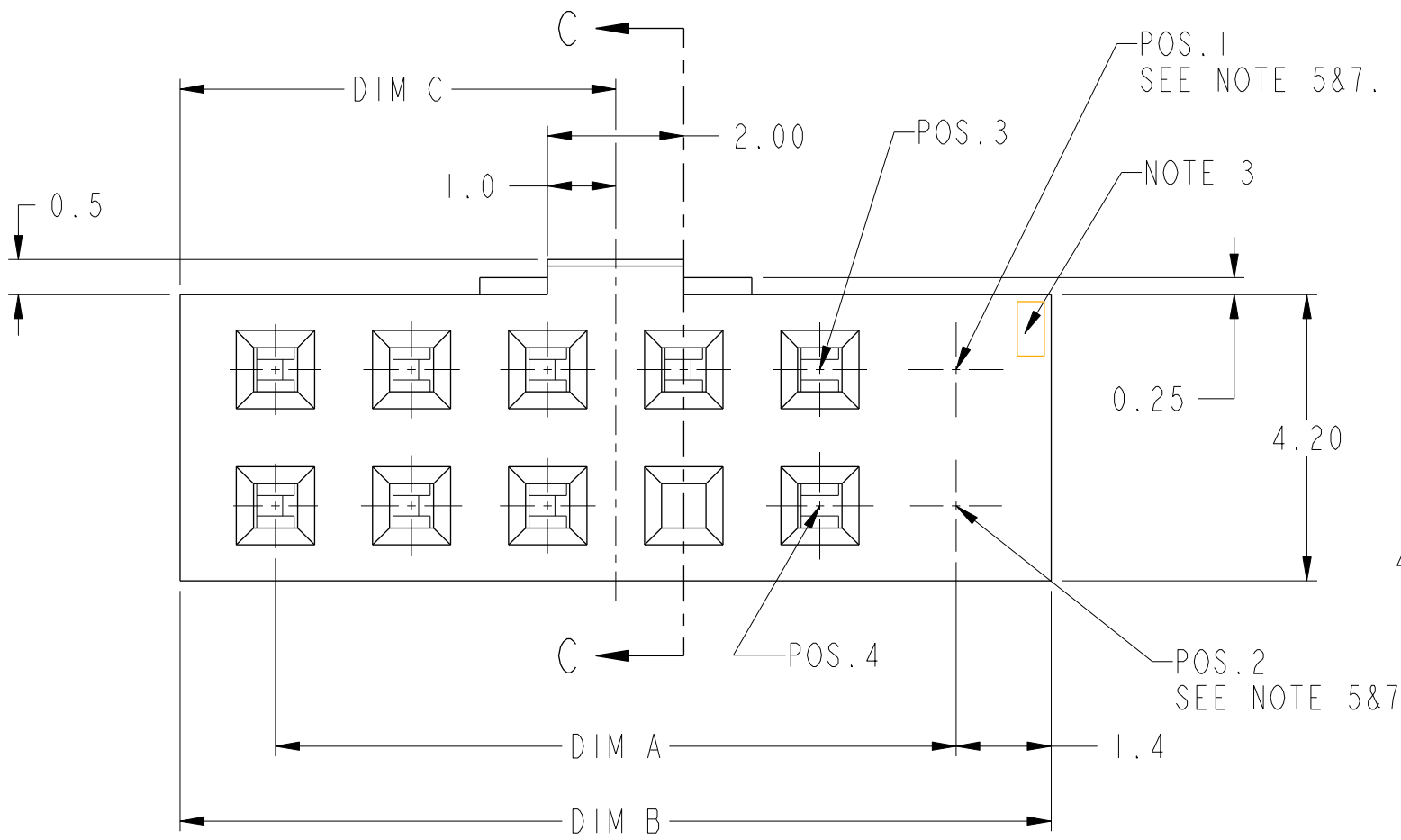


1 2 3 4

A



B









C

D

Ampnenol
FCi

© 2016 APCI

spec ref	-	dr	JAN	Yuan-Yuan Bao	2010/10/27	projection	MM	size	A3	scale	ELX-N-31381-1
tolerance std	ISO 406 ISO 1101	eng	AND	Tim Yao	2018/09/28			ecn no	Released		
TOLERANCES UNLESS OTHERWISE SPECIFIED		chr	AND	Tim Yao	2018/09/28			rel level	Released		
surface	ISO 1302	appr	TAN CHEN HONG		2011-03-21	product family	MINITEK		rel level	Released	
linear angular	0.X ±0.25 0.XX ±0.13 0.XXX ±0.05	Amphenol FCi www.fci.com				title POL. MINITEK VCC WITH LATCHING	cat. no.	product Customer Drw	status Released	sheet 1 of 2	rev N
		0° ±3°	PDS: Rev: N	Product:	STATUS: Released	Printed: May 31, 2019					

1		2				3			4	
PRODUCT NO. NOTE 8	POS.	DIM A	DIM B	DIM C	DIM D	POL. POS	TERM. DELETED	COLOR	PLATING	DESCRIPTION SEE NOTE 4
63440-X01	2 X 16	30.00	32.80	16.40	1.20	1,2,31,32	1,2,31,32	BEIGE	0	0.2µm/ 8µ" Au
63440-X02	2 X 3	4.00	6.80	3.40	1.20	3	3	BEIGE	1	0.76µm/ 30µ" Au
63440-X03	2 X 16	30.00	32.80	16.40	1.20	1,31	1,31	BEIGE	2	UNASSIGNED
63440-X04	2 X 3	4.00	6.80	3.40	1.20	3	3,4	BEIGE	3	0.38µm/ 15µ" Au
63440-X05	2 X 6	10.00	12.80	6.40	1.20	1,2,11,12	1,2,11,12	BEIGE		
63440-X06	2 X 11	20.00	22.80	11.40	2.50	3,4 	3,4 	BLACK		
63440-X07	2 X 16	30.00	32.80	16.40	2.50	11,12 	11,12 	BLACK		
63440-X08	2 X 17	32.00	34.80	17.40	2.50	17 	17 	BLACK		

NOTES:

- HOUSING: HIGH TEMPERATURE THERMAL PLASTIC, UL 94V-0
- TERMINAL MATERIAL: COPPER ALLOY
- SITE CODE TO BE LOCATED AS SHOWN.
- PLATING: Au OVER 1.27µm/50µ" Ni AT CONTACT.
- POLARISED POS REFER TO TABLE. SEE FIG.1 FOR SECTIONAL VIEW.
- TERMINALS TO BE DELETED REFER TO TABLE FOR POS.
- POLARISED AND TERMINAL DELETED IN THE SAME POSITION REFER TO FIGURE2.

8) PRODUCT DESCRIPTION CODE:

XXXXX-XXXLF

- LEAD FREE (SEE NOTES 9 & 13)
- TOTAL POSITIONS
- CONTACT AREA PLATING
- BASE NUMBER

9) SOLDER TAIL PLATING:

a) SOLDER TAIL OF P/N:63440-XXXLF IS 100% MATTE TIN PLATED.

10. PACKAGE: 63440-XXXLF STANDARD PACKAGE IN TUBE
63440-XXXTRNLF PACKAGE IN TAPE & REEL W/O CAP

11 THE HOUSING WILL WITHSTAND EXPOSURE TO 250°C PEAK TEMPERATURE FOR 10 SECONDS IN A CONVECTION, INFRA-RED OR VAPOR PHASE REFLOW OVEN.

12 THE HOUSING WILL WITHSTAND EXPOSURE TO 260°C PEAK TEMPERATURE FOR 10 SECONDS IN A WAVE SOLDER APPLICATION WITH A 1.57MM MINIMUM THICK CIRCUIT BOARD.

13) THIS PRODUCT MEETS EUROPEAN UNION DIRECTIVES AND OTHER COUNTRY REGULATIONS AS DESCRIBED IN GS-22-008.

14 A  SYMBOL WILL BE NEXT TO ANY DIMENSION, VIEW OR NOTE WHICH HAS BEEN MODIFIED WITH THE CURRENT DRAWING REVISION.

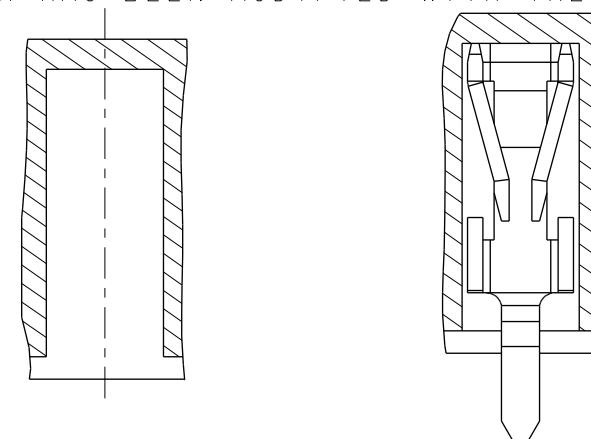
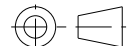


FIG. 1

dr	JAN	Yuan-Yuan Bao	2018/09/28	projection	MM	size	A3	scale	ELX-N-31381-1
eng	AND					ecn no		Released	
chr	AND	Tim Yao	2018/09/28			rel level		Released	
appr	TAN CHEN HONG		2011-03-21	product family	MINITEK				
Amphenol FCI		POL. MINITEK VCC			dwg no	63440		rev	N
www.fci.com		WITH LATCHING			cat. no.	PDS: Rev :N		Product - Customer Drw	sheet 2 of 2
					STATUS: Released		Printed: May 31, 2019		

Ampnenol FCI

© 2016 AFCI